



US00D933562S

(12) **United States Design Patent**
Lee

(10) **Patent No.:** **US D933,562 S**
(45) **Date of Patent:** **** Oct. 19, 2021**

- (54) **AUTOMOTIVE WHEEL**
- (71) Applicant: **MKW Alloy, Inc.**, City of Industry, CA (US)
- (72) Inventor: **Kevin Lee**, Yorba Linda, CA (US)
- (73) Assignee: **MKW Alloy, Inc.**, City of Industry (CA)
- (**) Term: **15 Years**
- (21) Appl. No.: **29/702,900**
- (22) Filed: **Aug. 22, 2019**
- (51) **LOC (13) Cl.** **12-16**
- (52) **U.S. Cl.**
USPC **D12/209**
- (58) **Field of Classification Search**
USPC D12/204-213; D21/563
CPC B60B 7/00; B60B 7/02; B60B 7/04; B60B 7/01; B60B 7/06; B60B 3/02; B60B 3/04; B60B 3/06; B60B 3/10; B60B 1/00; B60B 1/08; B60B 1/10; B60B 1/12
See application file for complete search history.

| | | | |
|--------------|---------|-----------------|---------|
| D524,215 S * | 7/2006 | Guevara | D12/211 |
| D555,066 S * | 11/2007 | Hernandez | D12/211 |
| D582,828 S * | 12/2008 | Young | D12/211 |
| D736,134 S * | 8/2015 | Platto | D12/211 |
| D749,486 S * | 2/2016 | Huang | D12/211 |
| D751,480 S * | 3/2016 | Chung | D12/209 |
| D758,945 S * | 6/2016 | Zhao | D12/211 |
| D782,950 S * | 4/2017 | Hatton | D12/209 |
| D817,844 S * | 5/2018 | Hale, Jr. | D12/209 |
| D856,245 S * | 8/2019 | Hale, Jr. | D12/209 |
| D867,254 S * | 11/2019 | Zhao | D12/209 |
| D879,692 S * | 3/2020 | Zhao | D12/209 |
| D888,637 S * | 6/2020 | Zhao | D12/209 |
| D888,638 S * | 6/2020 | Zhao | D12/209 |
| D889,358 S * | 7/2020 | Williams | D12/209 |
| D894,076 S * | 8/2020 | Lee | D12/209 |
| D902,819 S * | 11/2020 | Han | D12/209 |
| D912,597 S * | 3/2021 | Sempek | D12/211 |

* cited by examiner

Primary Examiner — Stacia A Cadmus

(74) *Attorney, Agent, or Firm* — Ahn IP Law

(57) **CLAIM**

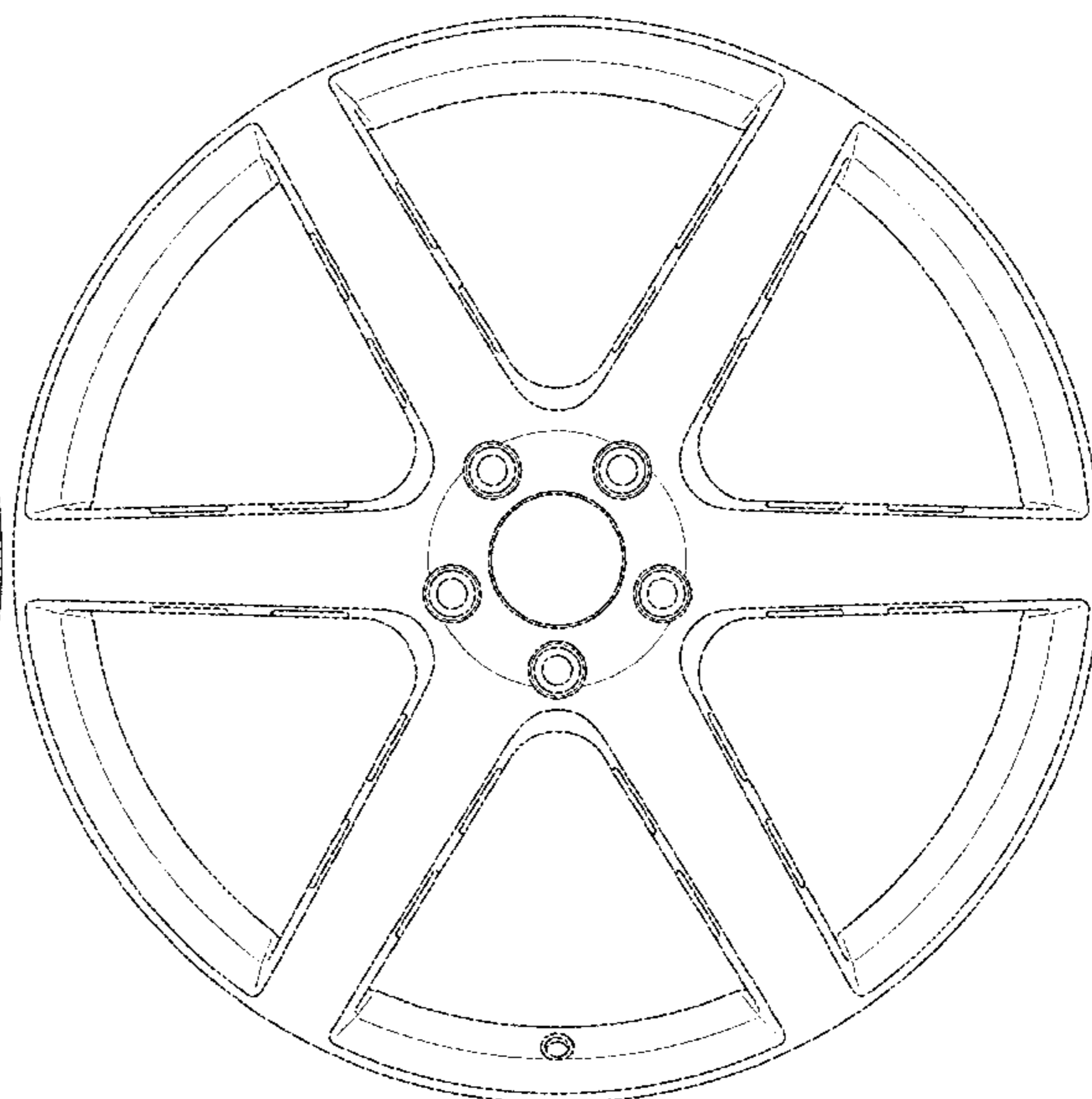
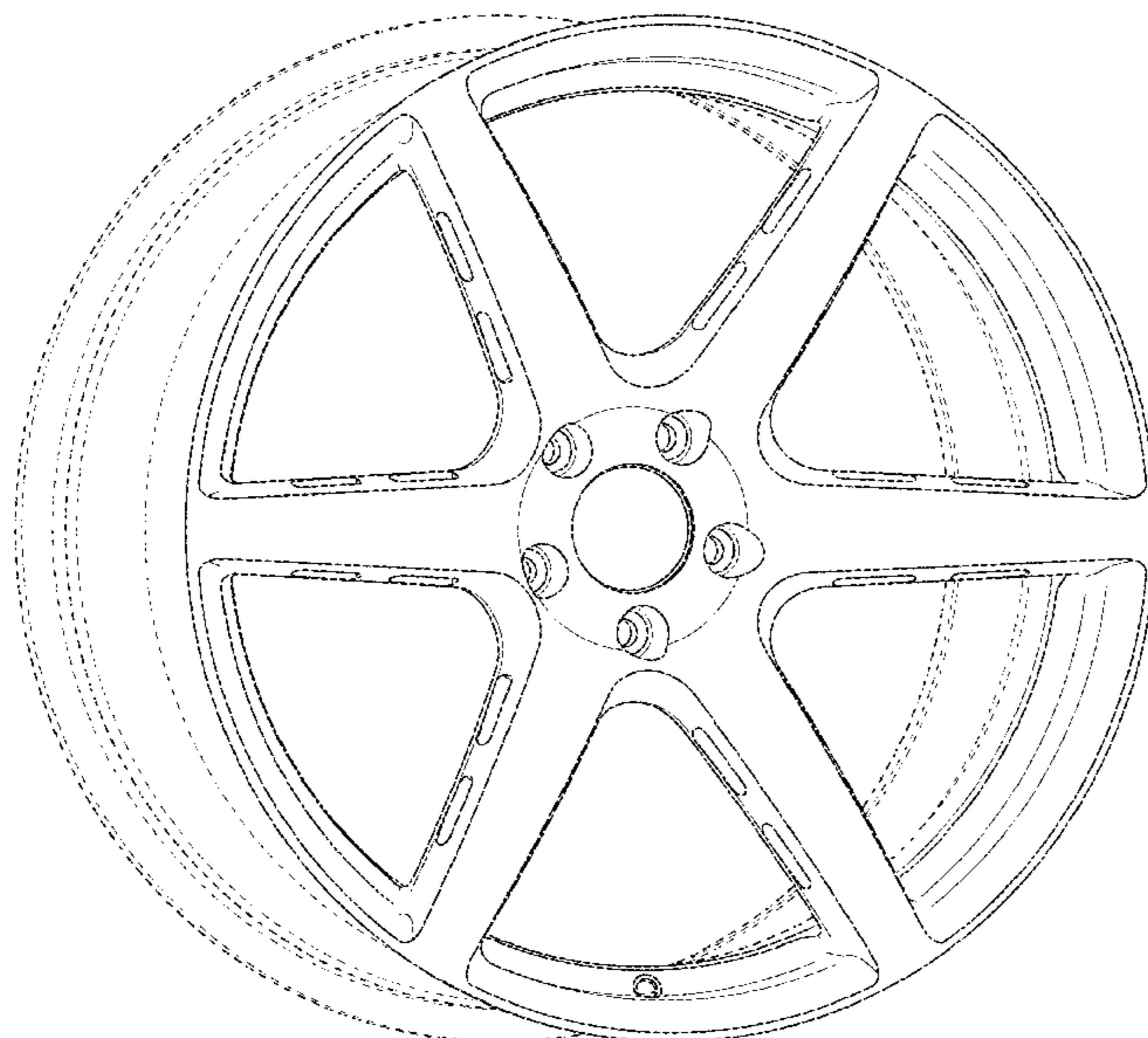
The ornamental design for an automotive wheel, as shown and described.

DESCRIPTION

FIG. 1 is a perspective view of an automotive wheel; and, FIG. 2 is a front view of the automotive wheel. In the drawings the broken lines depict portions of the wheel that form no part of the claimed design.

1 Claim, 2 Drawing Sheets

- (56) **References Cited**
U.S. PATENT DOCUMENTS
- D481,984 S * 11/2003 Sulahian D12/211
- D488,763 S * 4/2004 Takechi D12/211
- D493,133 S * 7/2004 Bernoni D12/211
- D516,980 S * 3/2006 Scheu D12/209



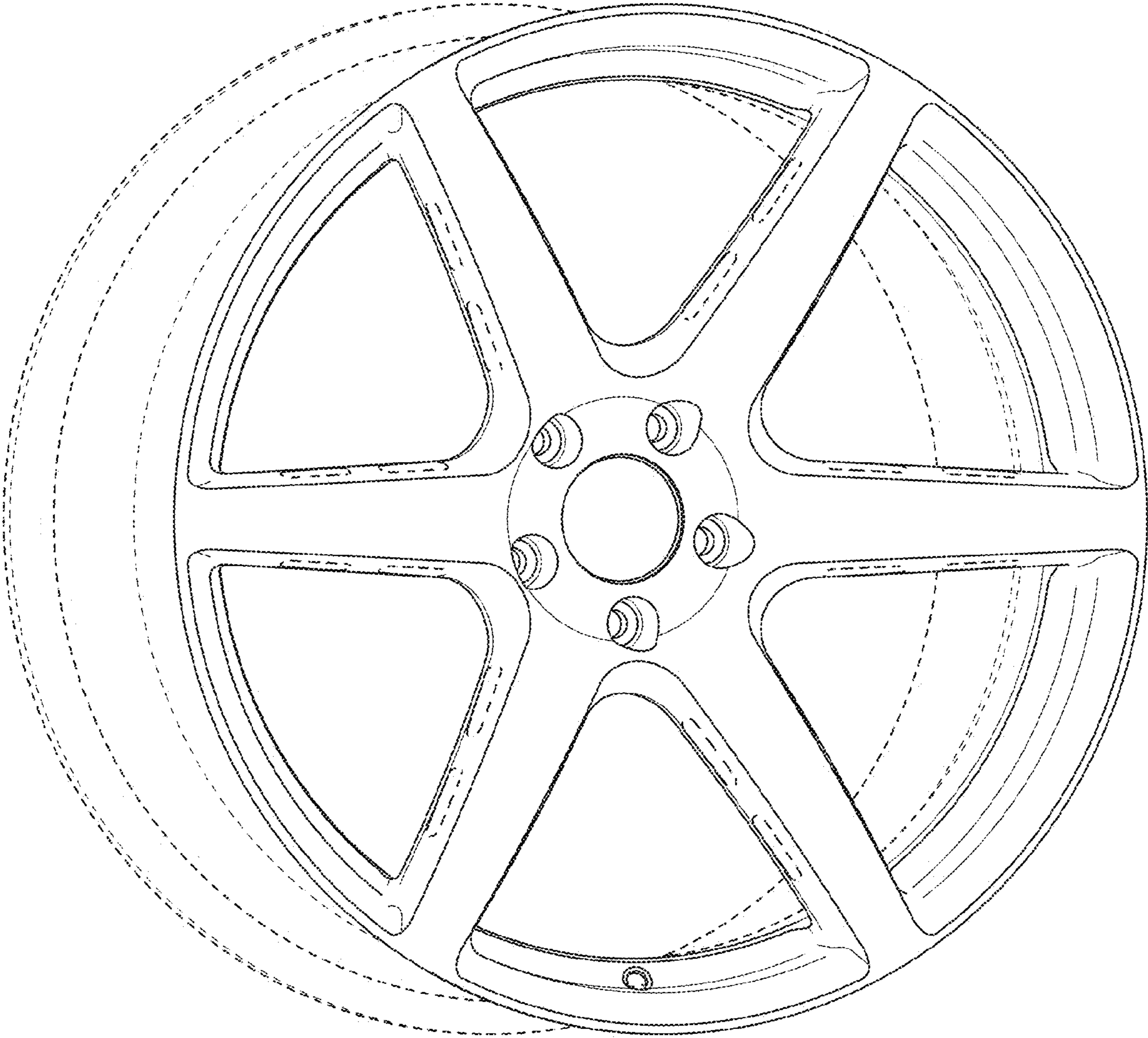


FIG. 1

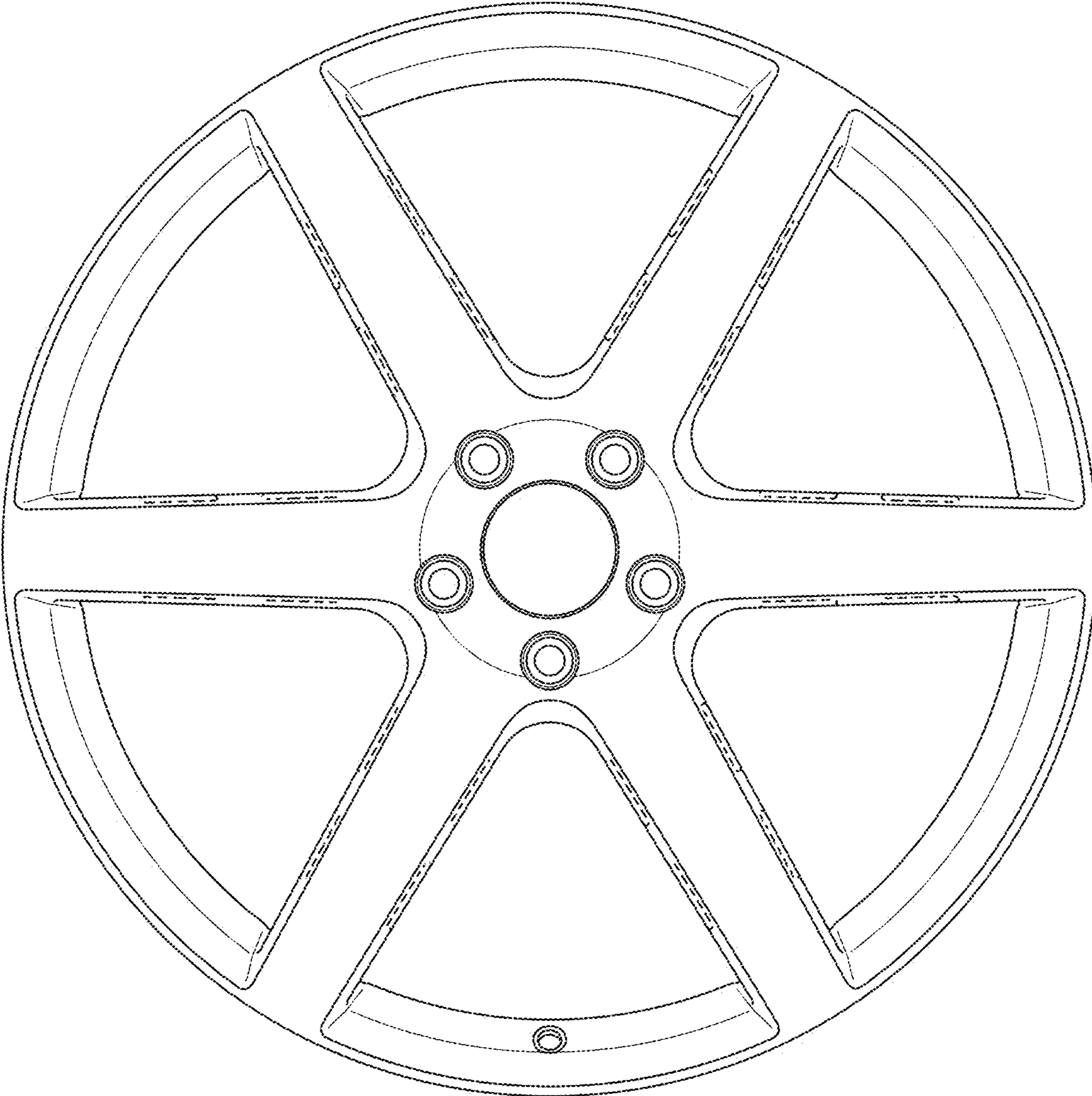


FIG. 2