



US00D933560S

(12) **United States Design Patent** (10) **Patent No.:** **US D933,560 S**  
**Williams** (45) **Date of Patent:** **\*\* Oct. 19, 2021**

(54) **TRUCK RUNNING BOARD**  
(71) Applicant: **K&N Engineering, Inc.**, Riverside, CA (US)  
(72) Inventor: **Steve Williams**, Cherry Valley, CA (US)  
(73) Assignee: **K&N Engineering, Inc.**, Riverside, CA (US)  
(\*\*) Term: **15 Years**  
(21) Appl. No.: **29/682,327**  
(22) Filed: **Mar. 4, 2019**  
(51) **LOC (13) Cl.** ..... **12-16**  
(52) **U.S. Cl.**  
USPC ..... **D12/203**  
(58) **Field of Classification Search**  
USPC ..... D12/203, 98, 314, 162, 190, 196  
CPC .. B60R 3/002; B60R 3/02; B60R 3/00; B60R 3/005; B60R 3/007  
See application file for complete search history.

D632,627 S \* 2/2011 Huang-Tsai ..... D12/203  
D676,368 S \* 2/2013 Cover ..... D12/203  
D737,188 S \* 8/2015 Perkins ..... D12/203  
D738,803 S \* 9/2015 Zhu ..... D12/203  
D789,857 S \* 6/2017 Hare ..... D12/203  
D789,858 S \* 6/2017 Hare ..... D12/203  
D794,525 S \* 8/2017 Chen ..... D12/203  
D805,986 S \* 12/2017 Chi ..... D12/203  
D813,135 S \* 3/2018 Baeza ..... D12/203  
D817,838 S \* 5/2018 Dionisopoulos ..... D12/203  
D818,923 S \* 5/2018 Baeza ..... D12/203  
D818,924 S \* 5/2018 Baeza ..... D12/203  
D840,309 S \* 2/2019 Huang ..... D12/203

\* cited by examiner

*Primary Examiner* — Michelle E. Wilson  
*Assistant Examiner* — Clese Moore, Jr.  
(74) *Attorney, Agent, or Firm* — Rutan & Tucker LLP;  
Hani Z. Sayed

(57) **CLAIM**

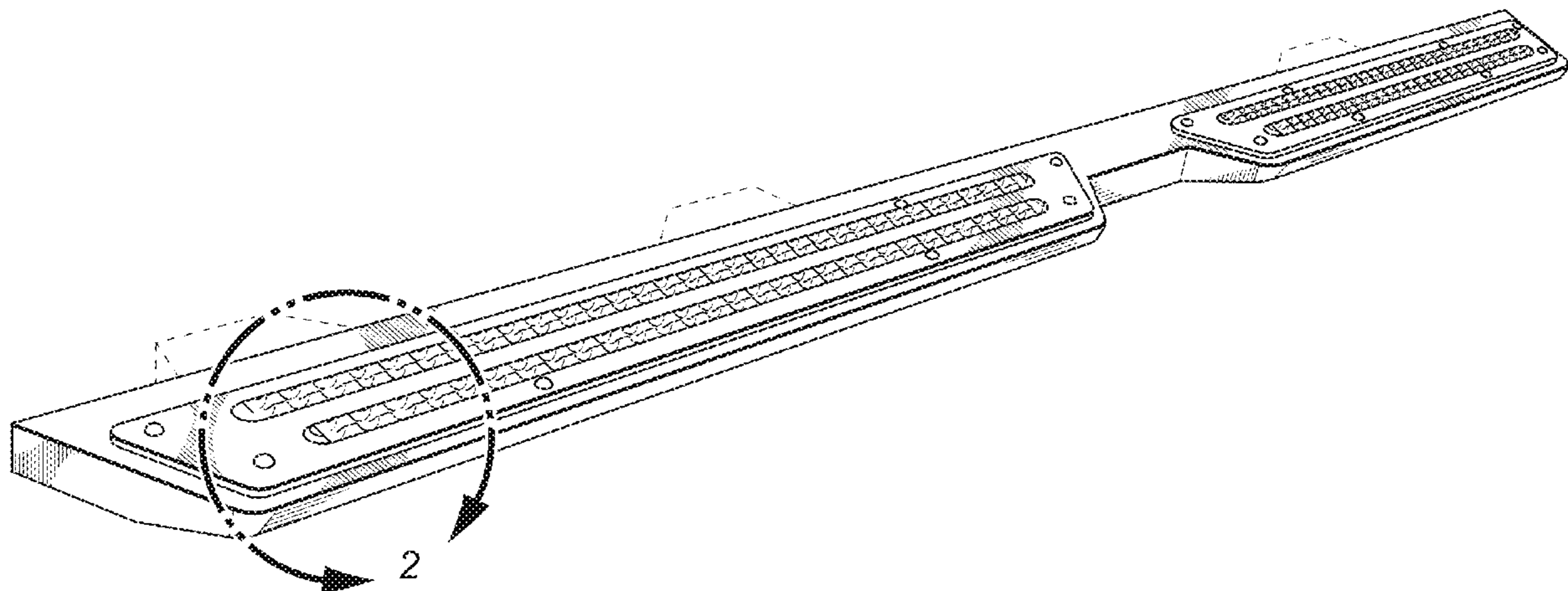
The ornamental design for an truck running board, as shown and described.

**DESCRIPTION**

FIG. 1 is a Top, front, left side perspective view of a truck running board showing the present invention;  
FIG. 2 is a partially enlarged detail view of the encircled portion illustrated in FIG. 1;  
FIG. 3 is a front view thereof;  
FIG. 4 is a rear view thereof;  
FIG. 5 is a right side elevation view thereof; with the left side being a mirror image;  
FIG. 6 is a top plan view thereof; and,  
FIG. 7 is a bottom plan view thereof.  
The broken lines shown illustrates portions of the truck running board that form no part of the claimed design.

**1 Claim, 5 Drawing Sheets**

(56) **References Cited**  
U.S. PATENT DOCUMENTS  
D349,678 S \* 8/1994 Waddington ..... D12/203  
D351,128 S \* 10/1994 Waddington ..... D12/203  
D400,149 S \* 10/1998 Zentner ..... D12/203  
D400,151 S \* 10/1998 Zentner ..... D12/203  
D400,485 S \* 11/1998 Zentner ..... D12/203  
D434,711 S \* 12/2000 McQuiston ..... D12/203  
D436,336 S \* 1/2001 Sadr ..... D12/203  
D473,178 S \* 4/2003 Schumacher ..... D12/203  
D488,759 S \* 4/2004 Hattori ..... D12/203  
D535,928 S \* 1/2007 Crandall ..... D12/203  
D559,755 S \* 1/2008 Ito ..... D12/203  
D596,097 S \* 7/2009 Huang-Tsai ..... D12/203  
D596,098 S \* 7/2009 Huang-Tsai ..... D12/203



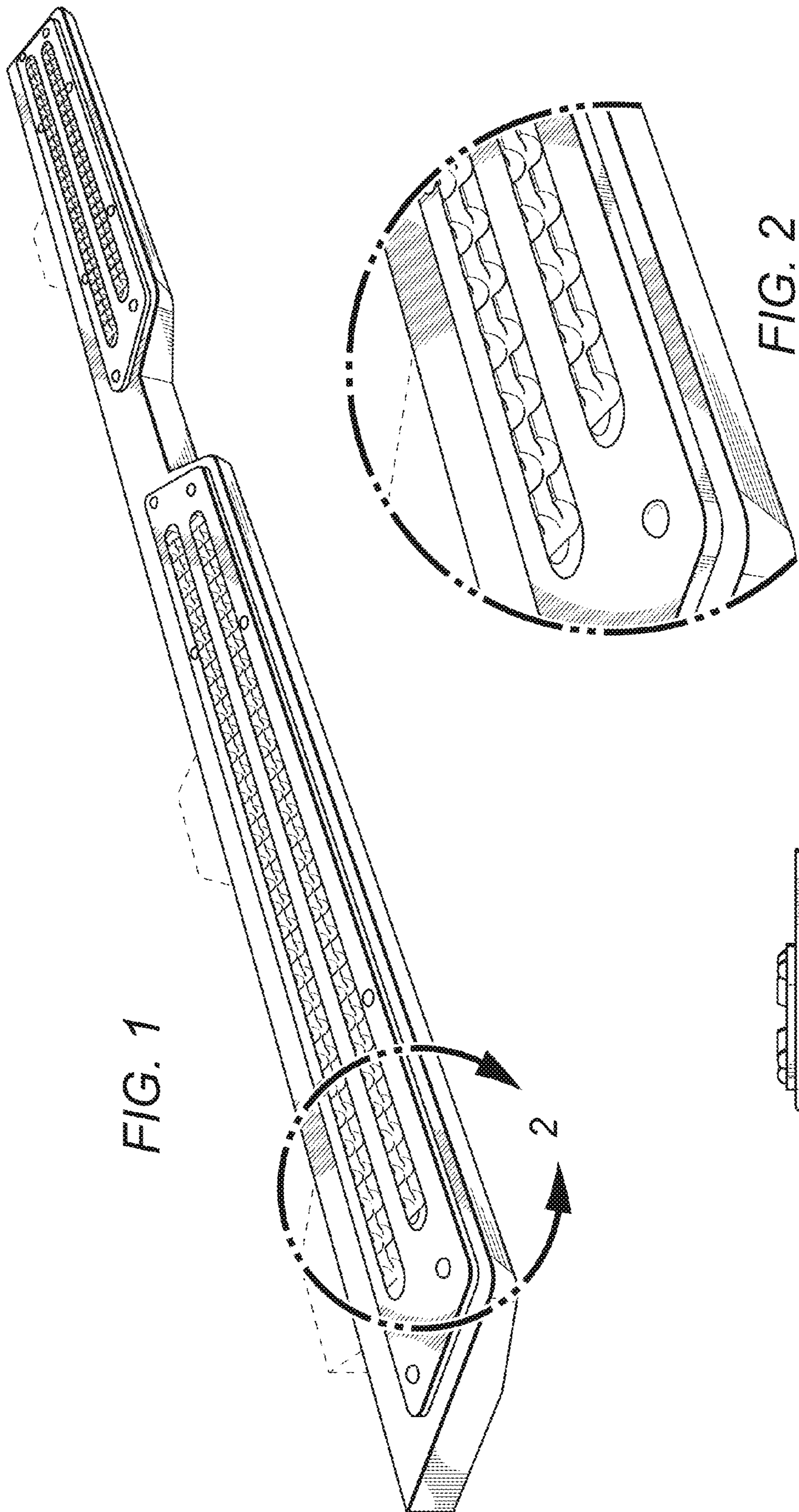


FIG. 2

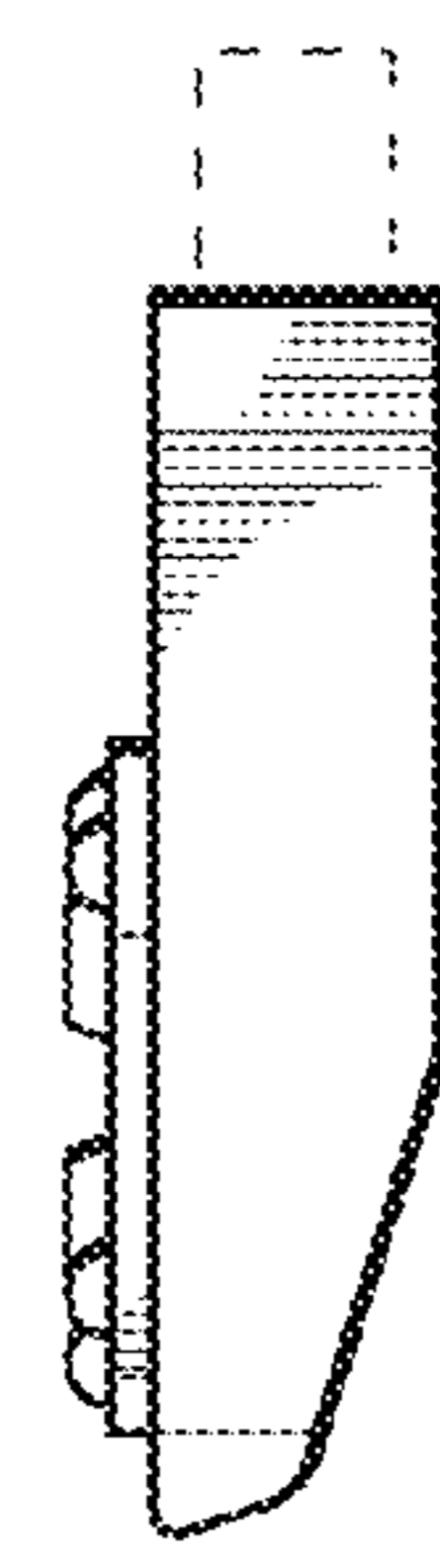


FIG. 5



FIG. 3



FIG. 4

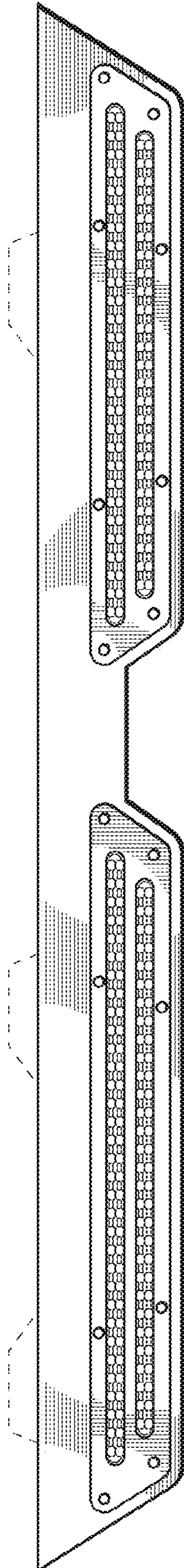


FIG. 6

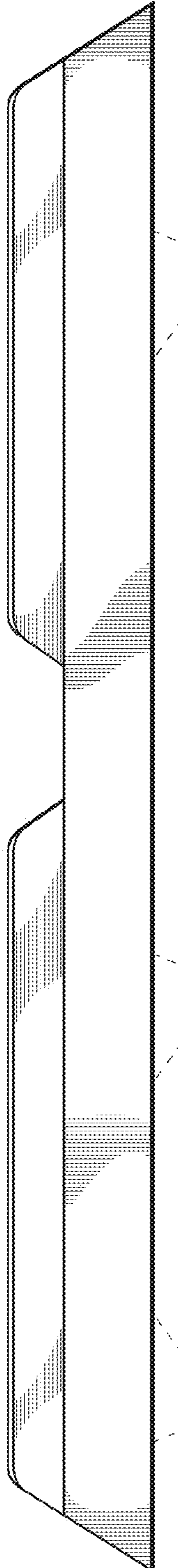


FIG. 7