



US00D933558S

(12) **United States Design Patent** (10) **Patent No.:** **US D933,558 S**
Akrapovic et al. (45) **Date of Patent:** **** *Oct. 19, 2021**

(54) **PAIR OF TAILPIPES**

(71) Applicant: **Igor Akrapovic**, Ljubljana (SI)
(72) Inventors: **Igor Akrapovic**, Ljubljana (SI); **Ermin Kosovel**, Zgornje Gorje (SI); **Uroš Javh**, Ljubljana (SI); **Mitja Kralj**, Ivančna Gorica (SI); **Marko Besal**, Smarjeske Toplice (SI); **Martin Trobec**, Ljubljana (SI); **Jožef Balažic**, Trzin (SI); **Andrej Muhič**, Novo Mesto (SI); **Matej Bulc**, Ljubljana (SI)

(*) Notice: This patent is subject to a terminal disclaimer.

(**) Term: **15 Years**

(21) Appl. No.: **35/509,105**

(22) Filed: **Apr. 19, 2019**

(80) **Hague Agreement Data**

Int. Filing Date: **Apr. 19, 2019**
Int. Reg. No.: **DM/207042**
Int. Reg. Date: **Apr. 19, 2019**
Int. Reg. Pub. Date: **Apr. 17, 2020**

(30) **Foreign Application Priority Data**

Oct. 25, 2018 (EM) 005808409

(51) **LOC (13) Cl.** **12-16**

(52) **U.S. Cl.**
USPC **D12/194**

(58) **Field of Classification Search**
USPC D12/194; D15/5
CPC ... F01N 1/04; F01N 1/24; F01N 13/08; F01N 13/082; F01N 13/085; F01N 13/087
See application file for complete search history.

(56) **References Cited**

U.S. PATENT DOCUMENTS

4,537,278 A * 8/1985 Okada F01N 1/082
181/227
4,696,368 A * 9/1987 Hummel F01N 13/082
180/287
5,200,582 A * 4/1993 Kraai, Jr. F01N 1/02
181/256
D435,815 S * 1/2001 Larson D12/169
D473,175 S * 4/2003 Gilli D12/194
D488,114 S * 4/2004 Kulla D12/194
7,007,720 B1 * 3/2006 Chase F16L 59/12
138/110
D534,469 S * 1/2007 Murkett D12/194
D539,715 S * 4/2007 Lai D12/194
D540,231 S * 4/2007 Braun D12/194
D553,062 S * 10/2007 Murkett D12/194

(Continued)

Primary Examiner — Darlington Ly
(74) *Attorney, Agent, or Firm* — Olson & Cepuritis, Ltd.;
Shawn E. Duckworth, Esq.

(57) **CLAIM**

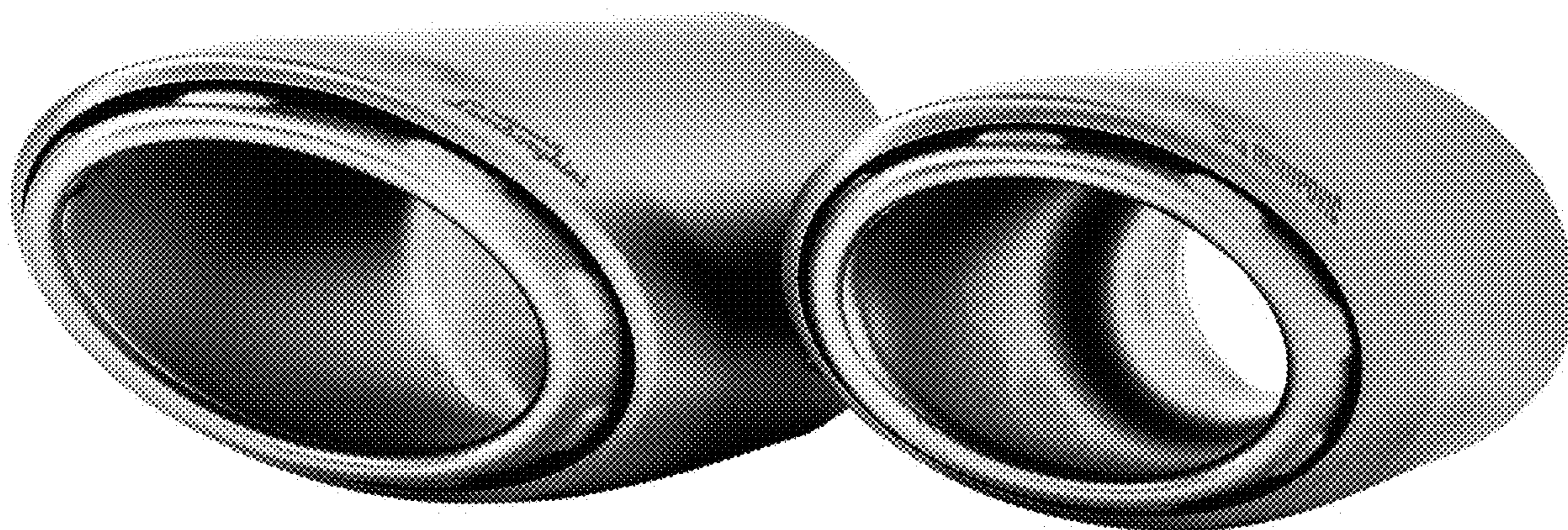
The ornamental design for a pair of tailpipes, as shown and described.

DESCRIPTION

The patent or application file contains at least one drawing executed in color. Copies of this patent or patent application publication with color drawing(s) will be provided by the Office upon request and payment of the necessary fee.

- 1. Pair of tailpipes
- 1.1 is a top perspective view of a pair of tailpipes showing our new design;
- 1.2 is a right side elevation view thereof;
- 1.3 is a left side elevation view thereof;
- 1.4 is a top plan view thereof;
- 1.5 is a bottom plan view thereof;
- 1.6 is a rear elevation view thereof;

(Continued)



1.7 is a rear and left side perspective view thereof;
1.8 is a front elevation view thereof; and
1.9 is a front and right side perspective view thereof.

1 Claim, 9 Drawing Sheets
(9 of 9 Drawing Sheet(s) Filed in Color)

(56)

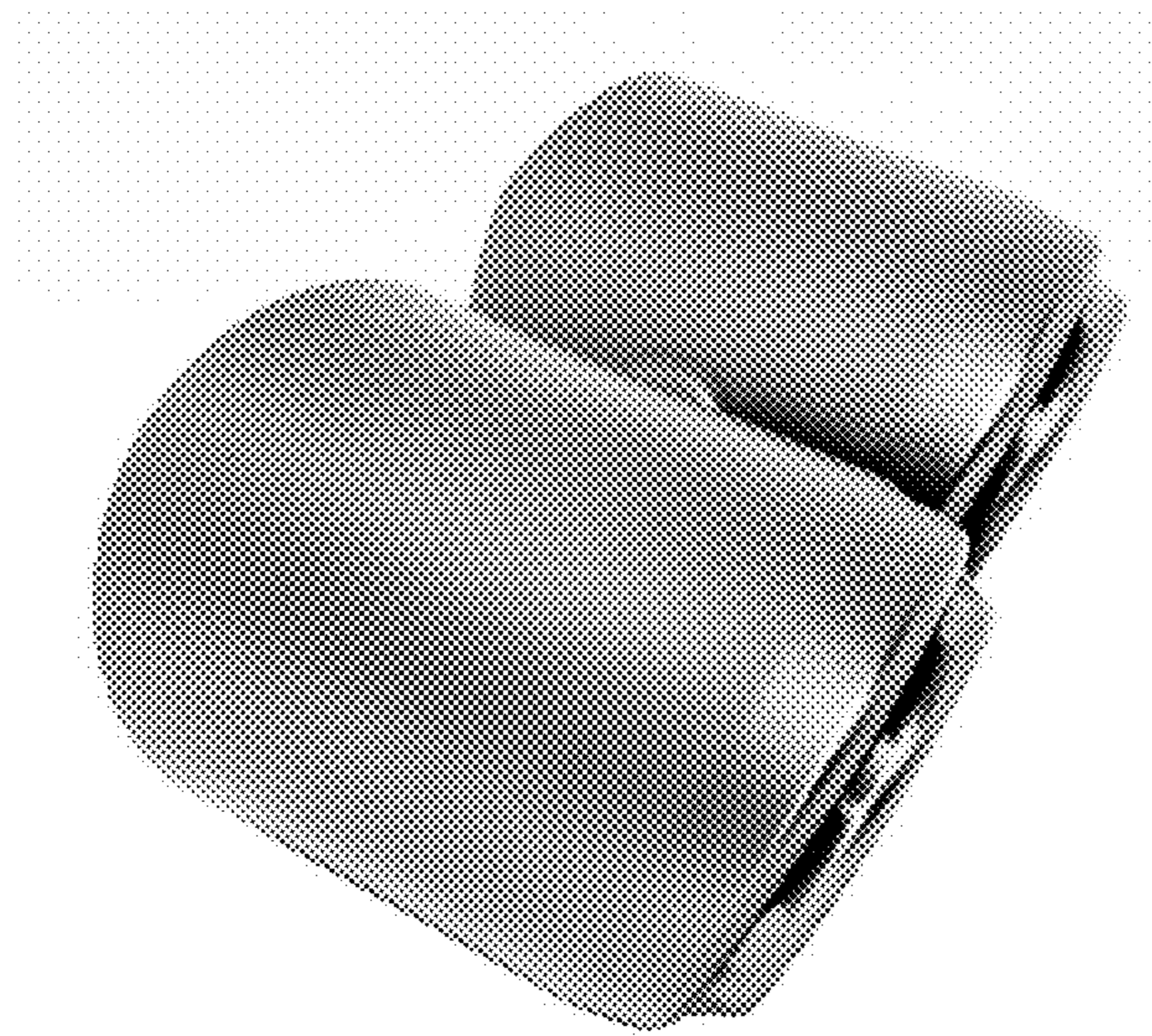
References Cited

U.S. PATENT DOCUMENTS

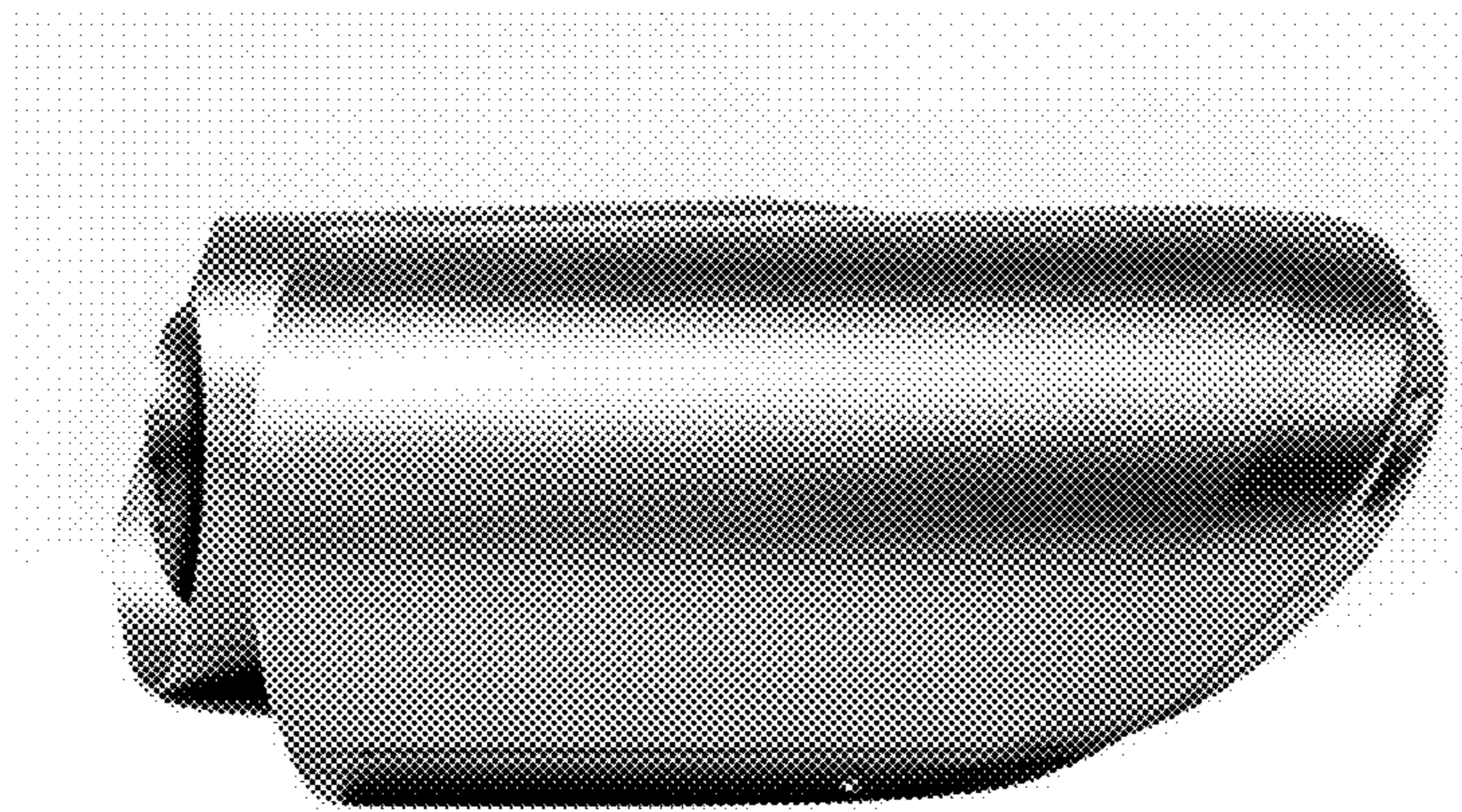
D556,660 S *	12/2007	Murkett	D12/194
D573,521 S *	7/2008	Hsu	D12/194
D597,915 S *	8/2009	Bhambra	D12/194
D600,186 S *	9/2009	Bhambra	D12/194
D618,603 S *	6/2010	Lemon	D12/194
D635,498 S *	4/2011	Lemon	D12/194
7,934,375 B2 *	5/2011	Richter	F02B 27/04 60/324
D675,141 S *	1/2013	Lemon	D12/194
D684,909 S *	6/2013	Lemon	D12/194
D758,937 S *	6/2016	Lemon	D12/194
D836,515 S *	12/2018	Akrapovic	D12/194
D911,236 S *	2/2021	Akrapovic	D12/194
2007/0291470 A1 *	12/2007	Thomson	B60Q 1/2688 362/96

* cited by examiner

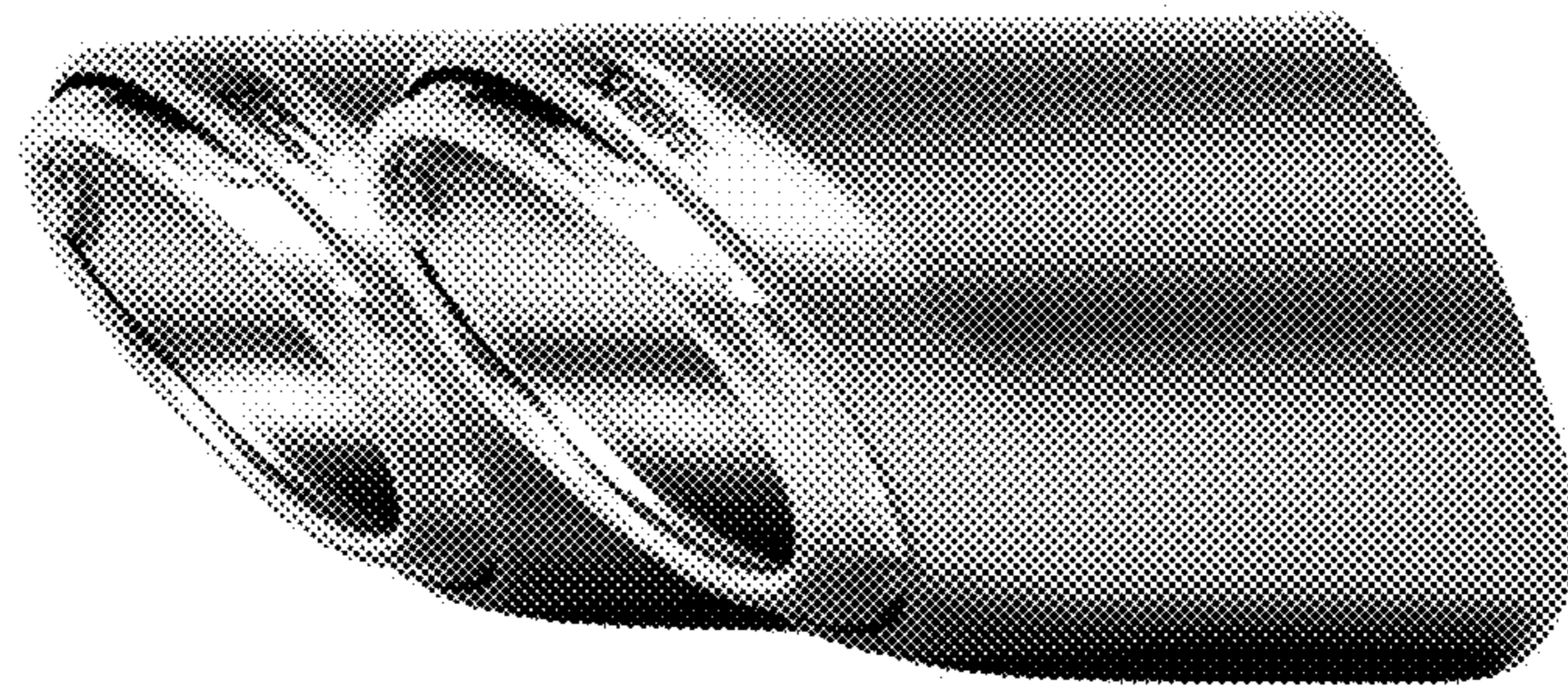
1.1



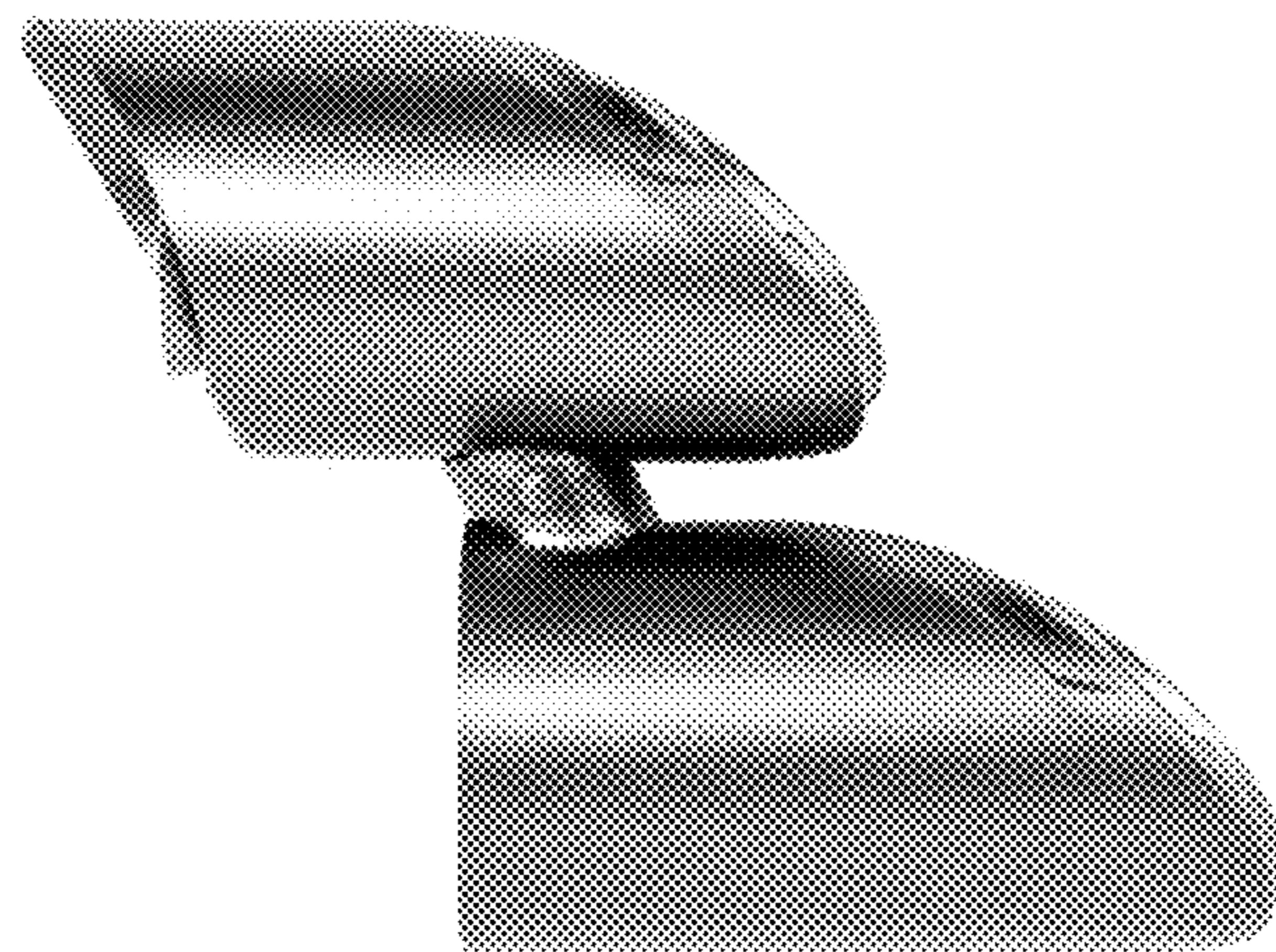
1.2



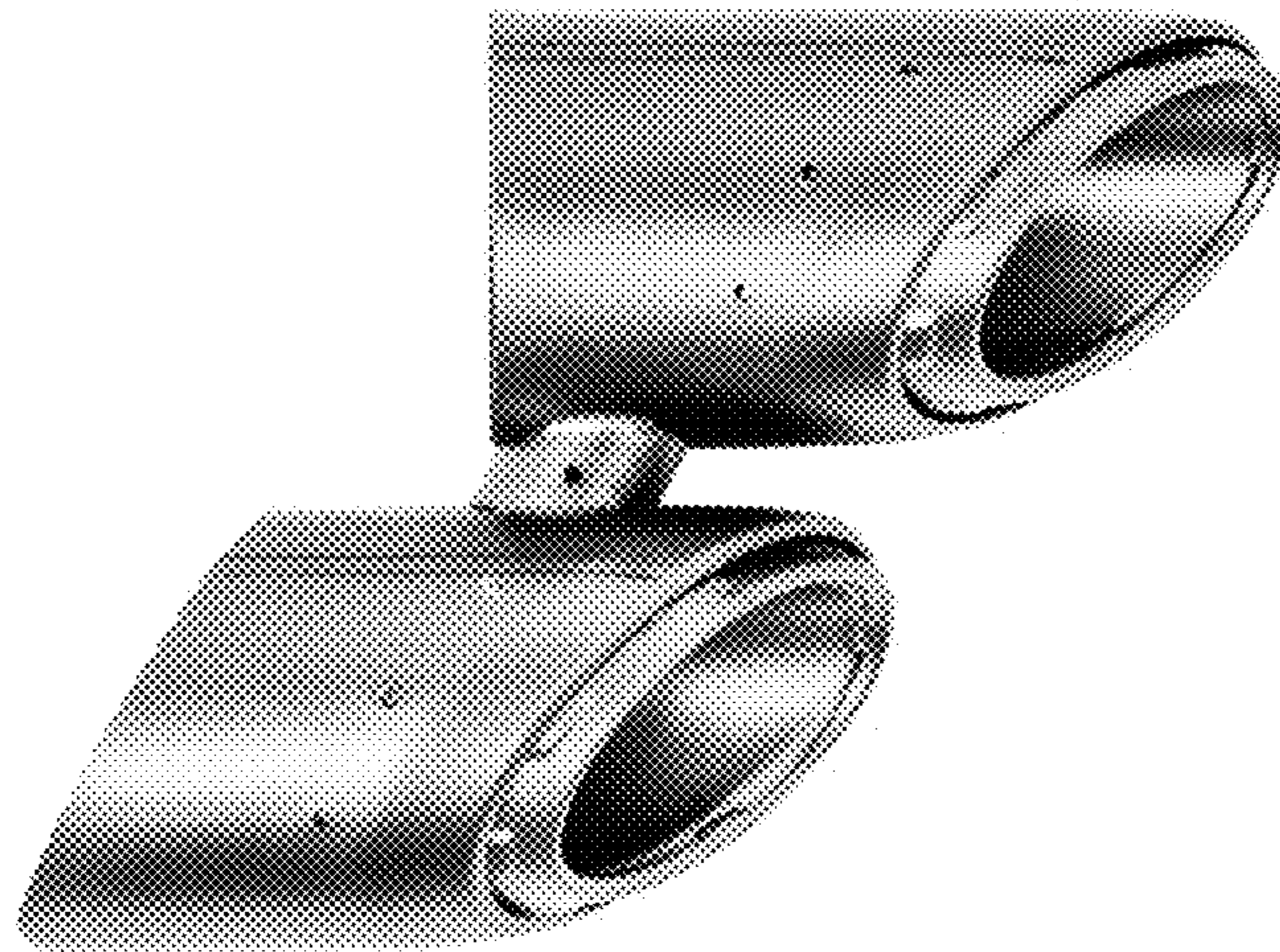
1.3



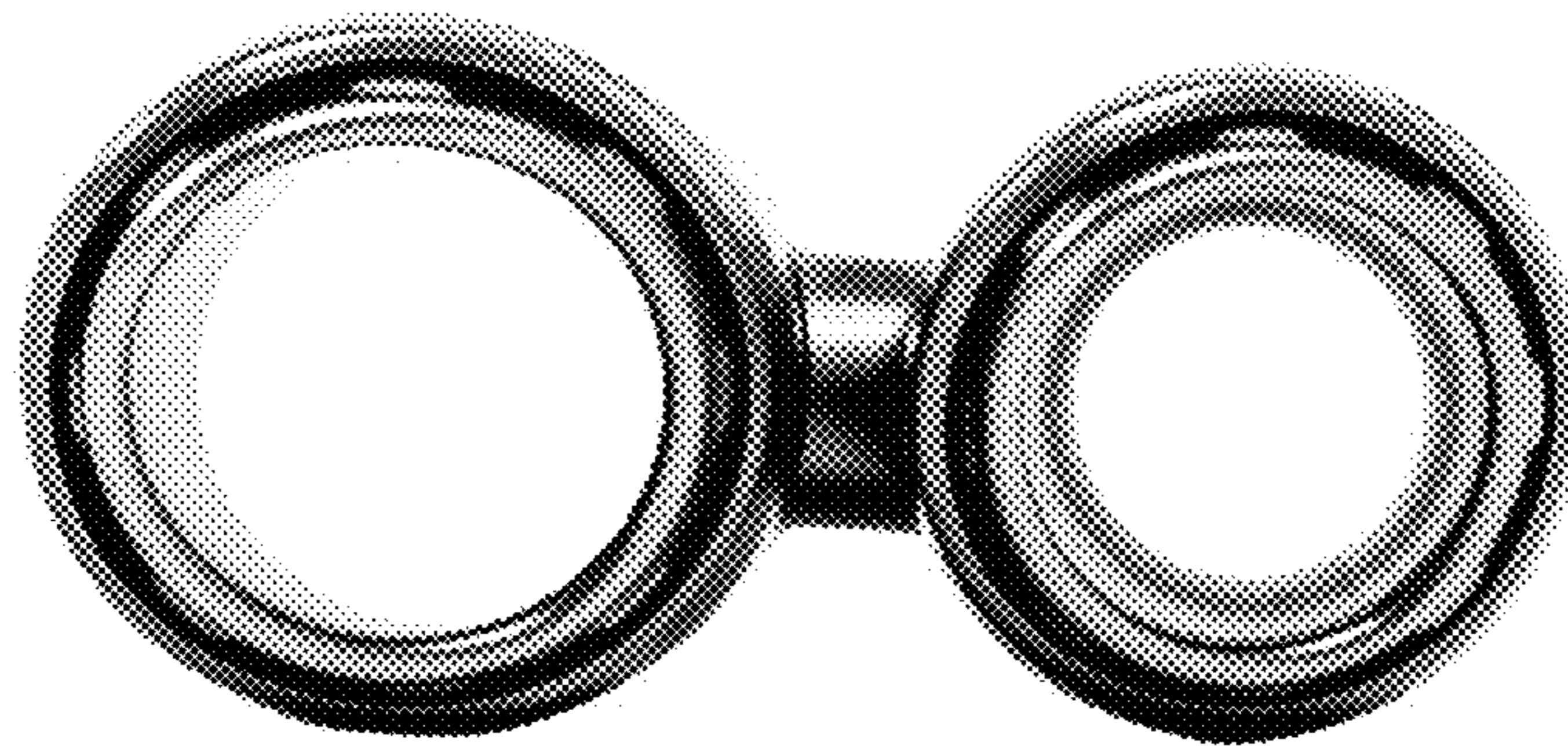
1.4



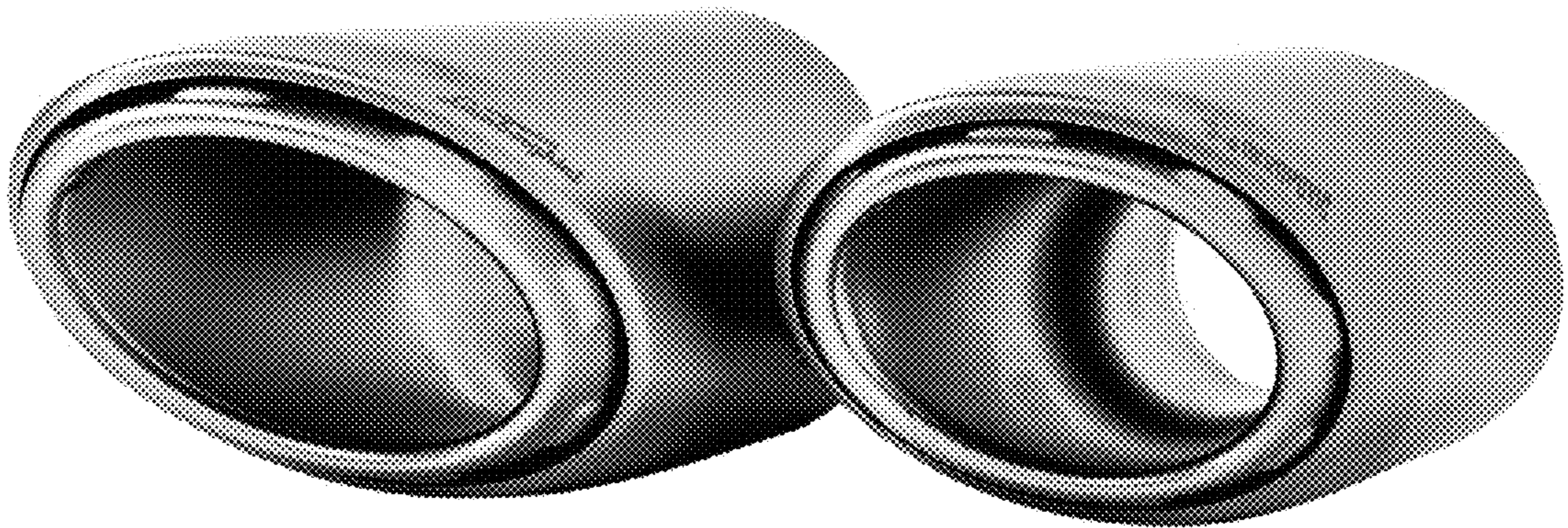
1.5



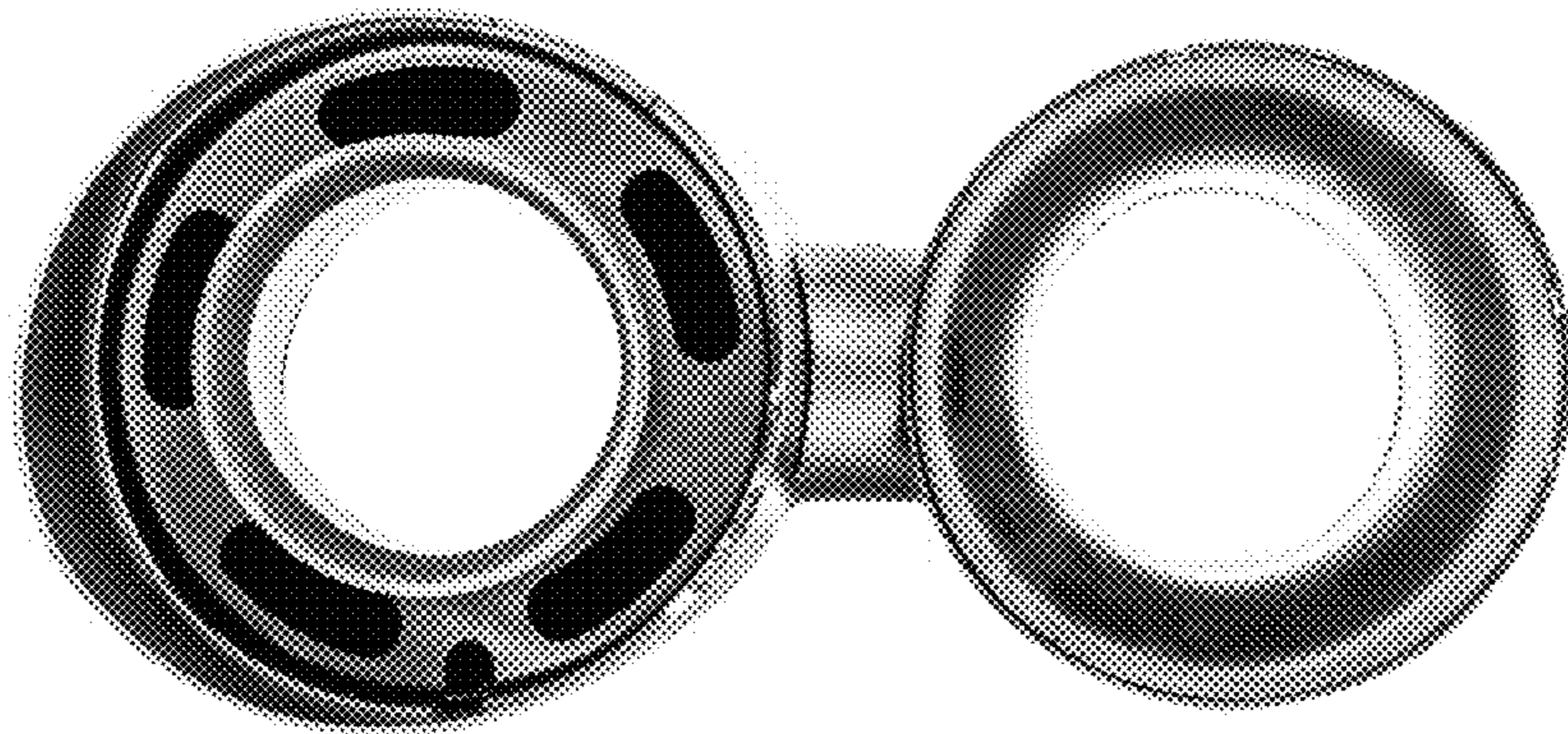
1.6



1.7



1.8



1.9

