



US00D933557S

(12) **United States Design Patent** (10) **Patent No.:** **US D933,557 S**
Zeng (45) **Date of Patent:** **** Oct. 19, 2021**

(54) **HEAD UP DISPLAY**
(71) Applicant: **Shenzhen Wins Novelty Co., Ltd,**
Shenzhen (CN)
(72) Inventor: **Meiling Zeng,** Shenzhen (CN)
(**) Term: **15 Years**
(21) Appl. No.: **29/732,415**
(22) Filed: **Apr. 24, 2020**
(51) **LOC (13) Cl.** **12-16**
(52) **U.S. Cl.**
USPC **D12/192**
(58) **Field of Classification Search**
USPC D12/192, 415, 114, 345; D14/126, 125,
D14/371, 373-377, 382, 451, 239, 127,
D14/129, 204, 210, 341, 307, 336, 300,
D14/358, 496; D15/10, 28; D34/28,
D34/34-37; D10/65, 70, 75, 46
CPC B60K 37/00; B60K 37/02; G02B 27/0149
See application file for complete search history.

D846,464 S * 4/2019 Zhao D12/192
D846,465 S * 4/2019 Zhao D12/192
D897,253 S * 9/2020 Choi D12/192
D899,985 S * 10/2020 Choi D12/192
D903,559 S * 12/2020 Tomasson D12/192
D906,205 S * 12/2020 Choi D12/192
D916,421 S * 4/2021 Niebuhr B60K 37/00
D34/35
2018/0348517 A1* 12/2018 Chen G02B 27/0149
2019/0135110 A1* 5/2019 Choi B60K 37/02

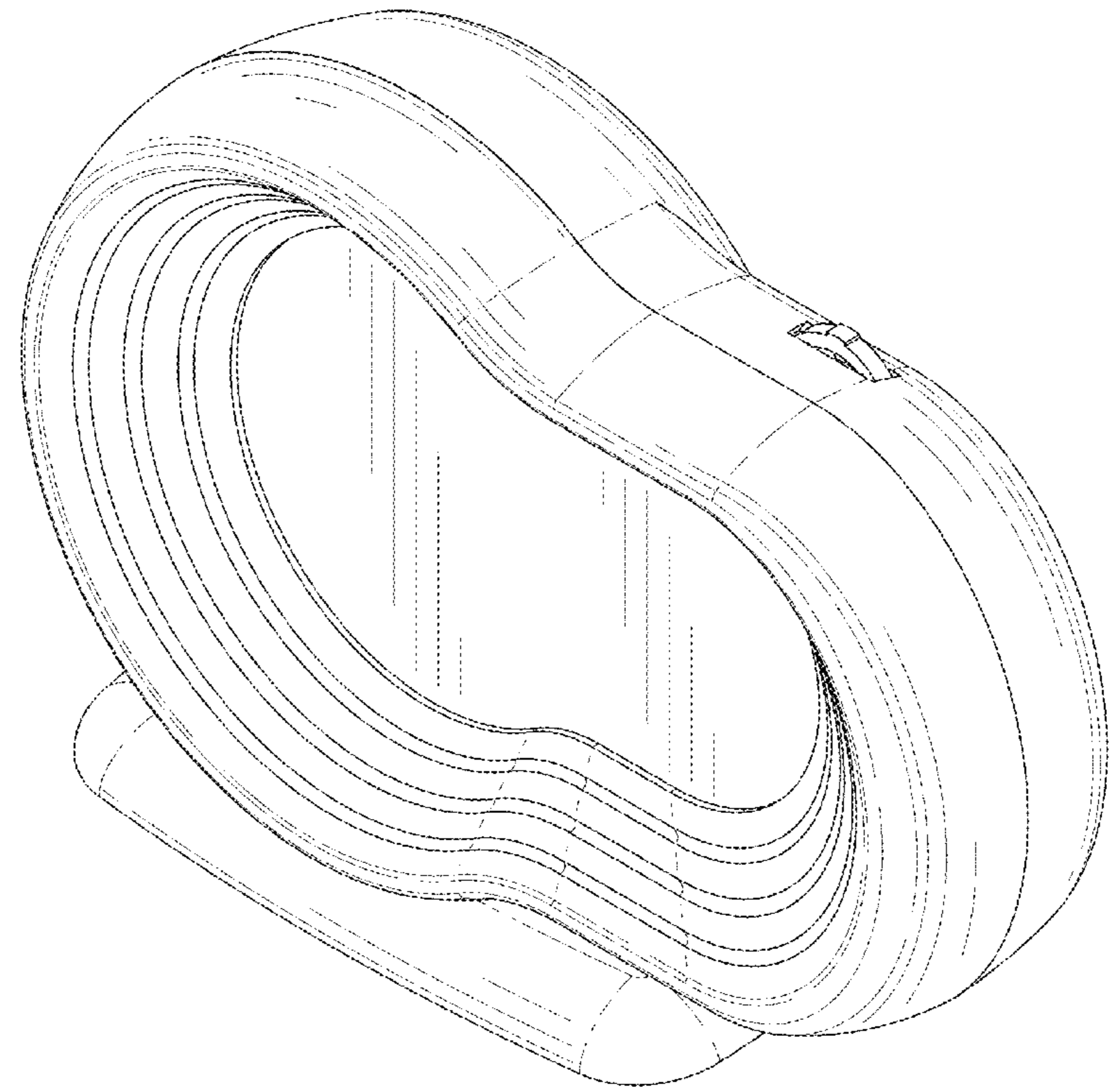
* cited by examiner
Primary Examiner — Susan E Krakower
Assistant Examiner — Jerry Shiuan-Hua Hsu

(57) **CLAIM**
The ornamental design for a head up display, as shown and described.

DESCRIPTION
FIG. 1 is a front and top perspective view of a head up display, showing my new design;
FIG. 2 is a rear and bottom perspective view thereof;
FIG. 3 is a front elevational view thereof;
FIG. 4 is a rear elevational view thereof;
FIG. 5 is a left side elevational view thereof;
FIG. 6 is a right side elevational view thereof;
FIG. 7 is a top plan view thereof;
FIG. 8 is a bottom plan view thereof; and,
FIG. 9 is an enlarged view of a portion indicated in FIG. 2.
The dash-dash broken lines illustrate portions of the article that form no part of the claimed design. The dash-dot-dash broken lines, in FIG. 2 and FIG. 9, depict boundary lines and enlarged views, which form no part of the claimed design.

1 Claim, 9 Drawing Sheets

(56) **References Cited**
U.S. PATENT DOCUMENTS
D537,002 S * 2/2007 Li D10/65
D537,003 S * 2/2007 Li D10/65
D542,721 S * 5/2007 Kraus D12/192
D635,073 S * 3/2011 Nield D12/192
D786,759 S * 5/2017 Webb D12/192
D791,660 S * 7/2017 Arceo D12/192
D799,389 S * 10/2017 Lee D12/192
D833,933 S * 11/2018 Gibson D12/192



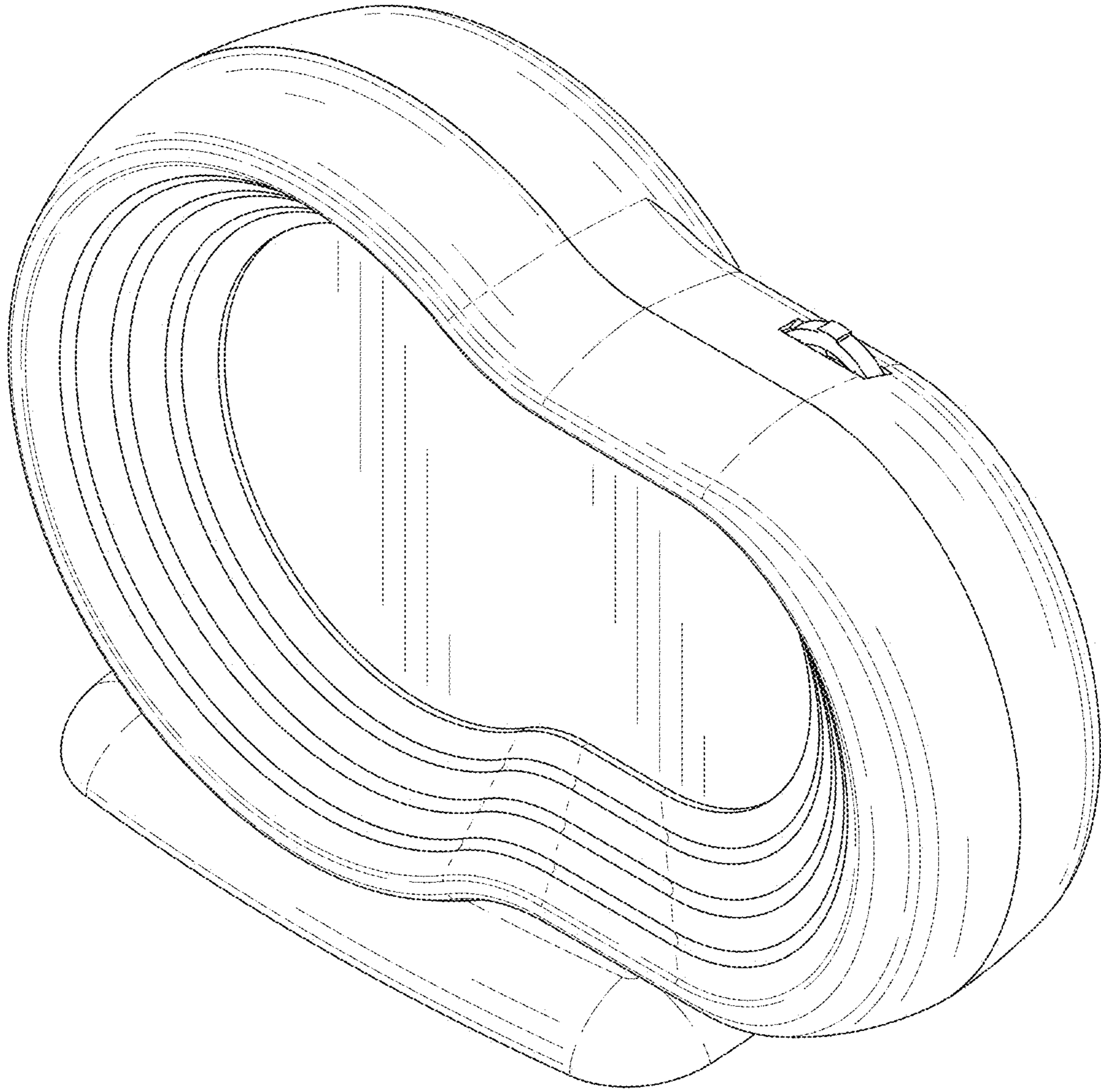


FIG. 1

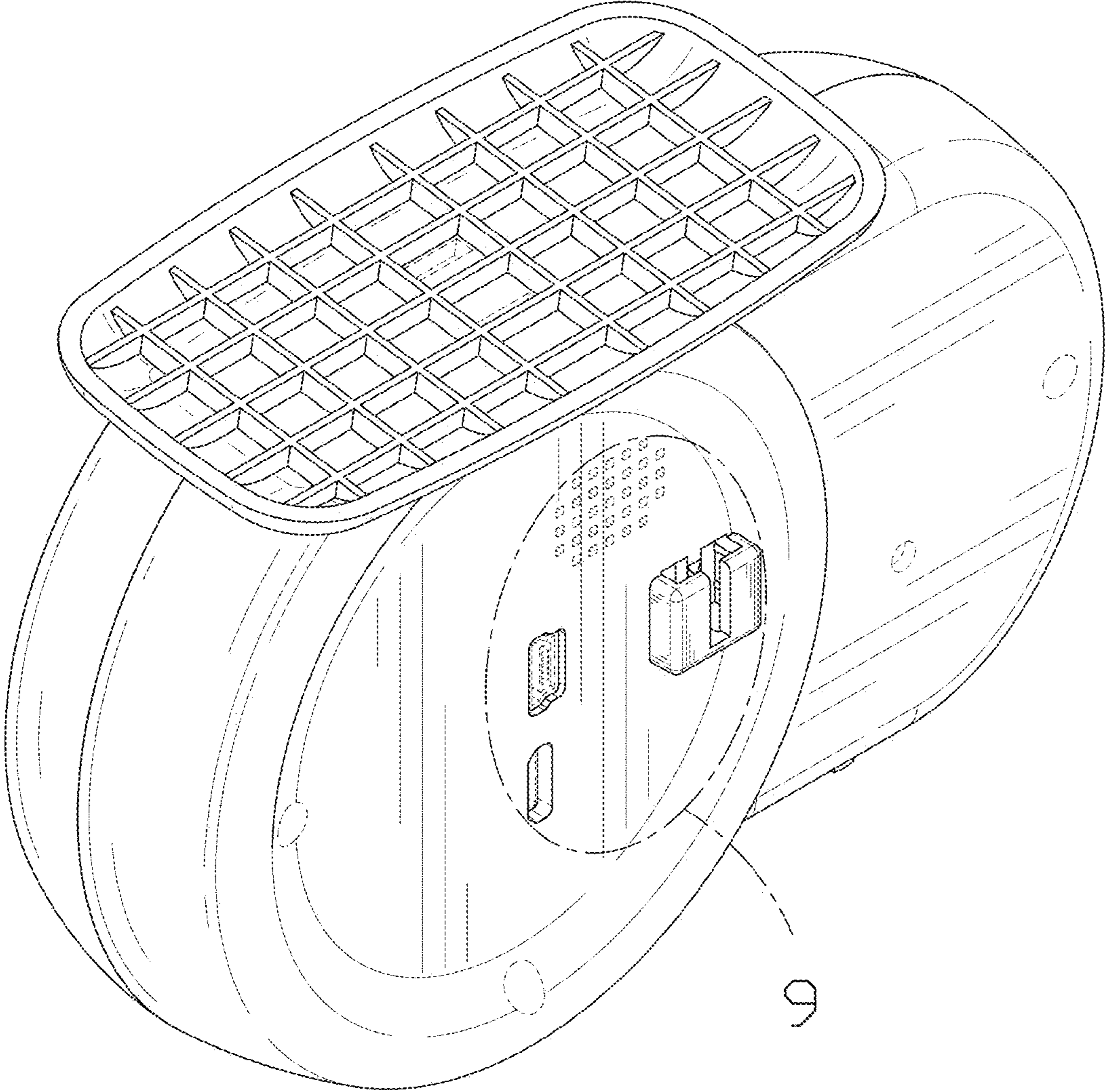


FIG. 2

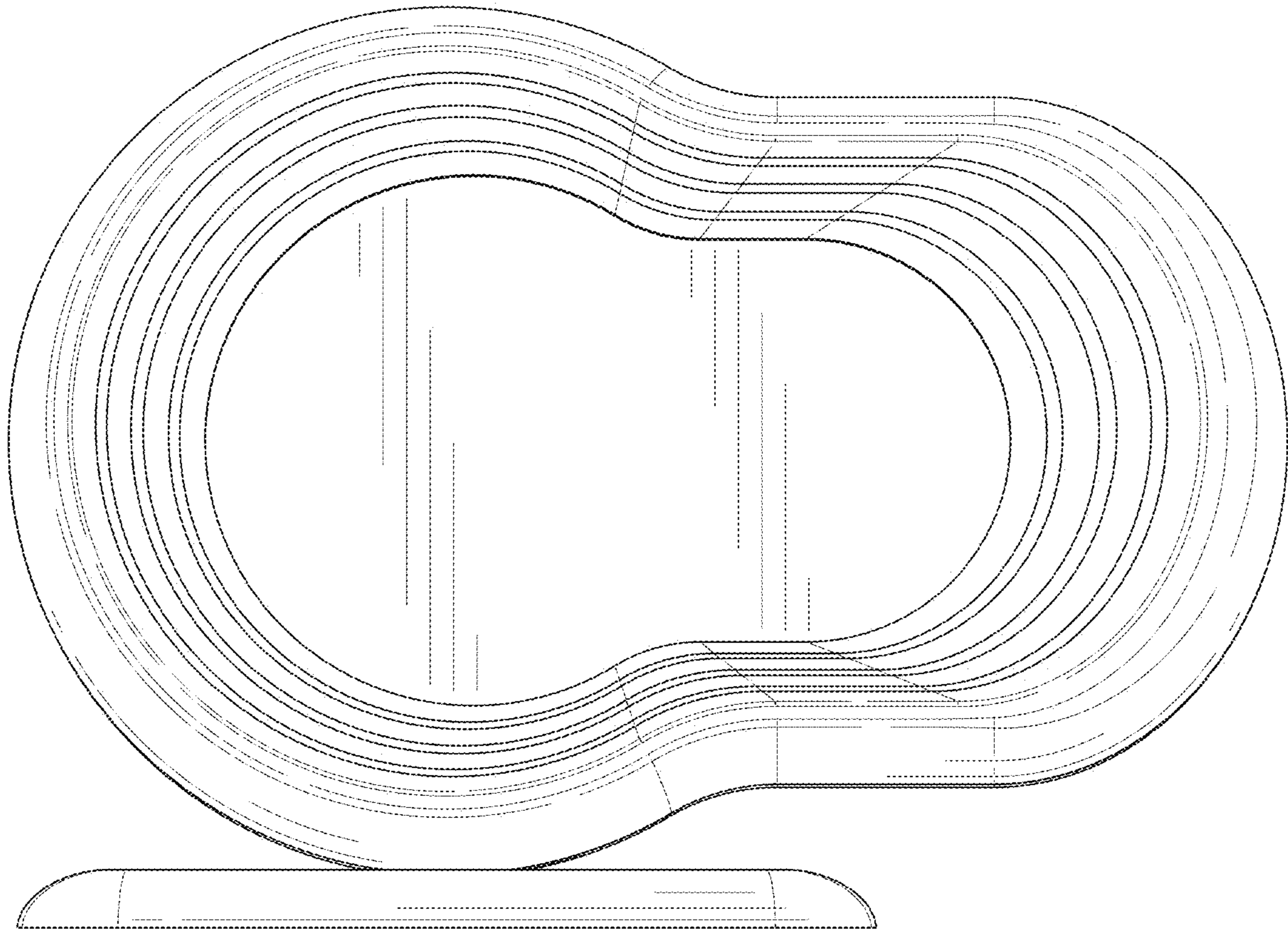


FIG. 3

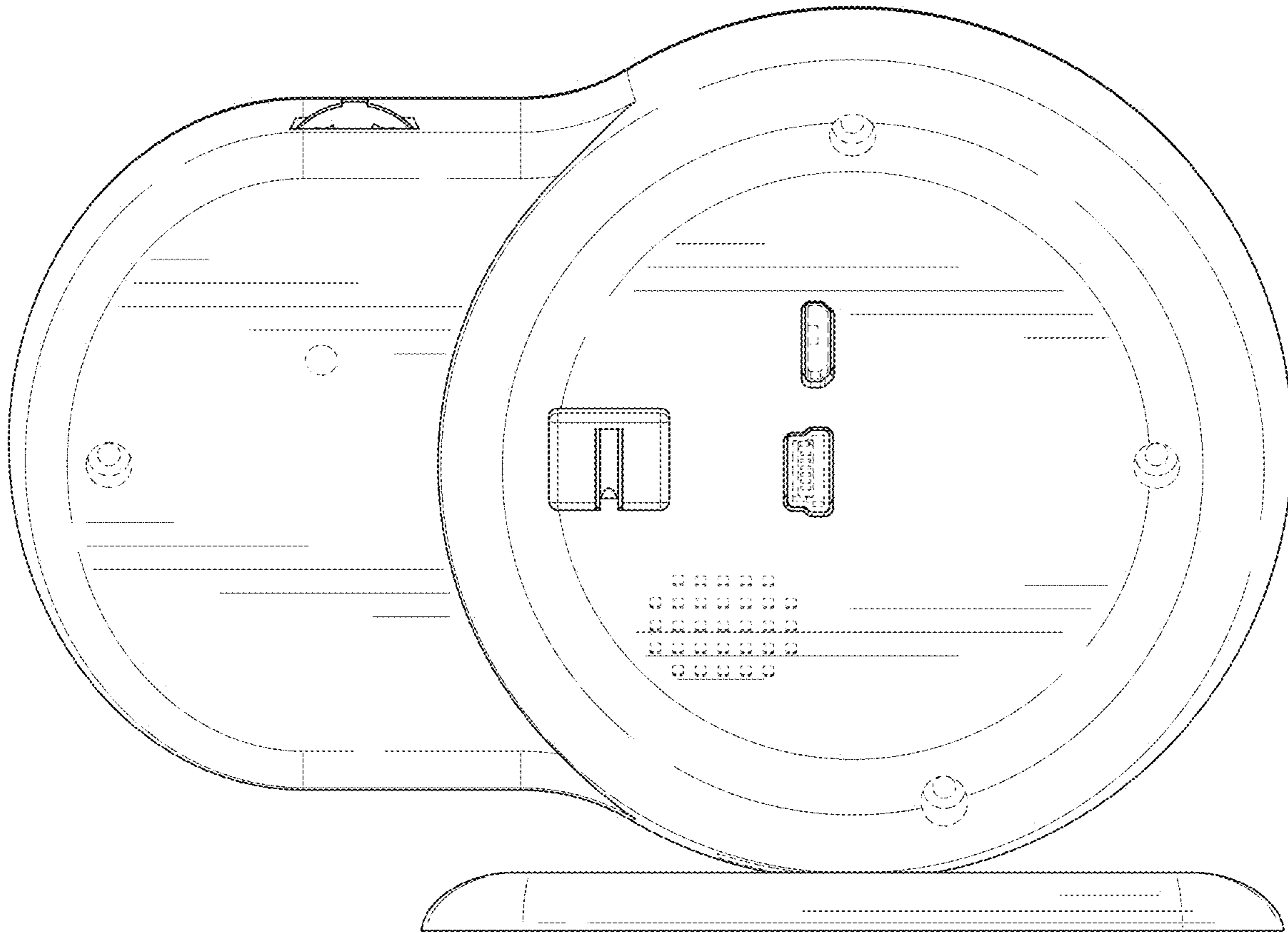


FIG. 4

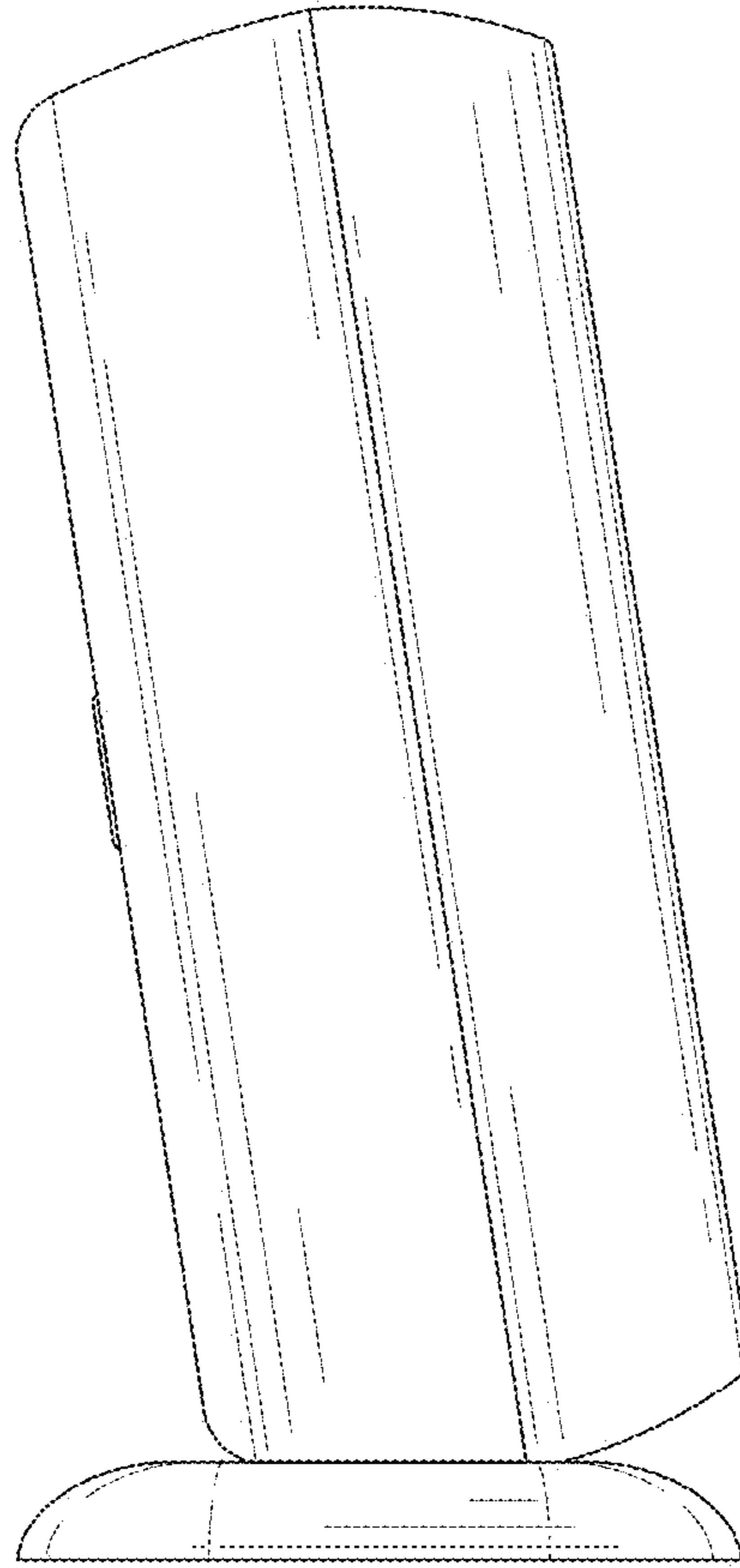


FIG. 5

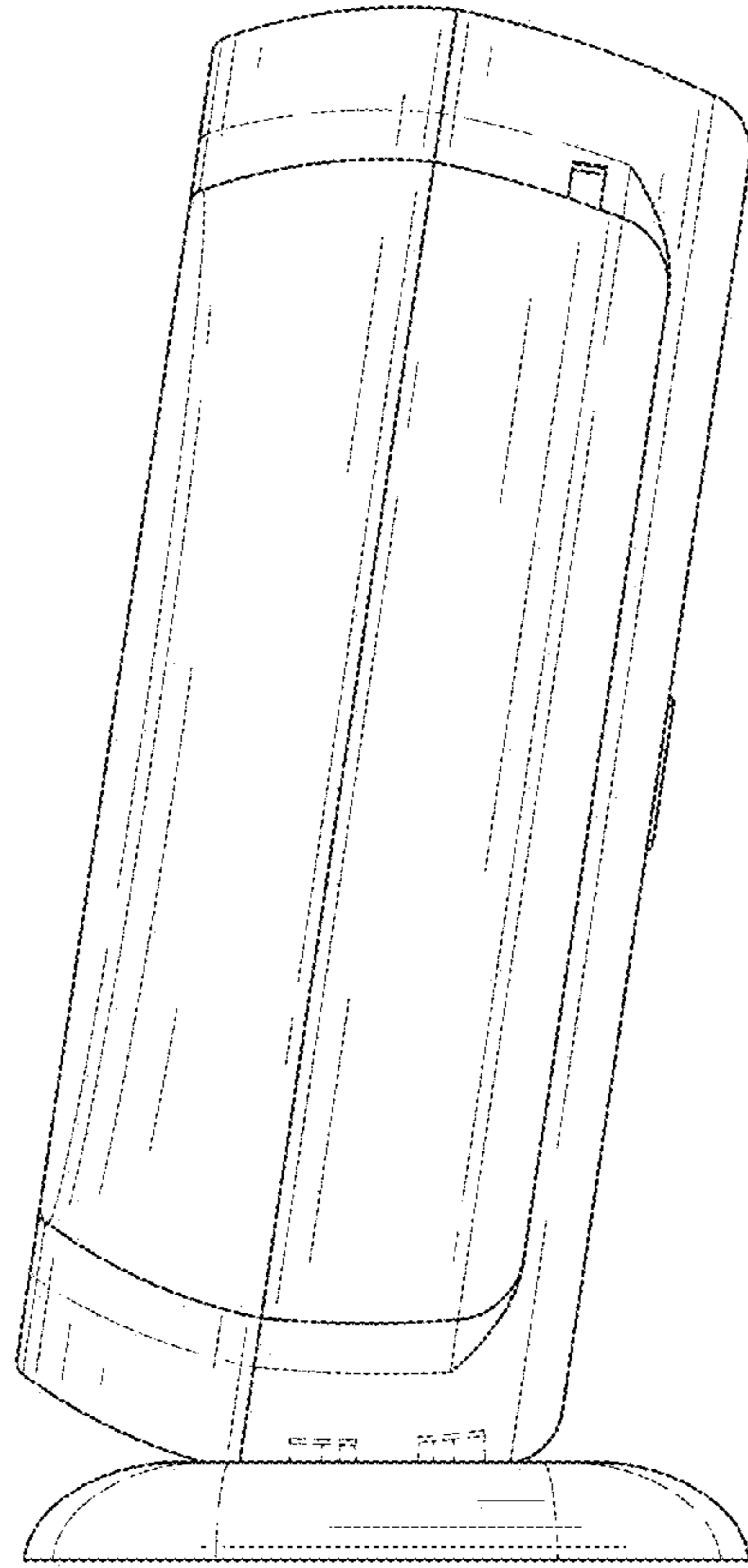


FIG. 6

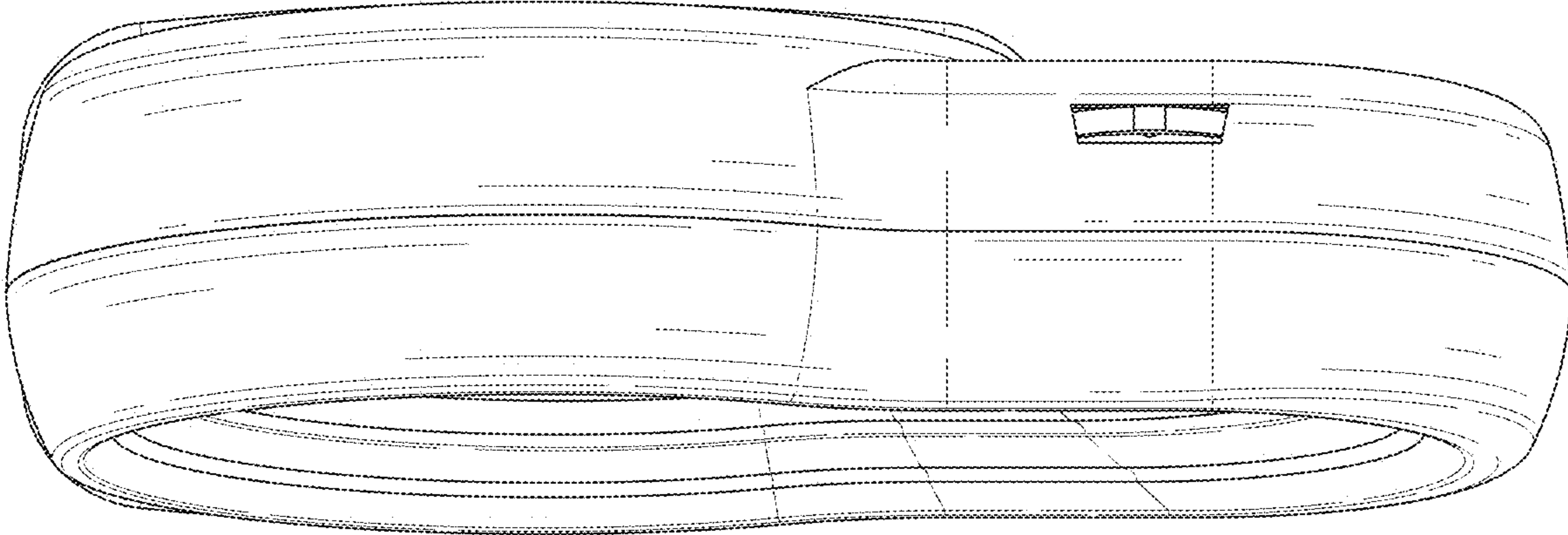


FIG. 7

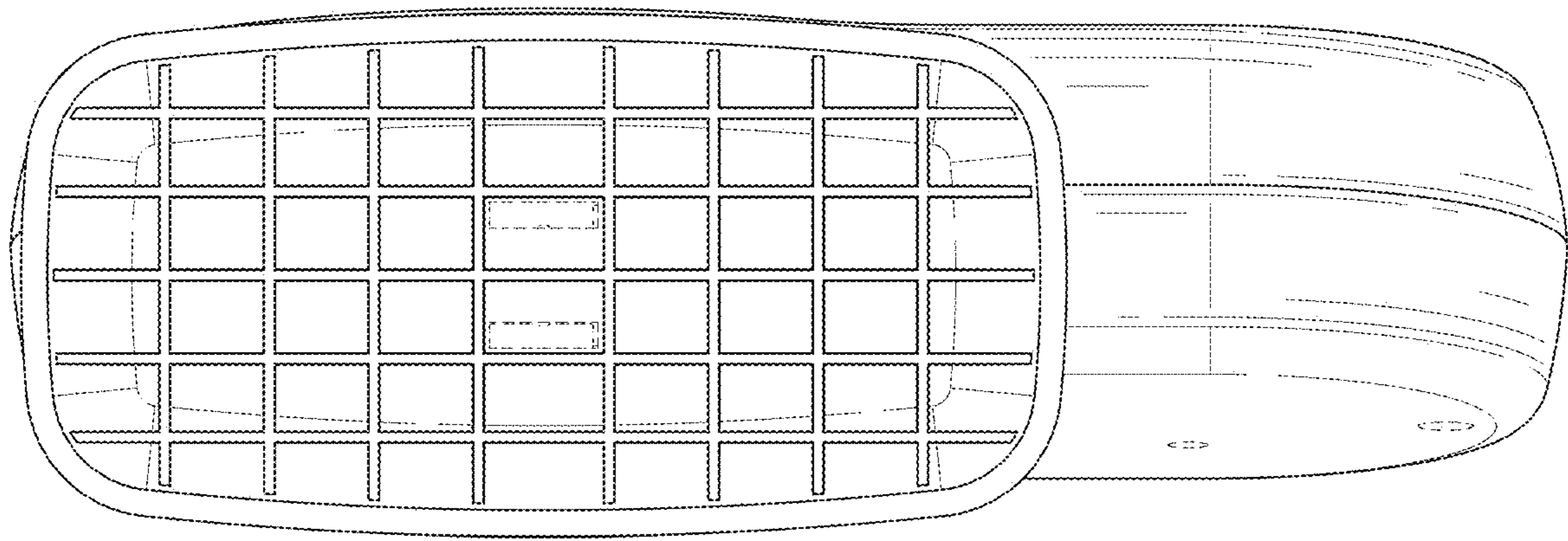


FIG. 8

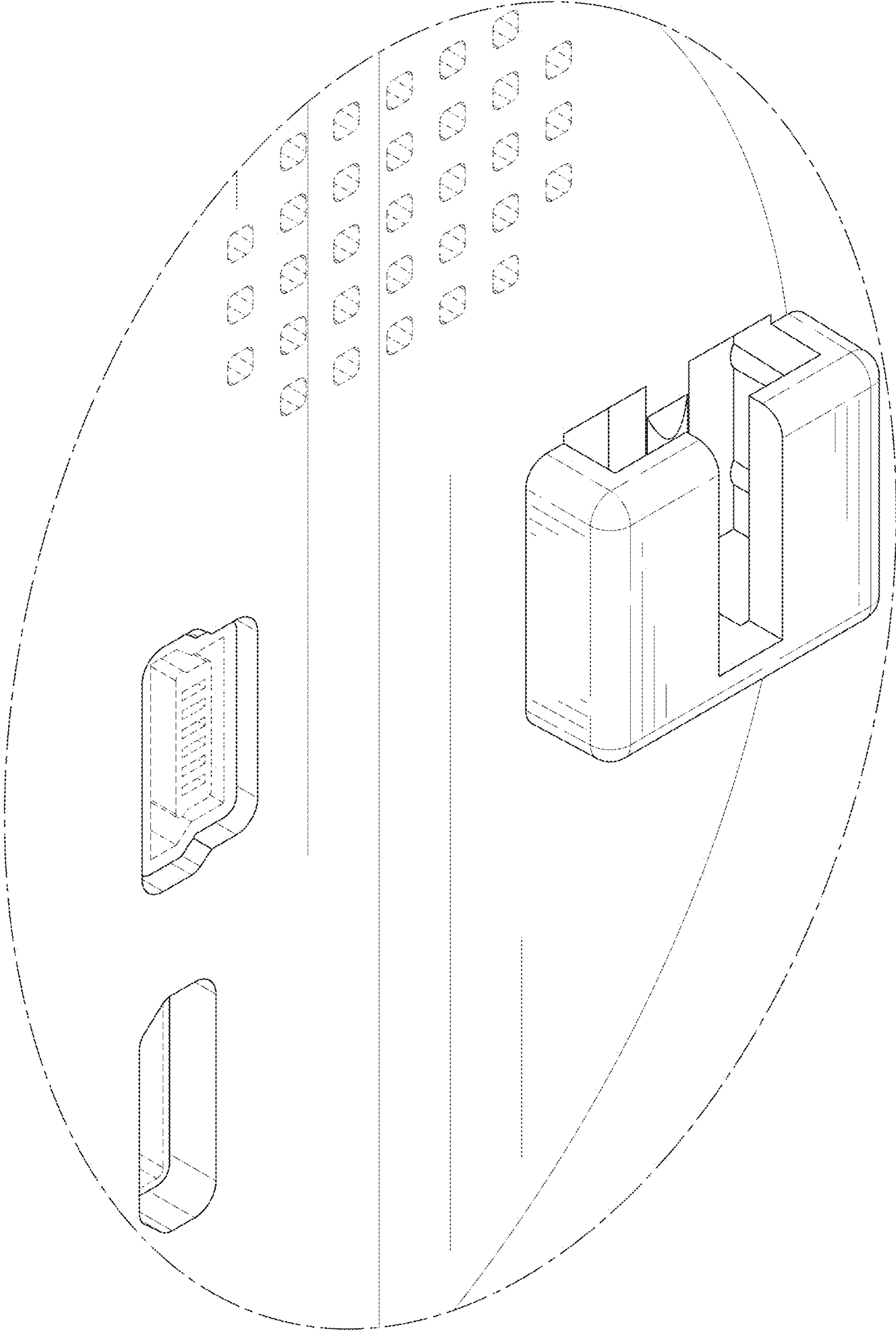


FIG. 9