



US00D933555S

(12) **United States Design Patent**
Medina et al.

(10) **Patent No.: US D933,555 S**

(45) **Date of Patent: ** *Oct. 19, 2021**

- (54) **MIRROR ARM AND HOUSING**
- (71) Applicant: **PACCAR Inc**, Bellevue, WA (US)
- (72) Inventors: **Dimitri T. Medina**, Plano, TX (US);
Jonathan Scott Duncan, Seattle, WA (US); **Jon Acton**, Fort Worth, TX (US)
- (73) Assignee: **PACCAR Inc**, Bellevue, WA (US)
- (*) Notice: This patent is subject to a terminal disclaimer.
- (**) Term: **15 Years**
- (21) Appl. No.: **29/724,446**
- (22) Filed: **Feb. 14, 2020**
- (51) **LOC (13) Cl.** **12-16**
- (52) **U.S. Cl.**
USPC **D12/187**
- (58) **Field of Classification Search**
CPC .. G02B 7/18; G02B 5/08; G02B 7/182; B60R
1/076
See application file for complete search history.

- D815,001 S * 4/2018 Banceu D12/187
- D858,387 S * 9/2019 Castelmezzano D12/187
- D863,160 S * 10/2019 Gifford D12/187
- D870,006 S * 12/2019 Chen D12/187
- D891,953 S * 8/2020 Kuvelker D10/70

OTHER PUBLICATIONS

- “T800,” Kenworth Truck Company, 2002, 32-page brochure.
- “T800,” Kenworth Truck Company, 2003, 32-page brochure.
- “T800,” Kenworth Truck Company, 2005, 28-page brochure.
- “T800,” Kenworth Truck Company, 2009, 28-page brochure.
- “T800B,” Kenworth Truck Company, 1993, 8-page brochure.

(Continued)

Primary Examiner — Katrina A Betton

(74) *Attorney, Agent, or Firm* — Seed IP Law Group LLP

(57) **CLAIM**

The ornamental design for a mirror arm and housing, as shown and described.

DESCRIPTION

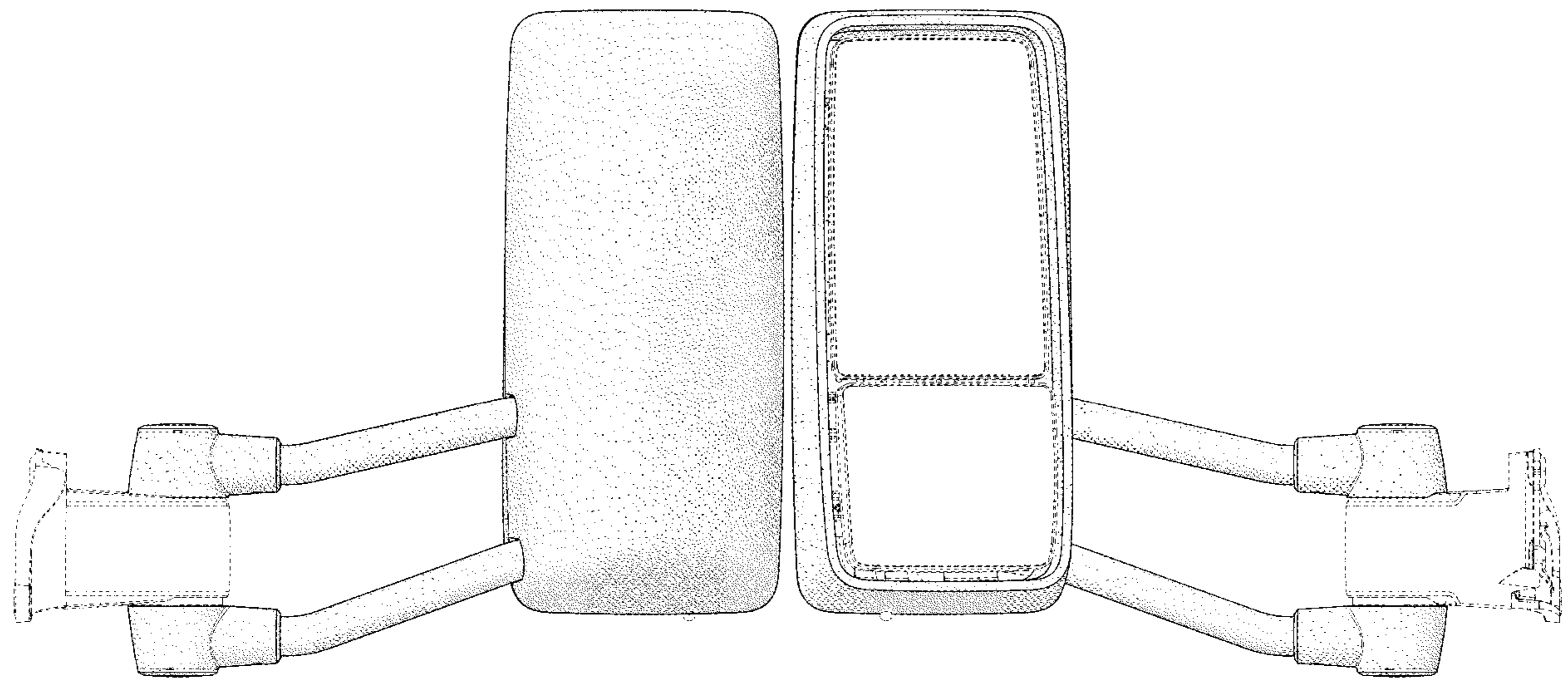
FIG. 1 is a top isometric view of a mirror arm and housing, showing our new design.
 FIG. 2 is a bottom isometric view thereof.
 FIG. 3 is a front elevational view thereof.
 FIG. 4 is a rear elevational view thereof.
 FIG. 5 is a left side elevational view thereof.
 FIG. 6 is a right side elevational view thereof.
 FIG. 7 is a top plan view thereof; and,
 FIG. 8 is a bottom plan view thereof.
 Stippling and tangency lines in the drawings represent the three-dimensional contours of the design, and are not intended to indicate surface decoration. The broken lines shown in the drawings depict portions of the mirror arm and housing that form no part of the claimed design.

1 Claim, 7 Drawing Sheets

(56) **References Cited**

U.S. PATENT DOCUMENTS

| | | | |
|--------------|---------|-------------------|---------|
| D302,964 S | 8/1989 | Fingerle | |
| D318,837 S | 8/1991 | Richardson et al. | |
| D325,017 S | 3/1992 | Richardson et al. | |
| D457,114 S * | 5/2002 | Lang | D12/187 |
| D631,804 S * | 2/2011 | Chen | D12/187 |
| D688,175 S * | 8/2013 | Campbell | D12/187 |
| D688,176 S * | 8/2013 | Campbell | D12/187 |
| D690,635 S | 10/2013 | Hovind et al. | |
| D702,607 S | 4/2014 | Hall et al. | |
| D702,608 S | 4/2014 | Hall et al. | |
| D702,609 S | 4/2014 | Hovind et al. | |
| D702,610 S * | 4/2014 | Hall | D12/187 |
| D709,414 S * | 7/2014 | Platto | D12/187 |
| D714,710 S | 10/2014 | Hall et al. | |



(56)

References Cited

OTHER PUBLICATIONS

Peterbilt Motors Company, "The Working Class," Sep. 1976, 6-page brochure.

"The World's Best," Kenworth Truck Company, 1992, 12-page brochure.

"W900," Kenworth Truck Company, 1996, 7-page brochure.

"W900," Kenworth Truck Company, 2002, 32-page brochure.

"W900," Kenworth Truck Company, 2005, 28-page brochure.

"W900," Kenworth Truck Company, 2009, 28-page brochure.

Kenworth Truck Company, "W900L AeroCab," 1994, 2-page brochure.

Kenworth Truck Company, "AeroCab," 1993, 5-page brochure.

"AeroCab," Kenworth Truck Company, as early as 1995, 3-page brochure.

"C500B," Kenworth Truck Company, as early as 1990, 4-page brochure.

Peterbilt Motors Company, "Class Pays, Medium Duty," Sep. 2000, 12-page brochure.

"Class Pays, Truck Models," Peterbilt Motors Company, Mar. 2005, 24-page brochure.

"Class Pays," Peterbilt Motors Company, Nov. 1998, 10-page brochure.

Peterbilt Motors Company, "Class Pays," Sep. 1997, 10-page brochure.

"Class Pays, Construction Trucks," Peterbilt Motors Company, Nov. 2003, 16-page brochure.

"Kenworth Truck Models," Kenworth Truck Company, 2010, 16-page brochure.

Peterbilt Motors Company, "Model 330," Oct. 1997, 3-page brochure.

Peterbilt Motors Company, "Model 379," Apr. 2005, 2-page brochure.

Peterbilt Motors Company, "Model 379," Mar. 1996, 5-page brochure.

Peterbilt Motors Company, "Rest with Class," Apr. 1978, 4-page brochure.

"T170 Class 5," Kenworth Truck Company, 2008, 4-page brochure.

"T270 Class 6 and T370 Class 7," Kenworth Truck Company, 2008, 6-page brochure.

"T270 Class 6 and T370 Class 7," Kenworth Truck Company, 2009, 6-page brochure.

"T270 Class 6 and T370 Class 7 Hybrid," Kenworth Truck Company, 2009, 6-page brochure.

"T680," Kenworth Truck Company, 2013, 34-page brochure.

"T680," Kenworth Truck Company, 2016, 34-page brochure.

"T880," Kenworth Truck Company, 2017, 32-page brochure.

"Model 579," Peterbilt Motors Company, Oct. 2013, 13-page brochure.

"Medium Duty," Peterbilt Motors Company, 2013, 9-page brochure.

"On-Highway," Peterbilt Motors Company, 2013, 13-page brochure.

"Vocational," Peterbilt Motors Company, 2013, 11-page brochure.

"T440," Kenworth Truck Company, 2010, 6-page brochure.

"T470," Kenworth Truck Company, 2010, 6-page brochure.

"T470H," Kenworth Truck Company, 2009, 2-page brochure.

"Model 220," Peterbilt Motors Company, 2019, 2-page brochure.

"220EV," Peterbilt Motors Company, 2020, 5-page brochure.

"Model 337," Peterbilt Motors Company, 2020, 2-page brochure.

"Model 389," Peterbilt Motors Company, 2019, 2-page brochure.

"Model 348," Peterbilt Motors Company, 2019, 2-page brochure.

"Model 520," Peterbilt Motors Company, 2019, 2-page brochure.

"Model 567," Peterbilt Motors Company, 2020, 16-page brochure.

"567 Heritage," Peterbilt Motors Company, 2017, 2-page brochure.

"Model 579," Peterbilt Motors Company, 2019, 28-page brochure.

"C500," Kenworth Truck Company, 2012, 2-page brochure.

"T680," Kenworth Truck Company, 2019, 40-page brochure.

"T800," Kenworth Truck Company, 2012, 28-page brochure.

"T440/T470," Kenworth Truck Company, 2015, 8-page brochure.

"K270E/K370E," Kenworth Truck Company, 2020, 4-page brochure.

"T170/T270/T370," Kenworth Truck Company, 2019, 16-page brochure.

"K270/K370," Kenworth Truck Company, 2014, 12-page brochure.

"W990," Kenworth Truck Company, 2018, 32-page brochure.

"T880," Kenworth Truck Company, 2019, 36-page brochure.

"Model 367," Peterbilt Motors Company, <https://www.peterbilt.com/trucks/vocational/model-367>, retrieved Nov. 20, 2020, 12 pages.

"Model 365," Peterbilt Motors Company, <https://www.peterbilt.com/trucks/vocational/model-365>, retrieved Nov. 20, 2020, 11 pages.

"Model 325," Peterbilt Motors Company, <https://www.peterbilt.com/trucks/medium-duty/model-325>, retrieved Nov. 20, 2020, 12 pages.

* cited by examiner

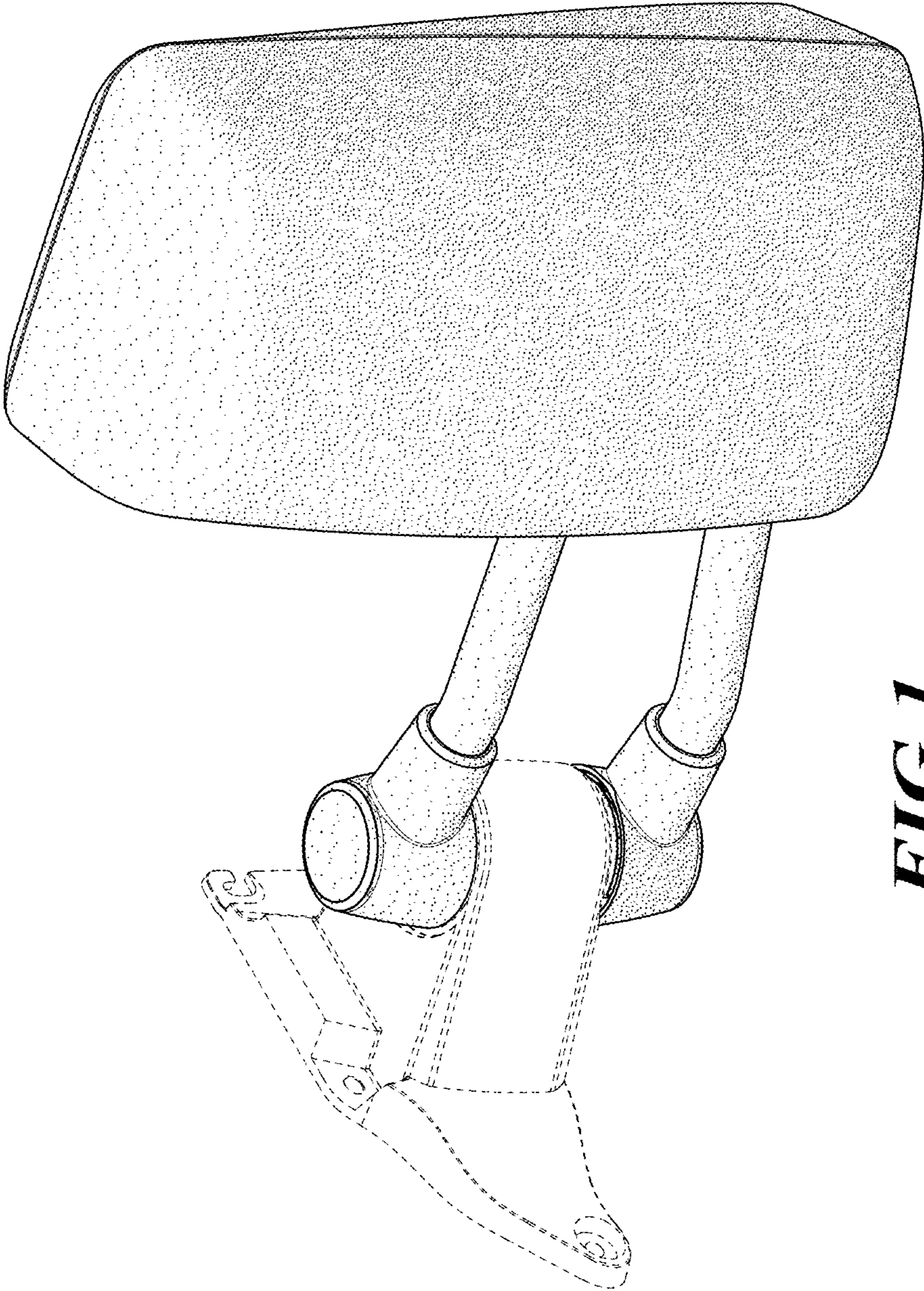


FIG. 1

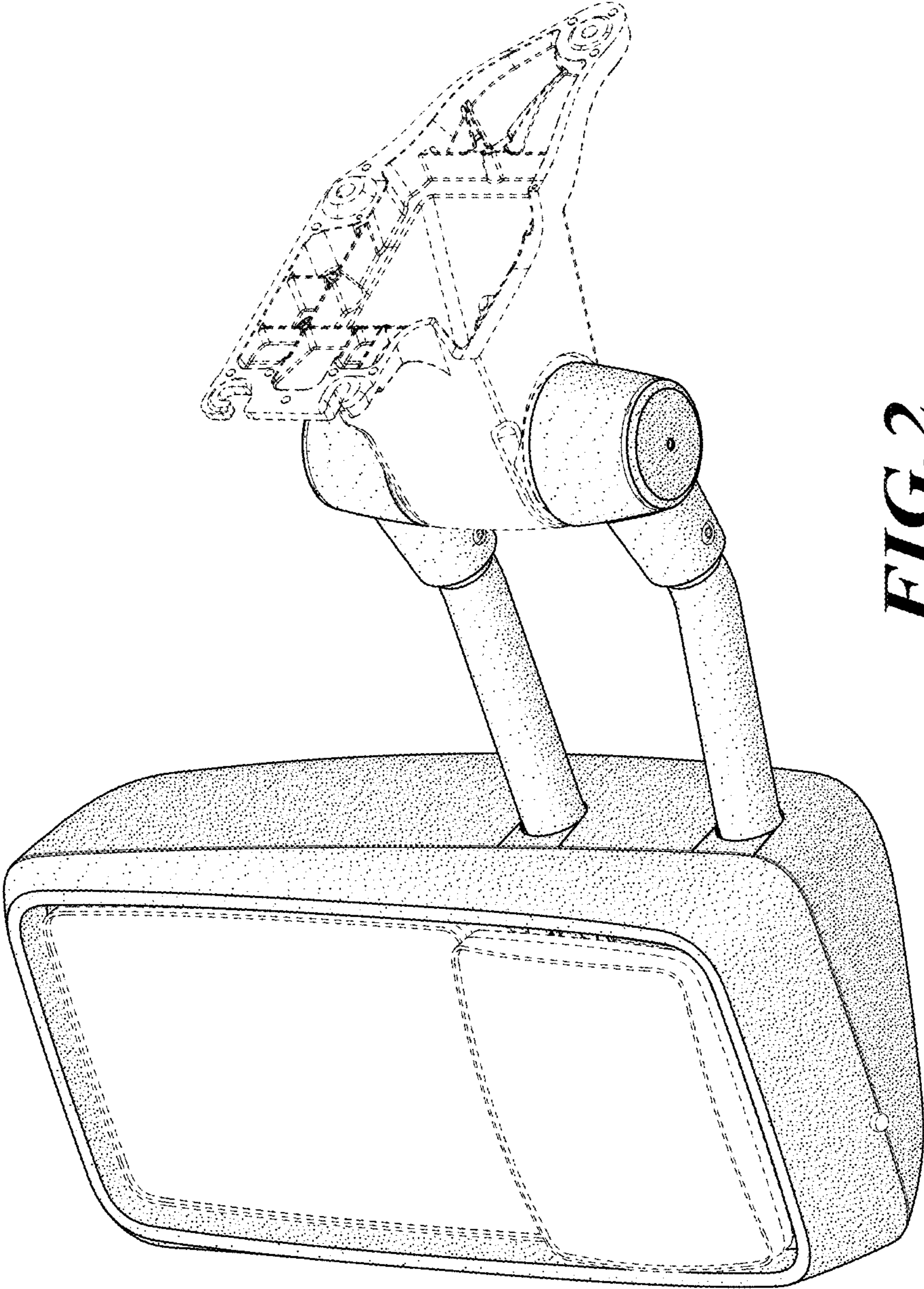


FIG. 2

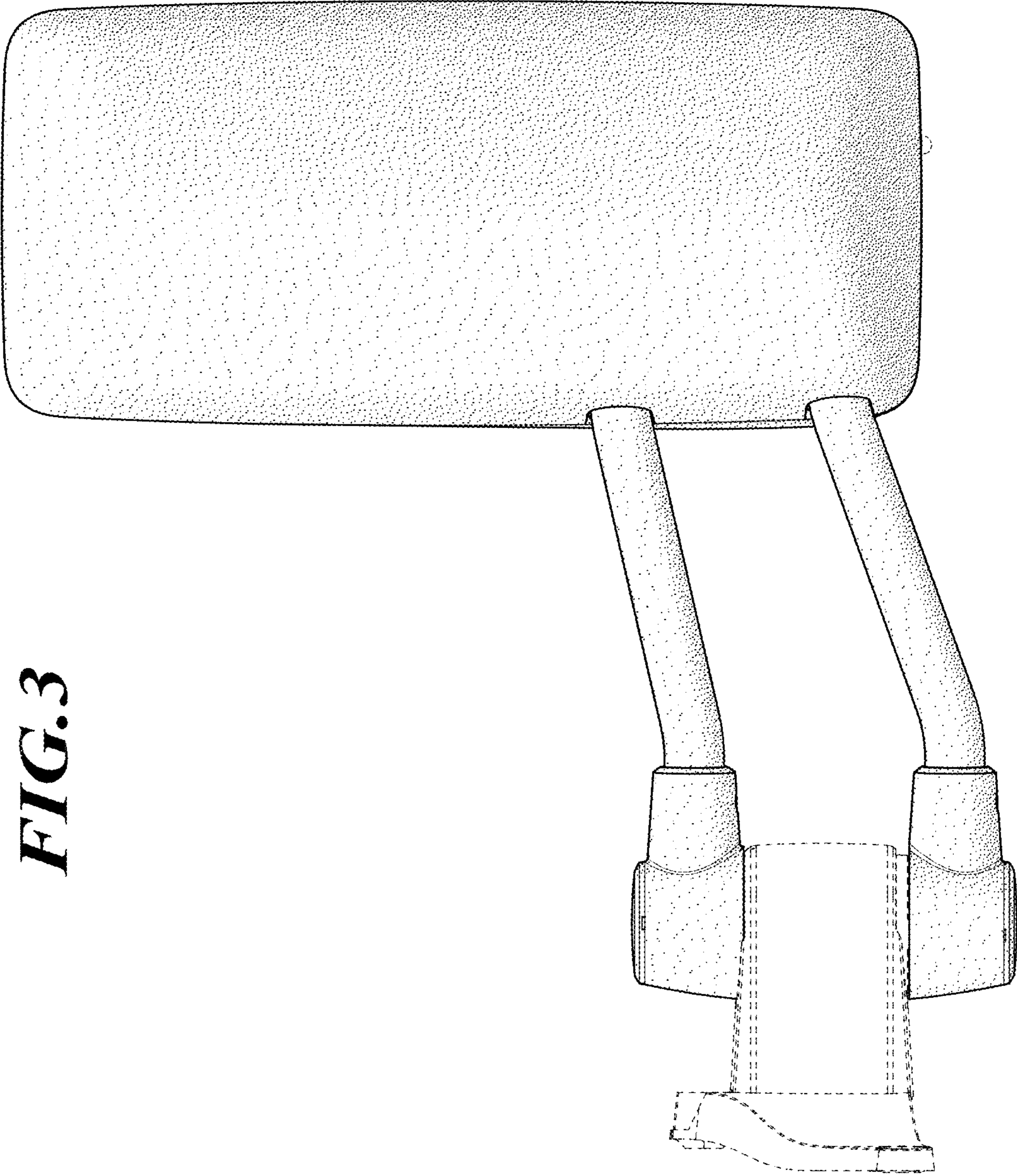
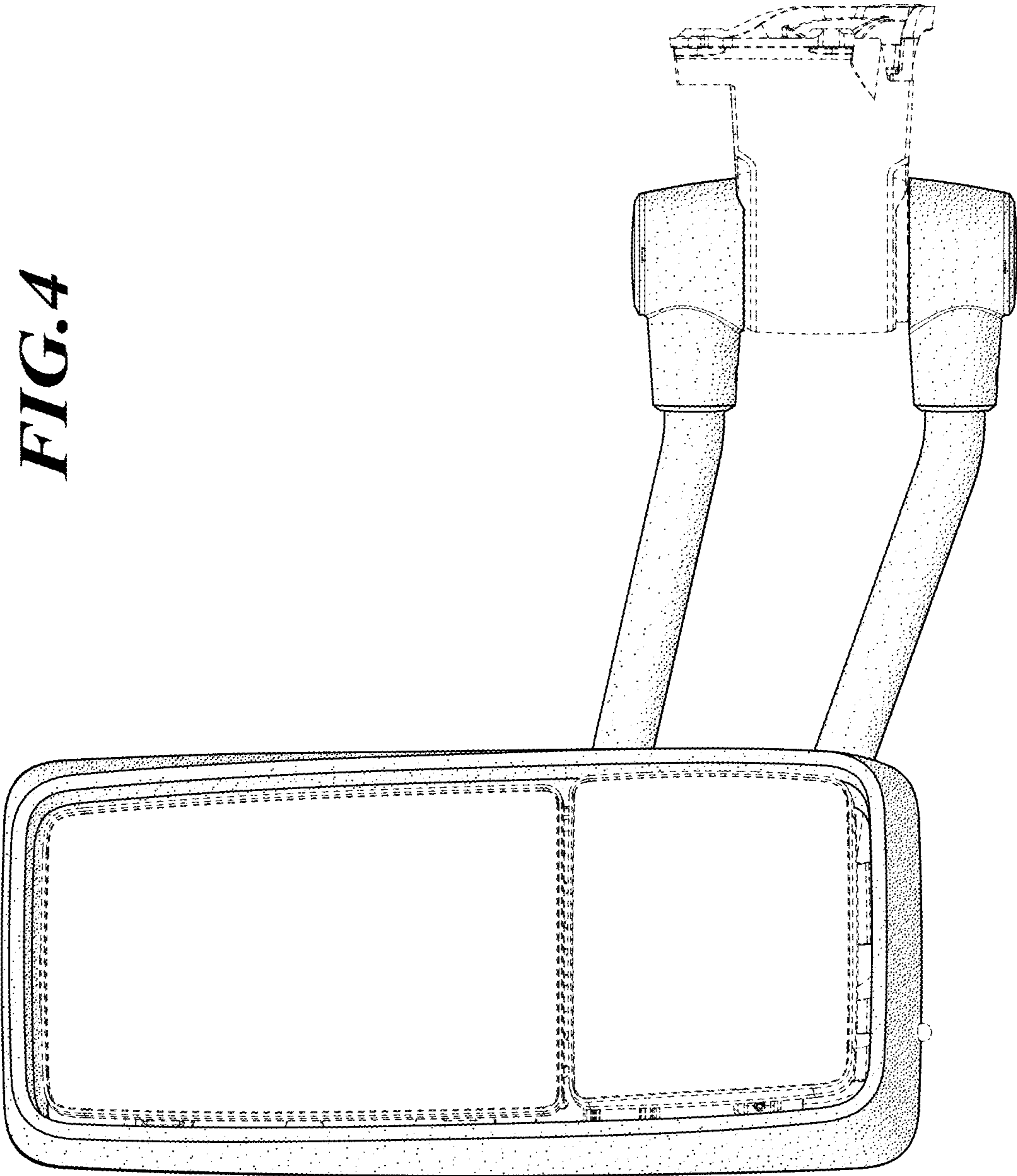


FIG. 3

FIG. 4



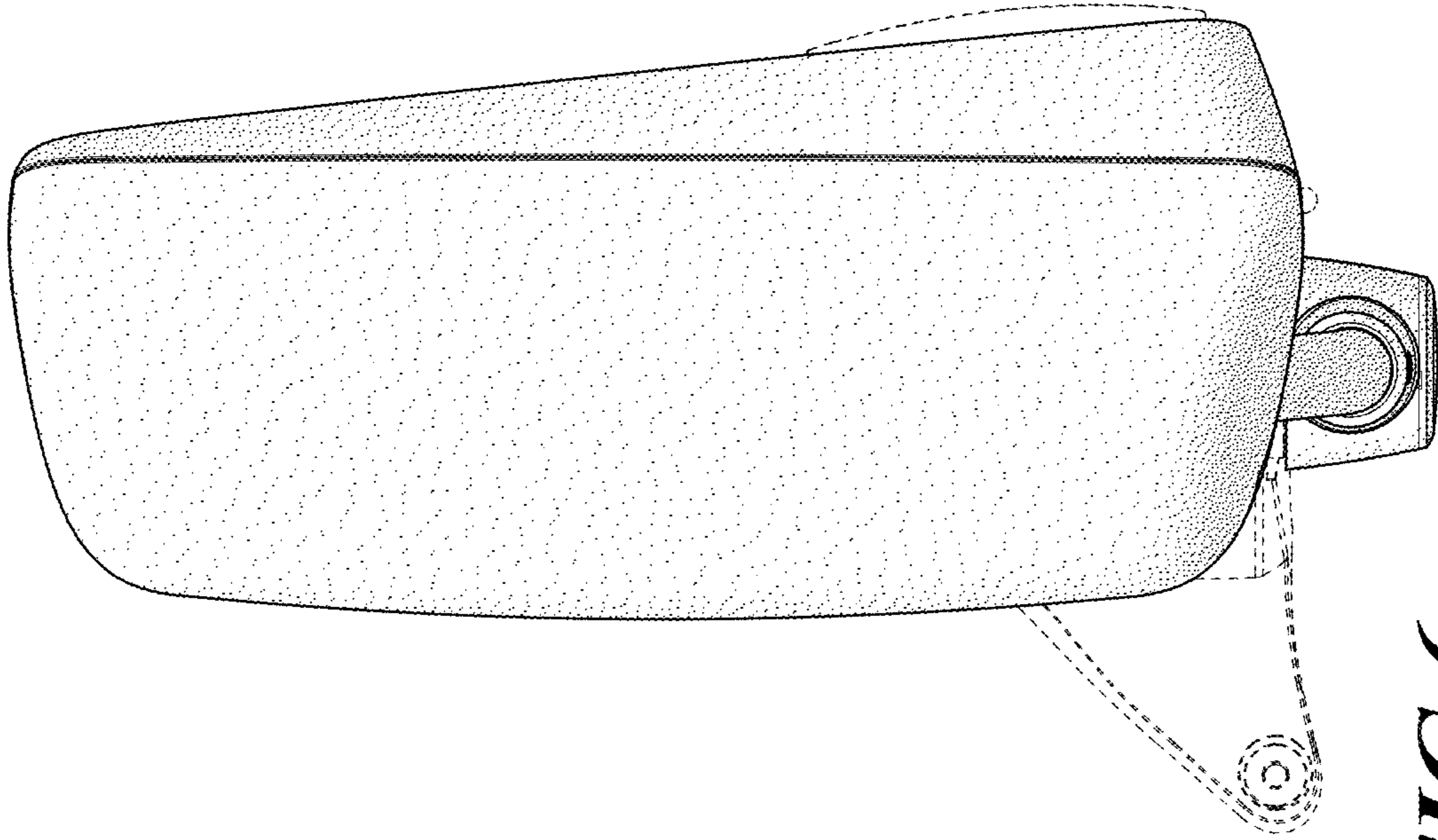


FIG. 6

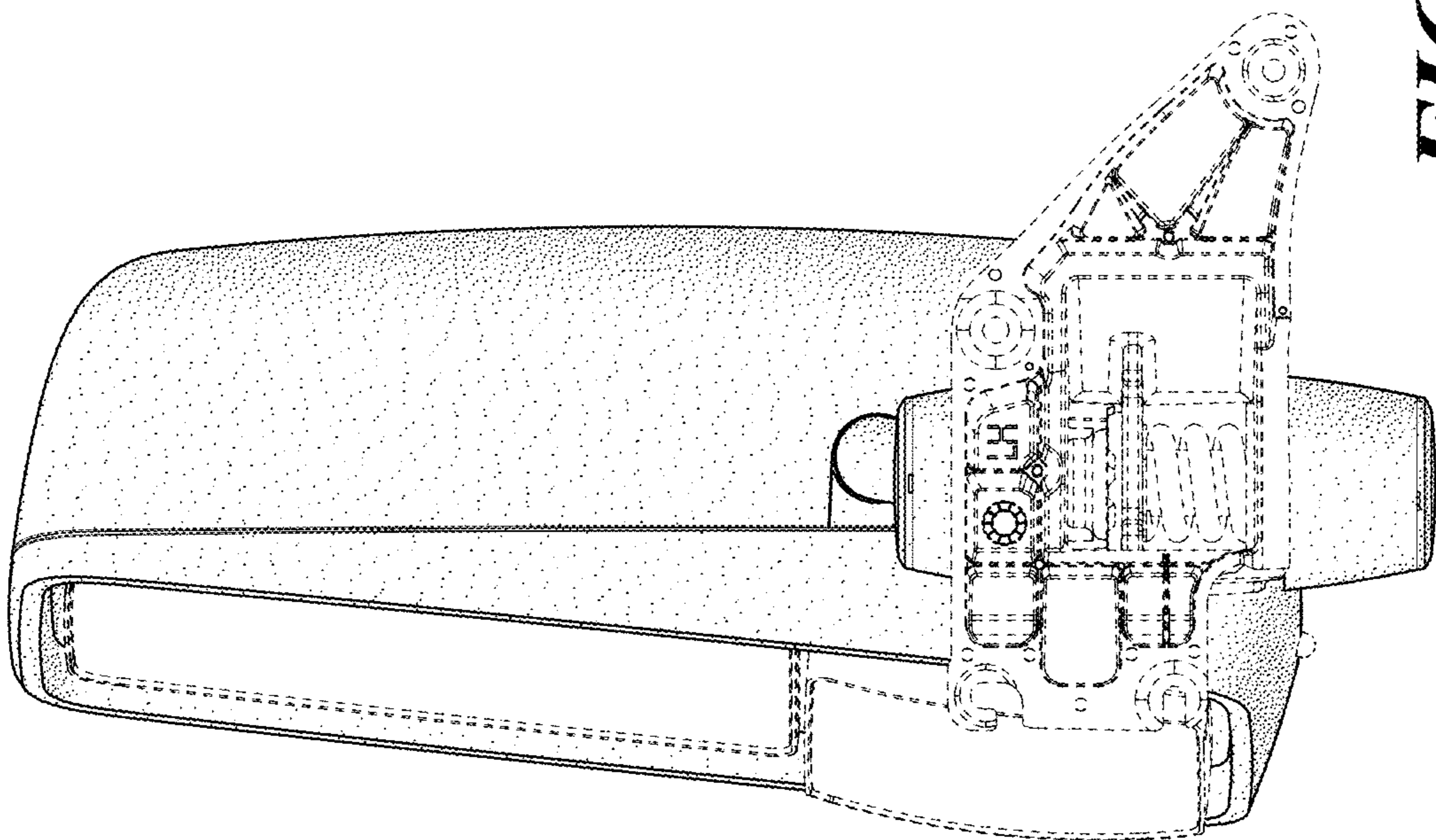


FIG. 5

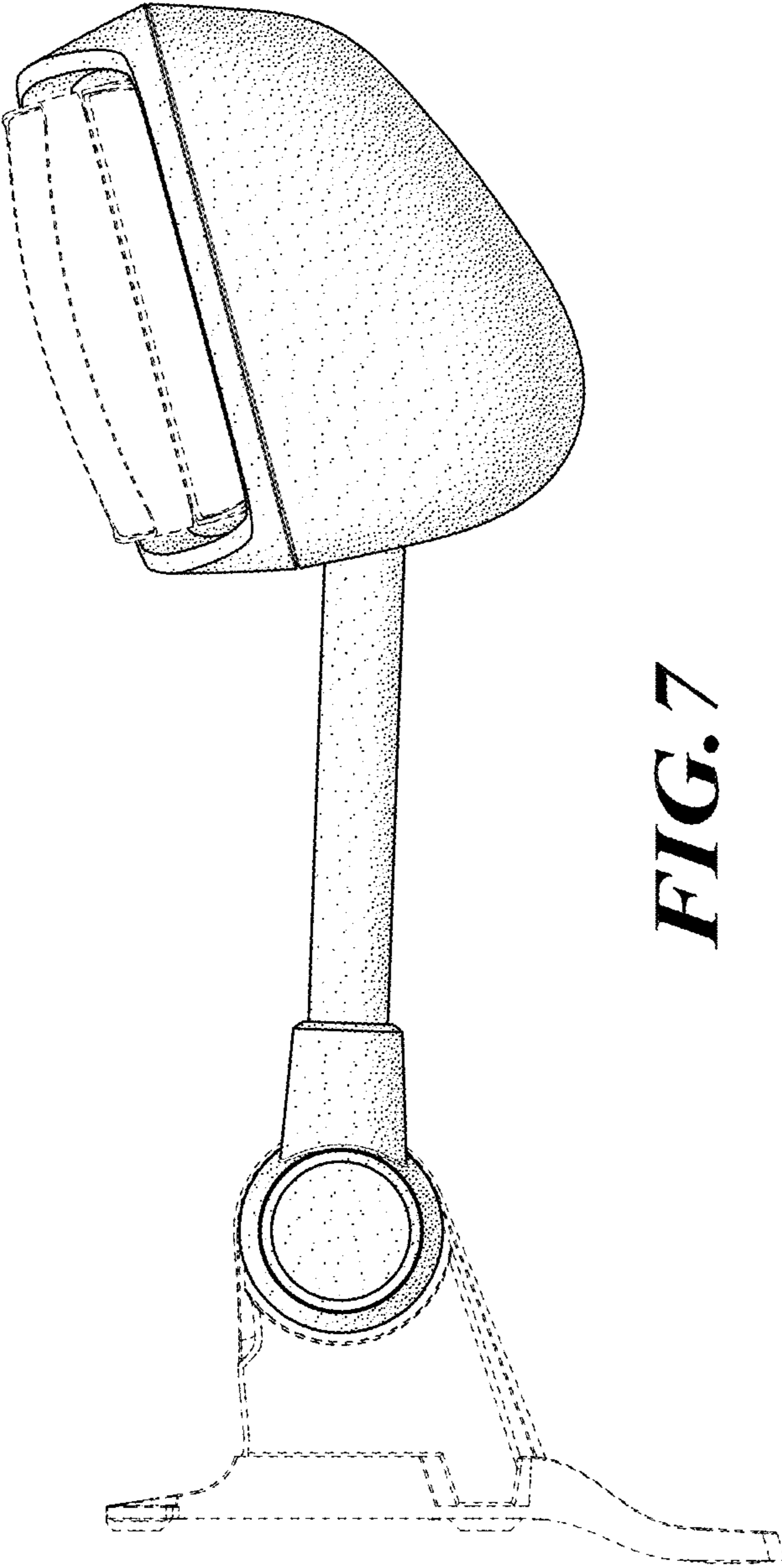


FIG. 7

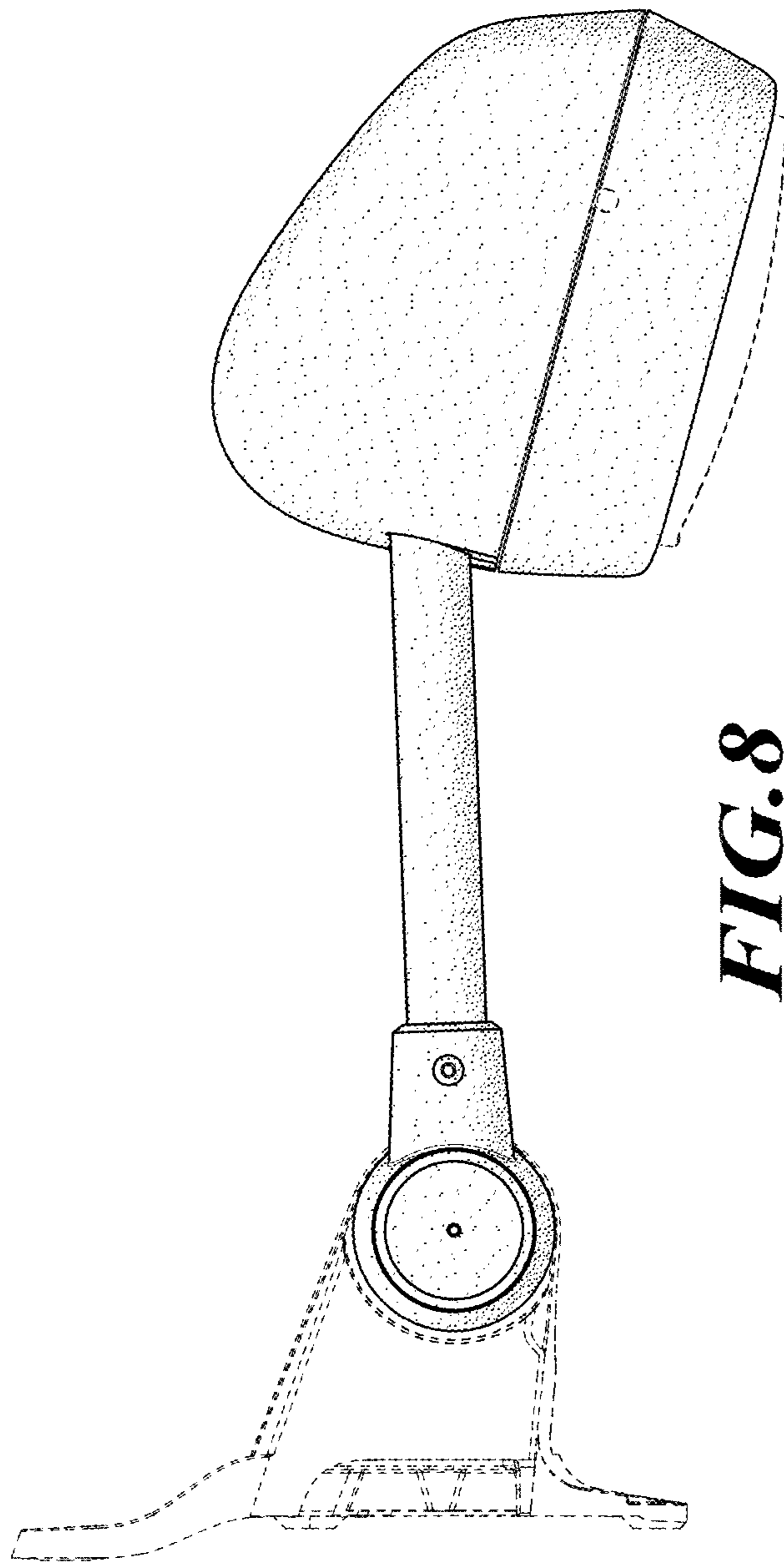


FIG. 8