



US00D933553S

(12) **United States Design Patent** (10) **Patent No.:** **US D933,553 S**  
**Bilodeau et al.** (45) **Date of Patent:** **\*\* Oct. 19, 2021**

(54) **STEERING YOKE**

- (71) Applicant: **TESLA, INC.**, Palo Alto, CA (US)
- (72) Inventors: **Julien Bilodeau**, Los Angeles, CA (US); **Franz von Holzhausen**, Malibu, CA (US); **David Imai**, Los Angeles, CA (US); **Ivan Lampkin**, Redondo Beach, CA (US)
- (73) Assignee: **Tesla, Inc.**, Palo Alto, CA (US)
- (\*\*) Term: **15 Years**
- (21) Appl. No.: **29/714,171**
- (22) Filed: **Nov. 21, 2019**
- (51) **LOC (13) Cl.** ..... **12-16**
- (52) **U.S. Cl.**  
USPC ..... **D12/175**
- (58) **Field of Classification Search**  
USPC ..... D12/174, 175, 176, 177, 192, 196  
CPC . B60R 21/203; B60R 21/215; B60R 21/2155;  
B60R 2021/21543; B62D 1/046; B60Q  
1/0082; B60Q 1/343  
See application file for complete search history.

(56) **References Cited**

**U.S. PATENT DOCUMENTS**

D657,923 S	*	4/2012	Dammkoehler	.....	D32/28
D737,184 S	*	8/2015	Oosuda	.....	D12/175
D758,933 S	*	6/2016	Owaku	.....	D12/176
D787,994 S	*	5/2017	Carbone	.....	D12/175
D792,299 S	*	7/2017	Manzoni	.....	D12/176
D830,925 S	*	10/2018	Von Holzhausen	.....	D12/176
D856,227 S	*	8/2019	Mariotti	.....	D12/175
D867,238 S	*	11/2019	Mariotti	.....	D12/175
D870,004 S	*	12/2019	Hill	.....	D12/175
D875,000 S	*	2/2020	Watola	.....	D12/176
D893,369 S	*	8/2020	Kafantaris	.....	D12/176
D897,913 S	*	10/2020	Godard	.....	D12/175
D911,447 S	*	2/2021	Conrad	.....	D21/333

**OTHER PUBLICATIONS**

Steering Wheels. Design—© Questel) orbit.com. [Online PDF compilation of references] 57pgs. Print Dates Range Sep. 22, 2020-Feb. 28, 2020 [Retrieved Jun. 16, 2021].\*

“5 Things we Love and Hate About the Tesla Roadster.” May 1, 2018. Autoblog, <https://www.autoblog.com/photos/tesla-roadster-4/#slide-1329874> (Year: 2018).\*

Snyder, John Beltz. “Nissan IMx Concept: Autonomous EV With a Disappearing Steering Wheel.” Oct. 25, 2017. Autoblog. <https://www.autoblog.com/2017/10/25/nissan-imx-concept-autonomous-ev-disappearing-steering-wheel/#slide-7132697> (Year: 2017).\*

Tesio, Florent. “Aston Martin Concept Steering Wheel.” Mar. 14, 2016. Behance. <https://www.behance.net/gallery/35011829/Aston-Martin-Concept-Steering-Wheel> (Year: 2016).\*

\* cited by examiner

*Primary Examiner* — Brett Miller

*Assistant Examiner* — Suzanne E Tisdell

(74) *Attorney, Agent, or Firm* — Knobbe Martens Olson & Bear LLP

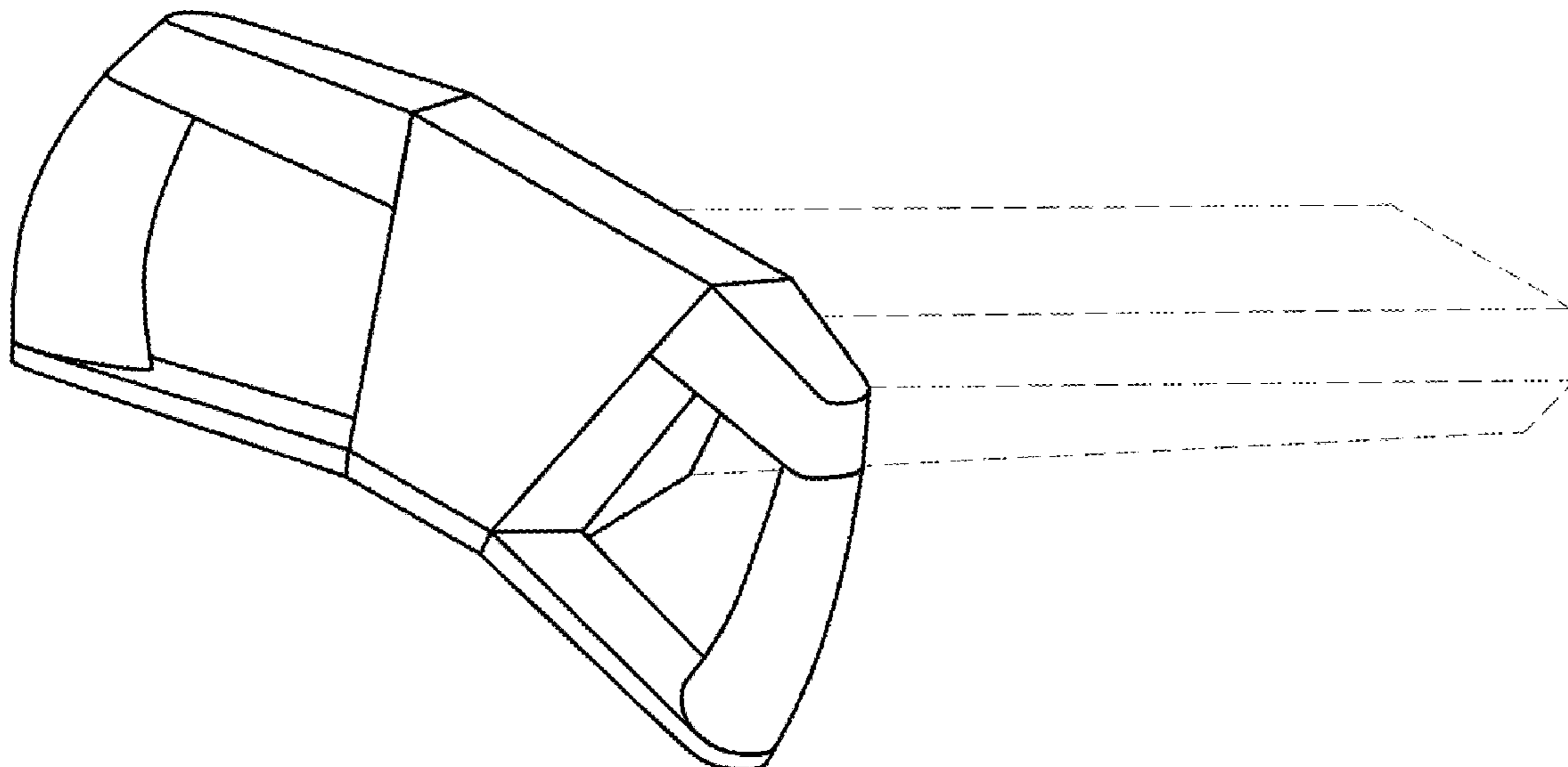
(57) **CLAIM**

The ornamental design for a steering yoke, as shown and described.

**DESCRIPTION**

FIG. 1 is a front perspective view of a steering yoke; FIG. 2 is a front view of the steering yoke of FIG. 1; FIG. 3 is a rear view of the steering yoke of FIG. 1; FIG. 4 is a right side view of the steering yoke of FIG. 1; FIG. 5 is a left side view of the steering yoke of FIG. 1; FIG. 6 is a top view of the steering yoke of FIG. 1; and, FIG. 7 is a bottom view of the steering yoke of FIG. 1; In the drawings, the dashed broken lines represent features that form no part of the claimed design.

**1 Claim, 7 Drawing Sheets**



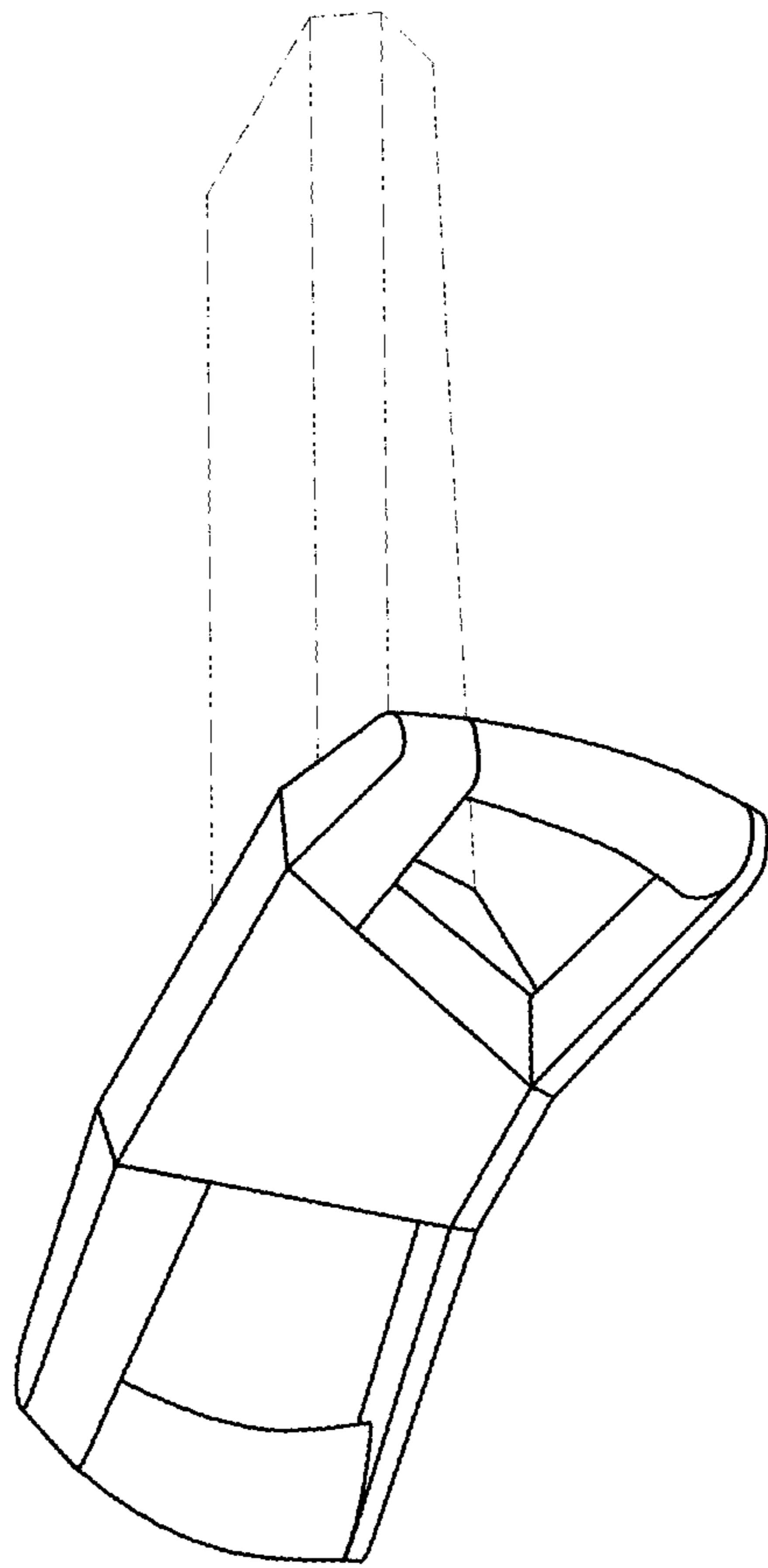


FIG. 1

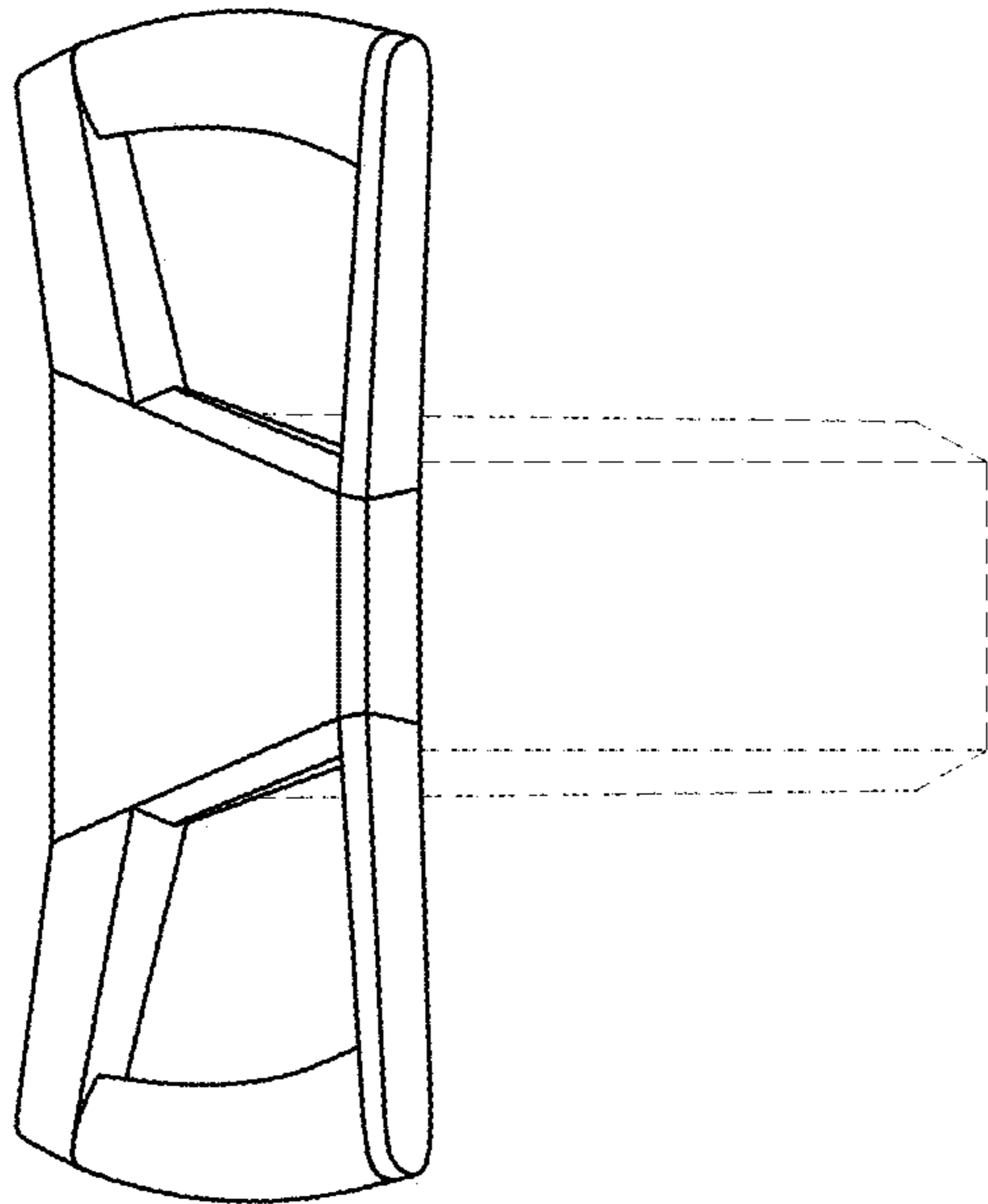


FIG. 2

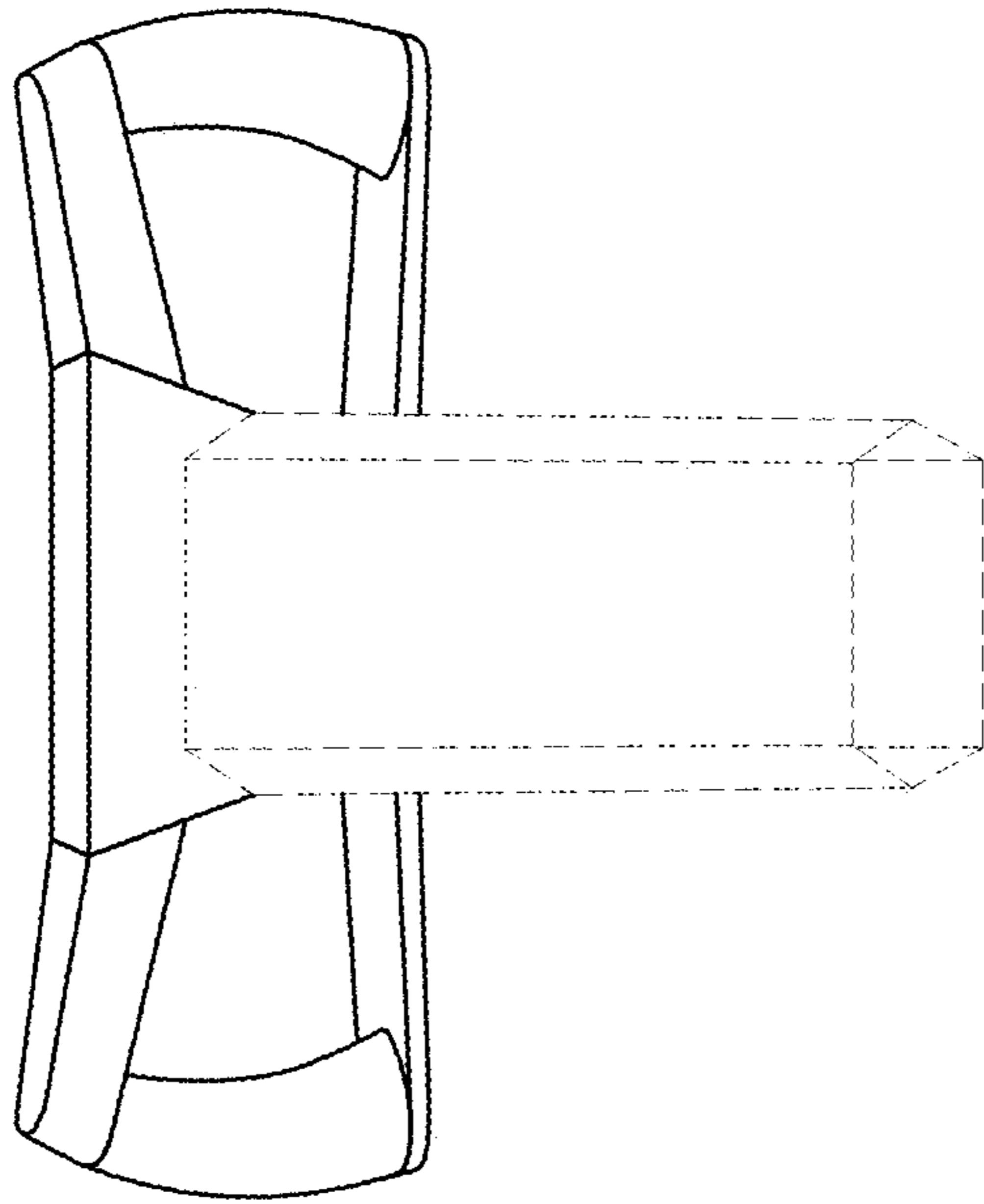


FIG. 3

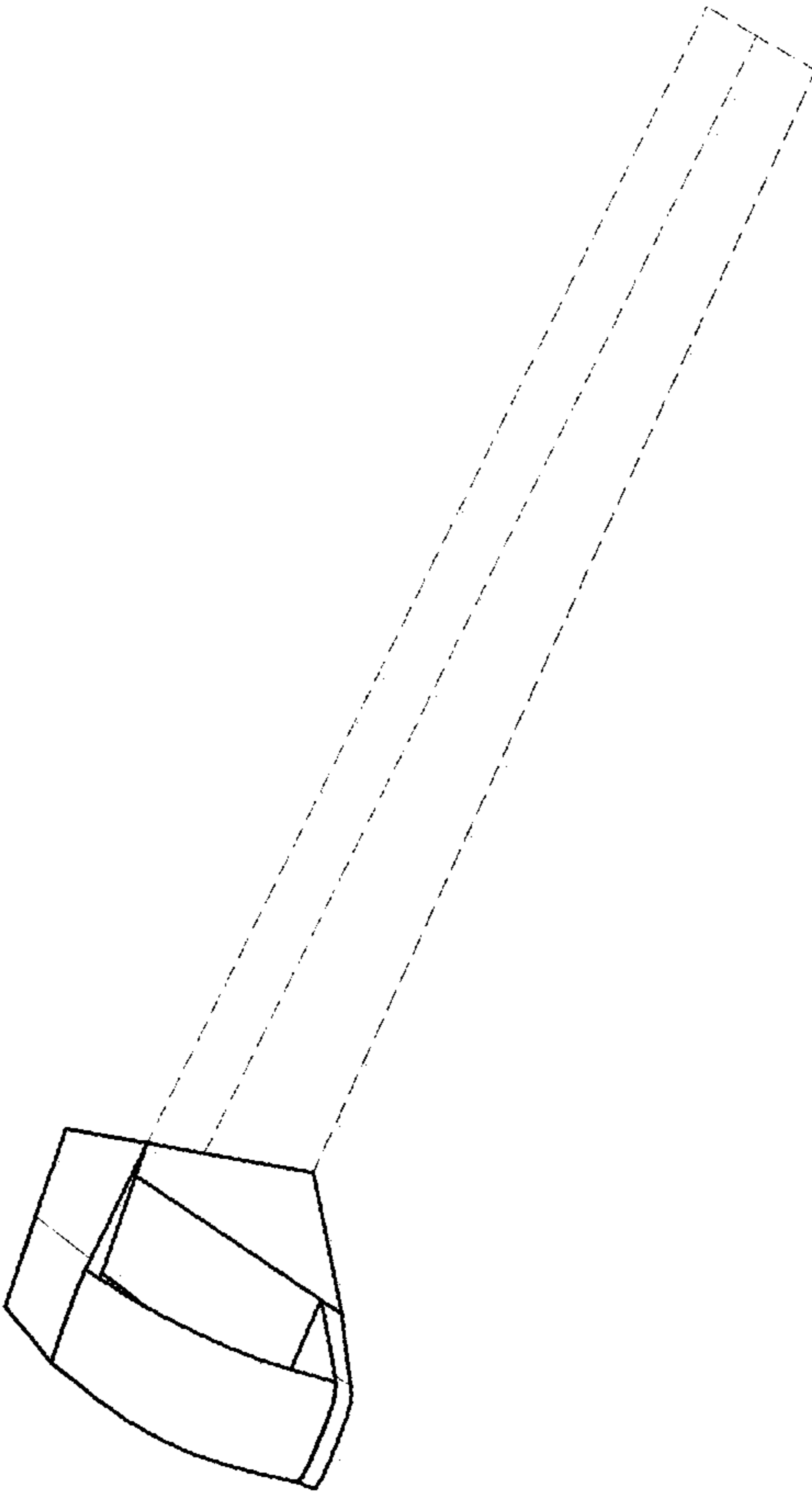


FIG. 4

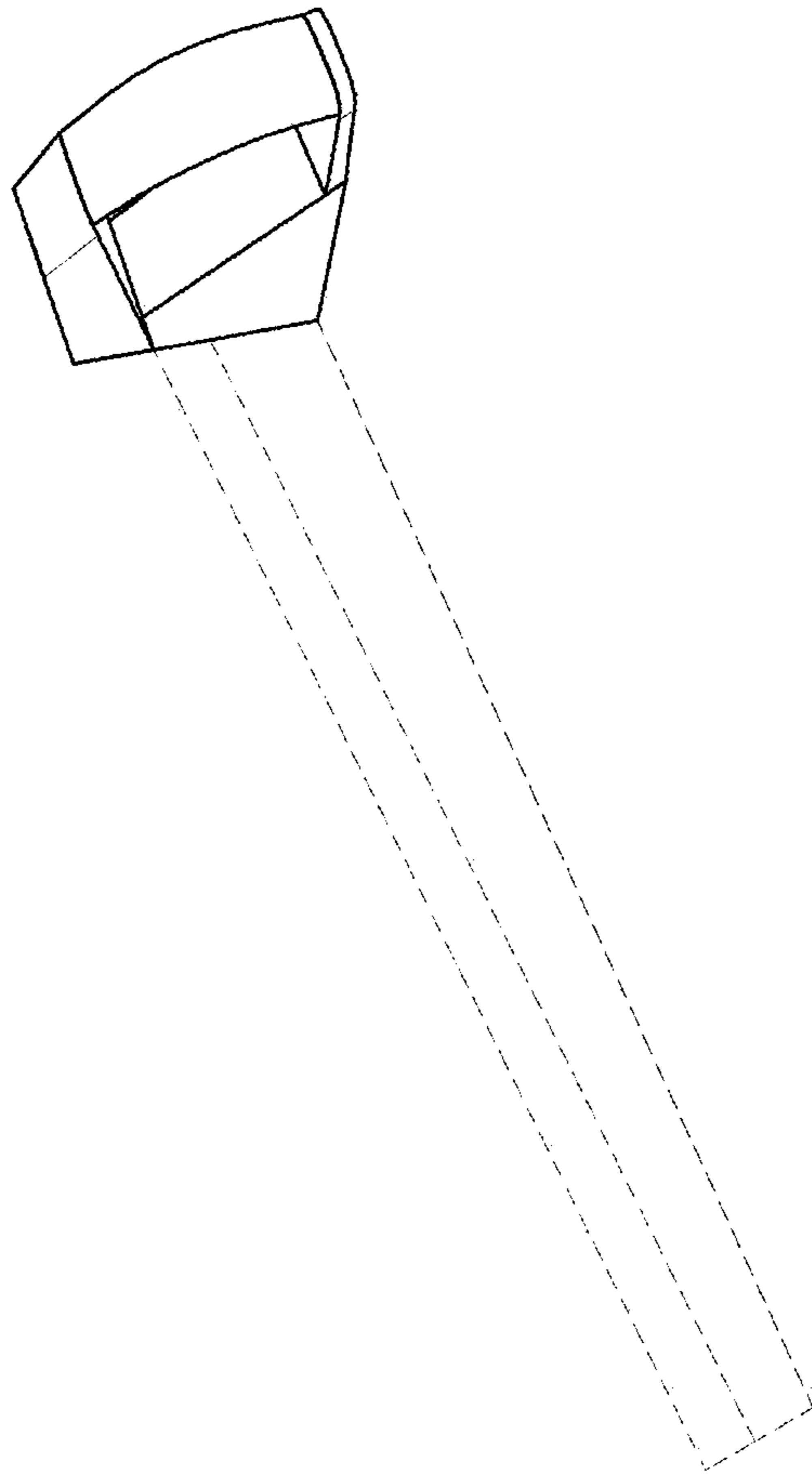


FIG. 5

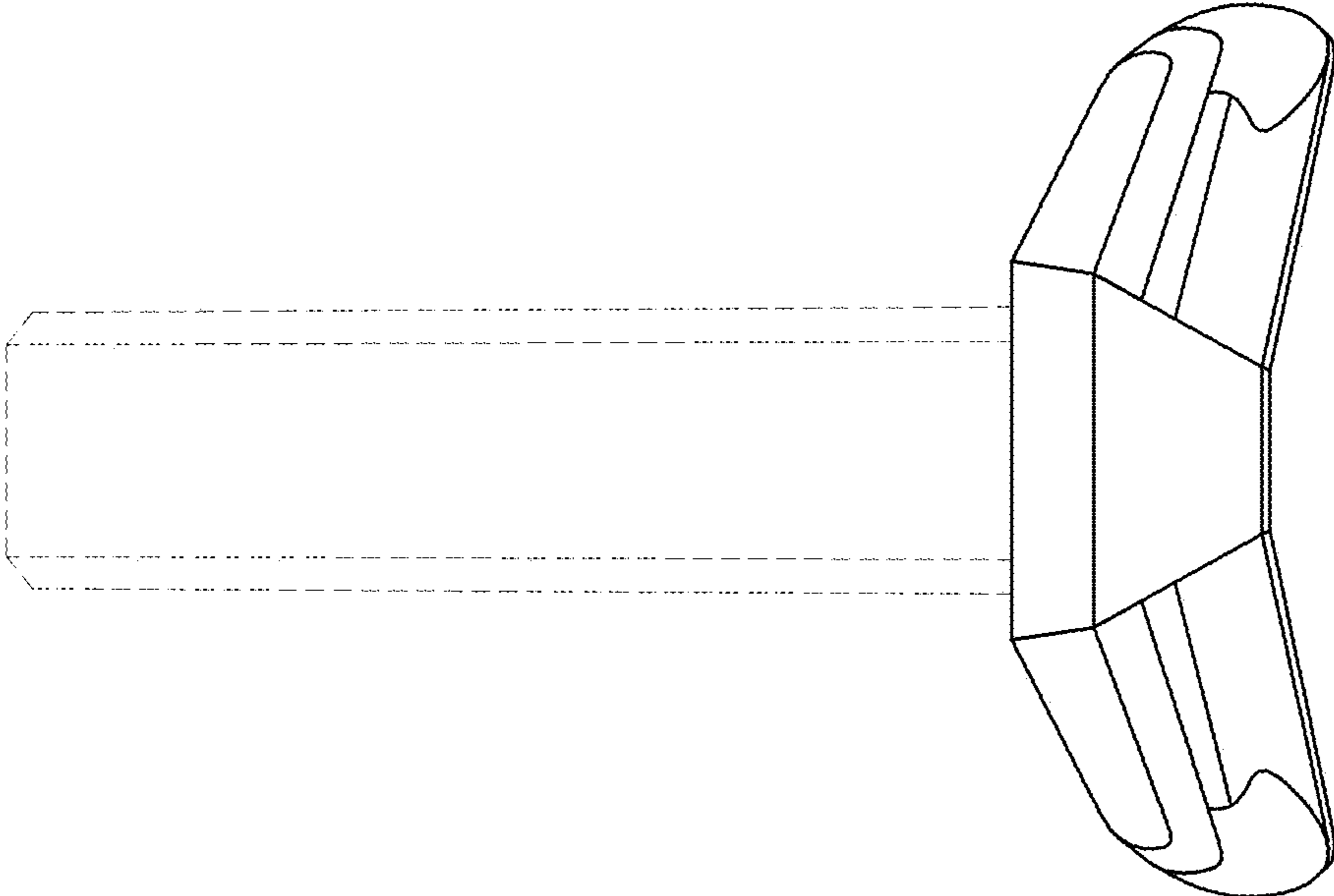


FIG. 6

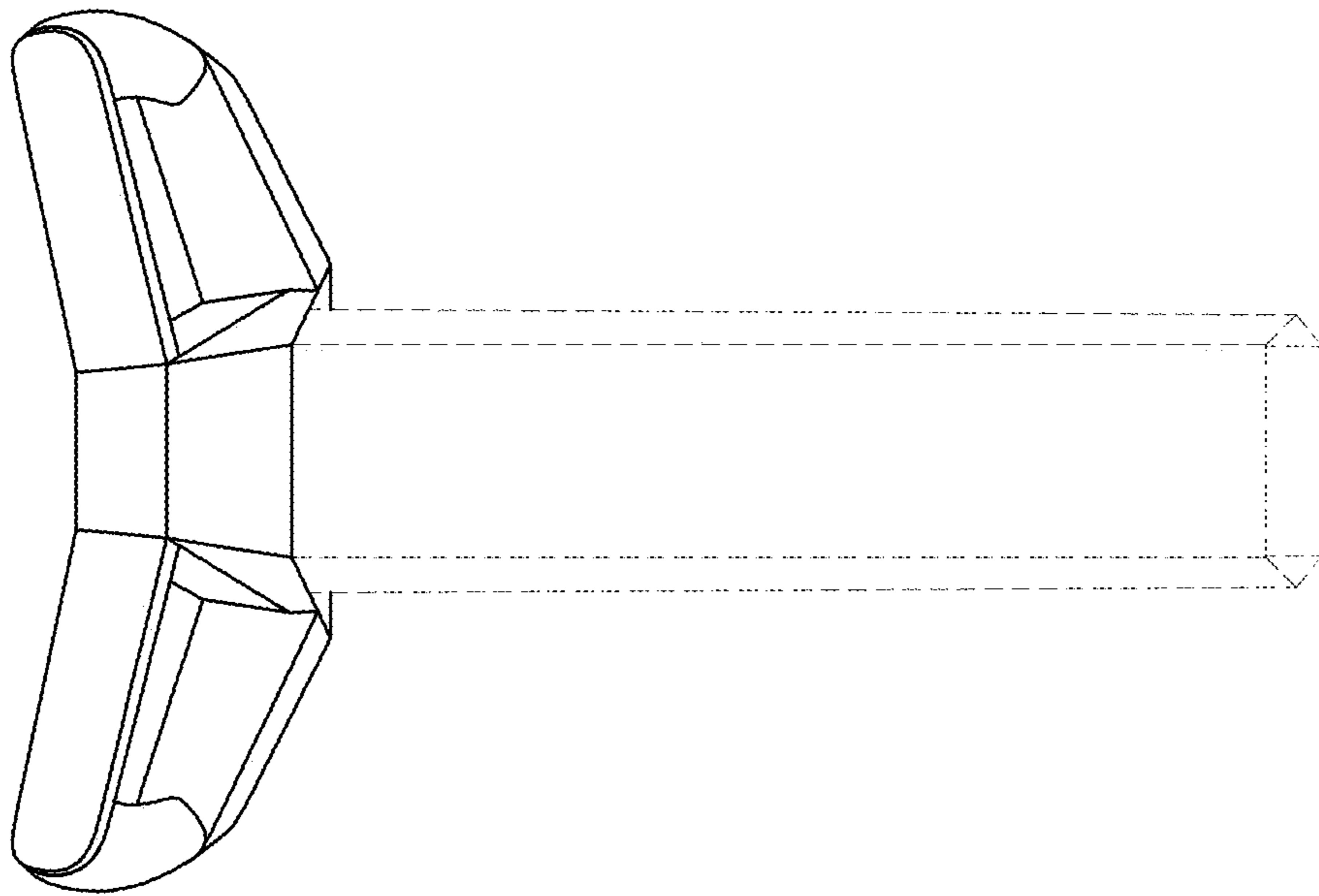


FIG. 7