



US00D933552S

(12) **United States Design Patent**  
**Furuki et al.**

(10) **Patent No.:** **US D933,552 S**  
(45) **Date of Patent:** **\*\* Oct. 19, 2021**

(54) **BUMPER FOR VEHICLES**

D534,843 S \* 1/2007 Higashi ..... D12/174  
D554,465 S \* 11/2007 Laurienzo ..... D12/179  
D801,907 S \* 11/2017 Gilman ..... D12/215

(71) Applicant: **KUBOTA CORPORATION**, Osaka  
(JP)

(Continued)

(72) Inventors: **Taiki Furuki**, Sakai (JP); **Junta Kuwae**, Sakai (JP)

**OTHER PUBLICATIONS**

(73) Assignee: **KUBOTA CORPORATION**, Osaka  
(JP)

“Grille Guard” Heritage Machine Works., posted date Jul. 21, 2013 [online], [retrieved on Dec. 30, 2020]. Retrieved from the Internet <URL: <http://www.heritagemachineworks.com/grille-brush-guard-for-kubota-gr-series-tractors.html>> (Year: 2013).\*

(\*\*) Term: **15 Years**

(Continued)

(21) Appl. No.: **29/718,461**

*Primary Examiner* — Darlington Ly

(22) Filed: **Dec. 24, 2019**

*Assistant Examiner* — Nasim Abdulaziz Ali

(30) **Foreign Application Priority Data**

(74) *Attorney, Agent, or Firm* — Birch, Stewart, Kolasch & Birch, LLP.

Jul. 12, 2019 (JP) ..... 2019-015740  
Oct. 28, 2019 (JP) ..... 2019-023961

(57) **CLAIM**

(51) **LOC (13) Cl.** ..... **12-16**

The ornamental design for a bumper for vehicles, as shown and described.

(52) **U.S. Cl.**  
USPC ..... **D12/172**; D12/171

**DESCRIPTION**

(58) **Field of Classification Search**  
USPC .... D12/86, 90, 91, 163, 169, 171, 172, 196, D12/216  
CPC ..... B60R 19/02; B60R 19/04; B62D 25/00; B62D 25/06; B62D 25/08; B62D 35/00  
See application file for complete search history.

FIG. 1 is a front perspective view of a bumper for vehicles embodying our new design;  
FIG. 2 is a front elevation view thereof;  
FIG. 3 is a rear elevation view thereof;  
FIG. 4 is a top plan view thereof;  
FIG. 5 is a bottom plan view thereof;  
FIG. 6 is a right side elevation view thereof;  
FIG. 7 is a left side elevation view thereof;  
FIG. 8 is a rear perspective view thereof;  
FIG. 9 is a cross-sectional view taken across line AA; and,  
FIG. 10 is right side elevation view thereof as installed on an exemplary vehicle.

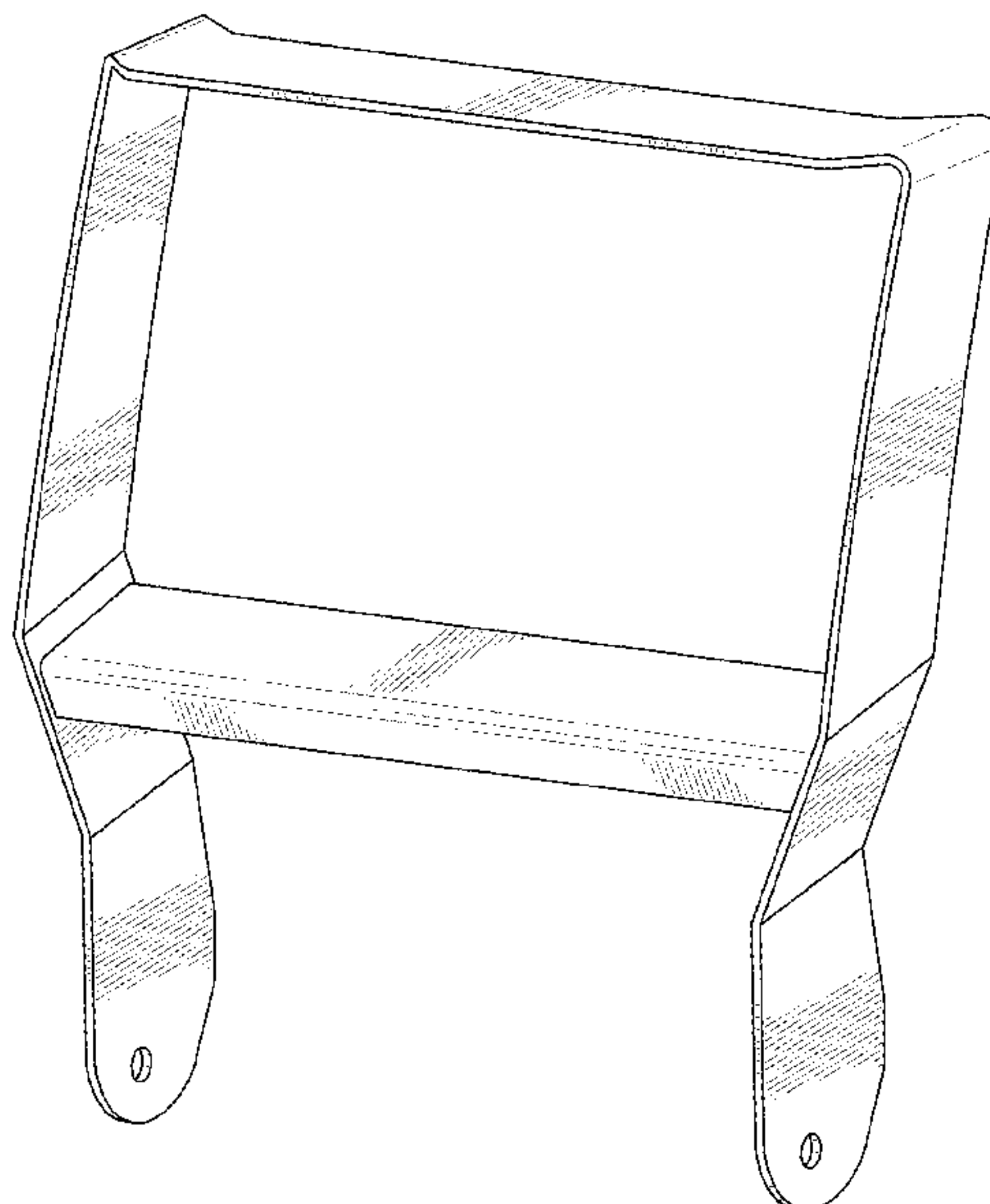
(56) **References Cited**

**U.S. PATENT DOCUMENTS**

D418,096 S \* 12/1999 Hubbart ..... D12/178  
D424,997 S \* 5/2000 Tamaribuchi ..... D12/178  
D430,072 S \* 8/2000 Harrison ..... D12/114  
6,615,687 B2 \* 9/2003 Bendetti ..... B62K 21/26  
74/551.8  
D512,894 S \* 12/2005 Nimphius ..... D12/114  
D533,813 S \* 12/2006 Fujiwara ..... B62J 33/00  
D12/114

The broken line showing of the vehicle is provided for the purpose of illustrating environmental structure and forms no part of the claimed design.

**1 Claim, 10 Drawing Sheets**



(56)

**References Cited**

U.S. PATENT DOCUMENTS

2015/0028014 A1\* 1/2015 Wang ..... B62J 33/00  
219/204

OTHER PUBLICATIONS

“John Deere Hood Guard” John Deere., posted date Sep. 27, 2015 [online], [retrieved on Dec. 30, 2020]. Retrieved from the Internet <URL: <https://www.greenpartstore.com/John-Deere-Hood-Guard-BW15084.html>> (Year: 2015).\*

Kubota BX Grill Guard Ballard Fabrication., posted date Jun. 24, 2017 [online], [retrieved on Dec. 30, 2020]. Retrieved from the Internet <URL: <http://ballardfabrication.com/BXgrillguard.html>> (Year: 2017).\*

\* cited by examiner

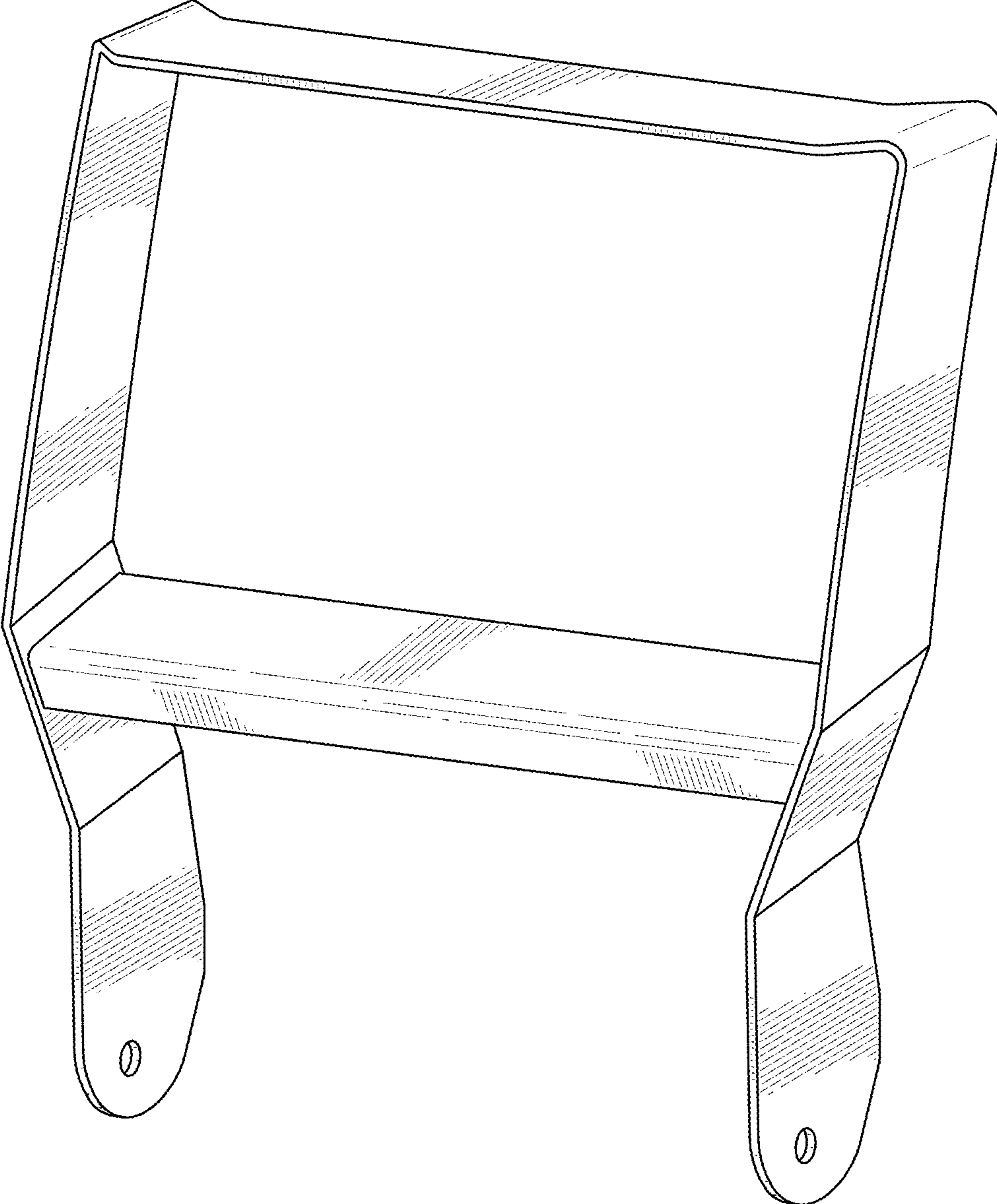


FIG.1

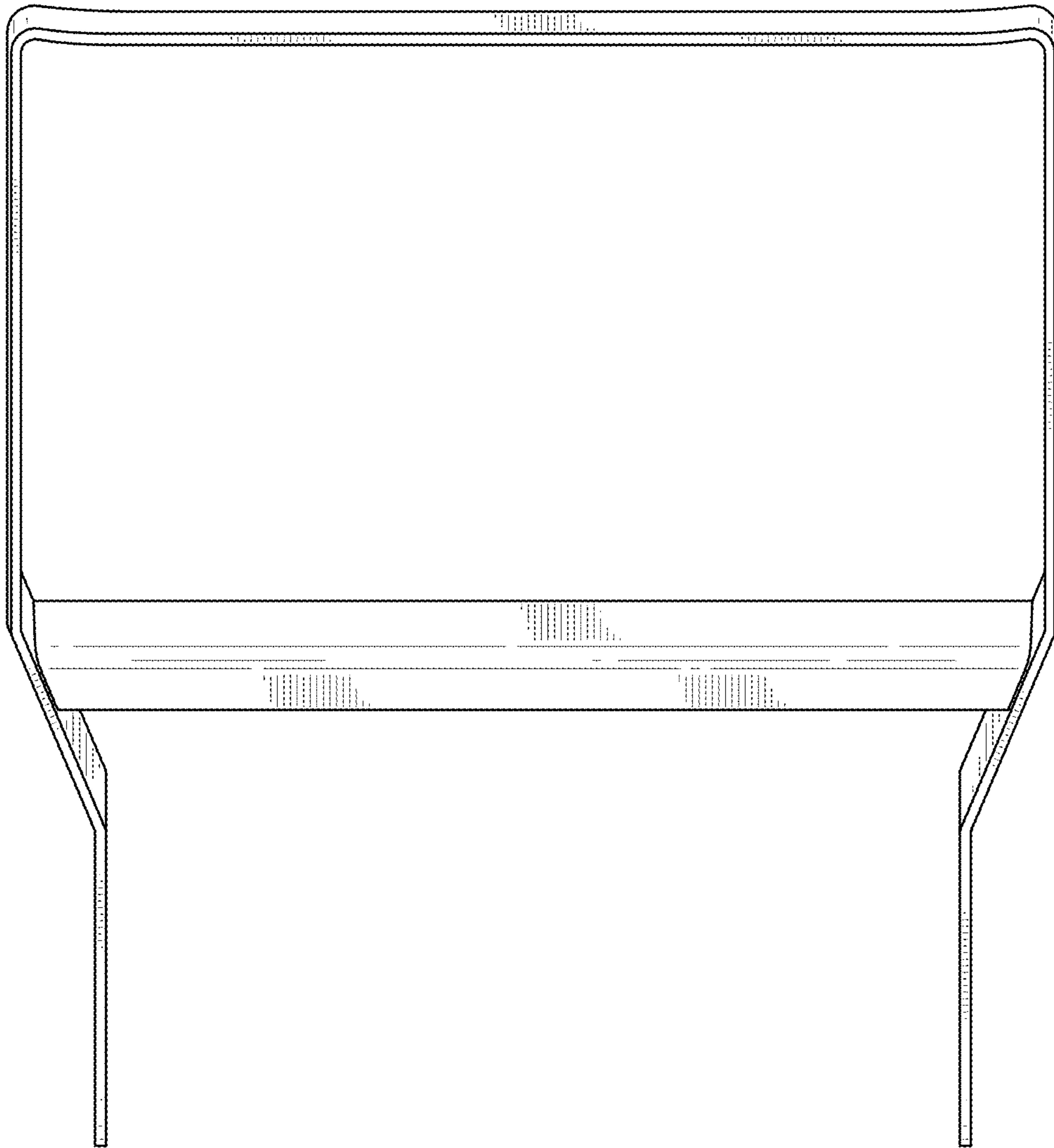


FIG.2

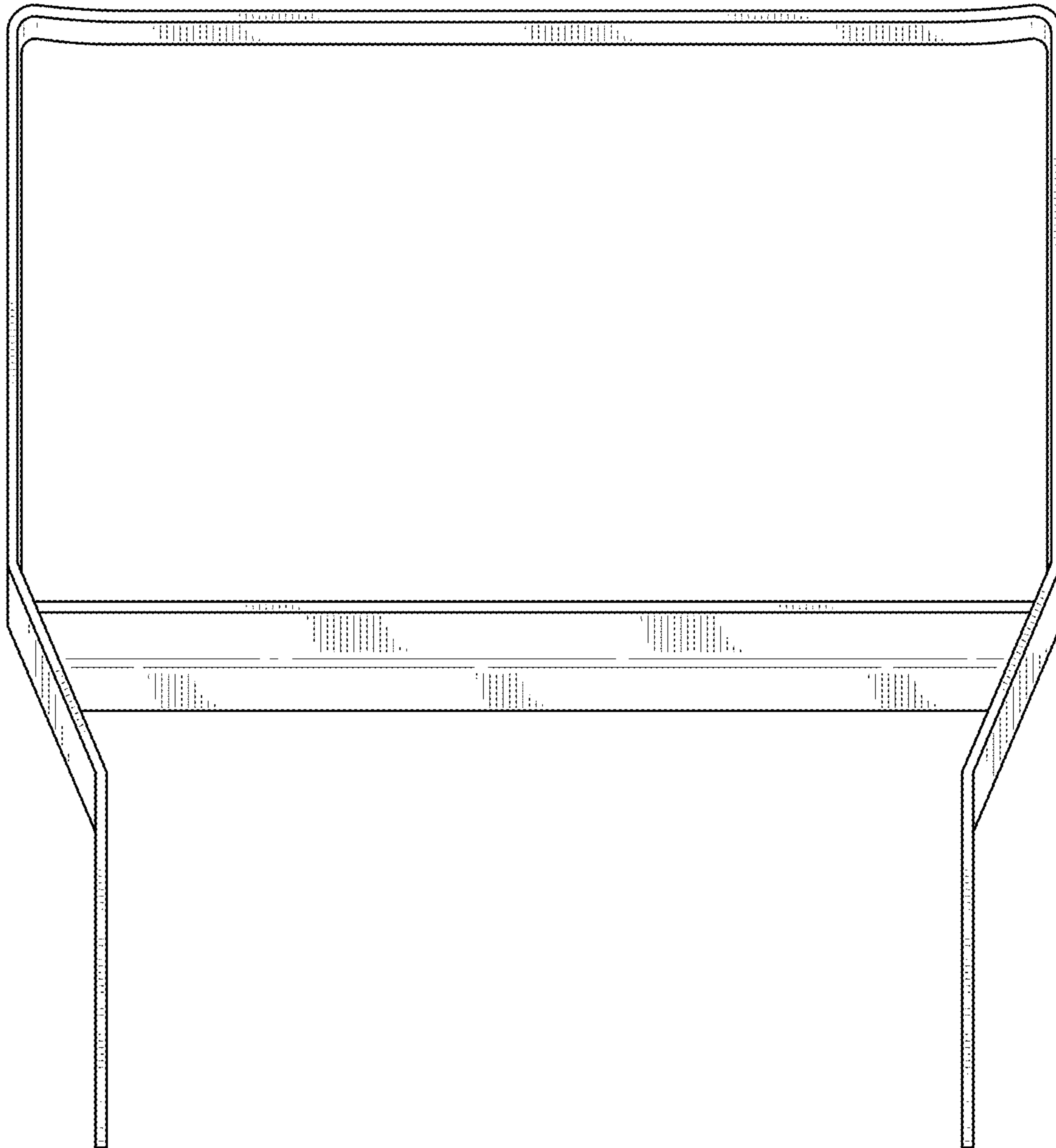


FIG.3

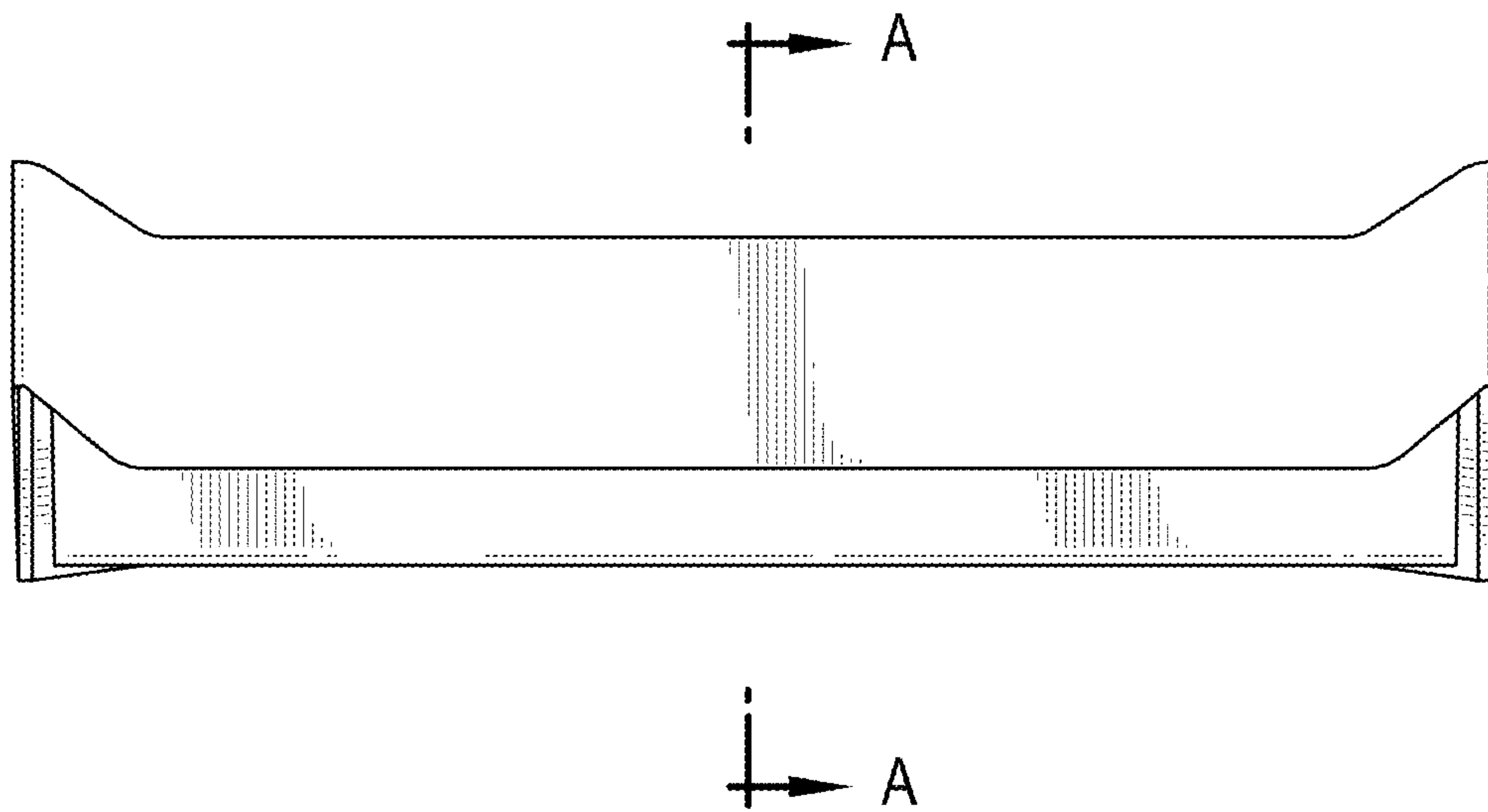


FIG.4

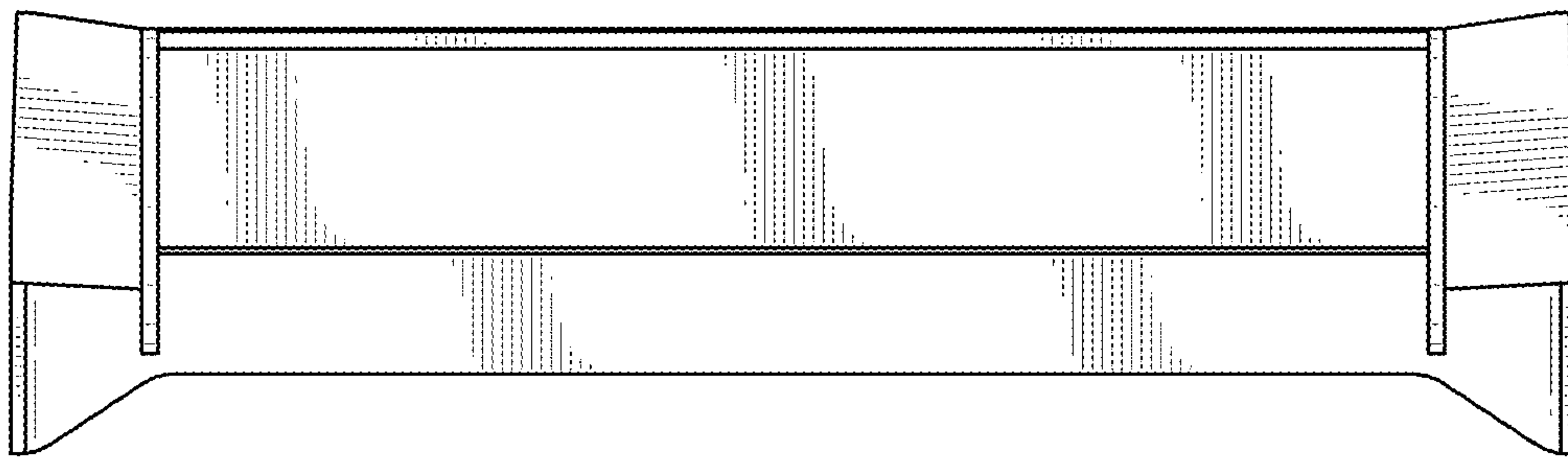


FIG.5

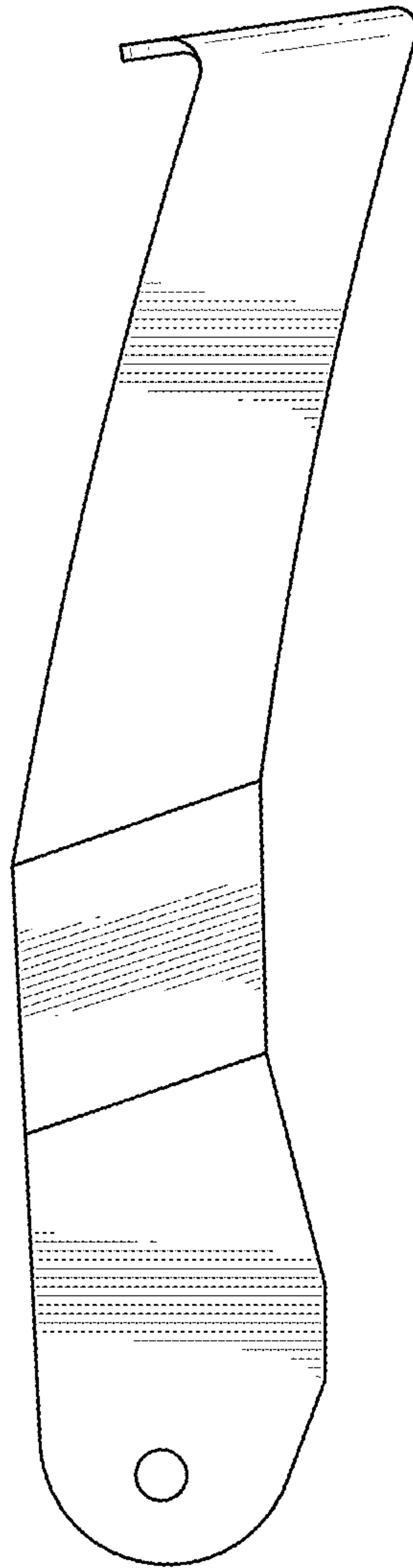


FIG.6



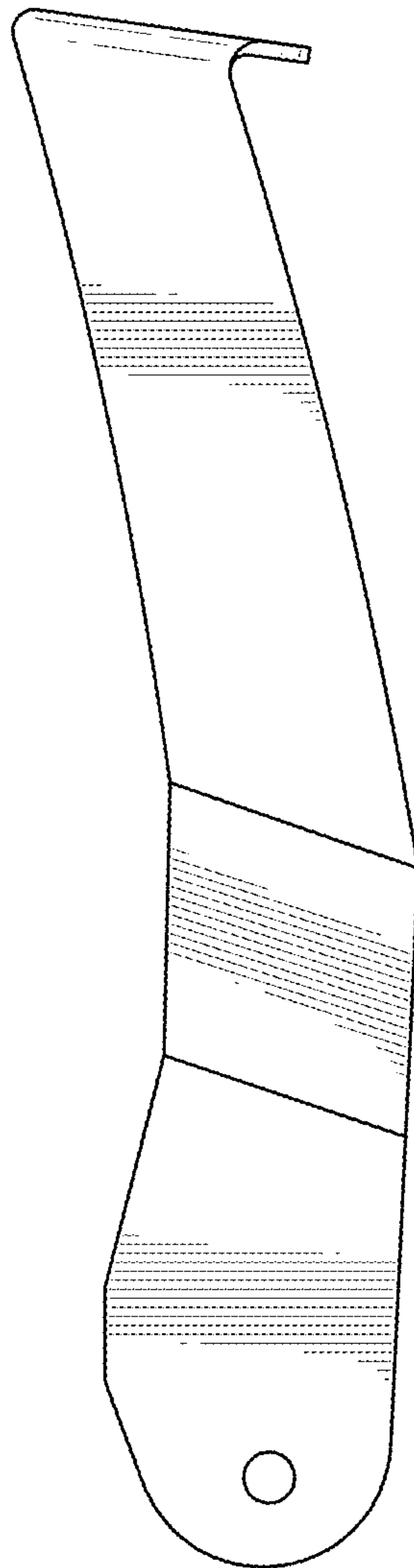


FIG.7

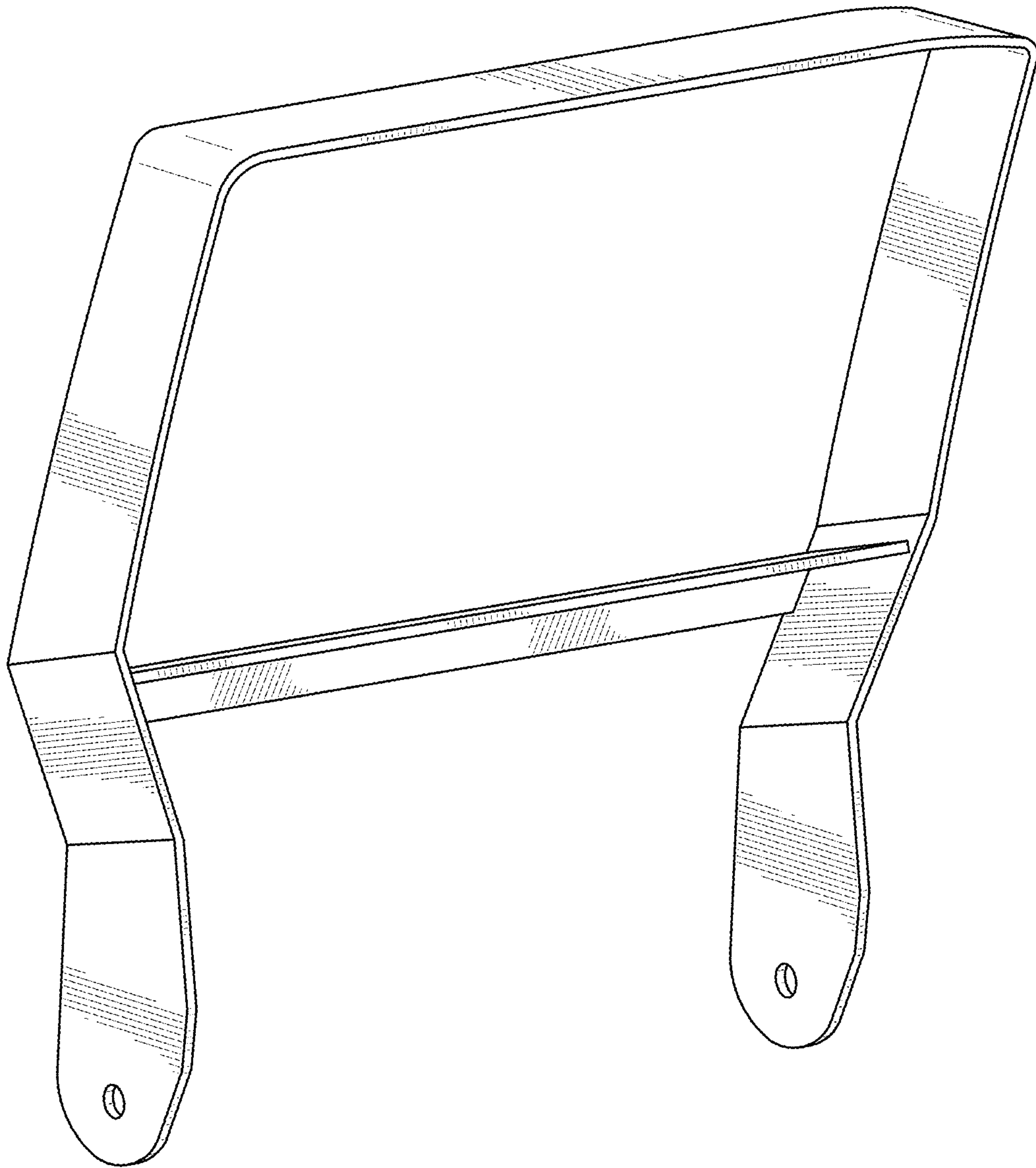


FIG.8

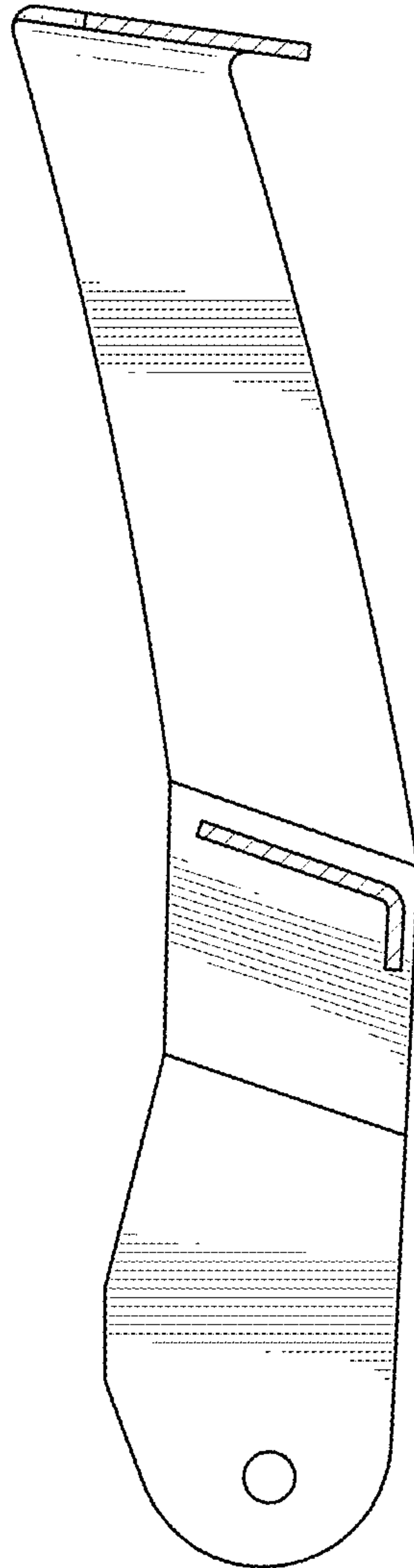


FIG.9

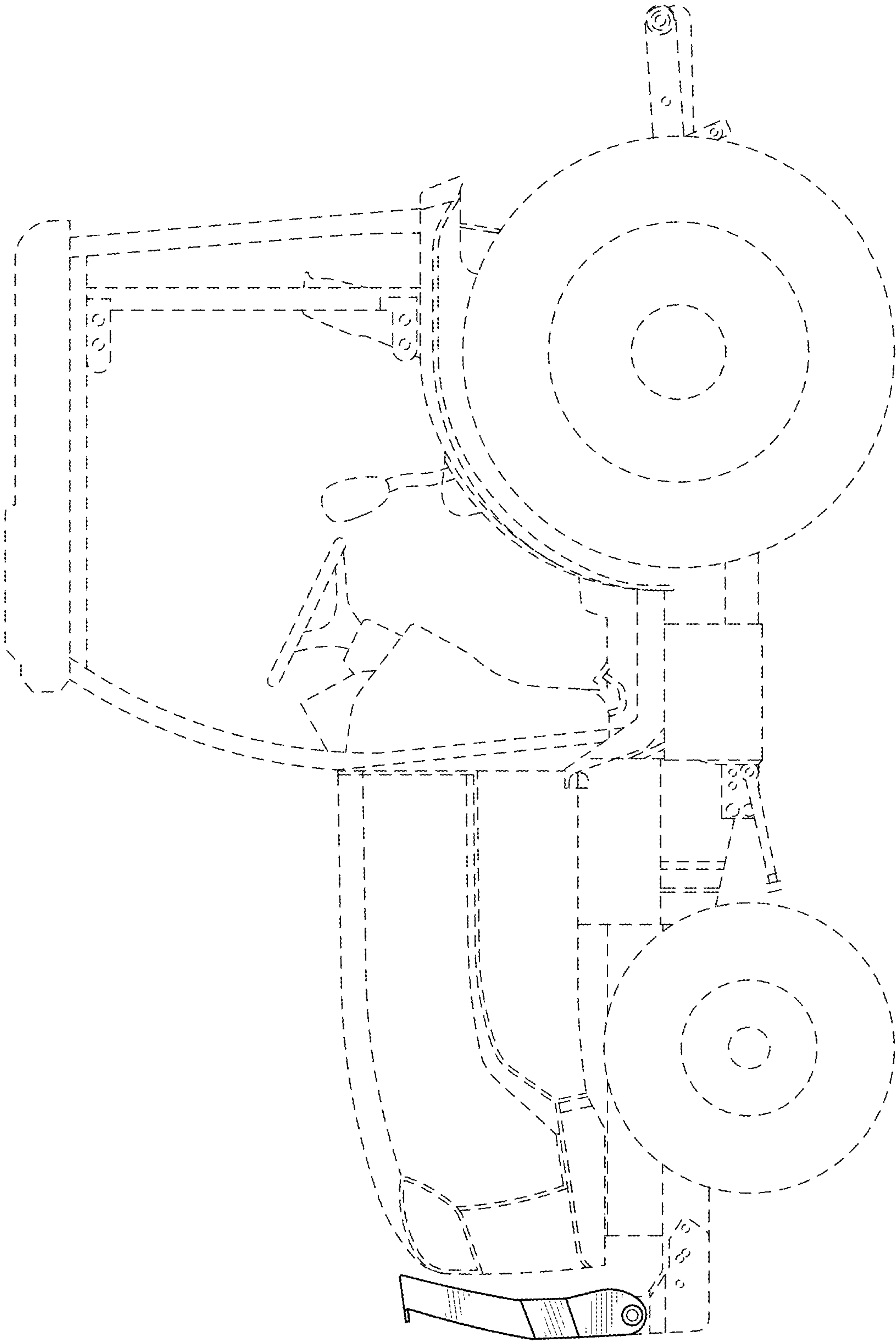


FIG.10