



US00D933551S

(12) **United States Design Patent** (10) **Patent No.:** **US D933,551 S**  
**Wraith et al.** (45) **Date of Patent:** **\*\* Oct. 19, 2021**

(54) **VEHICLE FRONT BUMPER COVER END CAP**

(71) Applicant: **Ford Global Technologies, LLC,**  
Dearborn, MI (US)

(72) Inventors: **Paul Wraith,** West Bloomfield, MI (US); **Martin B. Coons,** Detroit, MI (US); **Anthony Meyer,** Royal Oak, MI (US); **Joseph F. Denatale, Jr.,** Royal Oak, MI (US)

(73) Assignee: **Ford Global Technologies, LLC,**  
Dearborn, MI (US)

(\*\*) Term: **15 Years**

(21) Appl. No.: **29/726,373**

(22) Filed: **Mar. 3, 2020**

(51) **LOC (13) Cl.** ..... **12-16**

(52) **U.S. Cl.**  
USPC ..... **D12/169**

(58) **Field of Classification Search**  
USPC .... D12/86, 88, 89, 90, 91, 92, 93, 101, 102, D12/106, 144, 163, 164, 167, 169, 171, D12/173, 181, 184, 185, 190, 192, 196, D12/216, 400; D21/533, 548, 552, 561; D15/28  
CPC ..... B60R 19/00; B60R 19/02; B60R 19/18; B60R 19/24; B60R 19/52; B60R 19/56; B60R 2019/007; B62D 25/08; B60K 11/08

See application file for complete search history.

(56) **References Cited**

**U.S. PATENT DOCUMENTS**

D590,752 S \* 4/2009 Williams ..... D12/169  
D683,280 S \* 5/2013 Hanson ..... D12/163  
D713,305 S \* 9/2014 Sperling ..... D12/169  
D737,739 S \* 9/2015 Hanson ..... D12/169

D755,688 S \* 5/2016 Sato ..... D12/169  
D763,144 S \* 8/2016 Platto ..... D12/169  
D777,619 S \* 1/2017 Barajas ..... D12/171  
D840,299 S \* 2/2019 Dewitt ..... D12/169  
D850,991 S \* 6/2019 Bucher ..... D12/169  
D868,650 S \* 12/2019 Gifford ..... D12/169  
D881,085 S \* 4/2020 Dewitt ..... D12/169  
D881,086 S \* 4/2020 Dewitt ..... D12/169

(Continued)

**OTHER PUBLICATIONS**

2021 Ford Bronco, Published Apr. 27, 2021 [online], [retrieved on Jun. 27, 2021]. Retrieved from the Internet: [https://www.thecarconnection.com/news/1132066\\_5-things-to-know-about-the-2021-ford-bronco#image=100790014](https://www.thecarconnection.com/news/1132066_5-things-to-know-about-the-2021-ford-bronco#image=100790014) (Year: 2021).\*

(Continued)

*Primary Examiner* — Christian P. McLean

*Assistant Examiner* — Adam C Mager

(74) *Attorney, Agent, or Firm* — Michael Spenner

(57) **CLAIM**

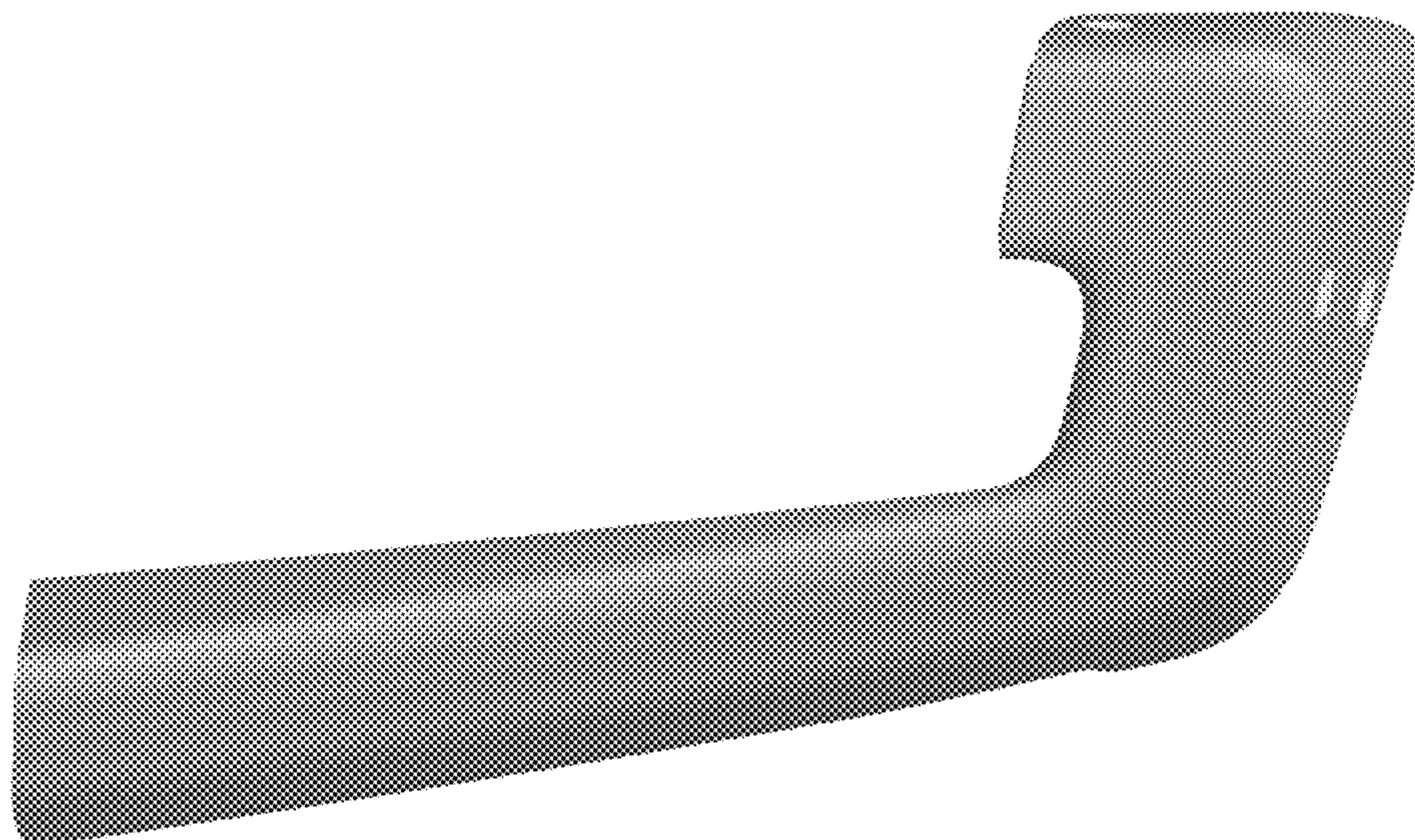
The ornamental design for a vehicle front bumper cover end cap, as shown and described.

**DESCRIPTION**

FIG. 1 is a front elevational view of a vehicle front bumper cover end cap, showing our new design;  
FIG. 2 is a left side elevational view thereof;  
FIG. 3 is a right side elevational view thereof;  
FIG. 4 is a top plan view thereof;  
FIG. 5 is a bottom plan view thereof;  
FIG. 6 is a top, front and left side perspective view thereof; and,  
FIG. 7 is a bottom, front and left side perspective view thereof.

The claimed design is indicated by the relatively dark portions in the figures. The de-emphasized and relatively light portions form no part of the claimed design.

**1 Claim, 7 Drawing Sheets**



(56)

**References Cited**

U.S. PATENT DOCUMENTS

D893,366 S \* 8/2020 Dewitt ..... D12/169  
D907,544 S \* 1/2021 Wall ..... D12/171

OTHER PUBLICATIONS

Unknown, My observations from seeing see the actual 4-door Bronco raw, unpainted sheet metal shell, Feb. 15, 2020 <https://www.bronco6g.com/forum/threads/my-observations-from-seeing-see-the-actual-4-door-bronco-raw-unpainted-sheet-metal-shell.1048/>.

Unknown, Here's the 2021 Bronco's Tail Light Shape Illuminated, Feb. 19, 2020 <https://www.bronco6g.com/forum/threads/heres-the-2021-broncos-tail-light-shape-illuminated.1071/>.

Unknown, 2021 Bronco Interior Spied Undisguised!!, Feb. 25, 2020 <https://www.bronco6g.com/forum/threads/2021-bronco-interior-spied-undisguised.1096/>.

\* cited by examiner





Fig.1



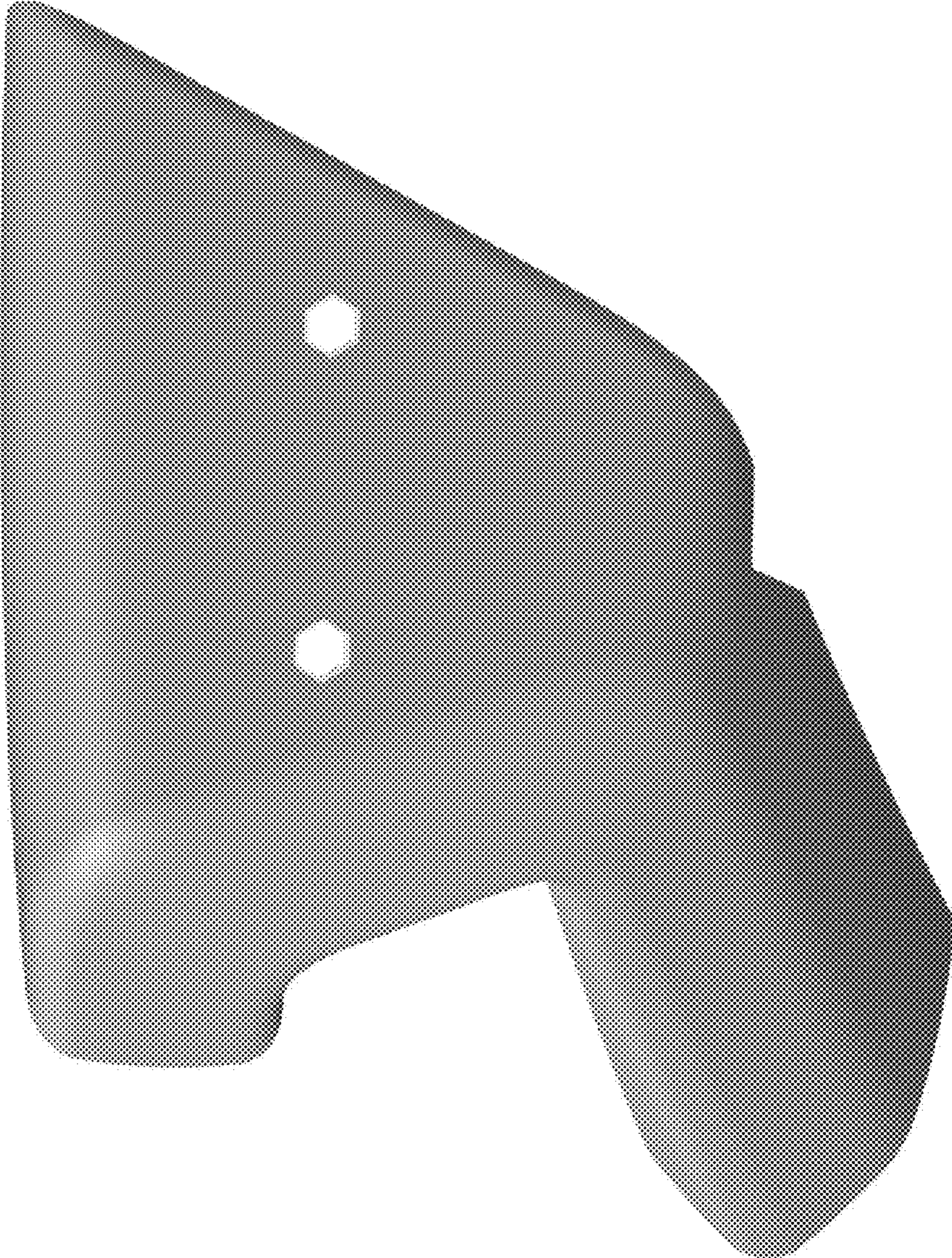


Fig.2

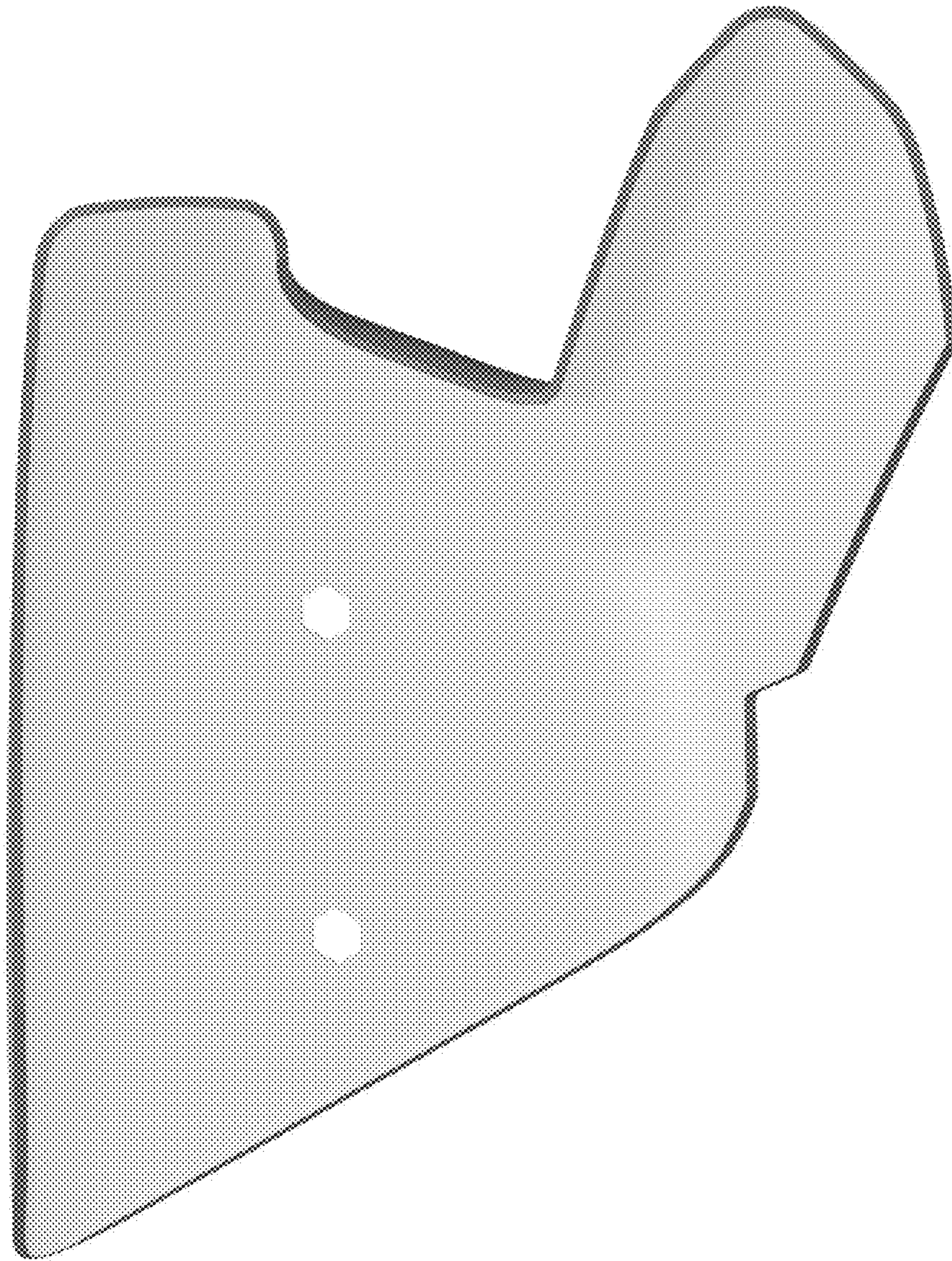


Fig. 3



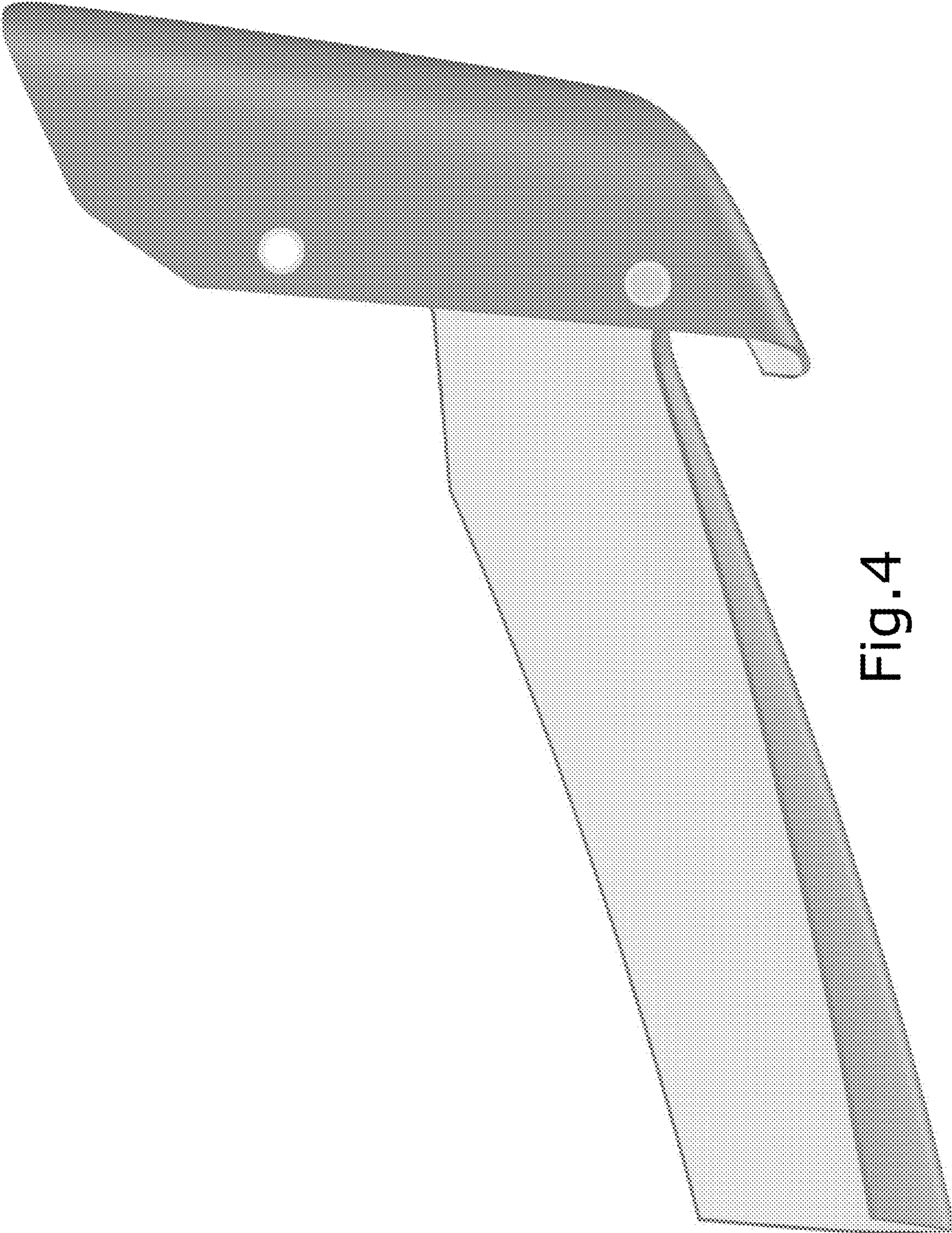


Fig.4



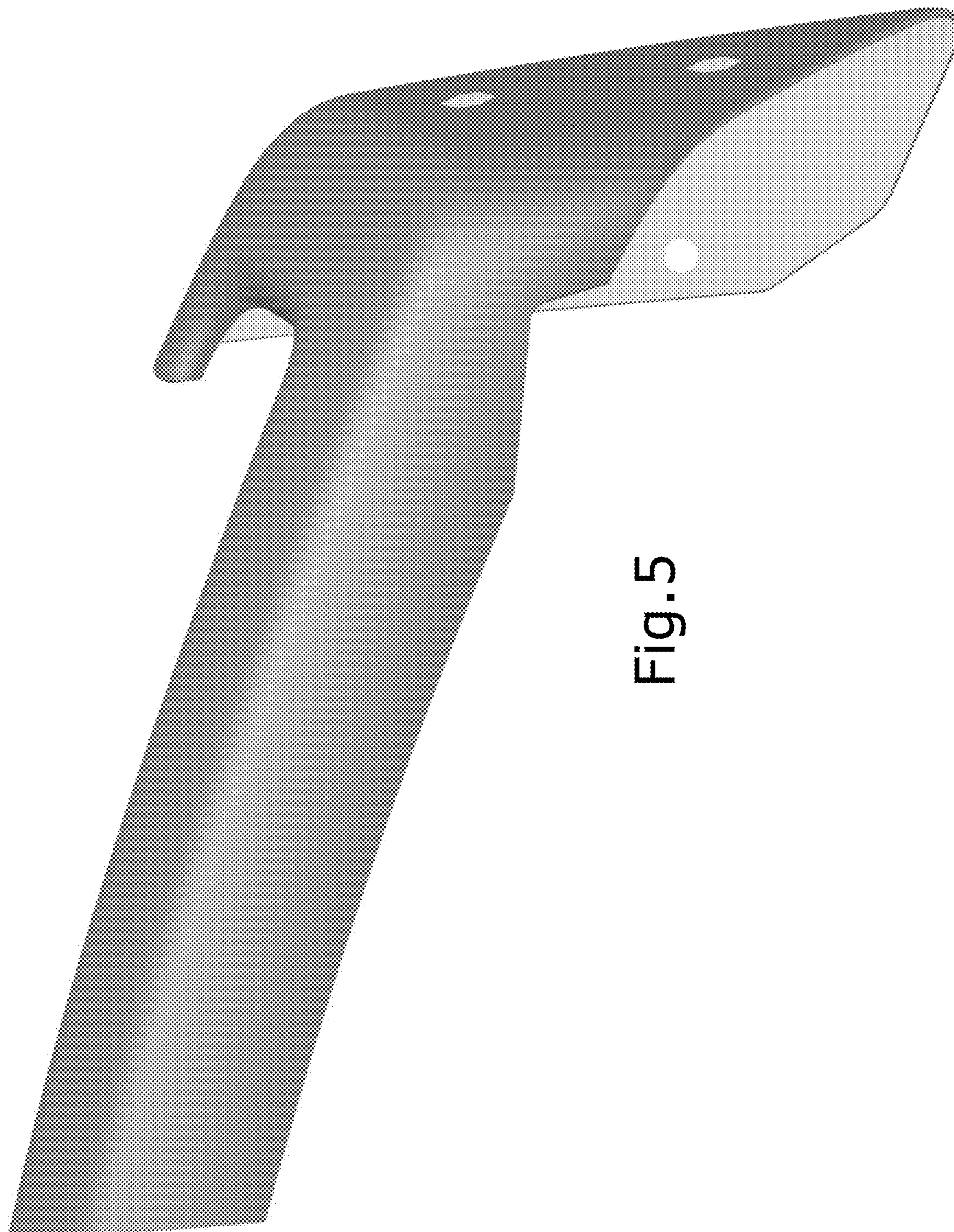


Fig. 5



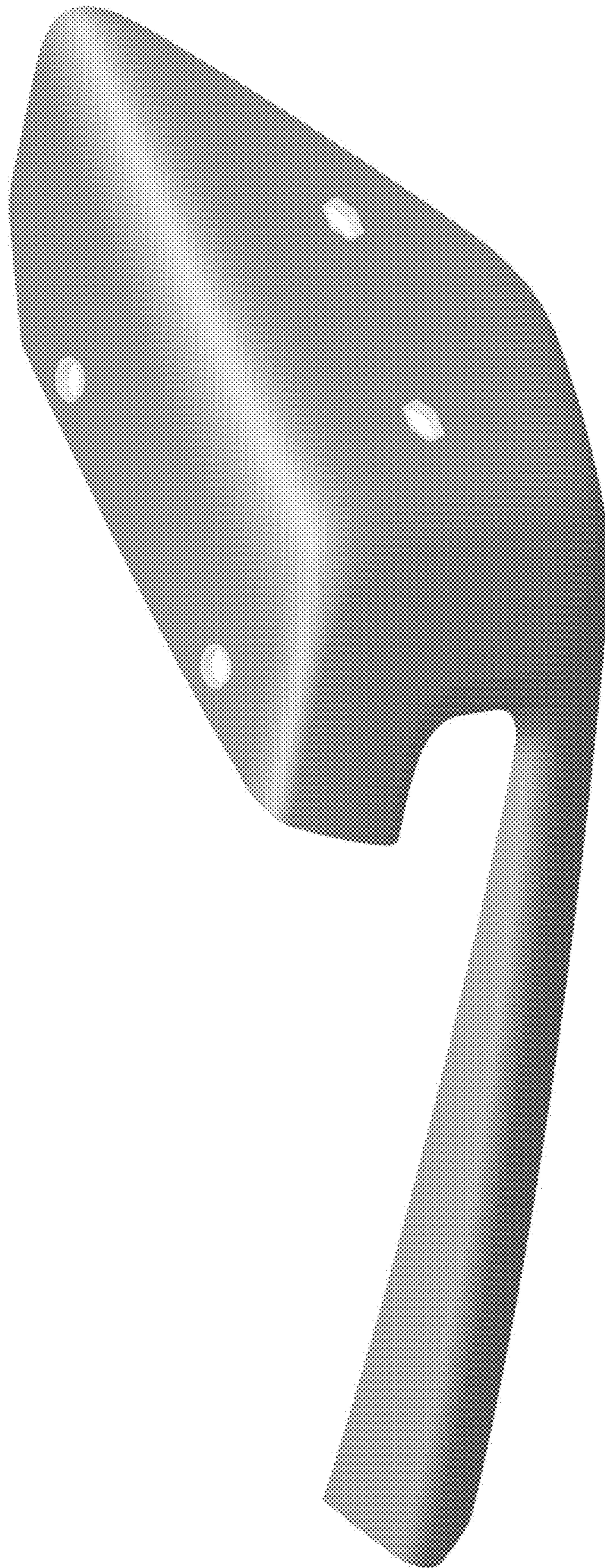


Fig. 6



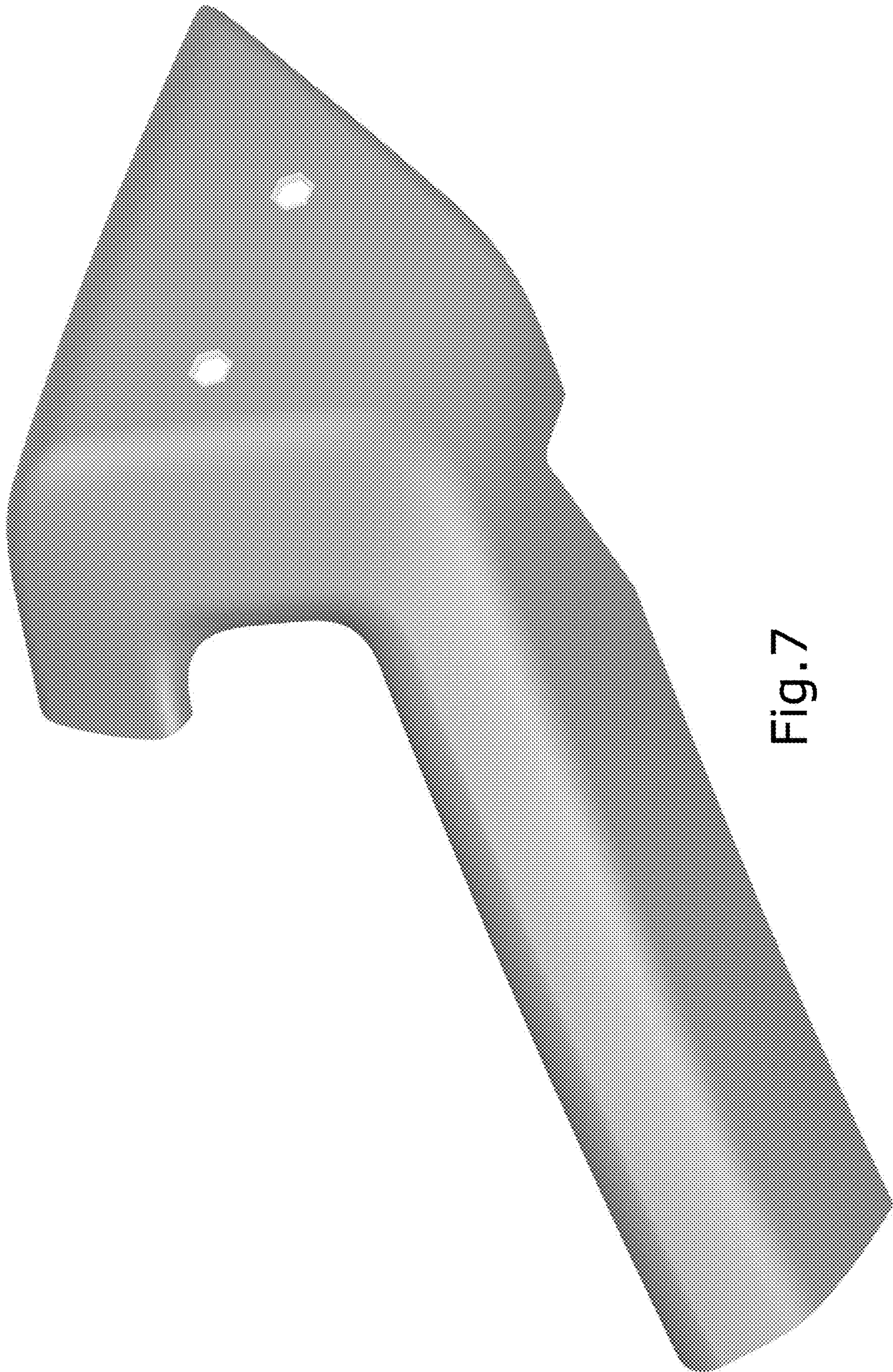


Fig. 7