



US00D933550S

(12) **United States Design Patent**  
**Chiang**

(10) **Patent No.:** **US D933,550 S**

(45) **Date of Patent:** **\*\* Oct. 19, 2021**

(54) **FRONT BUMPER LOWER LIP SPLITTER**

(71) Applicant: **Man Kit Chiang**, Fremont, CA (US)

(72) Inventor: **Man Kit Chiang**, Fremont, CA (US)

(\*\*) Term: **15 Years**

(21) Appl. No.: **29/722,017**

(22) Filed: **Jan. 24, 2020**

(51) **LOC (13) Cl.** ..... **12-16**

(52) **U.S. Cl.**  
USPC ..... **D12/169**

(58) **Field of Classification Search**  
USPC ..... D12/82, 85, 86, 87, 88, 89, 90, 91, 92,  
D12/93, 96, 97, 98, 99, 163, 164, 165,  
D12/166, 167, 169, 170, 171, 172, 173,  
D12/181, 184, 185, 190, 196, 216, 223,  
D12/400; D21/533, 548, 552, 561;  
D15/31

CPC ..... B60R 19/00; B60R 19/02; B60R 19/24;  
B60R 19/50; B60R 19/52; B60R 19/56;  
B60R 2019/026; B60R 2019/525; B60R  
2019/527; B60R 2019/1813; B60R  
2019/1833; B60R 2019/1886; B62D  
25/08; B62D 25/084; B62D 25/16; B62D  
25/18; B62D 25/161; B62D 25/168;  
B62D 25/182

See application file for complete search history.

(56) **References Cited**

**U.S. PATENT DOCUMENTS**

D744,916 S	*	12/2015	Curic	.....	D12/169
D744,922 S	*	12/2015	Jamieson	.....	D12/196
D797,619 S	*	9/2017	Jung	.....	D12/169
D799,385 S	*	10/2017	Kozub	.....	D12/163
D813,746 S	*	3/2018	Behmer	.....	D12/169
D813,747 S	*	3/2018	Behmer	.....	D12/169
D822,557 S	*	7/2018	DiCanzio	.....	D12/169
D848,321 S	*	5/2019	Lu	.....	D12/169

D864,063 S	*	10/2019	DiCanzio	.....	D12/181
D876,300 S	*	2/2020	Chiang	.....	D12/181
D889,327 S	*	7/2020	Lu	.....	D12/169
D891,313 S	*	7/2020	Ninov	.....	D12/163
D906,192 S	*	12/2020	Metros	.....	D12/169

**OTHER PUBLICATIONS**

Corvette C7 Front Splitter—Extreme Online Store, Published on Nov. 25, 2017 [online], [retrieved on Mar. 1, 2021]. Retrieved from the Internet: [https://www.amazon.com/Extreme-Online-Store-2014-Present-Chevrolet/dp/B079PPJ75G/ref=sr\\_1\\_1?dchild=1&keywords=B079PPJ75G&qid=1614604137&sr=8-1](https://www.amazon.com/Extreme-Online-Store-2014-Present-Chevrolet/dp/B079PPJ75G/ref=sr_1_1?dchild=1&keywords=B079PPJ75G&qid=1614604137&sr=8-1) (Year: 2017).\*

\* cited by examiner

*Primary Examiner* — Christian P. McLean  
*Assistant Examiner* — Adam C Mager

(57) **CLAIM**

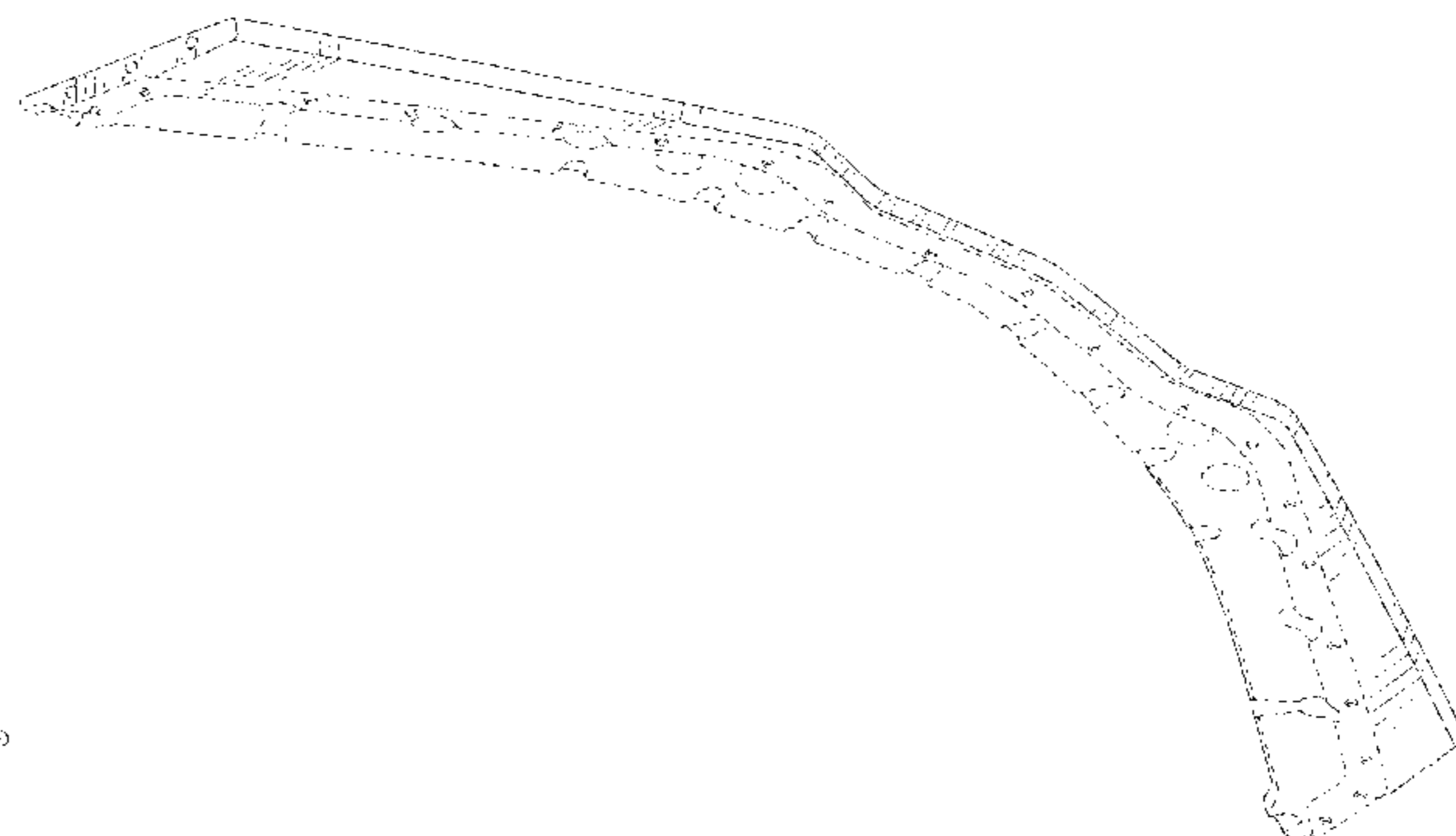
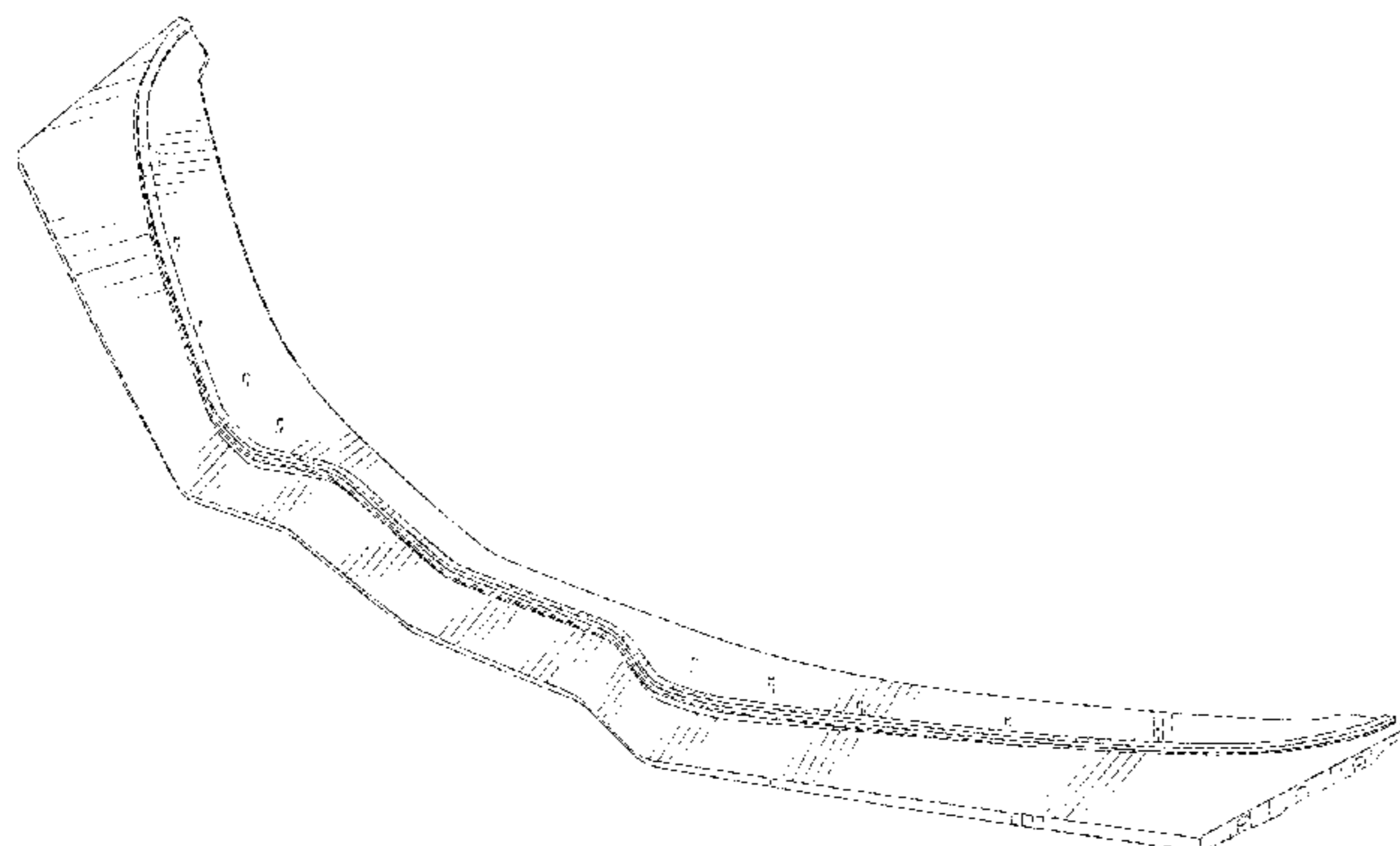
The ornamental design for a front bumper lower lip splitter, as shown and described.

**DESCRIPTION**

FIG. 1 is a top front perspective view of a front bumper lower lip splitter showing my new design; FIG. 2 is a bottom front perspective view thereof; FIG. 3 is a top rear perspective view thereof; FIG. 4 is a bottom rear perspective view thereof; FIG. 5 is a front elevated view thereof; FIG. 6 is a rear elevated view thereof; FIG. 7 is a top plan view thereof; FIG. 8 is a bottom plan view thereof; FIG. 9 is an enlarged right elevated view thereof; and, FIG. 10 is an enlarged left elevated view thereof.

The broken lines showing of an attachment portion and fasteners in FIG. 1-10 are included for the purpose of showing environmental structure and form no part of the claimed design.

**1 Claim, 10 Drawing Sheets**



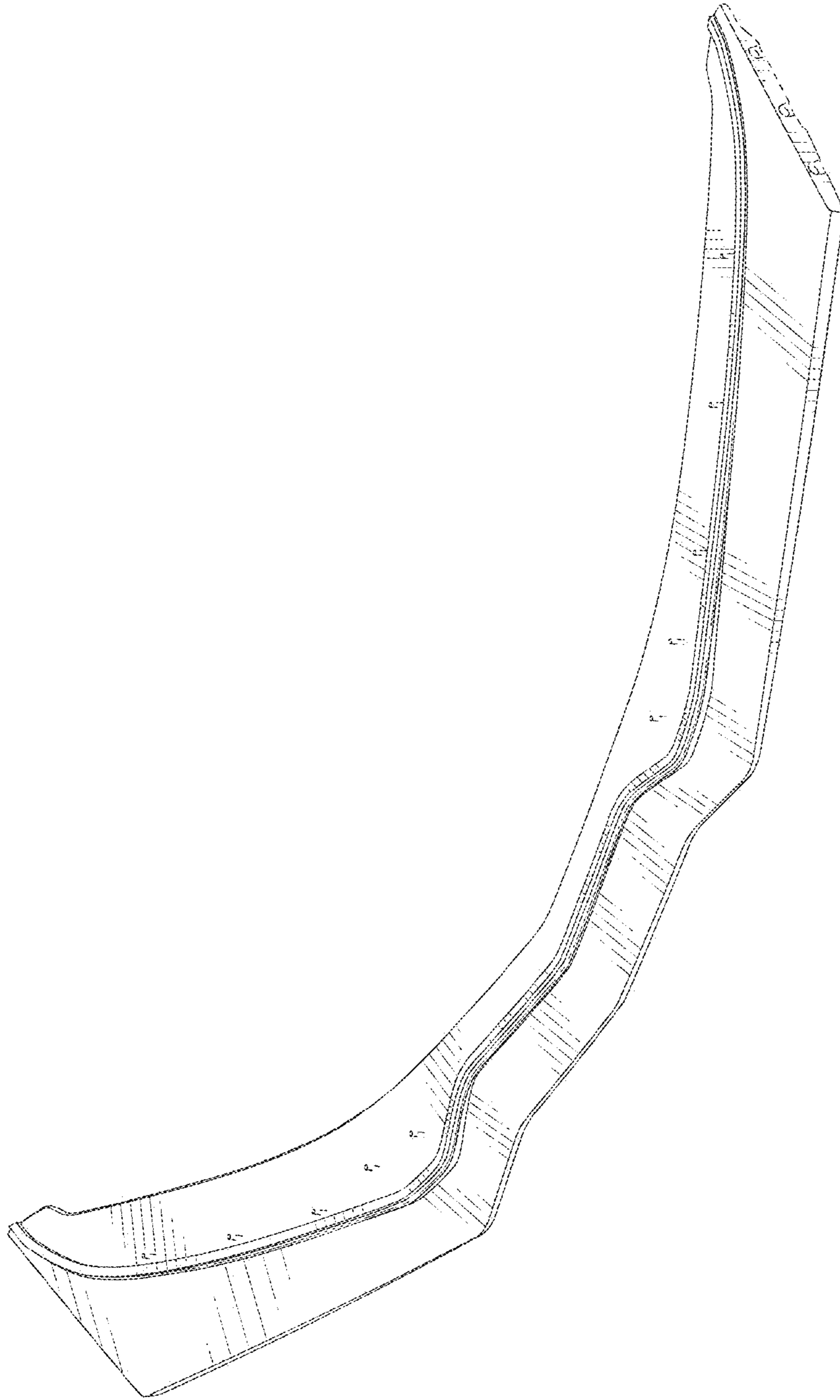


FIG. 1

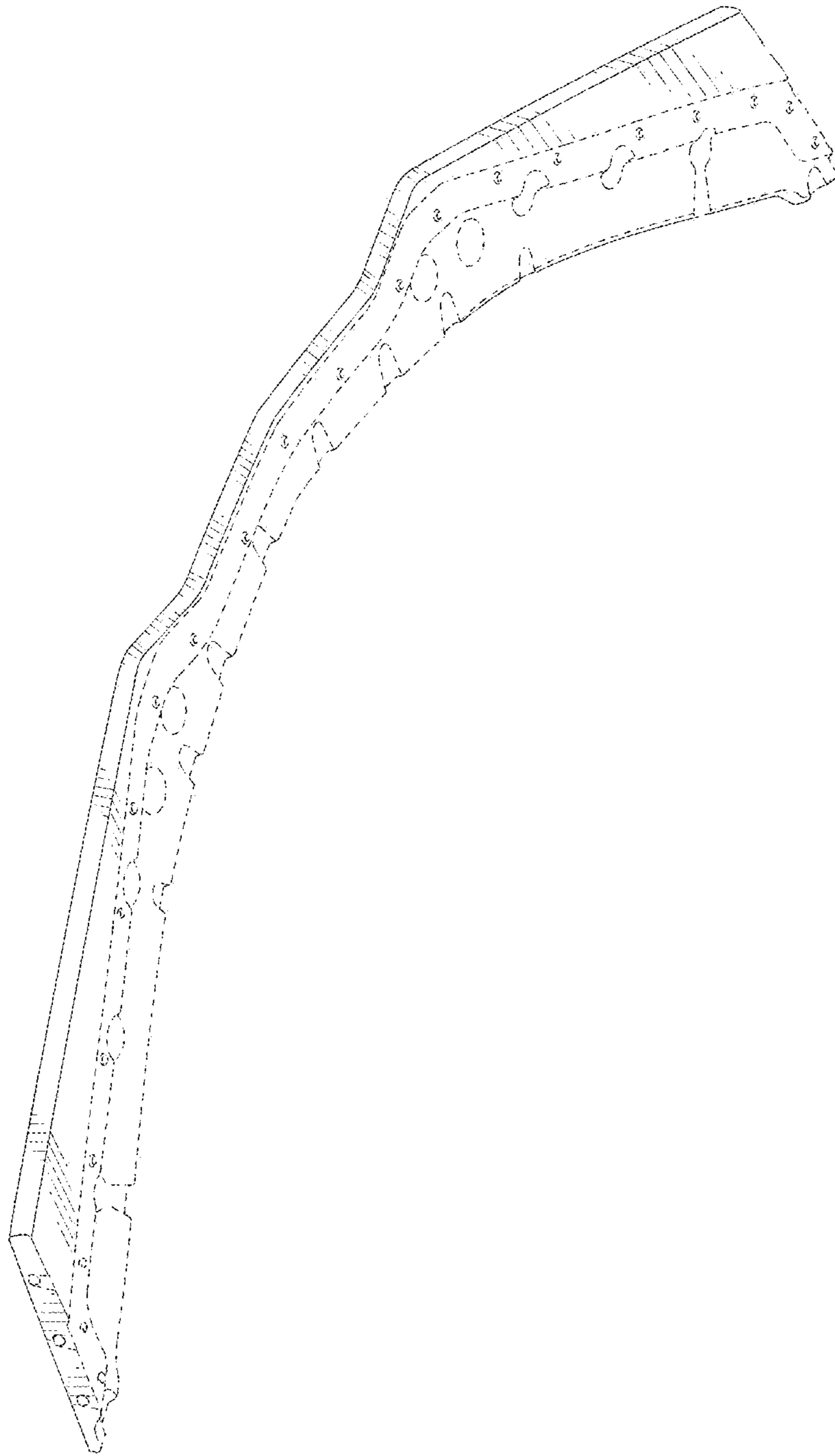


FIG. 2

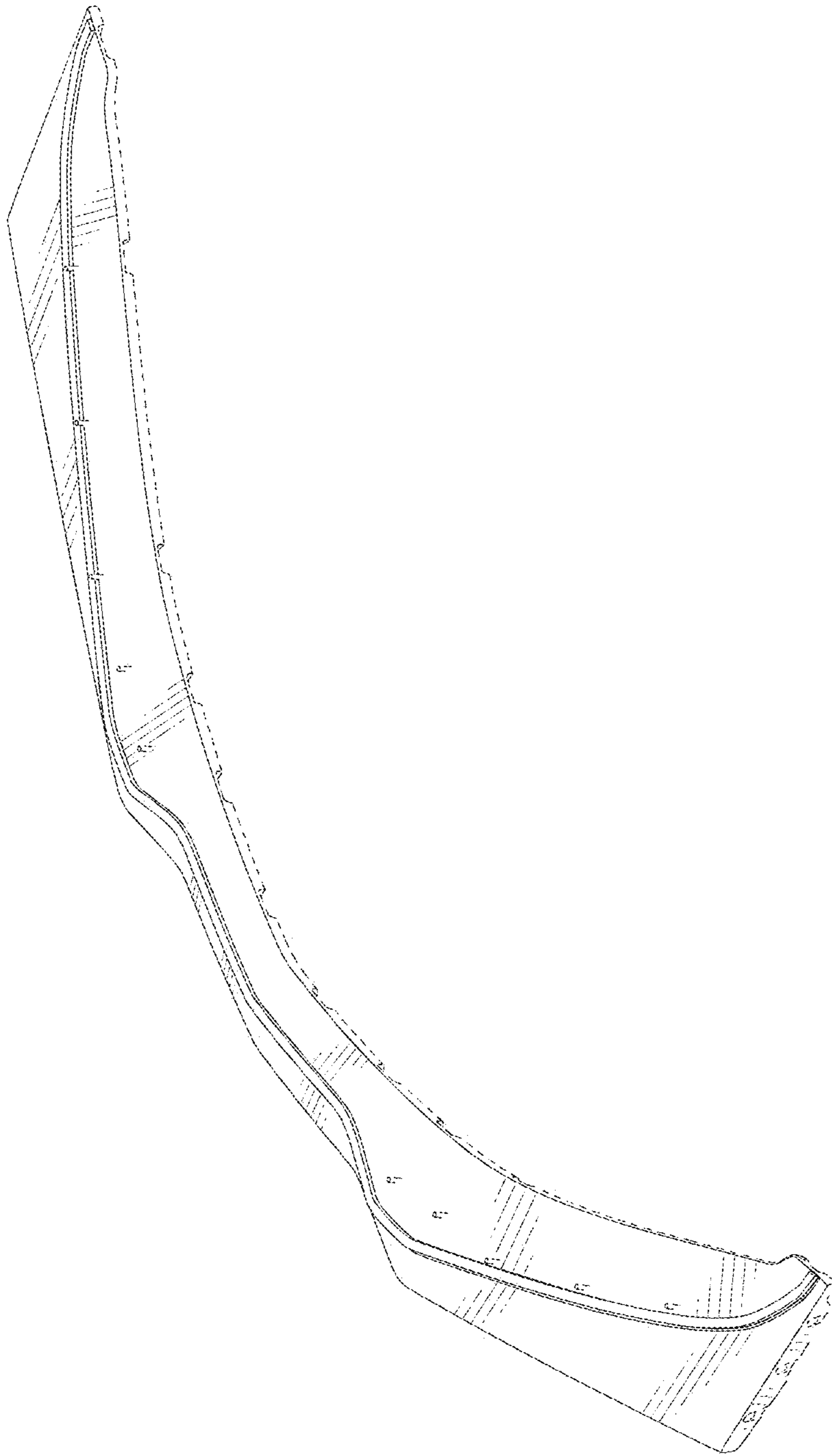


FIG. 3

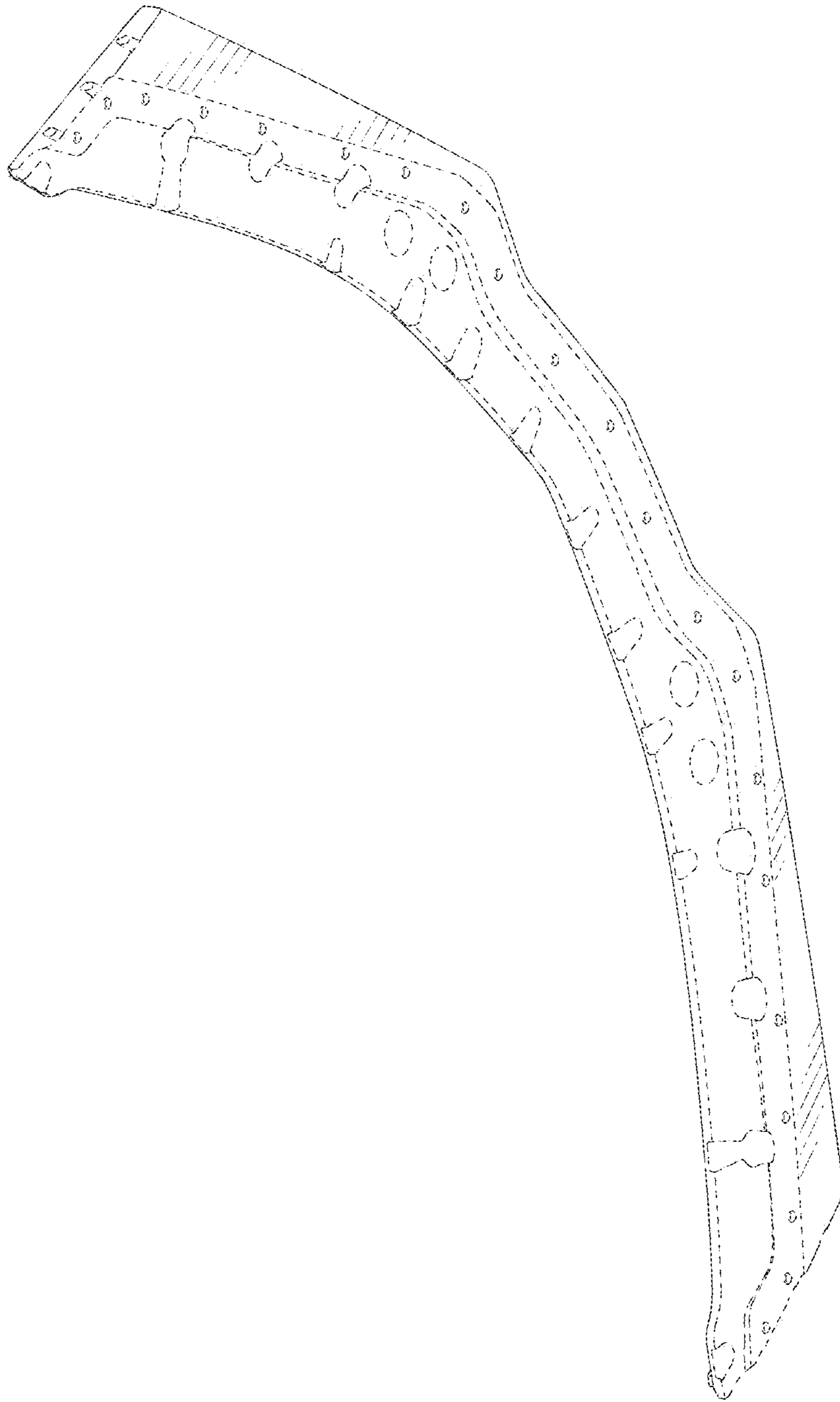


FIG. 4

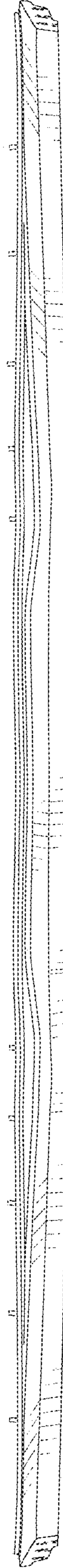


FIG. 5

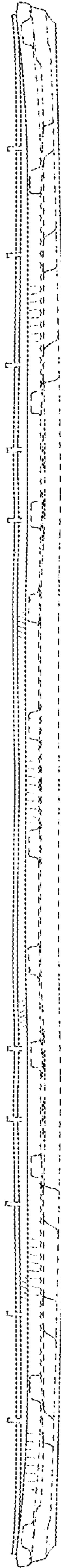


FIG. 6

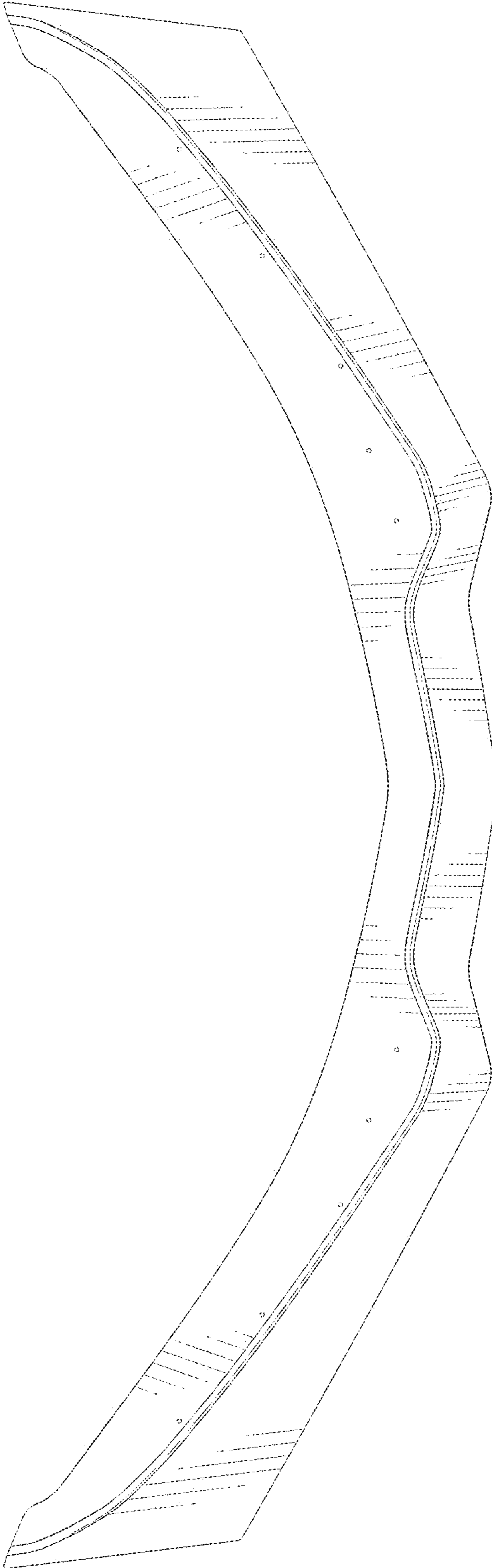


FIG. 7



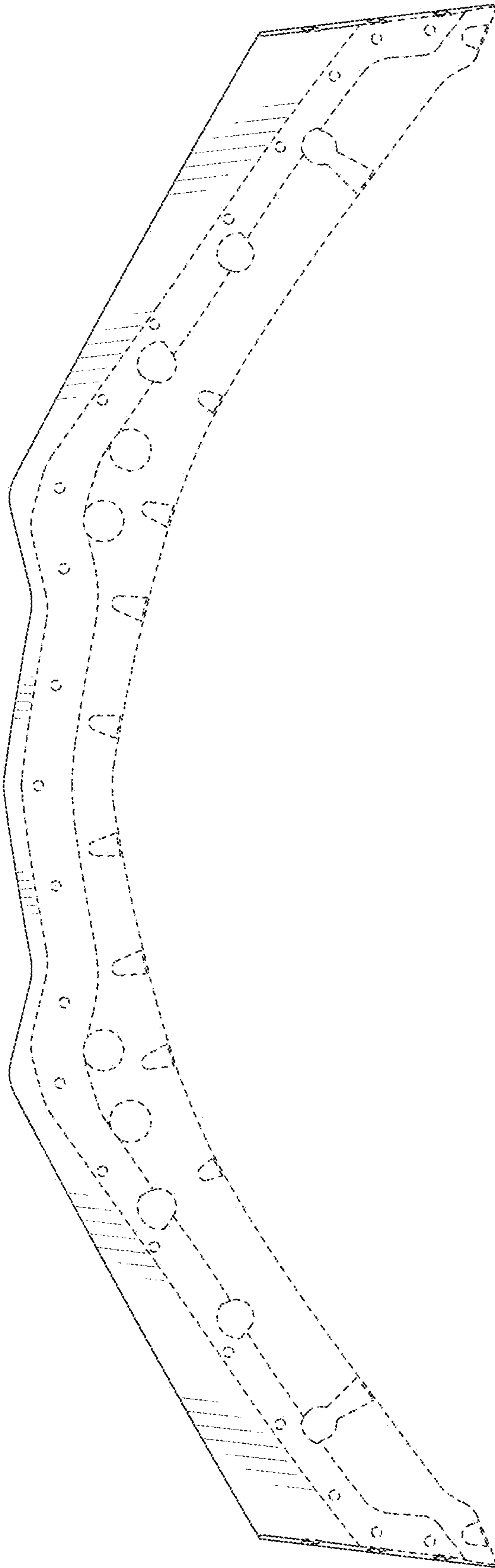


FIG. 8

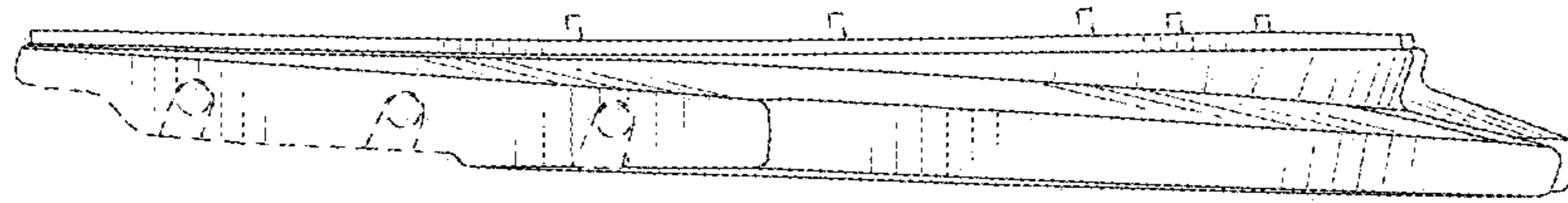


FIG. 9

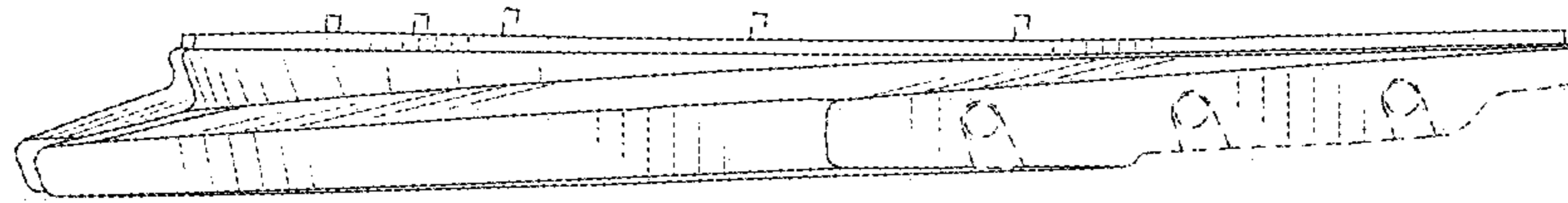


FIG. 10