



US00D933544S

(12) **United States Design Patent** (10) **Patent No.:** **US D933,544 S**
Piaskowski et al. (45) **Date of Patent:** **** *Oct. 19, 2021**

(54) **VEHICLE FRONT UPPER GRILLE SHIELD**

(56) **References Cited**

(71) Applicant: **Ford Global Technologies, LLC**, Dearborn, MI (US)
(72) Inventors: **Joel Piaskowski**, Birmingham, MI (US); **Gordon M. Platto**, Troy, MI (US); **Christopher G. Walter**, Traverse City, MI (US); **Colin R. Bonathan**, Dearborn, MI (US); **Omead Dorandishyazdi**, Superior Township, MI (US); **Nima Nourian**, Bloomfield, MI (US)

U.S. PATENT DOCUMENTS

D526,253	S	*	8/2006	Oda	D12/163
D533,118	S	*	12/2006	Toyooka	D12/163
D535,222	S	*	1/2007	Onoue	D12/163
D537,018	S	*	2/2007	Fujimaki	D12/163
D752,485	S	*	3/2016	Chung	D12/163

(Continued)

OTHER PUBLICATIONS

2020 Electric Ford Mustang Mach-E GT, Published on Nov. 17, 2019 [online], [retrieved on Feb. 28, 2021]. Retrieved from the Internet: https://www.youtube.com/watch?v=sJ7VC_wTjTk (Year: 2019).*

(Continued)

Primary Examiner — Christian P. McLean
Assistant Examiner — Adam C Mager

(73) Assignee: **Ford Global Technologies, LLC**, Dearborn, MI (US)

(*) Notice: This patent is subject to a terminal disclaimer.

(**) Term: **15 Years**

(21) Appl. No.: **29/708,854**

(22) Filed: **Oct. 10, 2019**

(51) **LOC (13) Cl.** **12-16**

(52) **U.S. Cl.**
USPC **D12/163**

(58) **Field of Classification Search**
USPC D12/82, 85, 86, 87, 88, 89, 90, 91, 92, D12/93, 96, 97, 98, 99, 163, 164, 165, D12/166, 167, 169, 170, 171, 172, 173, D12/181, 184, 185, 190, 196, 216, 223, D12/400; D21/533, 548, 552, 561; D15/31
CPC B60R 19/00; B60R 19/02; B60R 19/24; B60R 19/50; B60R 19/52; B60R 19/56; B60R 2019/026; B60R 2019/525; B60R 2019/527; B60R 2019/1813; B60R 2019/1833; B60R 2019/1886; B62D 25/08; B62D 25/084; B62D 25/16; B62D 25/18; B62D 25/161; B62D 25/168; B62D 25/182

See application file for complete search history.

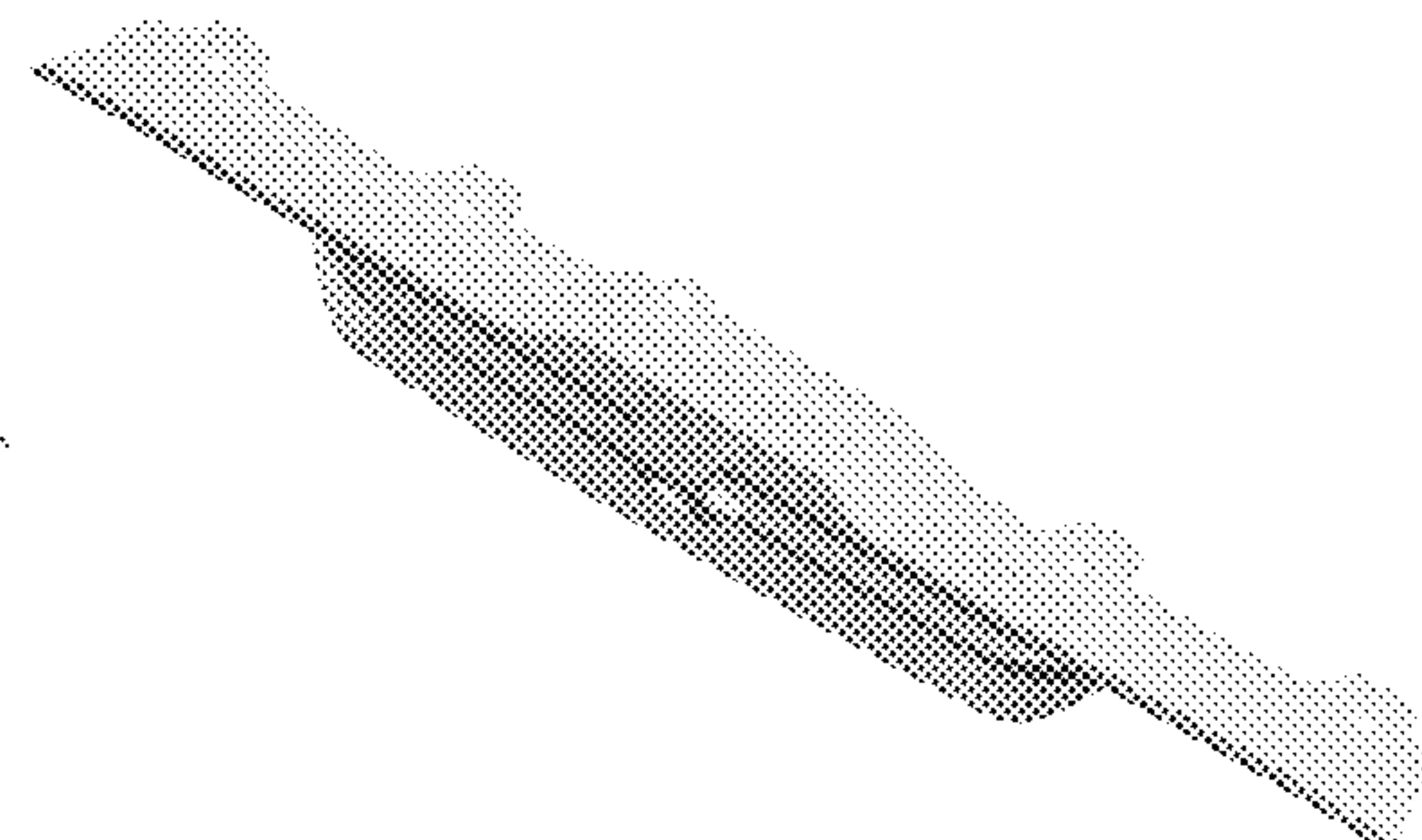
(57) **CLAIM**

The ornamental design for a vehicle front upper grille shield, as shown and described.

DESCRIPTION

FIG. 1 is a front elevational view of a vehicle front upper grille shield, showing our new design;
FIG. 2 is a left side elevational view thereof;
FIG. 3 is a right side elevational view thereof;
FIG. 4 is a top plan view thereof;
FIG. 5 is a bottom plan view thereof;
FIG. 6 is a top, front and left side perspective view thereof;
and,
FIG. 7 is a bottom, front and left side perspective view thereof.
The claimed design is indicated by the relatively dark portions in the figures. The de-emphasized and relatively light portions form no part of the claimed design.

1 Claim, 7 Drawing Sheets



(56)

References Cited

U.S. PATENT DOCUMENTS

D775,553 S *	1/2017	Ishii	D12/163
D831,546 S *	10/2018	Granlund	D12/163
D837,707 S *	1/2019	Morikawa	D12/196
D842,174 S *	3/2019	Leong	D12/163
D843,274 S *	3/2019	Tomasson	D12/163
D867,229 S *	11/2019	Morikawa	D12/163
D871,978 S *	1/2020	Bentzen	D12/163
D879,674 S *	3/2020	Melville-Brown	D12/163

OTHER PUBLICATIONS

Meghan Drummond, 2020 Mustang Hybrid, <https://www.cjponyparts.com/resources/2020-mustang-hybrid> Sep. 13, 2019.

Andrew Krok, Ford's 'Mustang-inspired' electric SUV: Everything we know, <https://www.cnet.com/roadshow/news/ford-mustang-inspired-electric-sub-details-rumors> Oct. 2, 2019.

Ford News Clips—Briefing, Ford's EV Strategy takes Shape in Search for Popularity and Profit, Sep. 3, 2019.

* cited by examiner

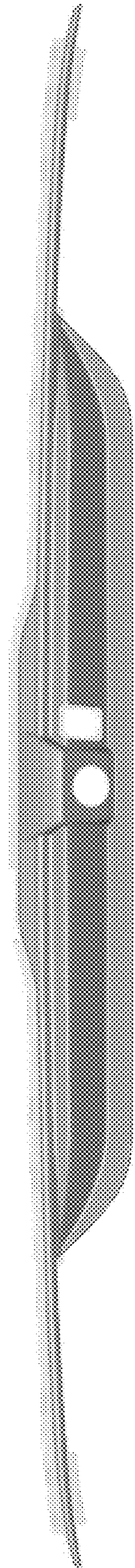


Fig. 1

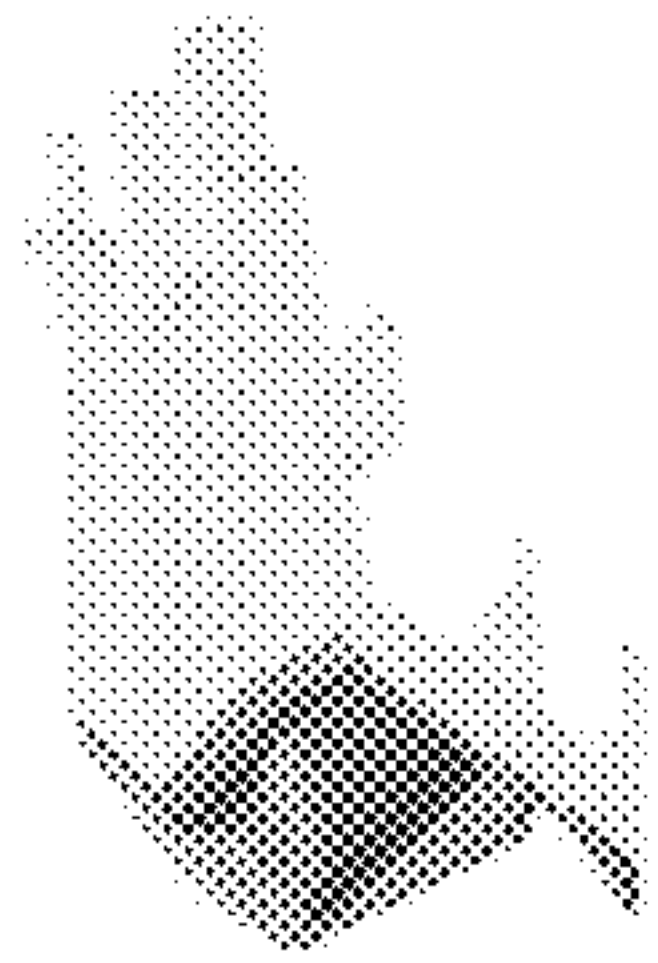


Fig. 2



Fig. 3

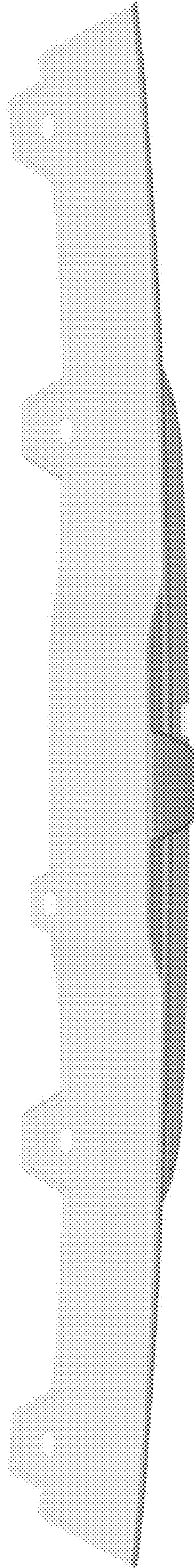
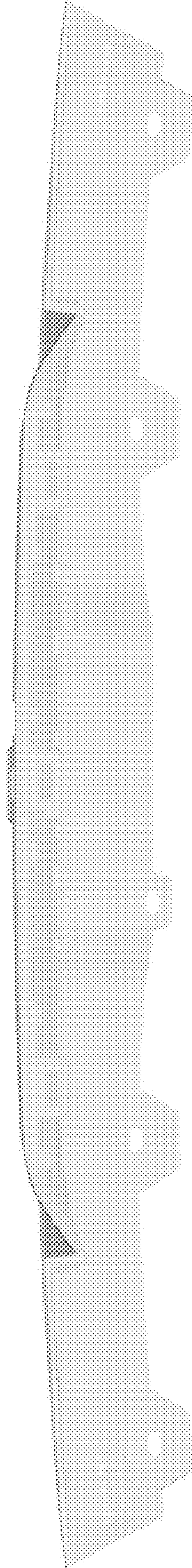


Fig.4

Fig. 5



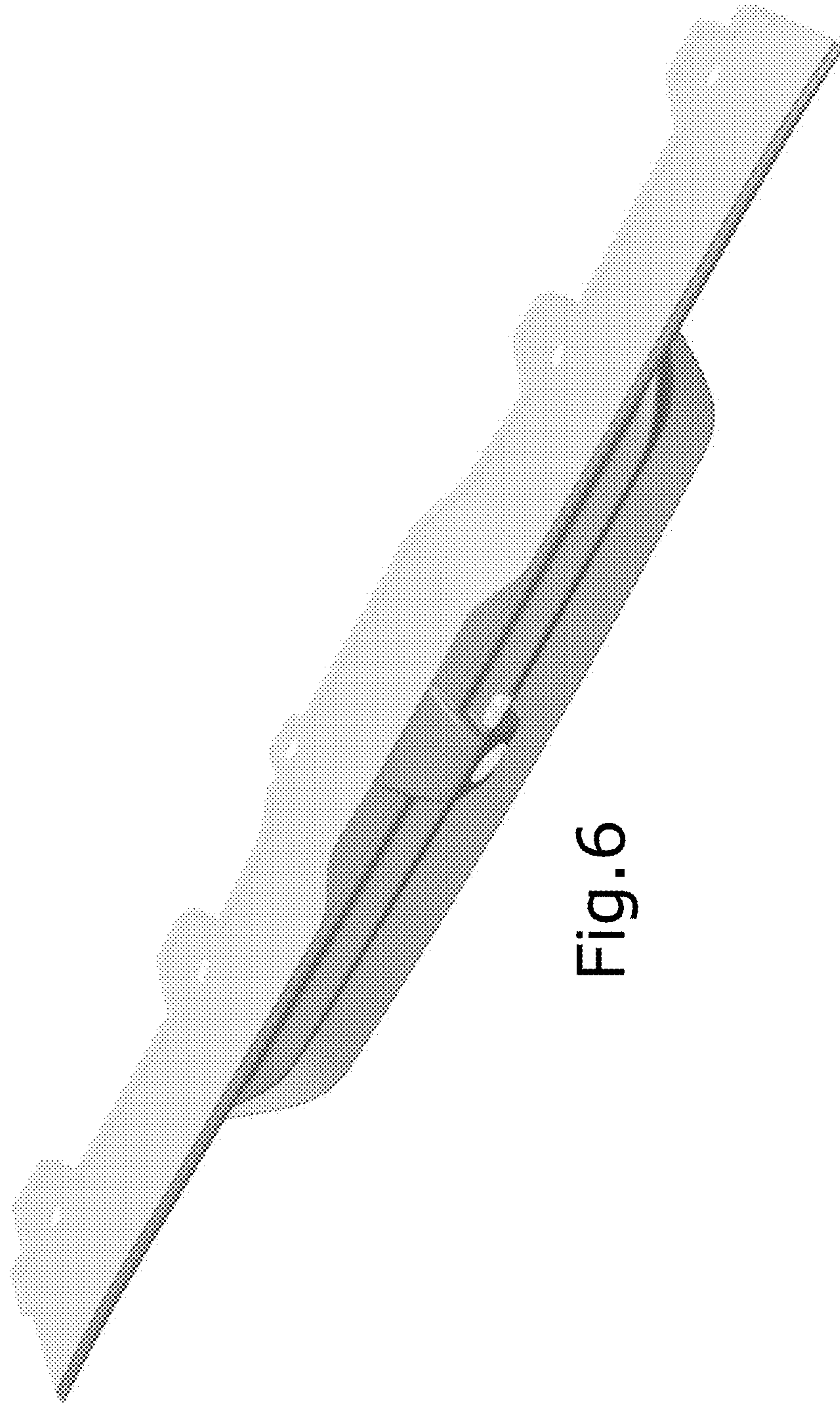


Fig.6

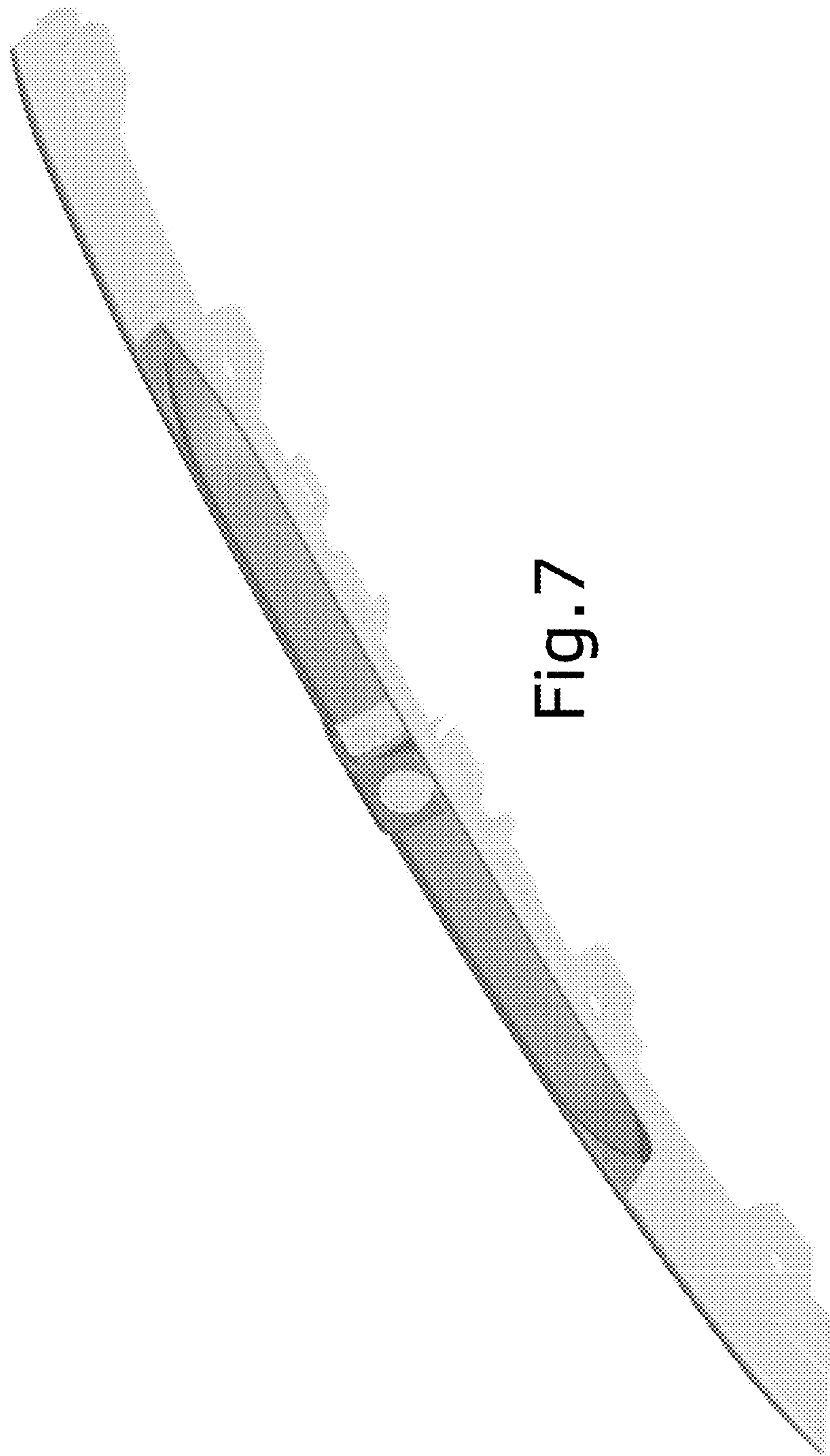


Fig. 7