



US00D933541S

(12) **United States Design Patent**  
**Fournier**

(10) **Patent No.:** **US D933,541 S**

(45) **Date of Patent:** **\*\* Oct. 19, 2021**

- (54) **BICYCLE STORAGE DEVICE**
- (71) Applicant: **Louis Fournier**, Chicoutimi (CA)
- (72) Inventor: **Louis Fournier**, Chicoutimi (CA)
- (\*\*) Term: **15 Years**
- (21) Appl. No.: **29/702,610**
- (22) Filed: **Aug. 20, 2019**
- (51) **LOC (13) Cl.** ..... **08-10**
- (52) **U.S. Cl.**  
USPC ..... **D12/115**
- (58) **Field of Classification Search**  
USPC ..... D12/115, 120, 402, 406, 407  
CPC ... B62H 3/00; B62H 3/04; B62H 3/08; B62H  
3/10; B60R 9/06; B60R 9/10  
See application file for complete search history.

- D796,387 S \* 9/2017 Lee ..... D12/115
- D826,104 S \* 8/2018 Withagen ..... D12/115
- D856,856 S \* 8/2019 Fournier ..... D12/115
- D908,591 S \* 1/2021 Greenblatt ..... D12/401

(Continued)

*Primary Examiner* — Michelle E. Wilson

*Assistant Examiner* — Clese Moore, Jr.

(74) *Attorney, Agent, or Firm* — William H. Bollman

(57) **CLAIM**

The ornamental design for a bicycle storage device, as shown and described.

**DESCRIPTION**

This application is a continuation of U.S. Design application Ser. No. 29/613,647, entitled bicycle storage device, filed Aug. 11, 2017, the entirety of which is explicitly incorporated herein by reference.

FIG. 1 is a perspective view of a bicycle storage device, showing its new design;

FIG. 2 is a front perspective view thereof;

FIG. 3 is a front view thereof;

FIG. 4 is a right-hand side view thereof;

FIG. 5 is a top view thereof;

FIG. 6 is a bottom view thereof;

FIG. 7 is a rear view thereof;

FIG. 8 is a left-hand side view thereof;

FIG. 9 is a sectional view taken along line 9-9 of FIG. 3;

FIG. 10 is a left-hand side view thereof showing a locking chain;

FIG. 11 is a front view thereof showing a locking chain; and,

FIG. 12 is a perspective view thereof showing a locking chain.

The rear view and left-hand side view are omitted because these views are mirror images of the front view and the right-hand side view, respectively.

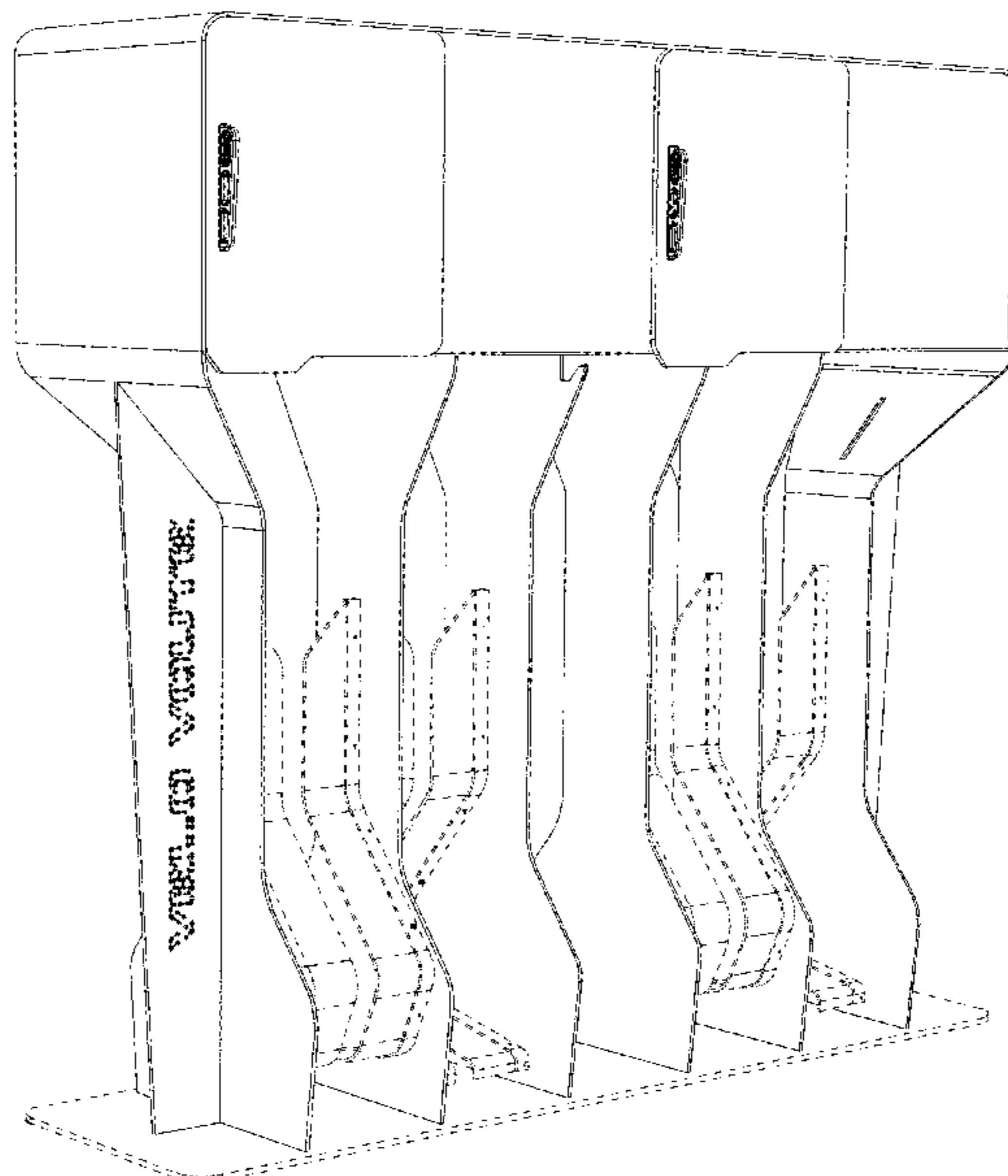
The broken lines shown illustrate portions of the bicycle storage device that form no part of the claimed design.

(56) **References Cited**

U.S. PATENT DOCUMENTS

- D278,616 S \* 4/1985 Collison ..... D12/115
- 4,830,167 A \* 5/1989 Lassche ..... B62H 3/00  
194/247
- D332,435 S \* 1/1993 Delage ..... D12/115
- D361,742 S \* 8/1995 Matlaga ..... D12/115
- D449,256 S \* 10/2001 Kopacz ..... D12/115
- D566,628 S \* 4/2008 Steward ..... D12/115
- D595,618 S \* 7/2009 Dallaire ..... D12/115
- D604,207 S \* 11/2009 Selzer ..... D12/115
- D621,751 S \* 8/2010 Rost, Jr. .... D12/115
- D632,617 S \* 2/2011 Kritzer ..... D12/115
- D634,674 S \* 3/2011 Finbow ..... D12/115
- D666,537 S \* 9/2012 Hoadley ..... D12/115
- D670,209 S \* 11/2012 Graham ..... D12/115
- D675,556 S \* 2/2013 Isakov ..... D12/402
- D691,522 S \* 10/2013 Koepke ..... D12/115
- D719,491 S \* 12/2014 Rayl ..... D12/115
- D719,492 S \* 12/2014 Rayl ..... D12/115
- D737,196 S \* 8/2015 Pappas ..... D12/407
- D768,545 S \* 10/2016 Greenblatt ..... D12/115

**1 Claim, 12 Drawing Sheets**



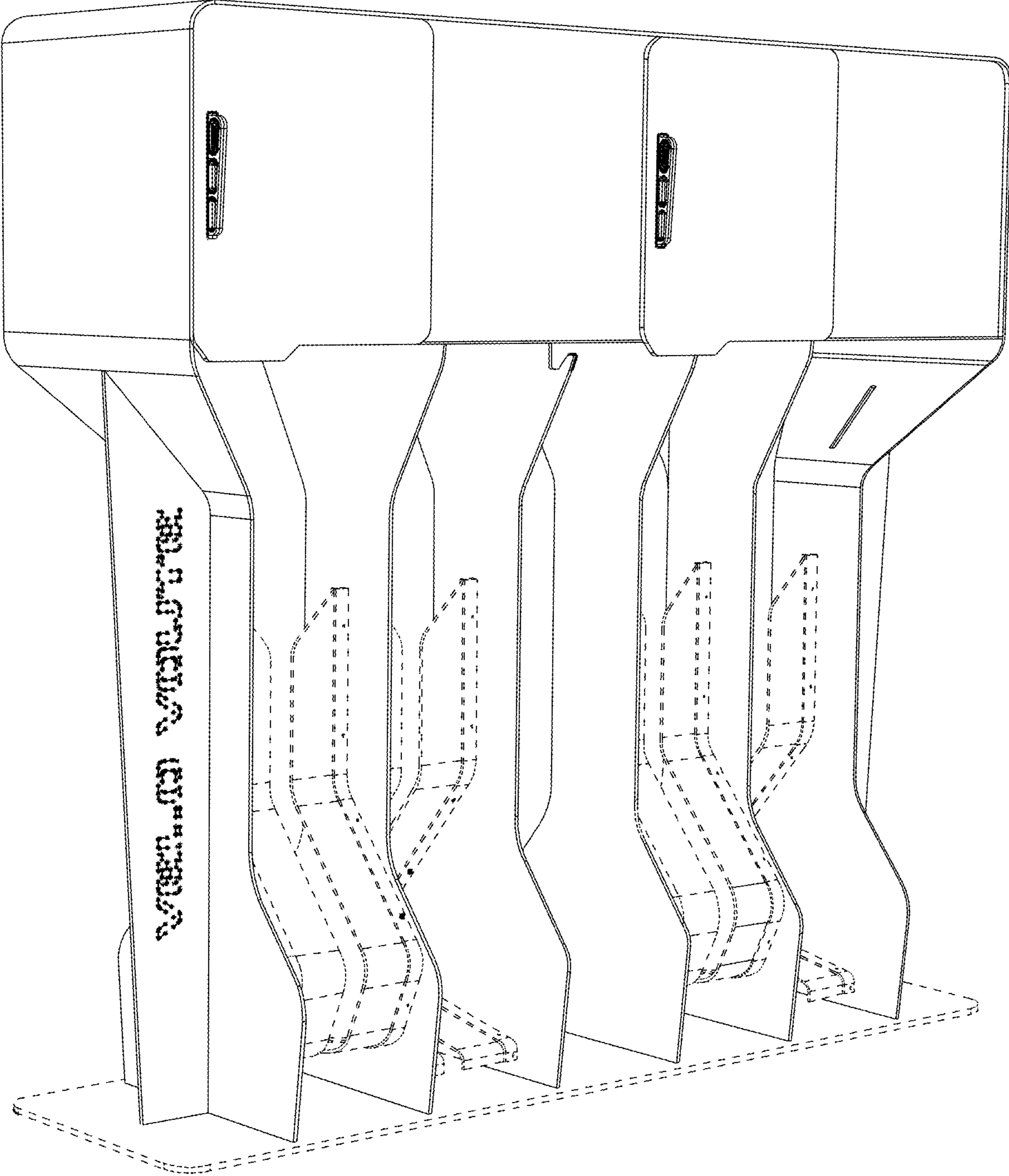
(56)

**References Cited**

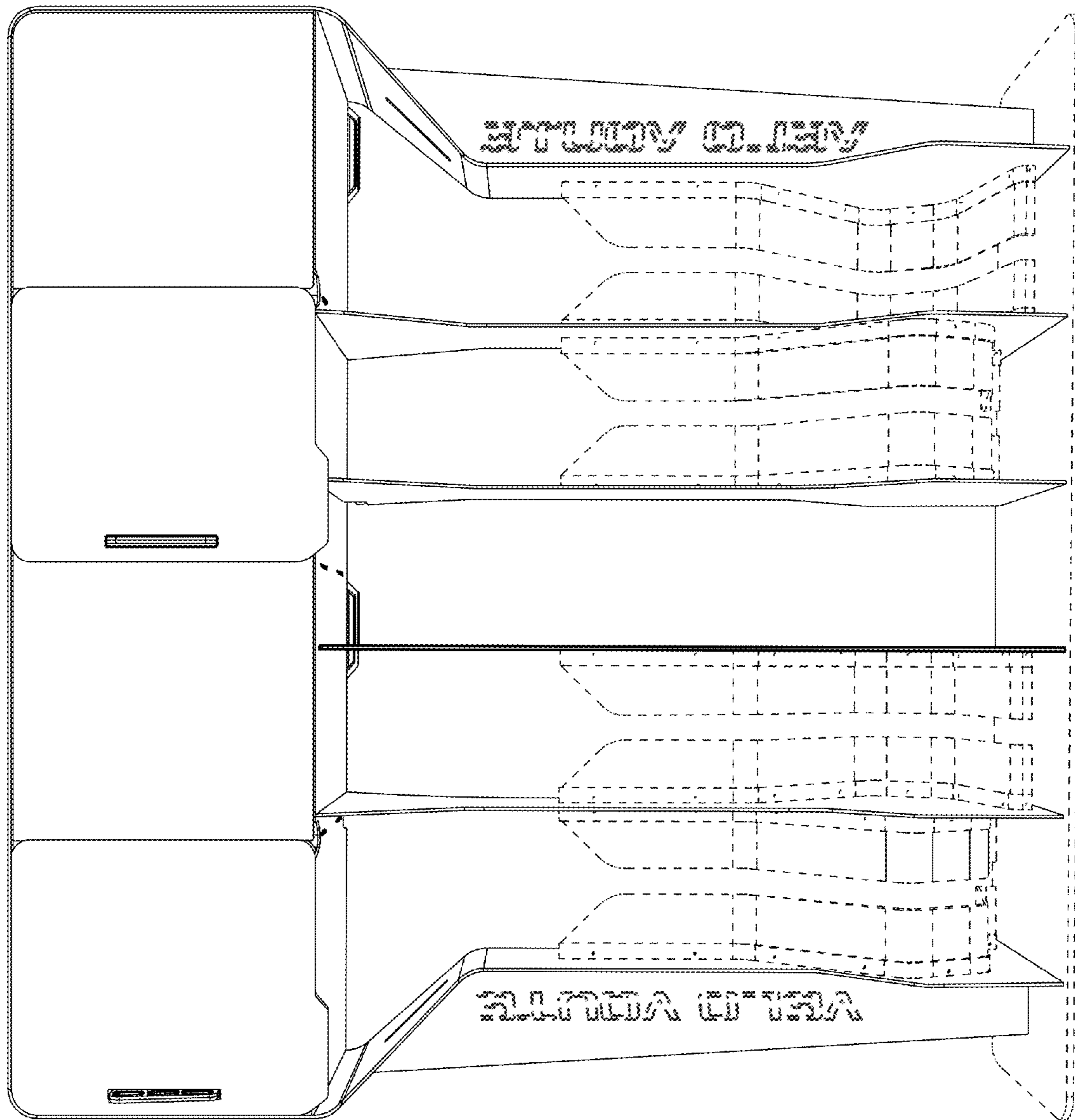
U.S. PATENT DOCUMENTS

2010/0163503 A1\* 7/2010 Kelly ..... B62H 3/00  
211/85.3  
2013/0264297 A1\* 10/2013 Long ..... B62H 3/04  
211/20  
2015/0314820 A1\* 11/2015 Fournier ..... E05B 65/00  
70/62

\* cited by examiner



**FIG. 1**



**FIG. 2**

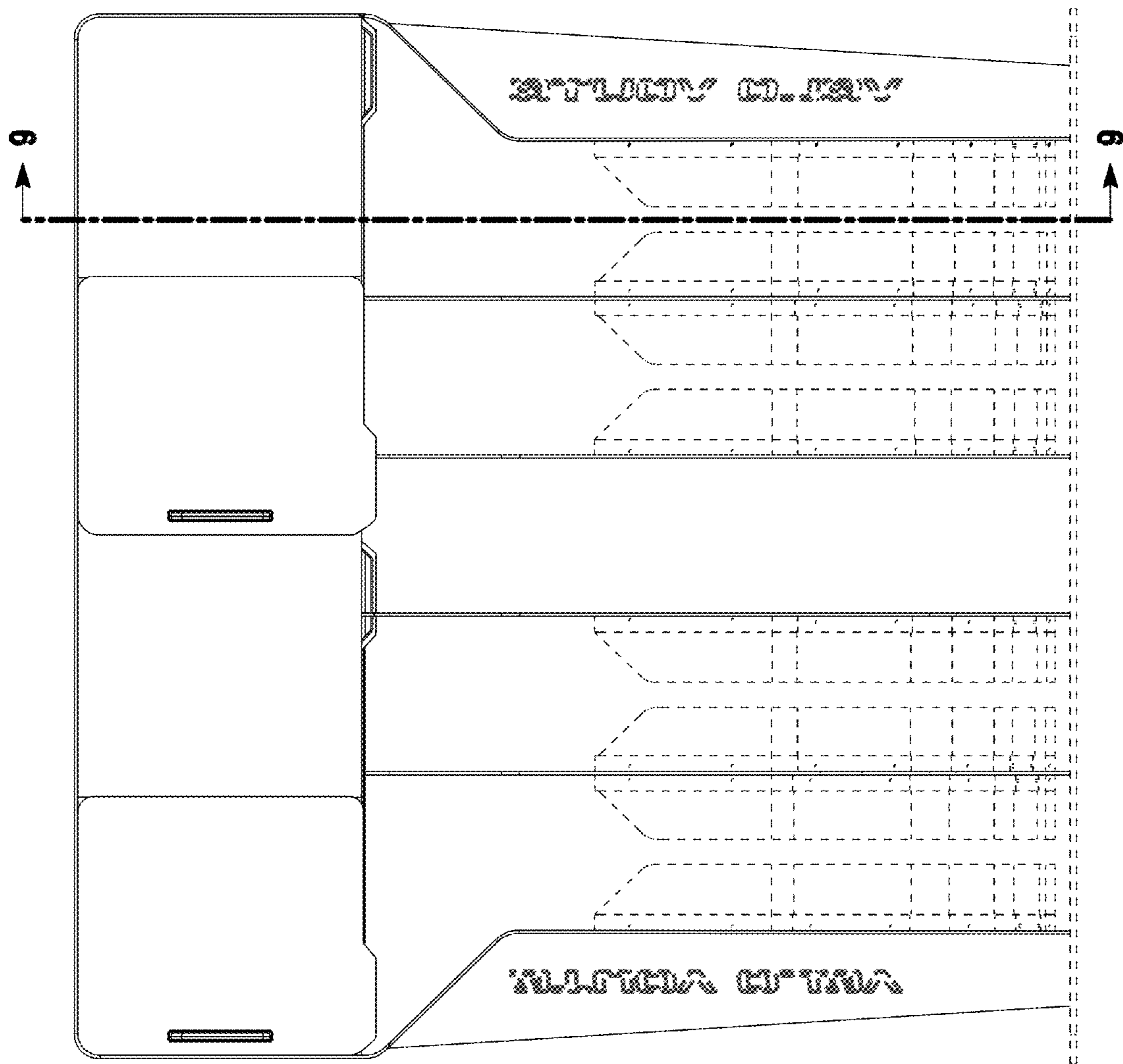
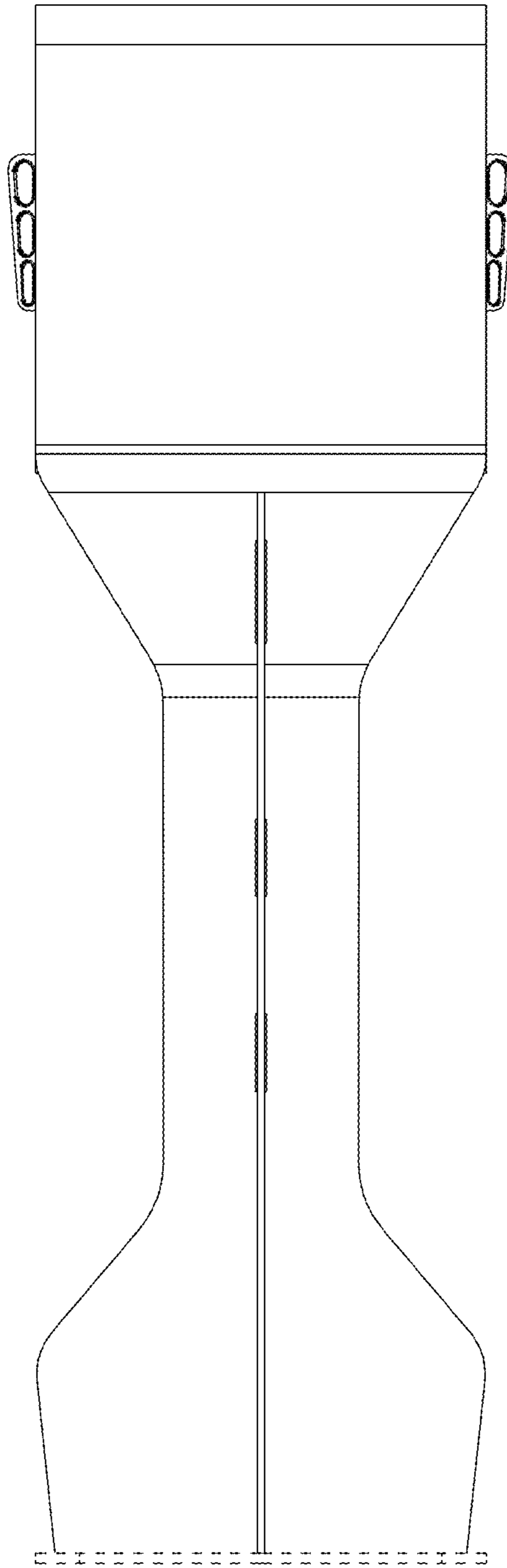
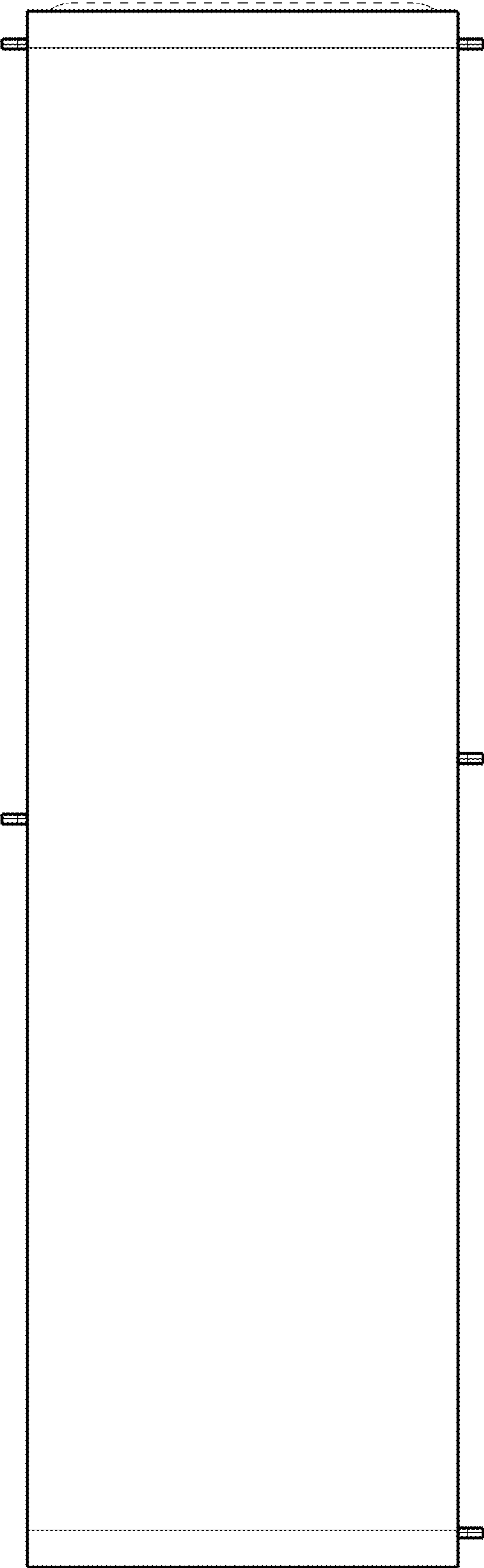


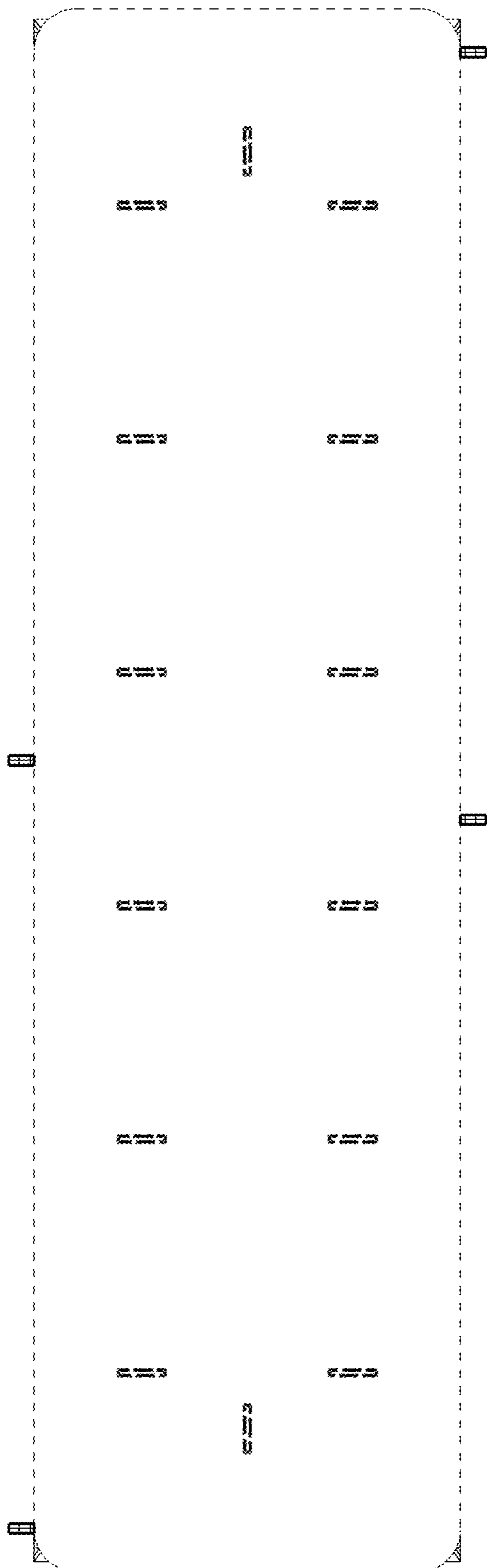
FIG. 3



**FIG. 4**



**FIG. 5**



**FIG. 6**



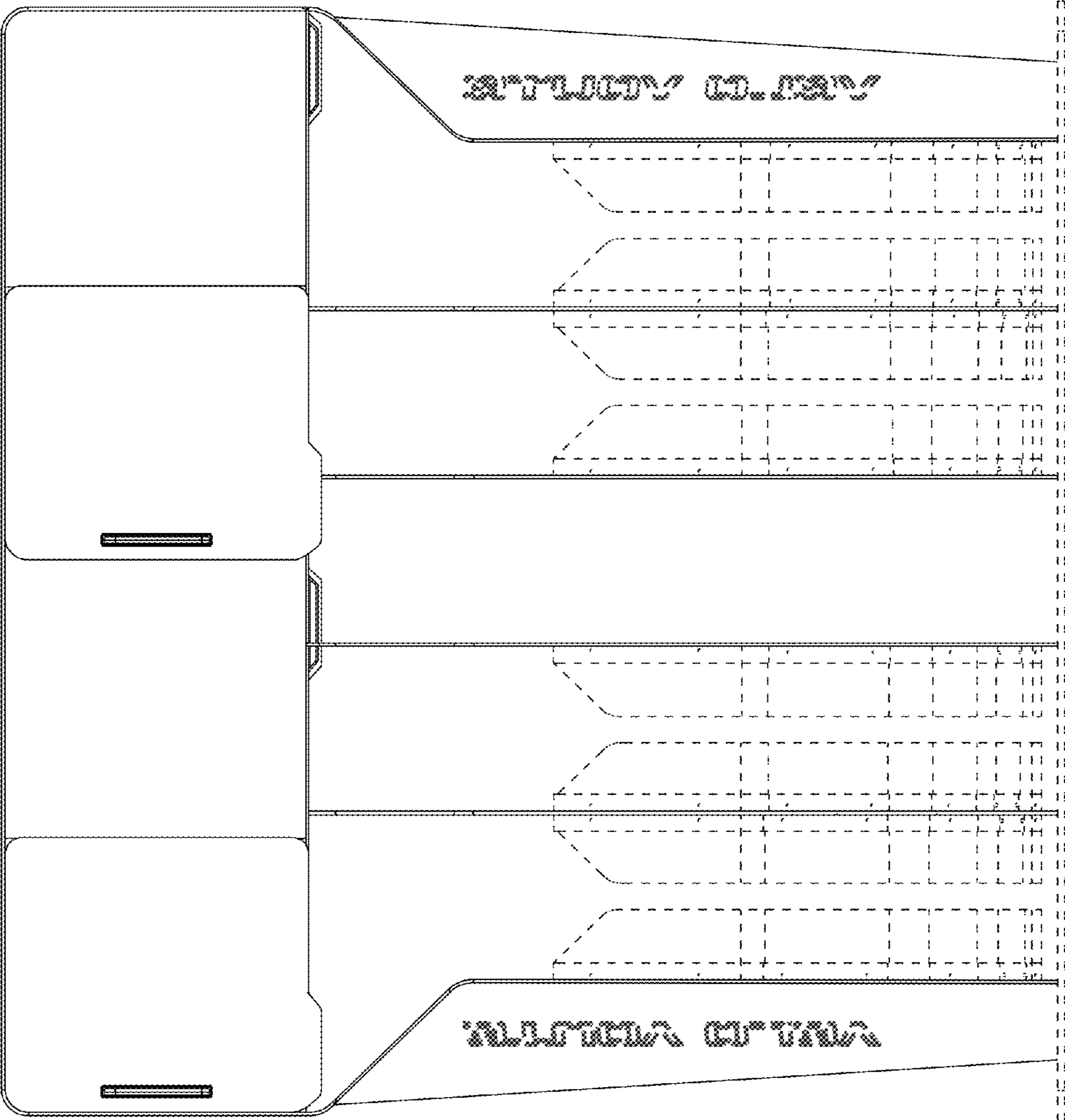
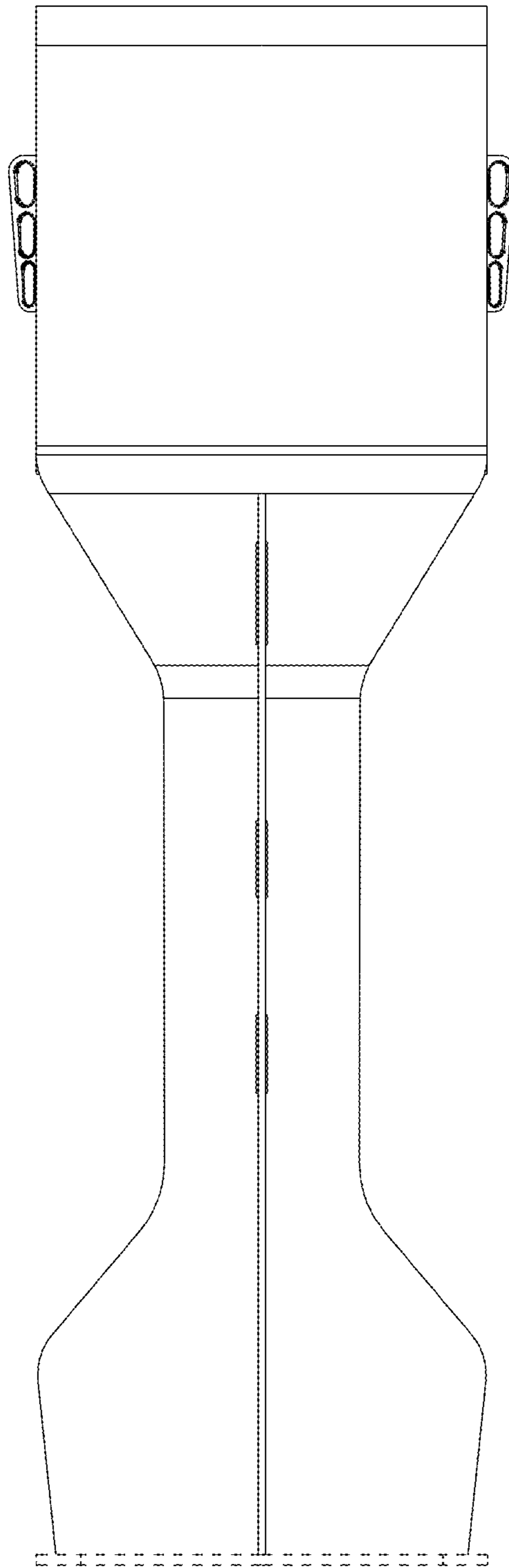
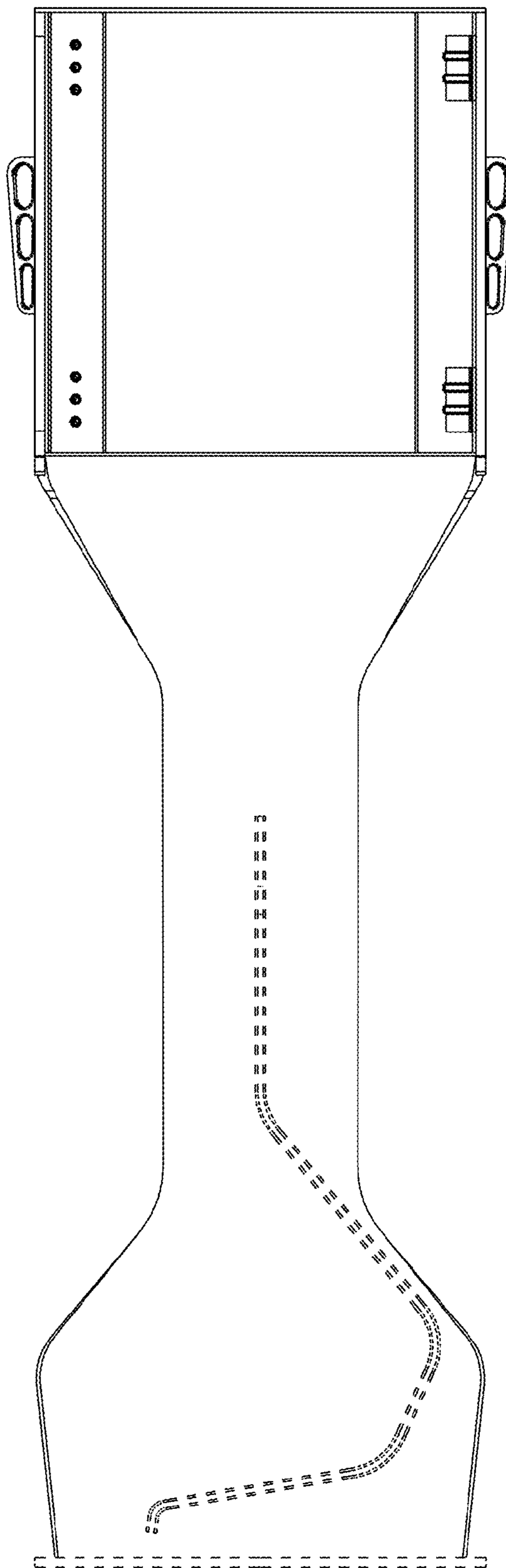


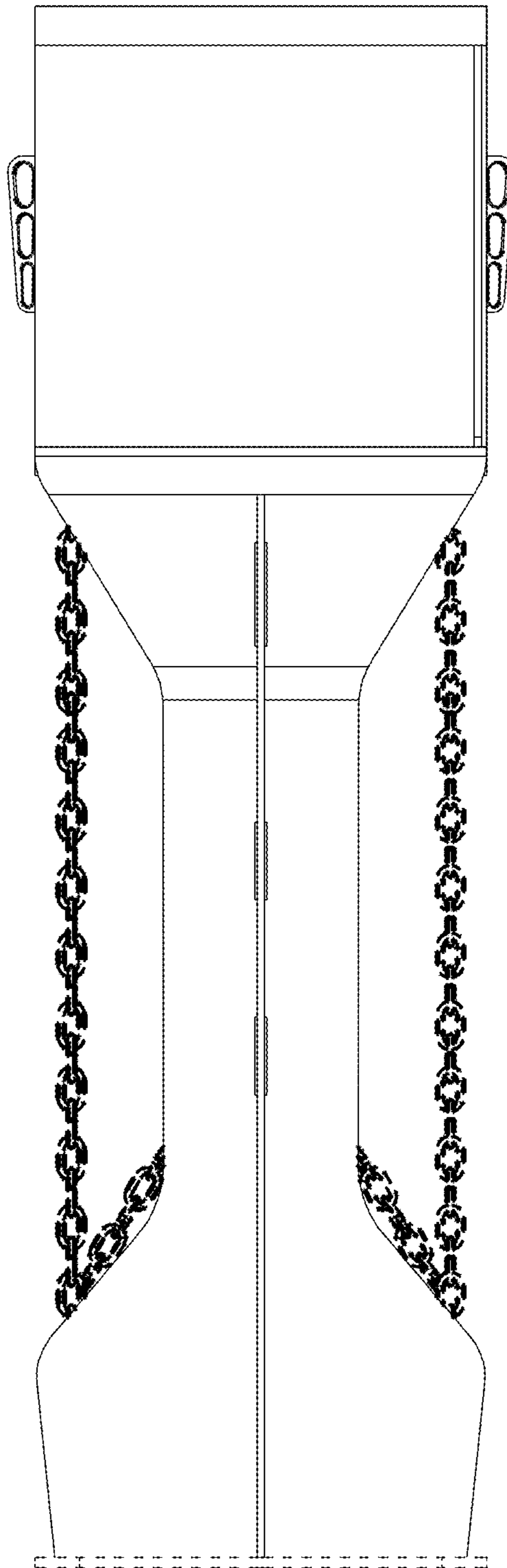
FIG. 7



**FIG. 8**



**FIG. 9**



**FIG. 10**

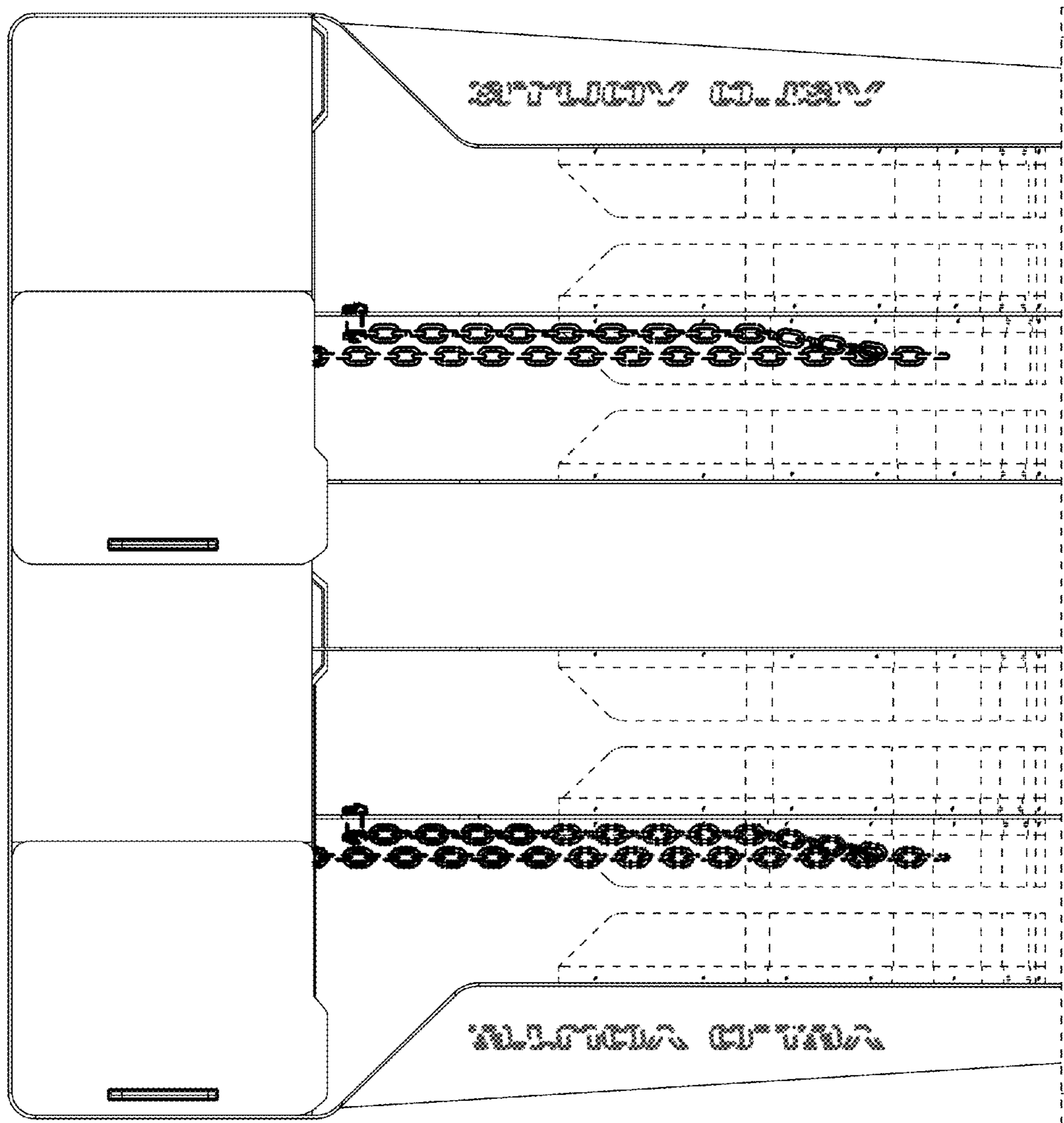


FIG. 11

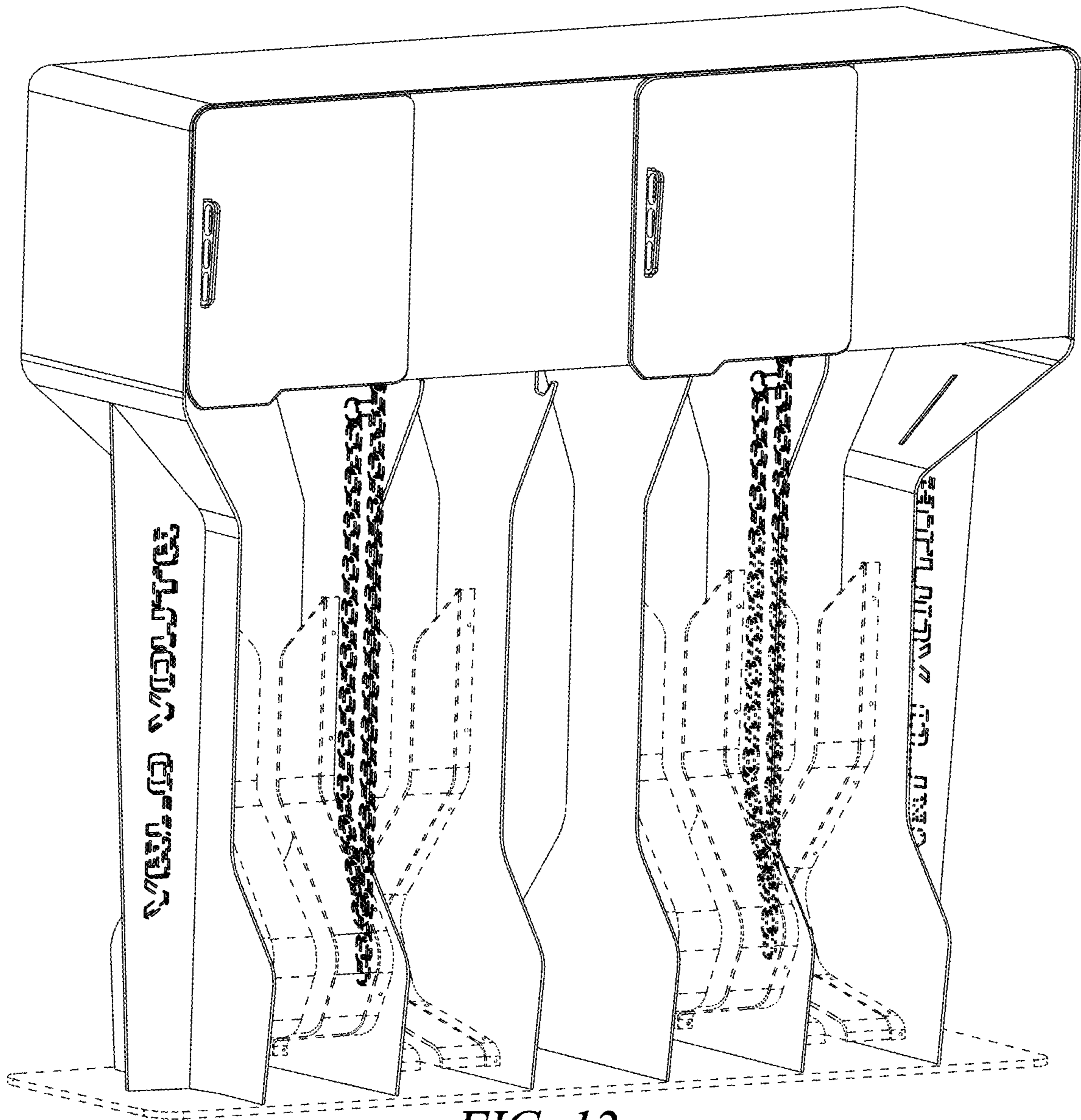


FIG. 12