



US00D933539S

(12) **United States Design Patent** (10) **Patent No.:** **US D933,539 S**
Gonzalez (45) **Date of Patent:** **** Oct. 19, 2021**

(54) **MOTORBIKE RACK**
(71) Applicant: **Super73, Inc.**, Irvine, CA (US)
(72) Inventor: **Josue Gonzalez**, Irvine, CA (US)
(73) Assignee: **Super73, Inc.**
(**) Term: **15 Years**
(21) Appl. No.: **29/721,996**
(22) Filed: **Jan. 24, 2020**
(51) **LOC (13) Cl.** **12-11**
(52) **U.S. Cl.**
USPC **D12/114; D12/115; D12/406**
(58) **Field of Classification Search**
USPC **D12/114, 115, 120, 402, 406, 407, 408**
CPC **B60R 9/06; B60R 9/10; B62H 3/00; B62H 3/04; B62H 3/08; B62H 3/10; B62J 7/02; B62J 7/04**
See application file for complete search history.

8,496,146 B2 * 7/2013 Badillo B60R 9/045
224/321
D707,447 S * 6/2014 Eriksson D3/304
D813,785 S * 3/2018 Badillo D12/412
D815,012 S * 4/2018 Badillo D12/412
(Continued)

OTHER PUBLICATIONS

“Electra Loft Rear Rack” TREK., posted date Oct. 17, 2017 [online], [retrieved on Jun. 4, 2021]. Retrieved from the Internet <https://www.trekbikes.com/us/en_US/equipment/bike-accessories/bike-racks-fenders-locks/bike-racks/electra-loft-rear-rack/p/13569/> (Year: 2017).*

(Continued)

Primary Examiner — Darlington Ly
Assistant Examiner — Nasim Abdulaziz Ali
(74) *Attorney, Agent, or Firm* — Stradling, Yocca Carlson & Rauth

(57) **CLAIM**

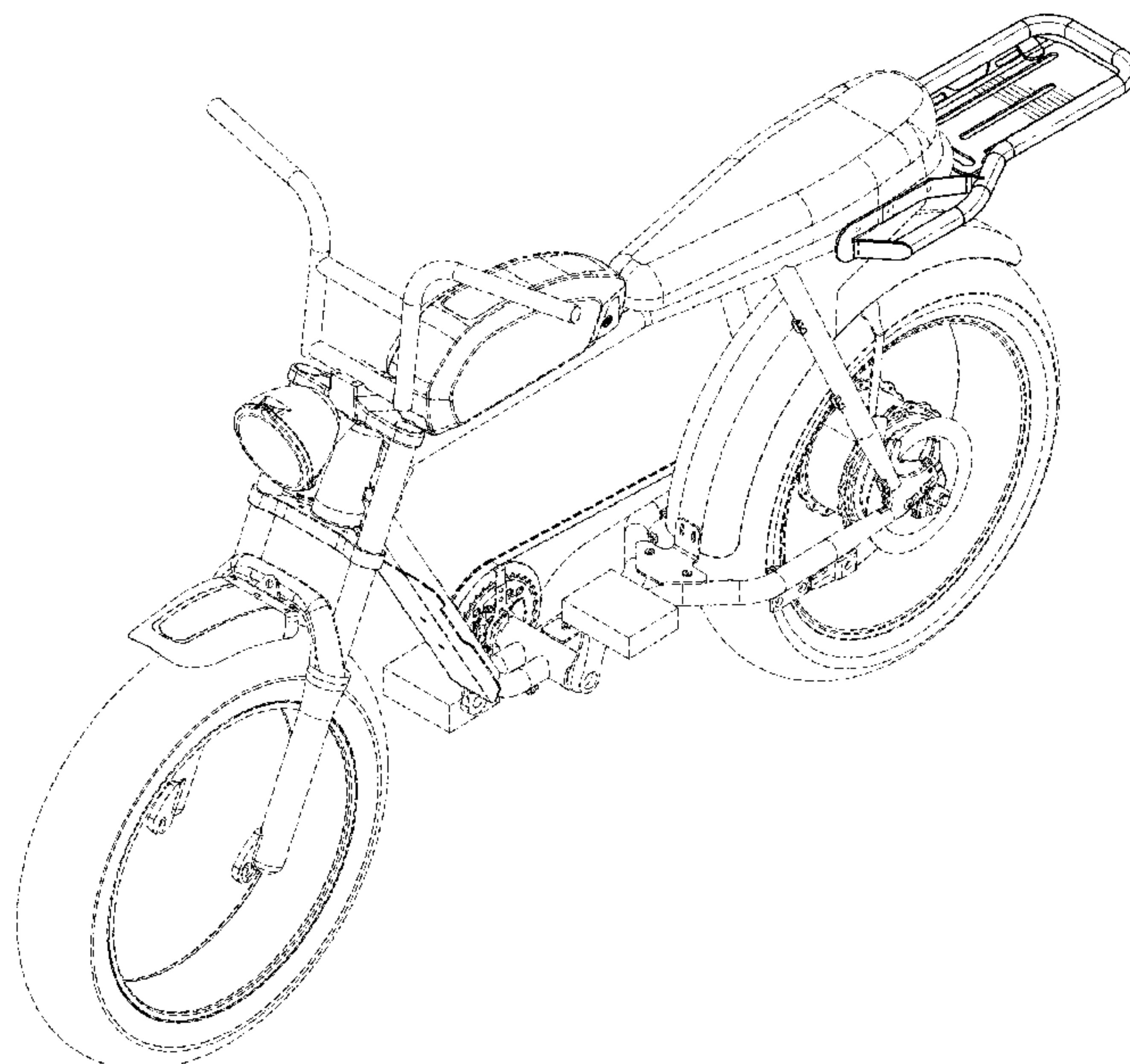
The ornamental design for a motorbike rack, as shown and described.

DESCRIPTION

FIG. 1 is a top, front, and left side perspective view of a motorbike rack embodying my new design, as installed on an exemplary motorbike;
FIG. 2 is a top, front, and left side perspective view thereof;
FIG. 3 is a top, rear, and right side perspective view thereof;
FIG. 4 is a left side elevation view thereof;
FIG. 5 is a right side elevation view thereof;
FIG. 6 is a front elevation view thereof;
FIG. 7 is a rear elevation view thereof;
FIG. 8 is a top plan view thereof; and,
FIG. 9 is a bottom plan view thereof.
The broken line showing of portions of the motorbike are provided for the purpose of illustrating environmental structure and form no part of the claimed design.

1 Claim, 7 Drawing Sheets

(56) **References Cited**
U.S. PATENT DOCUMENTS
4,383,625 A * 5/1983 Kiang B62J 7/04
224/424
D271,759 S * 12/1983 Patterson D12/407
D285,426 S * 9/1986 Blackburn D12/407
D310,808 S * 9/1990 Kosecoff D12/407
D324,016 S * 2/1992 Hsu D12/407
D331,736 S * 12/1992 Newbold D12/407
D336,877 S * 6/1993 Fenton D12/406
D369,138 S * 4/1996 Gotschi D12/407
D430,531 S * 9/2000 Bally D12/407
D458,579 S * 6/2002 Adams D12/406
D477,272 S * 7/2003 Holub D12/407
D477,562 S * 7/2003 McCoy D12/406
D528,965 S * 9/2006 Wang D12/406



(56)

References Cited

U.S. PATENT DOCUMENTS

D821,288 S * 6/2018 Huang D12/406
D841,566 S * 2/2019 Badillo D12/412
D845,873 S * 4/2019 Stoneburner D12/407
D890,685 S * 7/2020 Chen D12/406
2020/0055559 A1 * 2/2020 Alagourie B62J 7/04

OTHER PUBLICATIONS

“Outtag Bike Mount Cycle Bicycle Rear Seat Post Rack” Outtag., posted date Aug. 15, 2014 [online], [retrieved on Jun. 4, 2021]. Retrieved from the Internet <<https://www.amazon.com/Outtag-Retractable-Aluminum-Bicycle-Install/dp/B07CVS74NG>> (Year: 2014).*

“Ibera PakRak Mini Commuter Bicycle Carrier Rack” Ibera., posted date Sep. 27, 2010 [online], [retrieved on Jun. 4, 2021]. Retrieved from the Internet <https://www.amazon.com/Ibera-PakRak-Commuter-Bicycle-Carrier/dp/B00991M8P6?ref_=ast_sto_dp> (Year: 2010).*

<https://moto-be.com/super73>, Aug. 2017.

<https://super73.com/blogs/news/super-73-s1-rose-ave-starting-to-ship-out>, Jul. 2017.

<https://super73.com/products/super73-s1-black>, Aug. 2017.

<https://electricmotorcycles.news/the-super-73-scout/>, Aug. 2017.

* cited by examiner

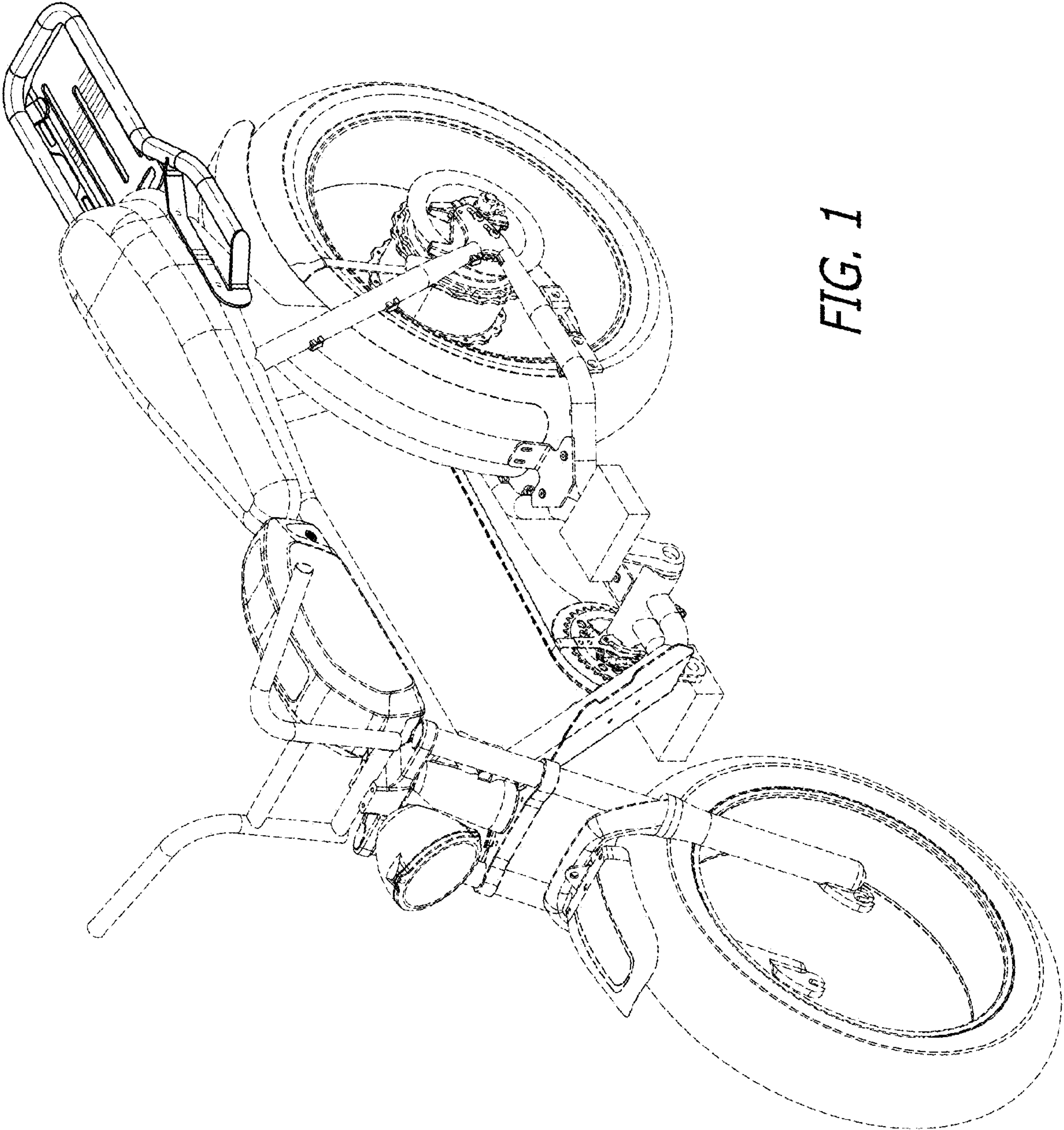
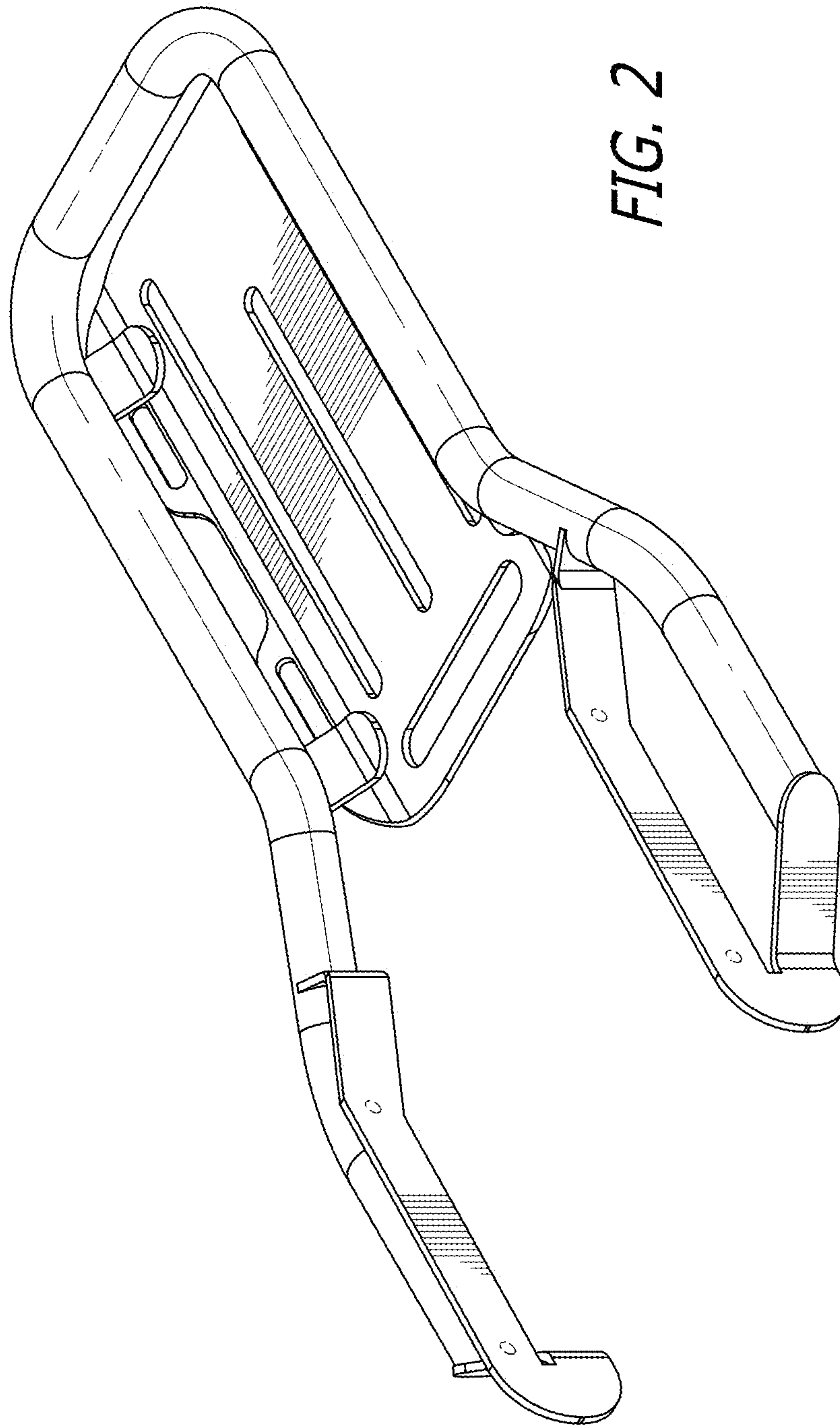


FIG. 1



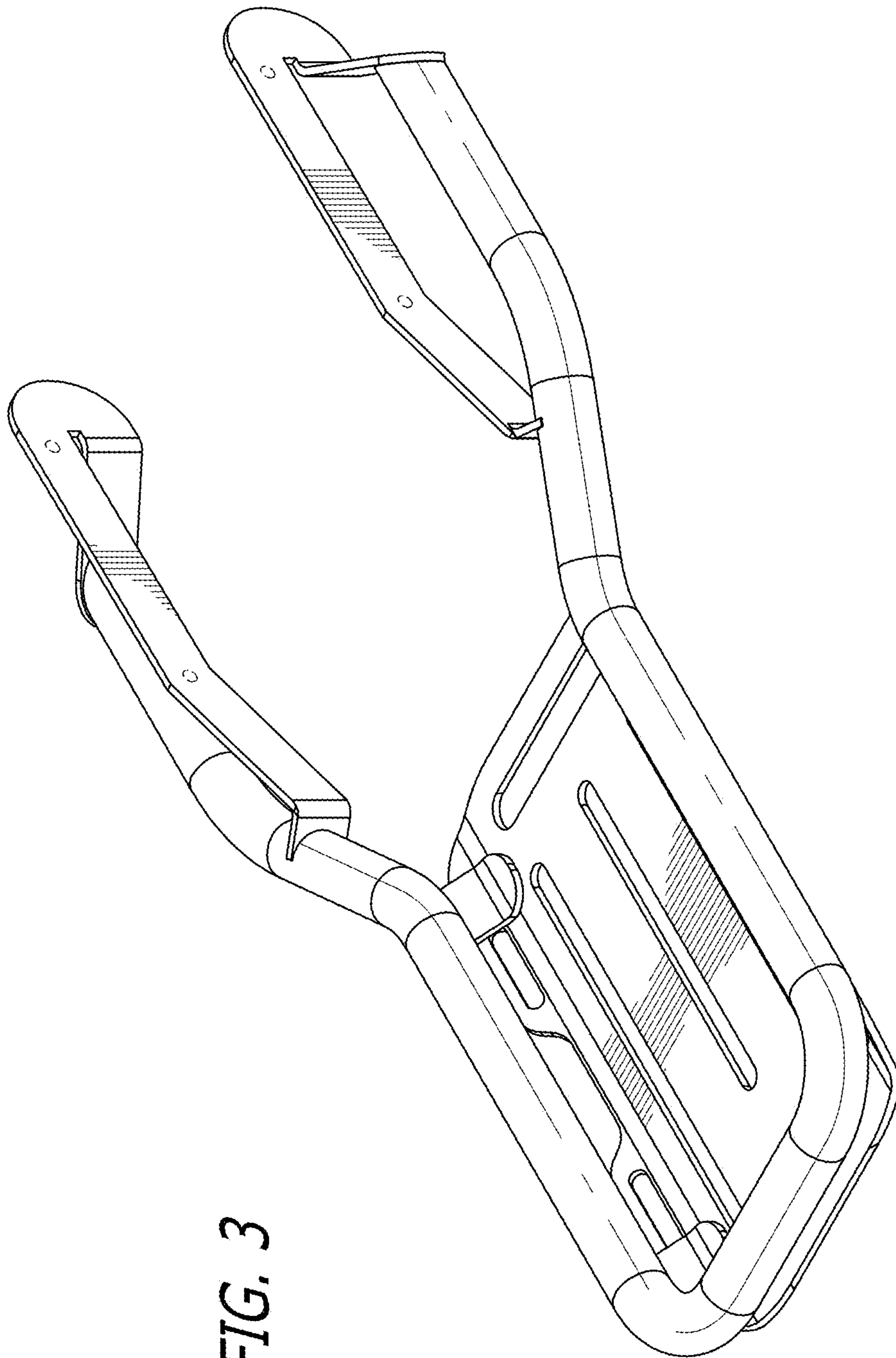


FIG. 3

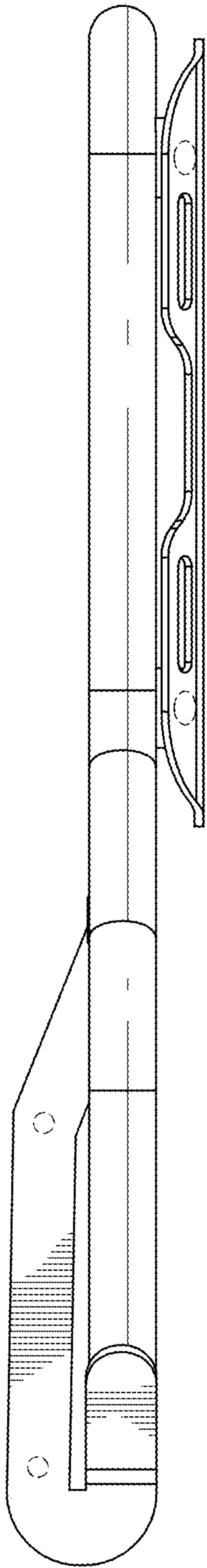


FIG. 4

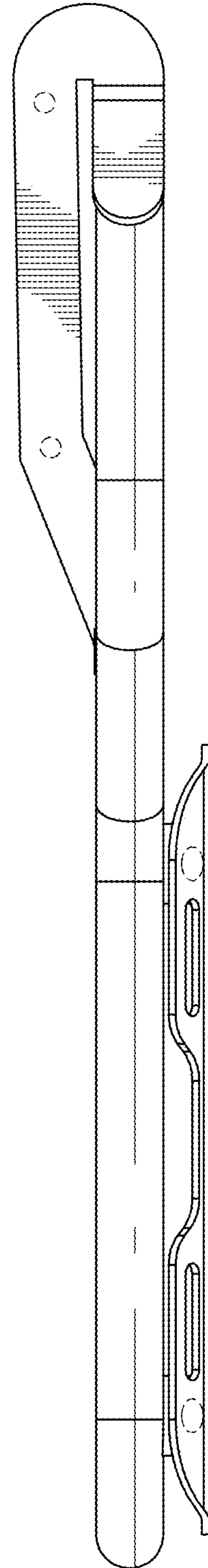


FIG. 5

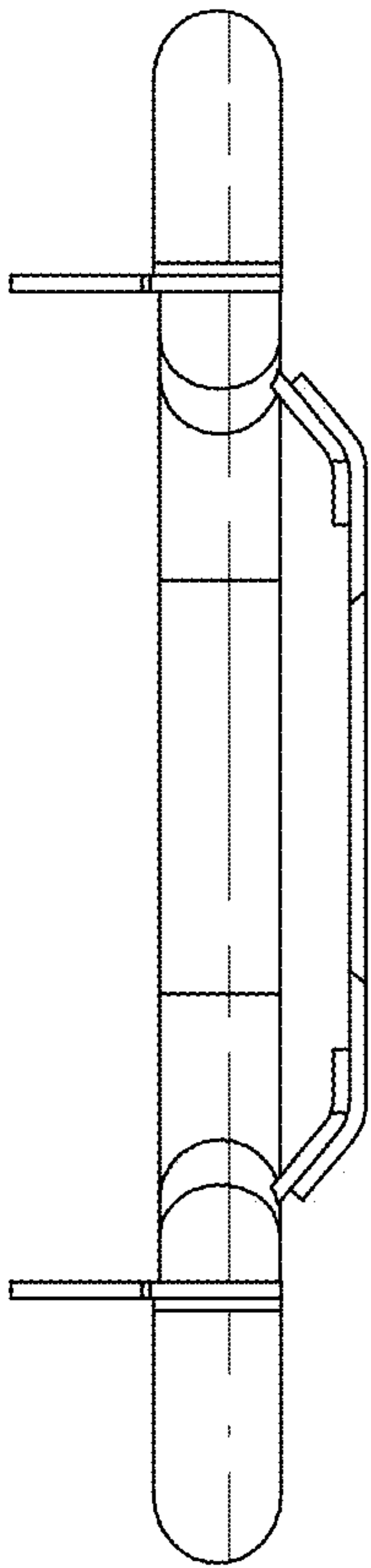


FIG. 6

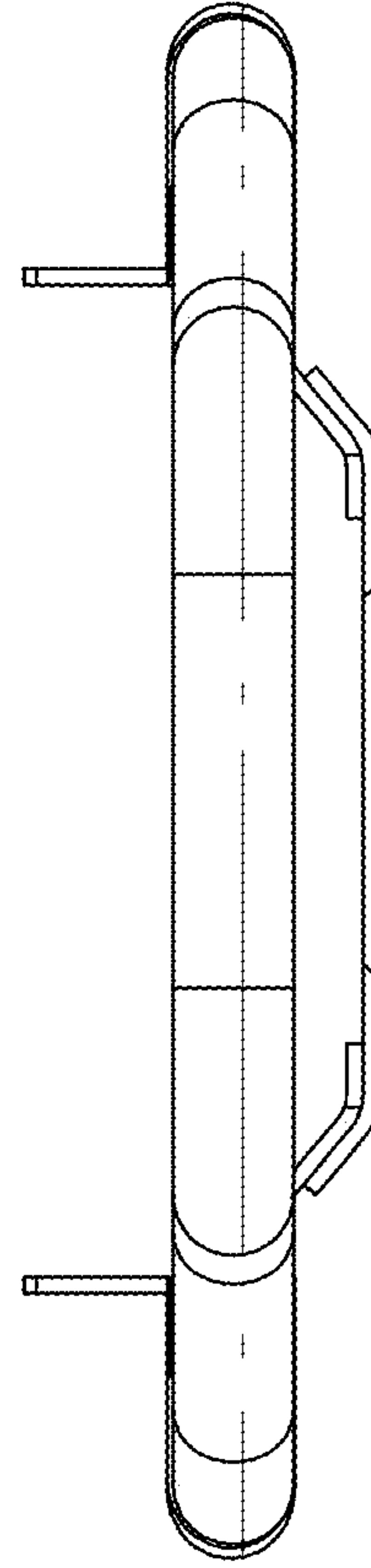


FIG. 7

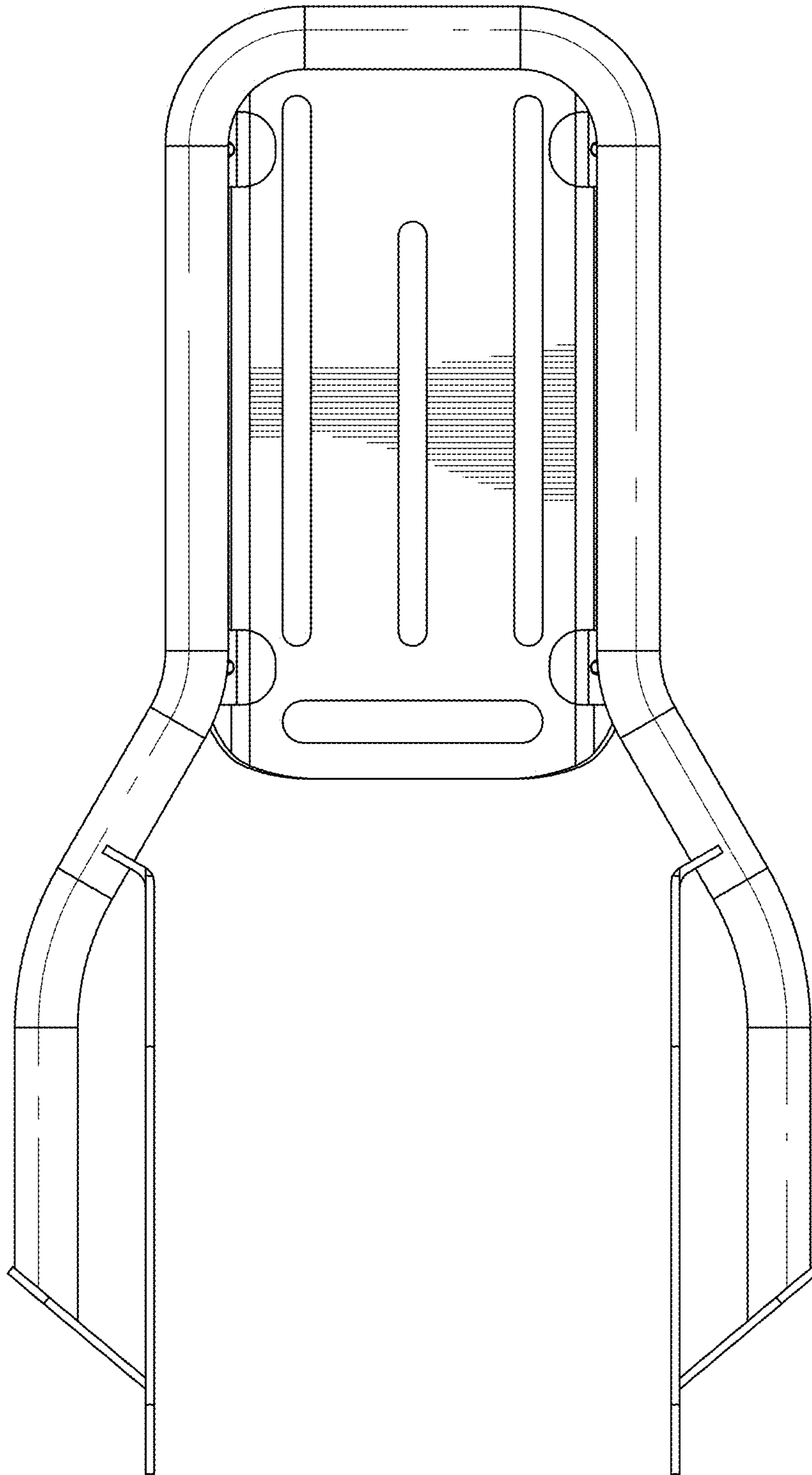


FIG. 8

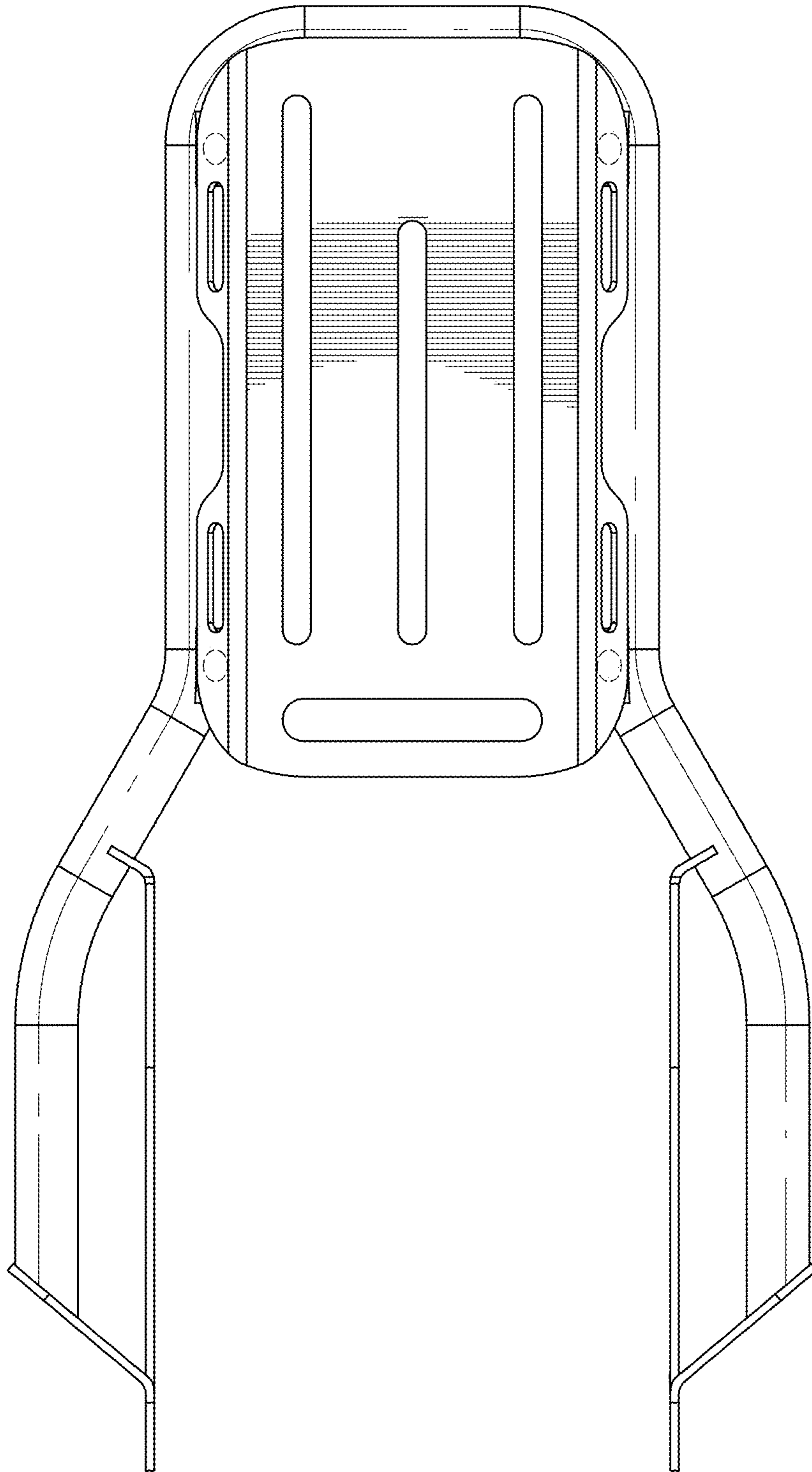


FIG. 9