



US00D933538S

(12) **United States Design Patent** (10) **Patent No.:** **US D933,538 S**
Chen (45) **Date of Patent:** **** Oct. 19, 2021**

(54) **ELECTRIC BIKE**
(71) Applicant: **Yaping Chen**, Foshan (CN)
(72) Inventor: **Yaping Chen**, Foshan (CN)
(73) Assignee: **Foshan Zhengbu Technology Co., Ltd.**, Foshan (CN)
(**) Term: **15 Years**
(21) Appl. No.: **29/740,532**
(22) Filed: **Jul. 6, 2020**
(51) **LOC (13) Cl.** **12-13**
(52) **U.S. Cl.**
USPC **D12/111**
(58) **Field of Classification Search**
USPC D12/110, 111, 117, 406, 407
CPC . B62K 3/00; B62K 3/005; B62K 9/00; B62K 19/00; B62K 19/02; B62K 19/04; B62K 19/06; B62K 19/16
See application file for complete search history.

D890,633 S * 7/2020 Zhou D12/111
D898,625 S * 10/2020 Lin D12/111
D900,680 S * 11/2020 Chen D12/111
D902,084 S * 11/2020 Gauthier D12/111
D914,548 S * 3/2021 Chen D12/111
D914,549 S * 3/2021 Chen D12/111

OTHER PUBLICATIONS

“Magnesium alloy bicycles for adults e bike” Zhengbli., posted date Nov. 28, 2019 [online], [retrieved on Jan. 29, 2021]. Retrieved from the Internet <URL: <http://www.zbebike.com/magnesium-alloy-bicycles-for-adults-e-bike-2020-48v-400w-motor-folding-electric-bike.html>> (Year: 2019).*
“Magnesium alloy bicycles for adults e bike” Alibaba., posted date Jan. 23, 2019 [online], [retrieved on Jan. 29, 2021]. Retrieved from the Internet <URL: <https://tinyurl.com/yxafx5oe>> (Year: 2019).*
“HHS Hybrid e-Bikeo” Cycling Weekly., posted date Dec. 13, 2019 [online], [retrieved on Jan. 29, 2021]. Retrieved from the Internet <URL: <https://www.cyclingweekly.com/reviews/folding-bikes/gocycle-gs-folding-e-bike>> (Year: 2019).*

* cited by examiner

Primary Examiner — Darlington Ly
Assistant Examiner — Nasim Abdulaziz Ali

(56) **References Cited**
U.S. PATENT DOCUMENTS

D430,070 S * 8/2000 Kciuk D12/111
D498,438 S * 11/2004 Ying D12/111
D516,469 S * 3/2006 Reinke D12/111
D670,208 S * 11/2012 Frenzel D12/111
D685,683 S * 7/2013 Shaw D12/111
D727,215 S * 4/2015 Yang D12/111
D745,836 S * 12/2015 Poster D12/111
D756,264 S * 5/2016 Thompson D12/111
D795,747 S * 8/2017 Bailie D12/111
D807,232 S * 1/2018 Bailie D12/111
D807,233 S * 1/2018 Zhang D12/111
D833,333 S * 11/2018 Yu D12/111
D843,269 S * 3/2019 Shi D12/111
D854,969 S * 7/2019 Gouin D12/111

(57) **CLAIM**

The ornamental design for an electric bike, as shown and described.

DESCRIPTION

FIG. 1 is a perspective view of an electric bike embodying my new design;
FIG. 2 is a right side elevation view thereof;
FIG. 3 is a left side elevation view thereof;
FIG. 4 is a front elevation view thereof;
FIG. 5 is a rear elevation view thereof;
FIG. 6 is a top plan view thereof; and,
FIG. 7 is a bottom plan view thereof.

1 Claim, 7 Drawing Sheets

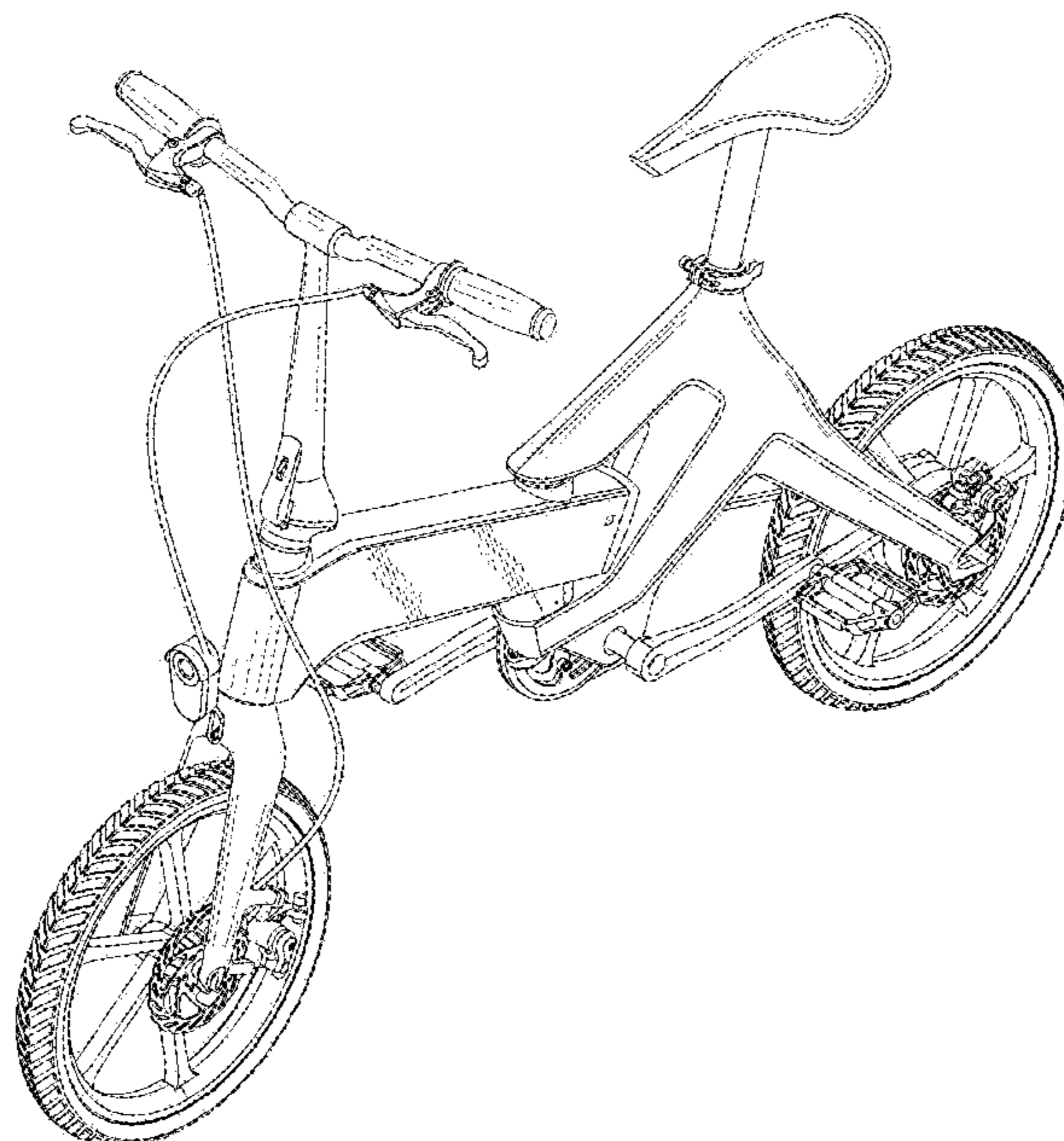




FIG.1

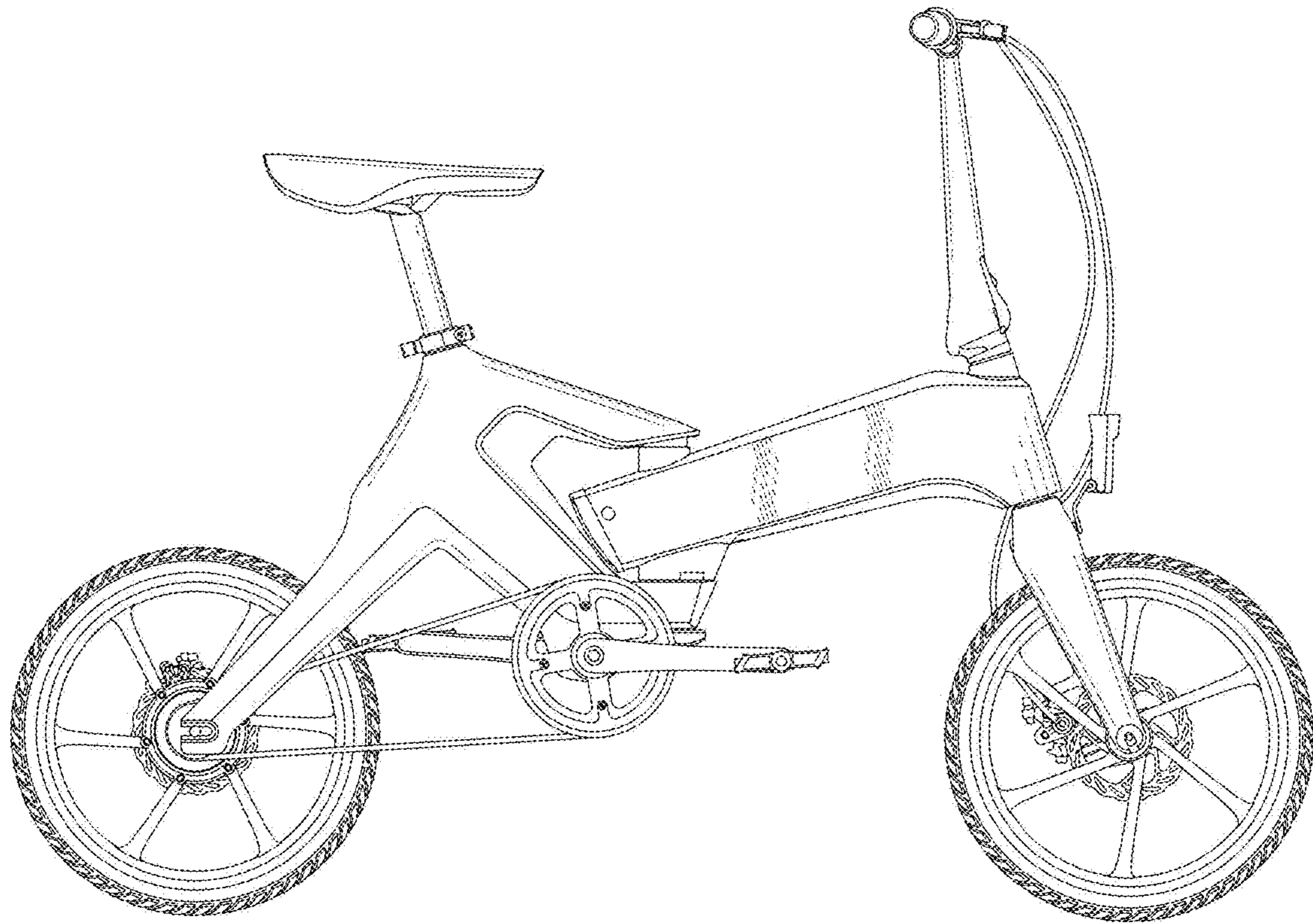


FIG. 2

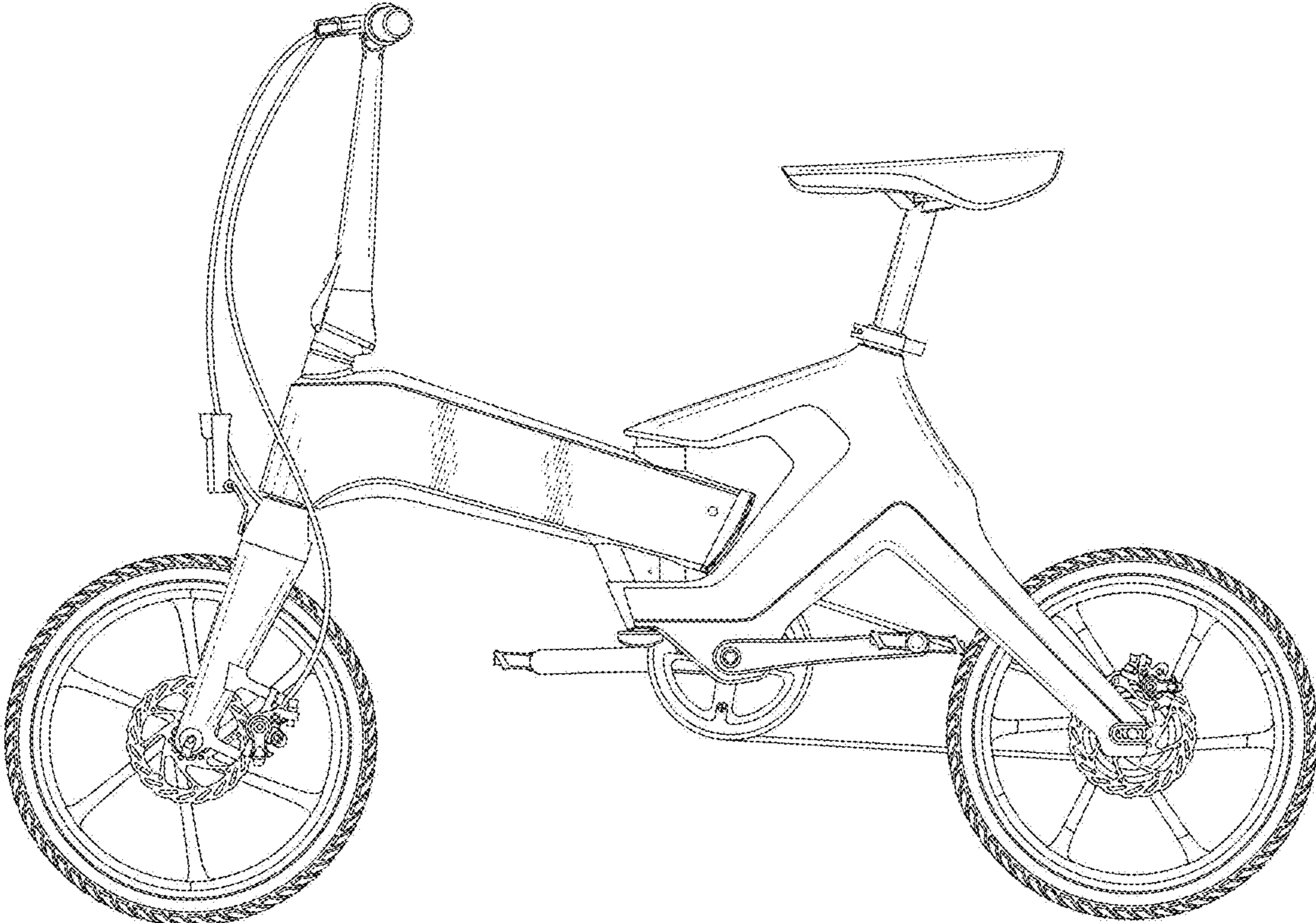


FIG.3

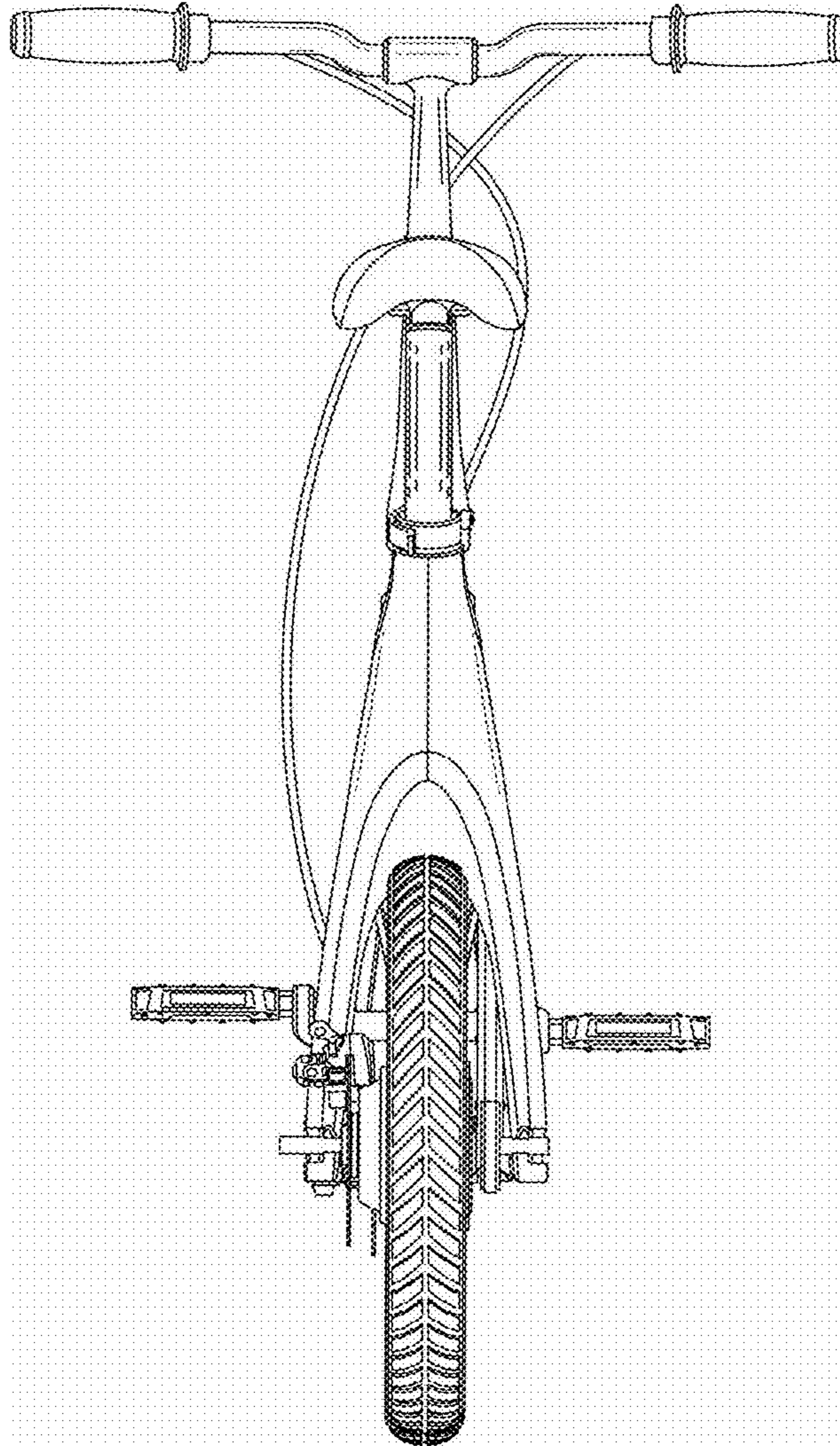


FIG.4

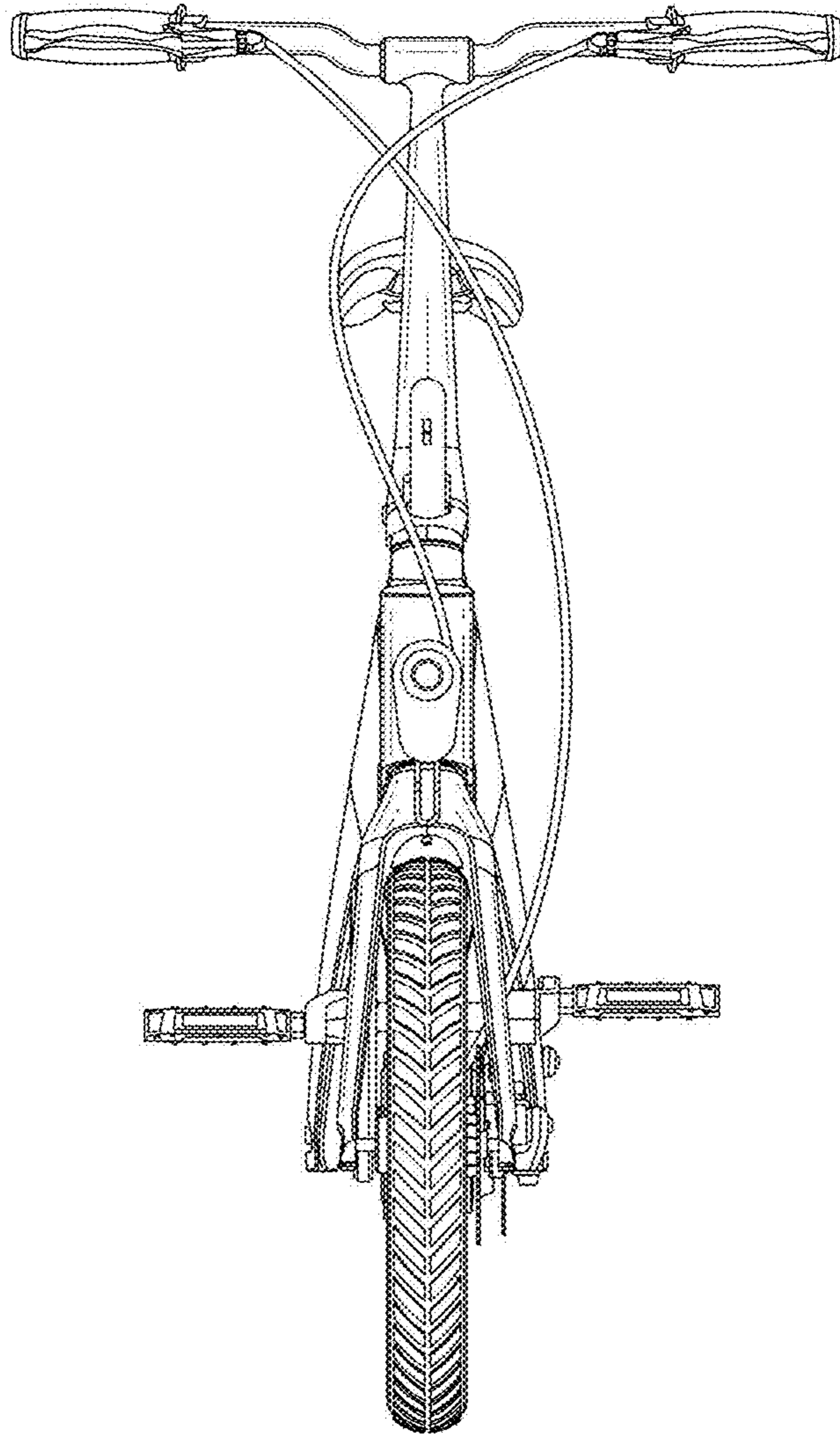


FIG.5

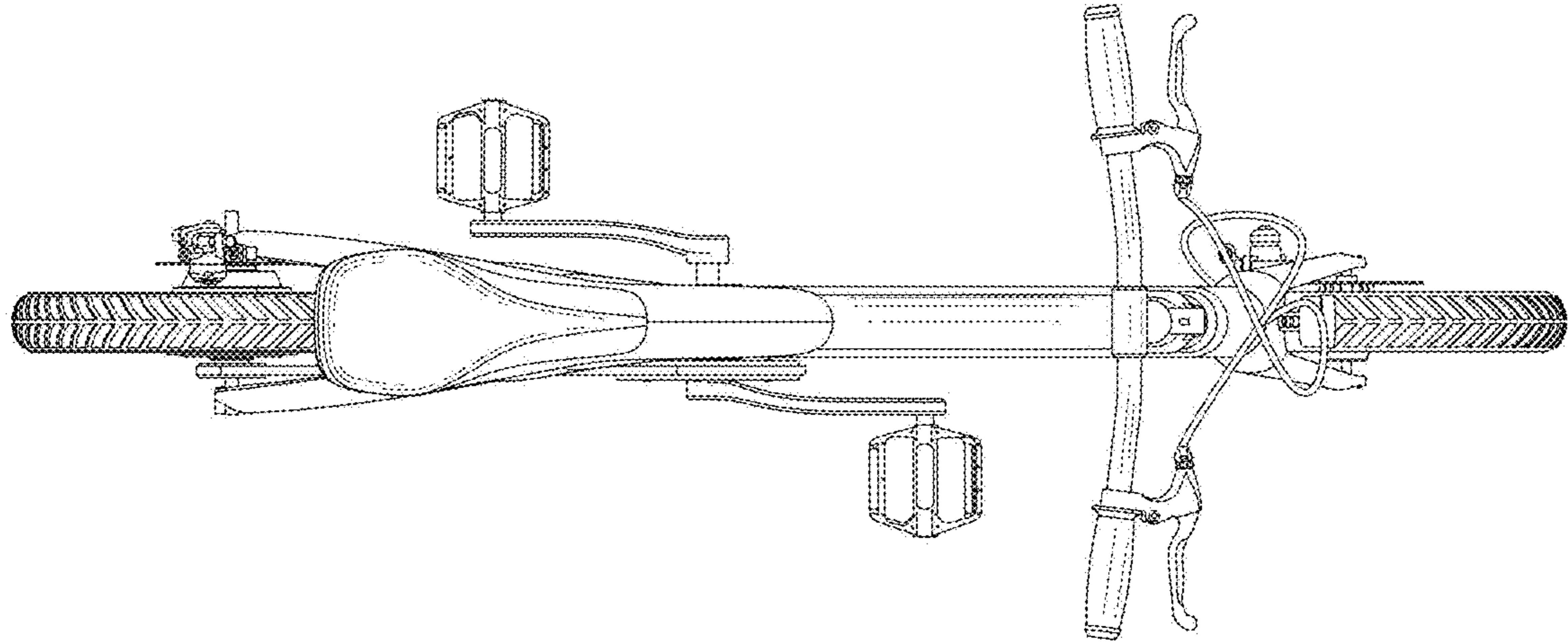


FIG.6

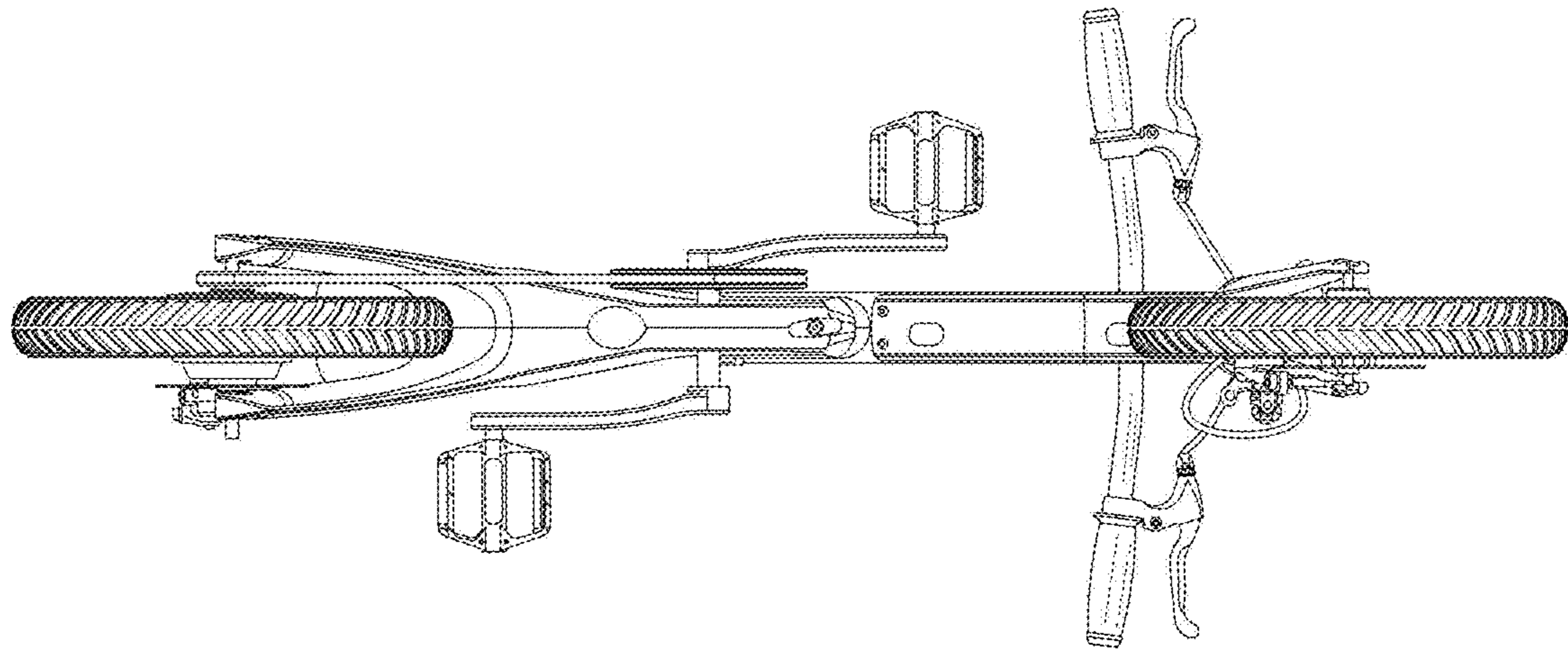


FIG.7