



US00D933537S

(12) **United States Design Patent** (10) **Patent No.:** **US D933,537 S**
Zhang (45) **Date of Patent:** **** Oct. 19, 2021**

(54) **BICYCLE**

FOREIGN PATENT DOCUMENTS

(71) Applicant: **Jianguang Zhang**, Los Angeles, CA
(US)

CN 201930631675.X * 6/2020
CN 201930704172.0 * 6/2020
CN 201930726749.8 * 8/2020
CN 201930743693.7 * 11/2020

(72) Inventor: **Jianguang Zhang**, Los Angeles, CA
(US)

OTHER PUBLICATIONS

(**) Term: **15 Years**

“SINCH Foldable Ebike” Aventon., posted date Feb. 5, 2020 [online], [retrieved on Jun. 29, 2021], Retrieved from the Internet < URL:https://www.aventon.com/products/aventon-sinch-foldable-electric-bike> (Year: 2020).*
“Inokim Ozo Bike” Inokim., posted date Sep. 29, 2019 [online], [retrieved on Jun. 29, 2021], Retrieved from the Internet < URL:https://inokim.shop/products/inokim-ozo-bike> (Year: 2019).*

(21) Appl. No.: **29/726,815**

(22) Filed: **Mar. 5, 2020**

(51) **LOC (13) Cl.** **12-11**

(52) **U.S. Cl.**
USPC **D12/111**

(58) **Field of Classification Search**
USPC D12/111, 117; D21/412, 414, 419,
D21/423–428
CPC B62K 3/00; B62K 3/02; B62K 3/06
See application file for complete search history.

Primary Examiner — Darlington Ly
Assistant Examiner — Nasim Abdulaziz Ali
(74) *Attorney, Agent, or Firm* — Che-Yang Chen; Law Office of Michael Chen

(Continued)

(57) **CLAIM**

The ornamental design for a bicycle, as shown and described.

(56) **References Cited**

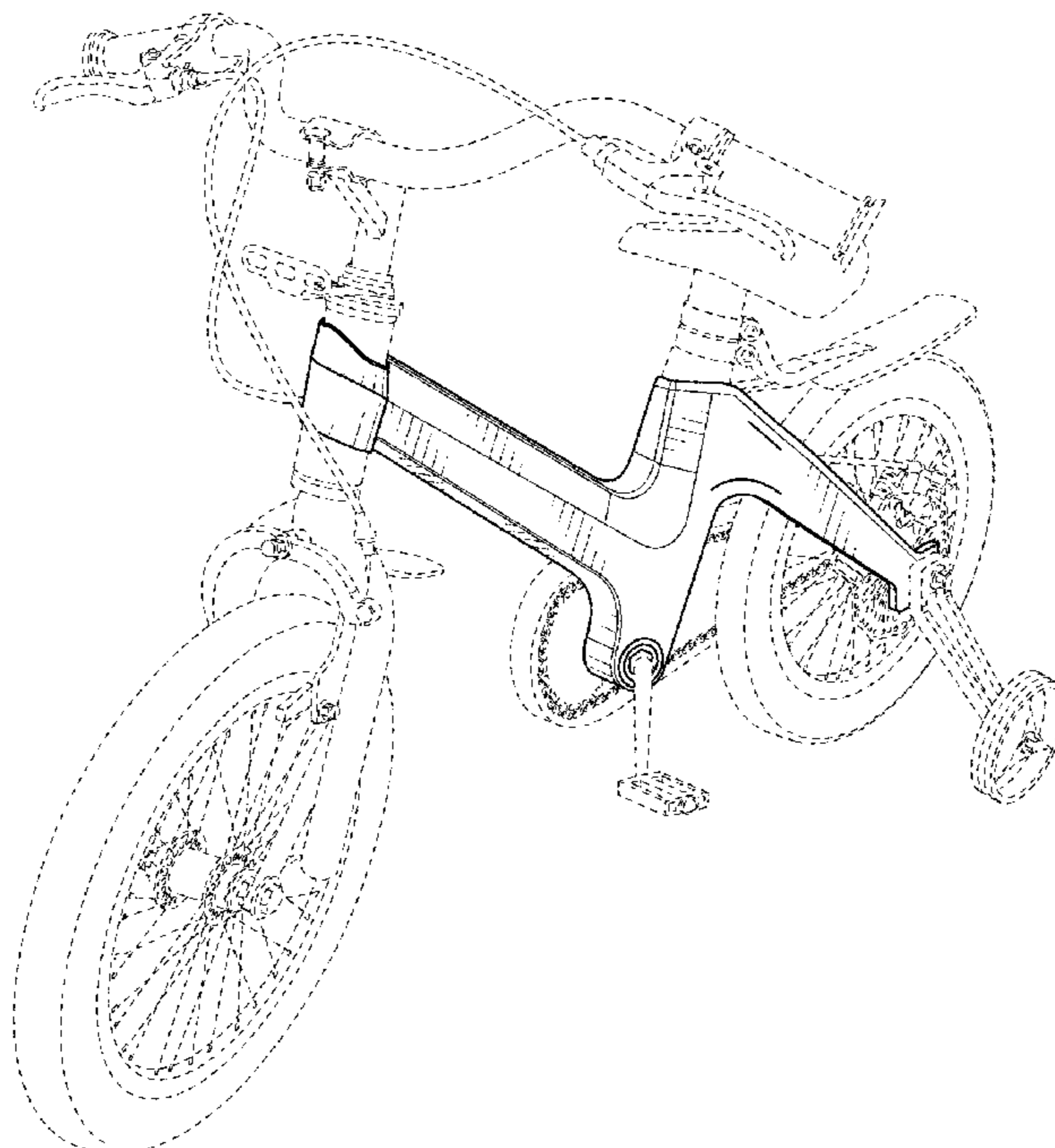
DESCRIPTION

U.S. PATENT DOCUMENTS

| | | | | | |
|------------|---|---------|----------|-------|---------|
| D430,070 S | * | 8/2000 | Kciuk | | D12/111 |
| D516,469 S | * | 3/2006 | Reinke | | D12/111 |
| D670,208 S | * | 11/2012 | Frenzel | | D12/111 |
| D685,683 S | * | 7/2013 | Shaw | | D12/111 |
| D745,836 S | * | 12/2015 | Poster | | D12/111 |
| D795,747 S | * | 8/2017 | Bailie | | D12/111 |
| D807,232 S | * | 1/2018 | Bailie | | D12/111 |
| D833,333 S | * | 11/2018 | Yu | | D12/111 |
| D854,969 S | * | 7/2019 | Gouin | | D12/111 |
| D890,633 S | * | 7/2020 | Zhou | | D12/111 |
| D900,680 S | * | 11/2020 | Chen | | D12/111 |
| D902,084 S | * | 11/2020 | Gauthier | | D12/111 |

FIG. 1 is a perspective view of the bicycle showing my new design;
FIG. 2 is a front elevational view thereof;
FIG. 3 is a rear elevational view thereof;
FIG. 4 is a left elevational view thereof;
FIG. 5 is a right elevational view thereof;
FIG. 6 is a top plan view thereof; and,
FIG. 7 is a bottom plan view thereof.
The broken lines depict portions of the bicycle that form no part of the claimed design.

1 Claim, 7 Drawing Sheets



(56)

References Cited

OTHER PUBLICATIONS

“XP Step-Thru 2.0 White” Lectric e Bikes., posted date Nov. 16, 2019 [online], [retrieved on Jun. 29, 2021], Retrieved from the Internet <URL:<https://lectricebikes.com/collections/ebikes/products/xp-step-thru-white>> (Year: 2019).*

“Metyere Electric Bike” Metyere., posted date Jul. 30, 2020 [online], [retrieved on Jun. 29, 2021], Retrieved from the Internet <URL:https://www.amazon.co.uk/Metyere-Electric-Inflatable-Suitable-Teenagers/dp/B08DY9DLM5/ref=psdc_469685031_t3_B07BXHWMD8> (Year: 2020).*

* cited by examiner

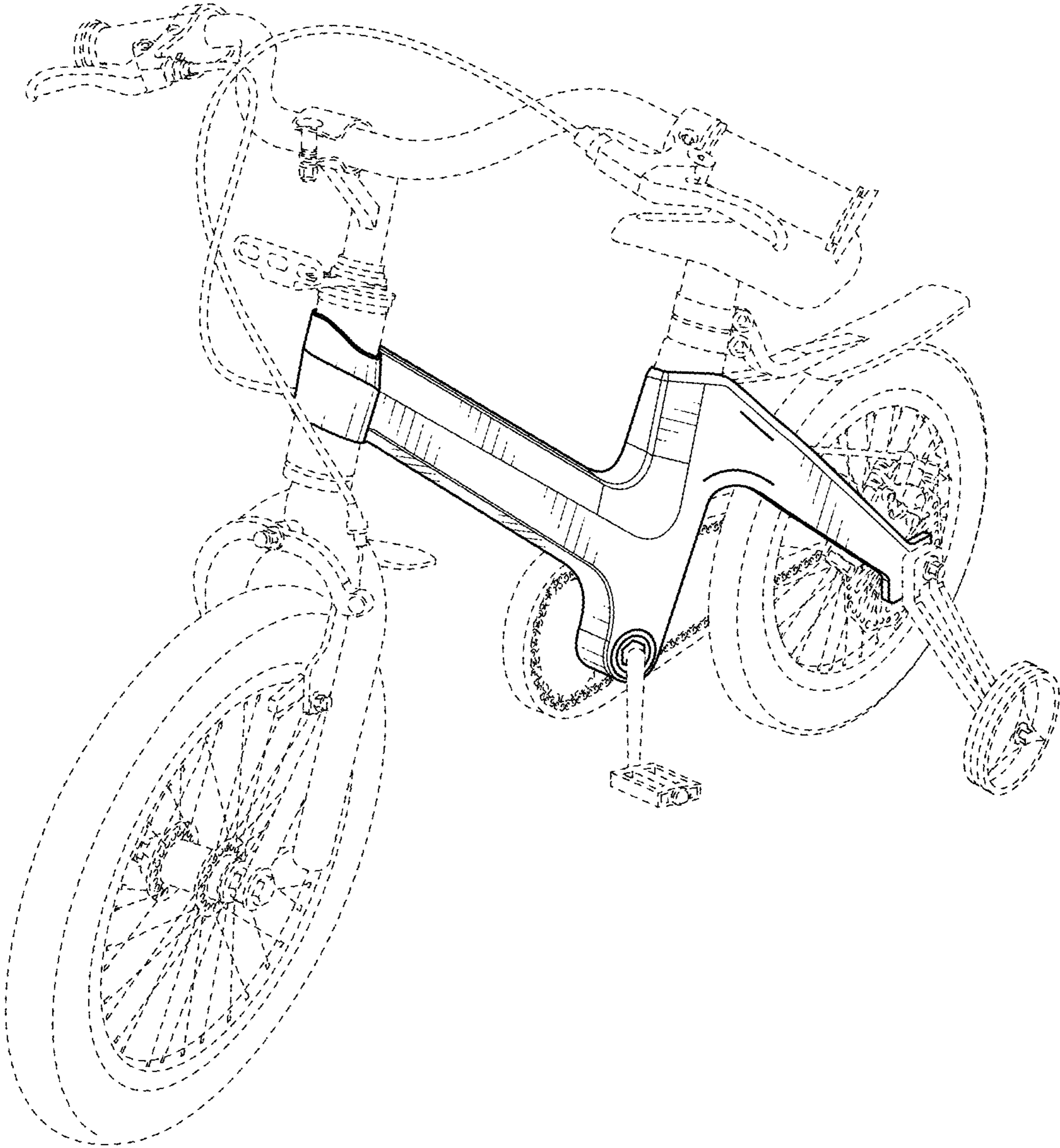


FIG. 1

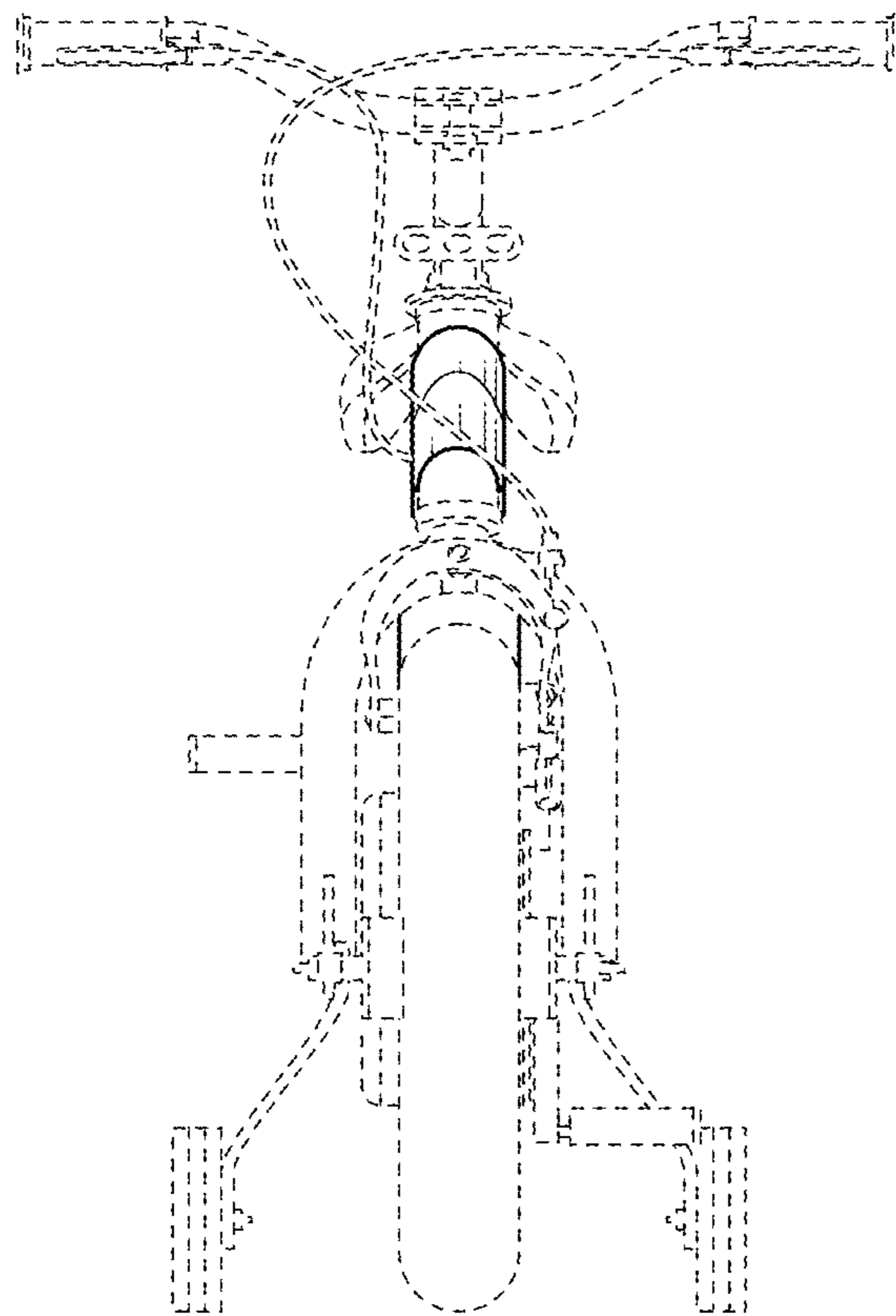


FIG. 2

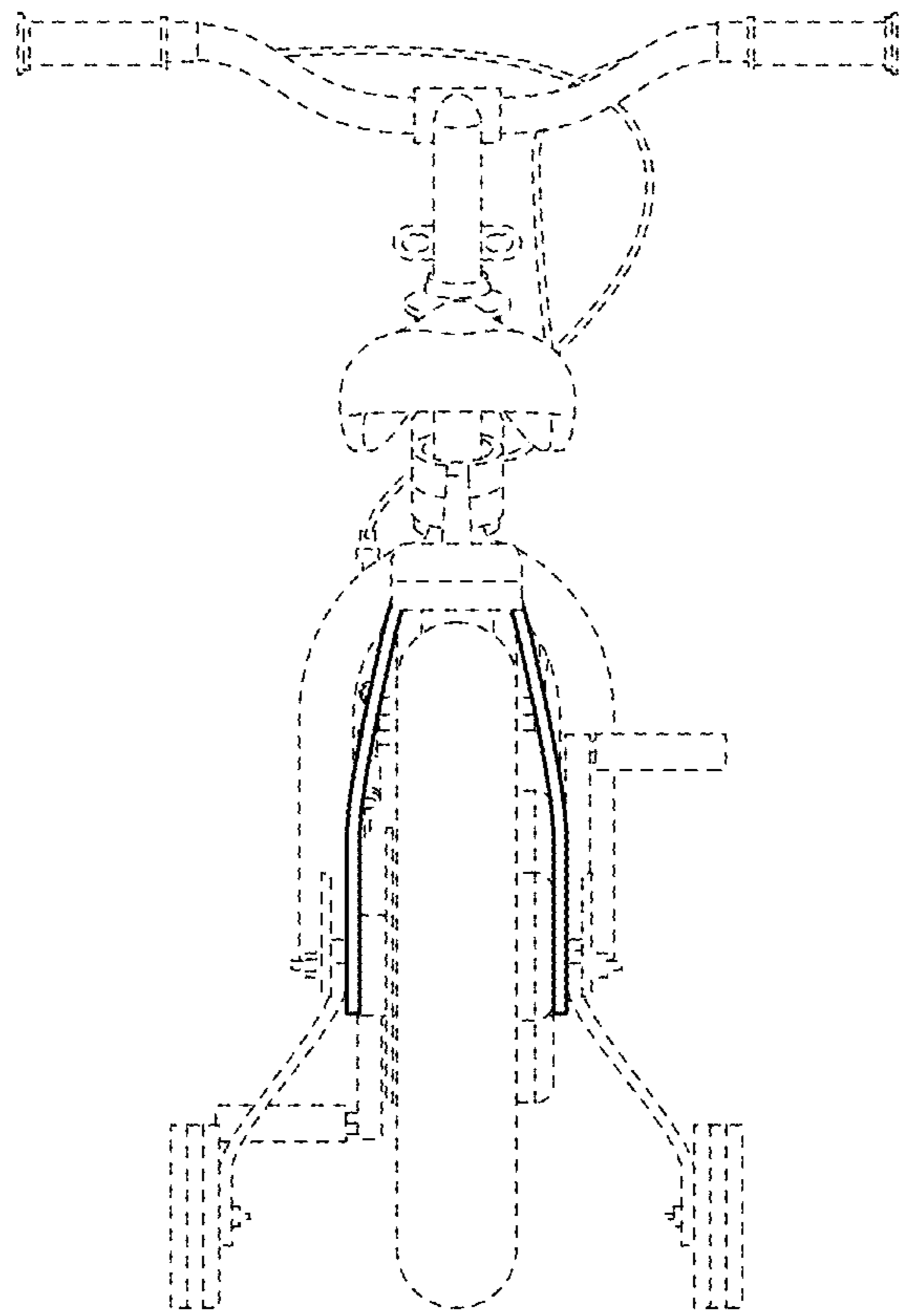


FIG. 3

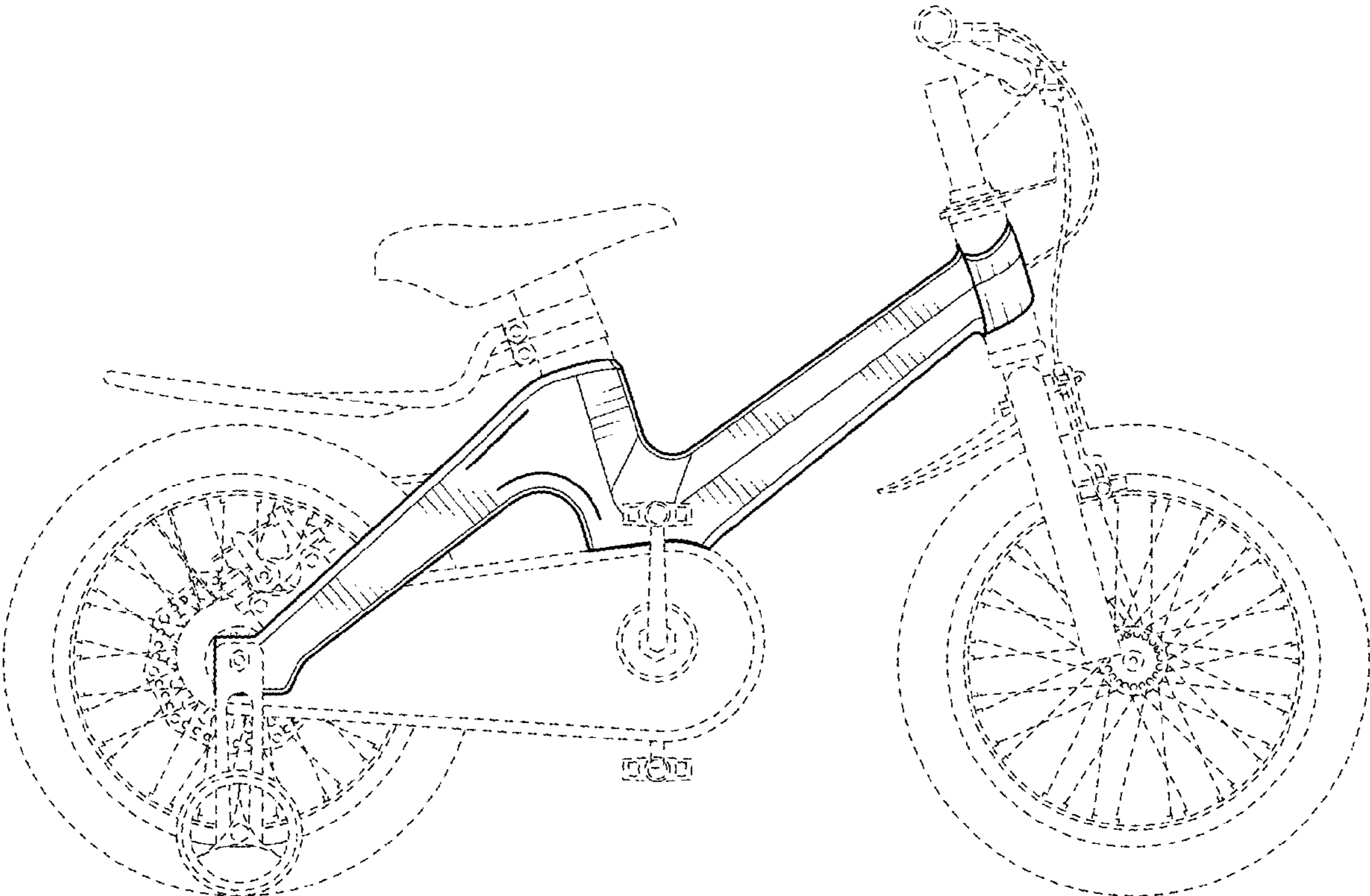


FIG. 4

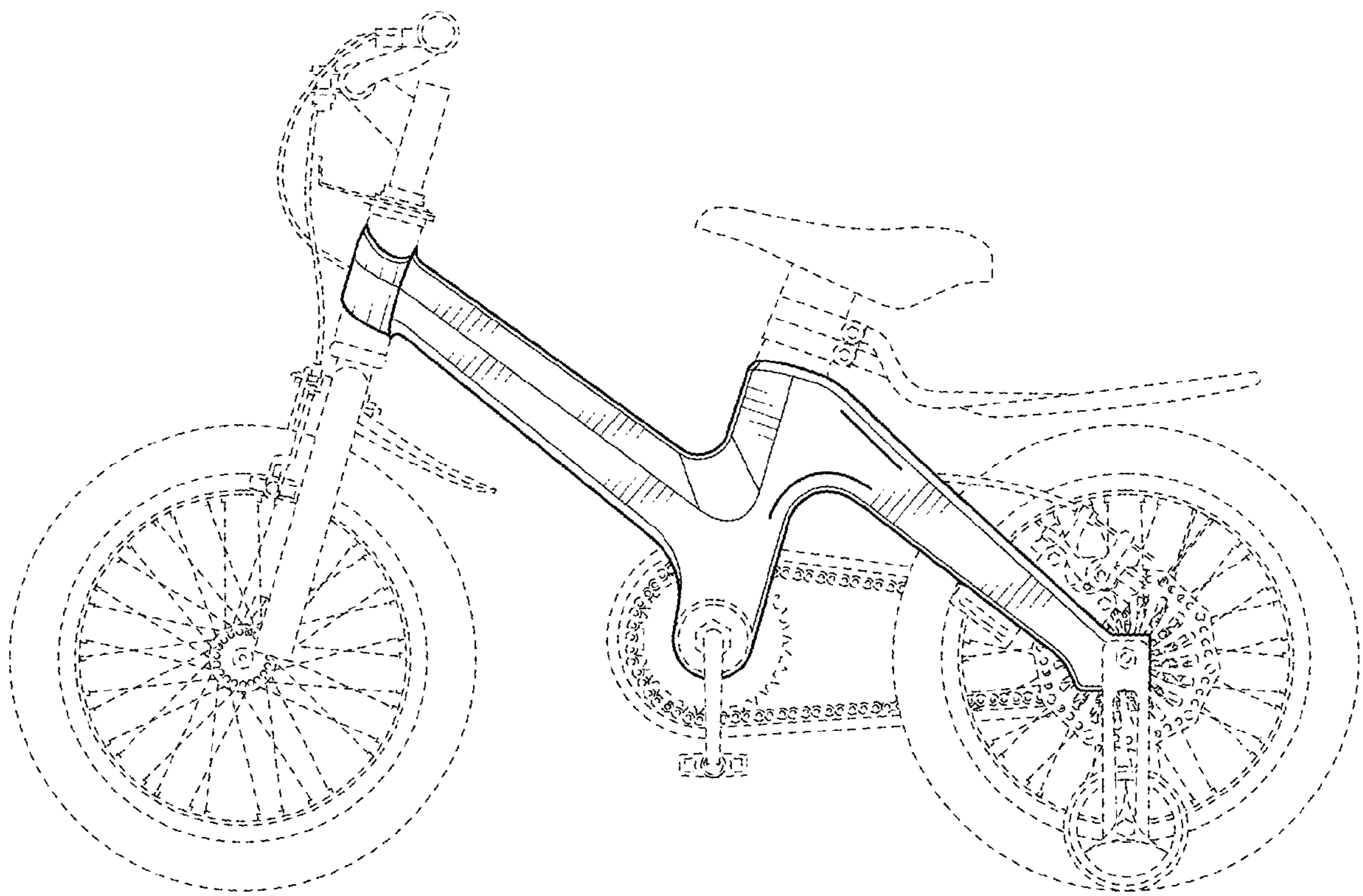


FIG. 5

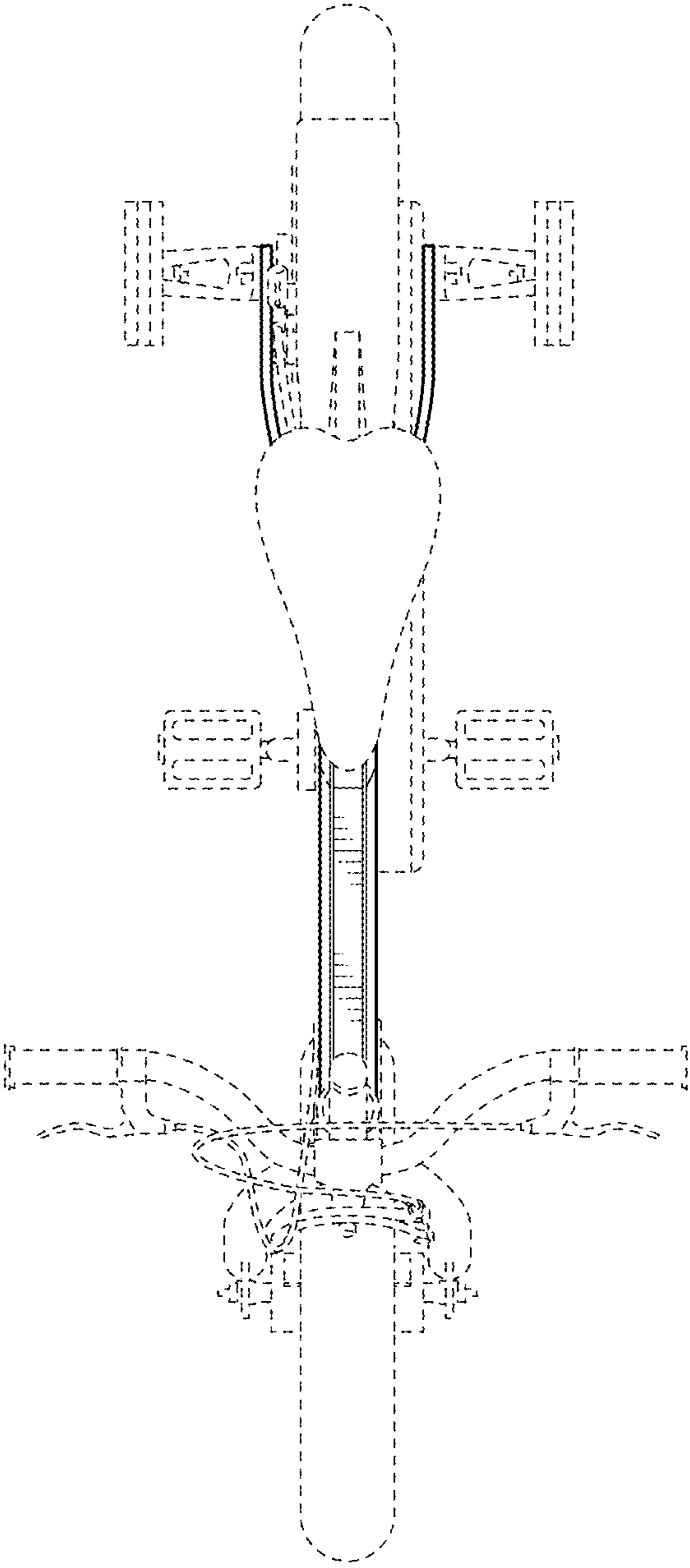


FIG. 6

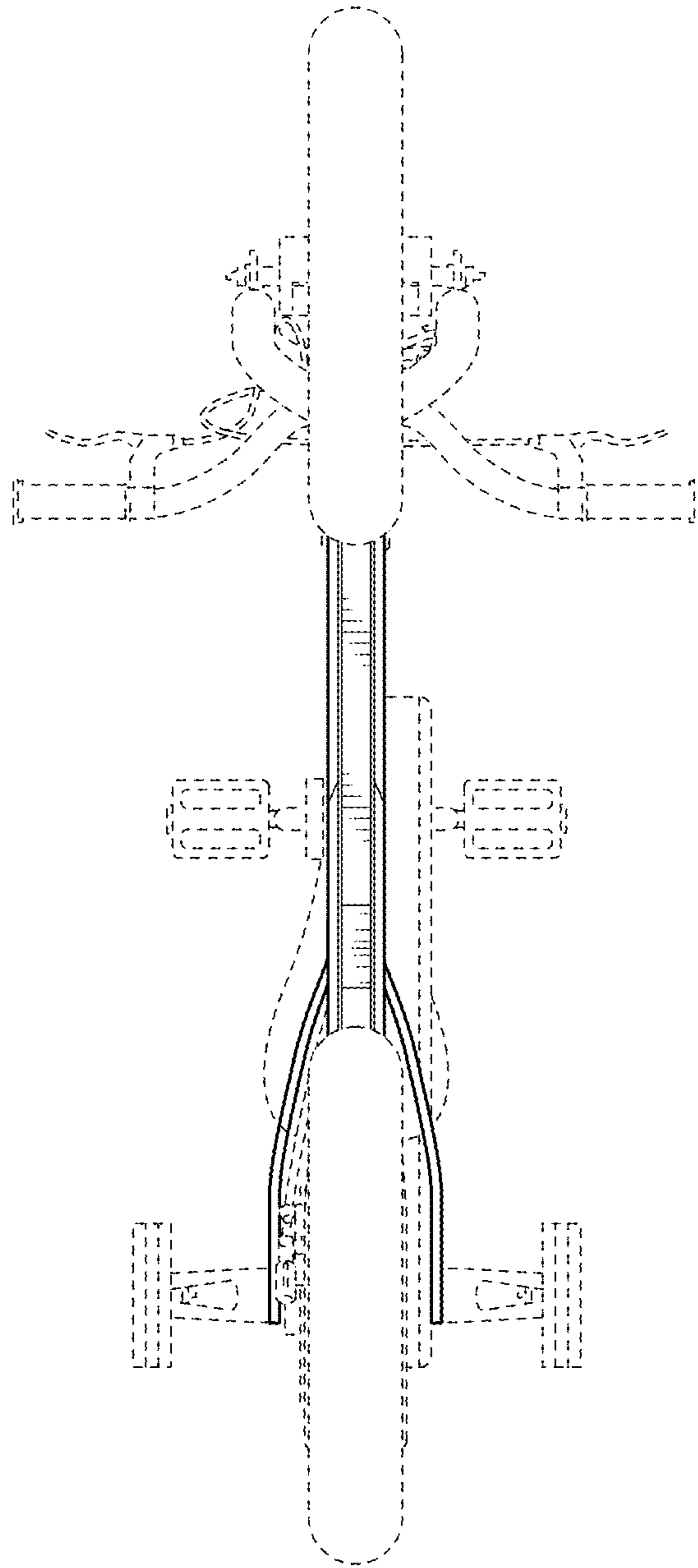


FIG. 7