



US00D933534S

(12) **United States Design Patent** (10) **Patent No.:** **US D933,534 S**  
**Savory** (45) **Date of Patent:** **\*\* Oct. 19, 2021**

- (54) **CAMPER TRAILER**
- (71) Applicant: **Phillip David Savory**, Wantirna South (AU)
- (72) Inventor: **Phillip David Savory**, Wantirna South (AU)
- (\*\*) Term: **15 Years**
- (21) Appl. No.: **29/726,195**
- (22) Filed: **Mar. 1, 2020**
- (51) **LOC (13) Cl.** ..... **12-16**
- (52) **U.S. Cl.**  
 USPC ..... **D12/102; D12/103**
- (58) **Field of Classification Search**  
 USPC ..... D12/100–106, 19, 129, 111–112;  
 D21/425, 435; D34/21–26, 12, 16–19  
 CPC .. B62D 35/00; B62D 33/077; B62D 33/0612;  
 B62D 24/04; B60P 3/10; B60P 3/1033;  
 B60P 3/0257; B60P 3/38; B60P 3/34;  
 E01F 15/14  
 See application file for complete search history.

7,789,452	B2 *	9/2010	Dempsey	.....	B60P 3/341	296/173
D661,225	S *	6/2012	Lovett	.....	D12/15	
D733,005	S *	6/2015	Erwin	.....	D12/101	
D803,102	S *	11/2017	Pletcher	.....	D12/101	
D817,940	S *	5/2018	Baker	.....	D14/242	
D865,571	S *	11/2019	Reinero	.....	D12/102	
D868,633	S *	12/2019	Krenelka	.....	D12/102	
D875,612	S *	2/2020	Arter	.....	D12/102	
D888,616	S *	6/2020	Brawley	.....	D12/102	

\* cited by examiner

*Primary Examiner* — Katrina A Betton  
 (74) *Attorney, Agent, or Firm* — FisherBroyles, LLP;  
 James W. Hill

(57) **CLAIM**

The ornamental design for a camper trailer, as shown and described.

**DESCRIPTION**

FIG. 1 is a front view of a camper trailer, according to my new design;  
 FIG. 2 is a front perspective view thereof;  
 FIG. 3 is a rear perspective view thereof;  
 FIG. 4 is a rear view thereof;  
 FIG. 5 is a top view thereof; and,  
 FIG. 6 is a side view thereof.  
 The broken lines indicate portions of the camper trailer and form no part of the claimed design.

**1 Claim, 6 Drawing Sheets**

(56) **References Cited**

**U.S. PATENT DOCUMENTS**

D326,629	S *	6/1992	Holler	.....	D12/102
D464,916	S *	10/2002	Golenz	.....	D12/102
D566,624	S *	4/2008	Dempsey	.....	D12/105
D566,625	S *	4/2008	Dempsey	.....	D12/105

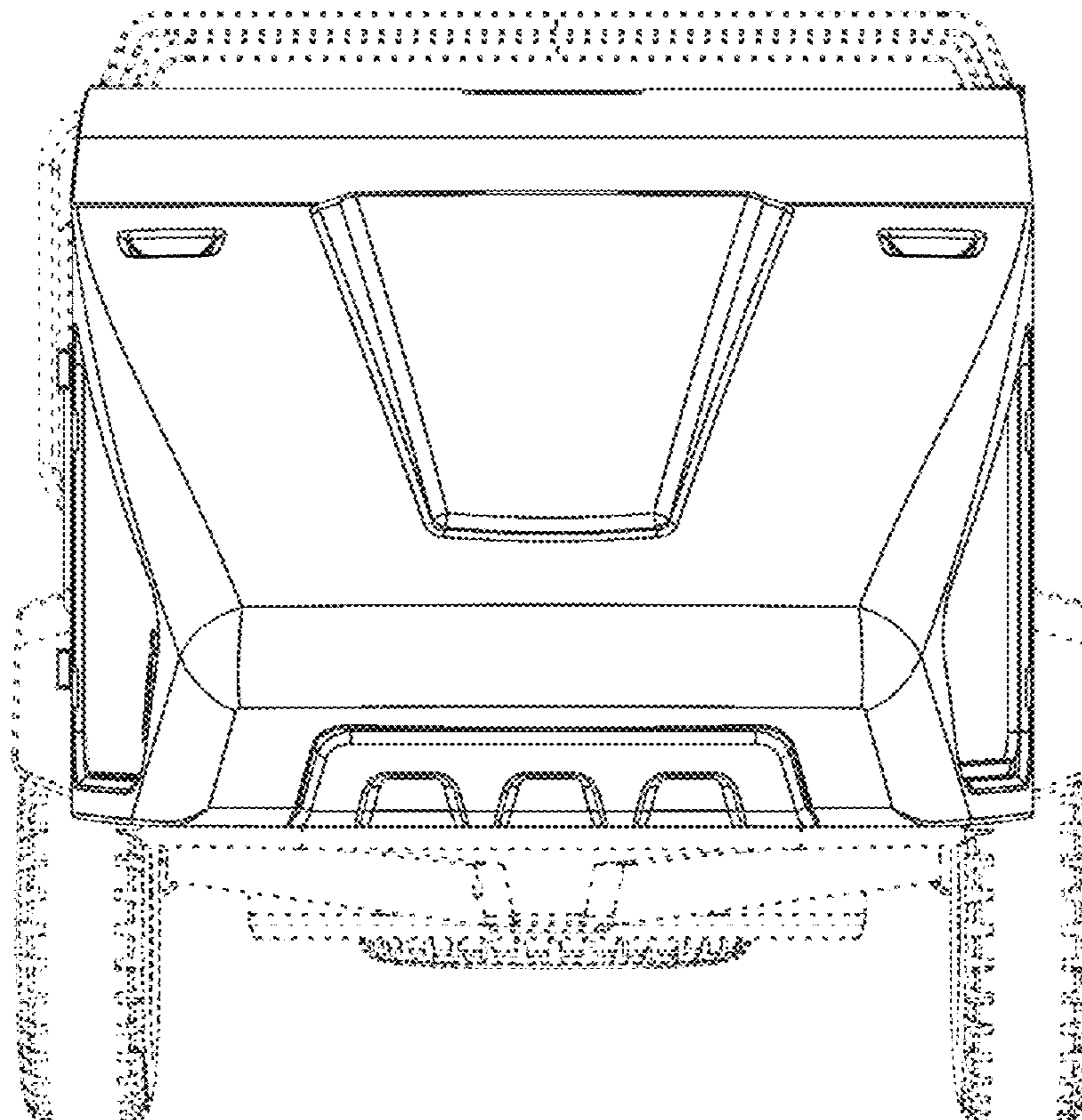


FIG. 1

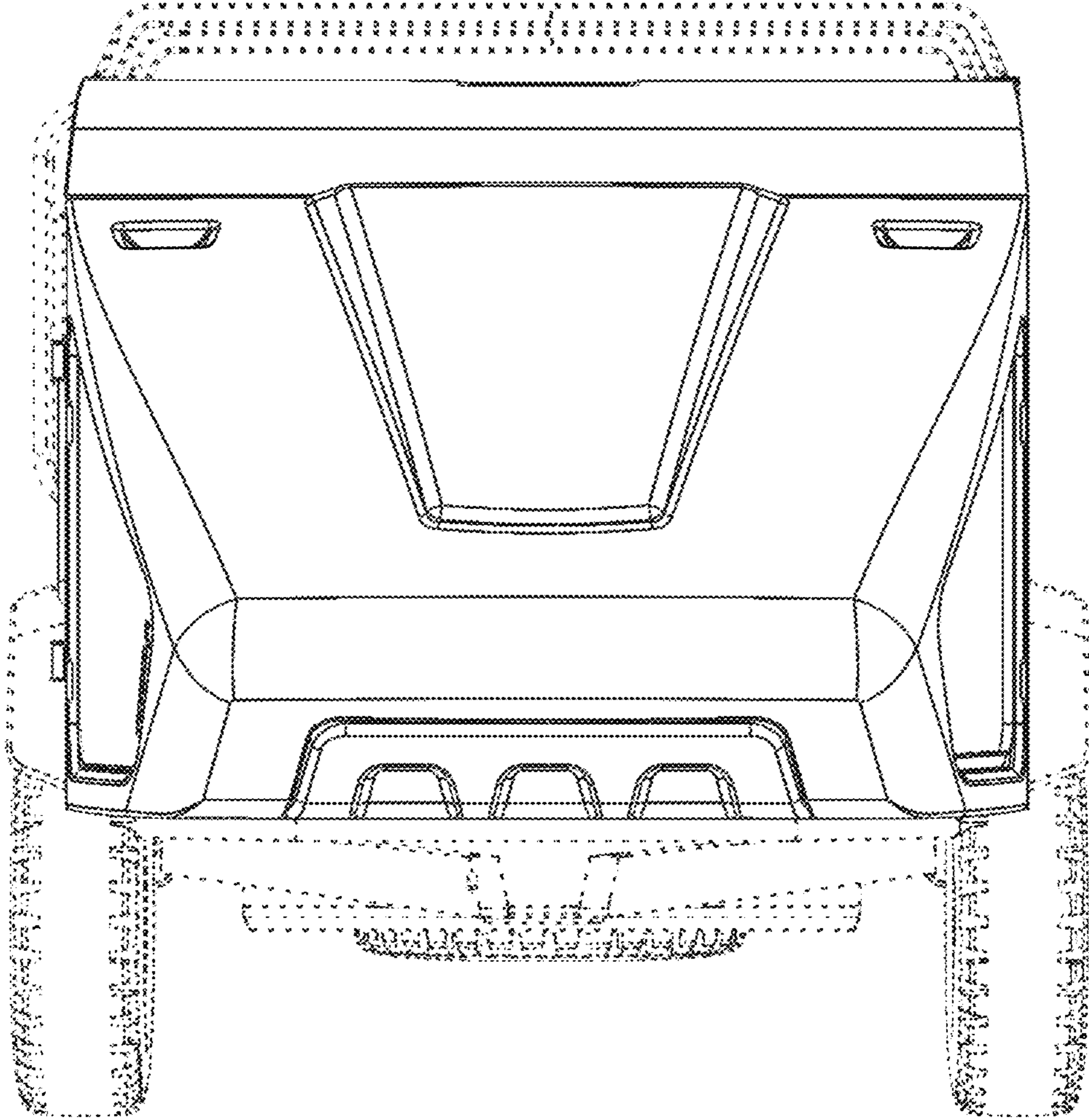


FIG. 2

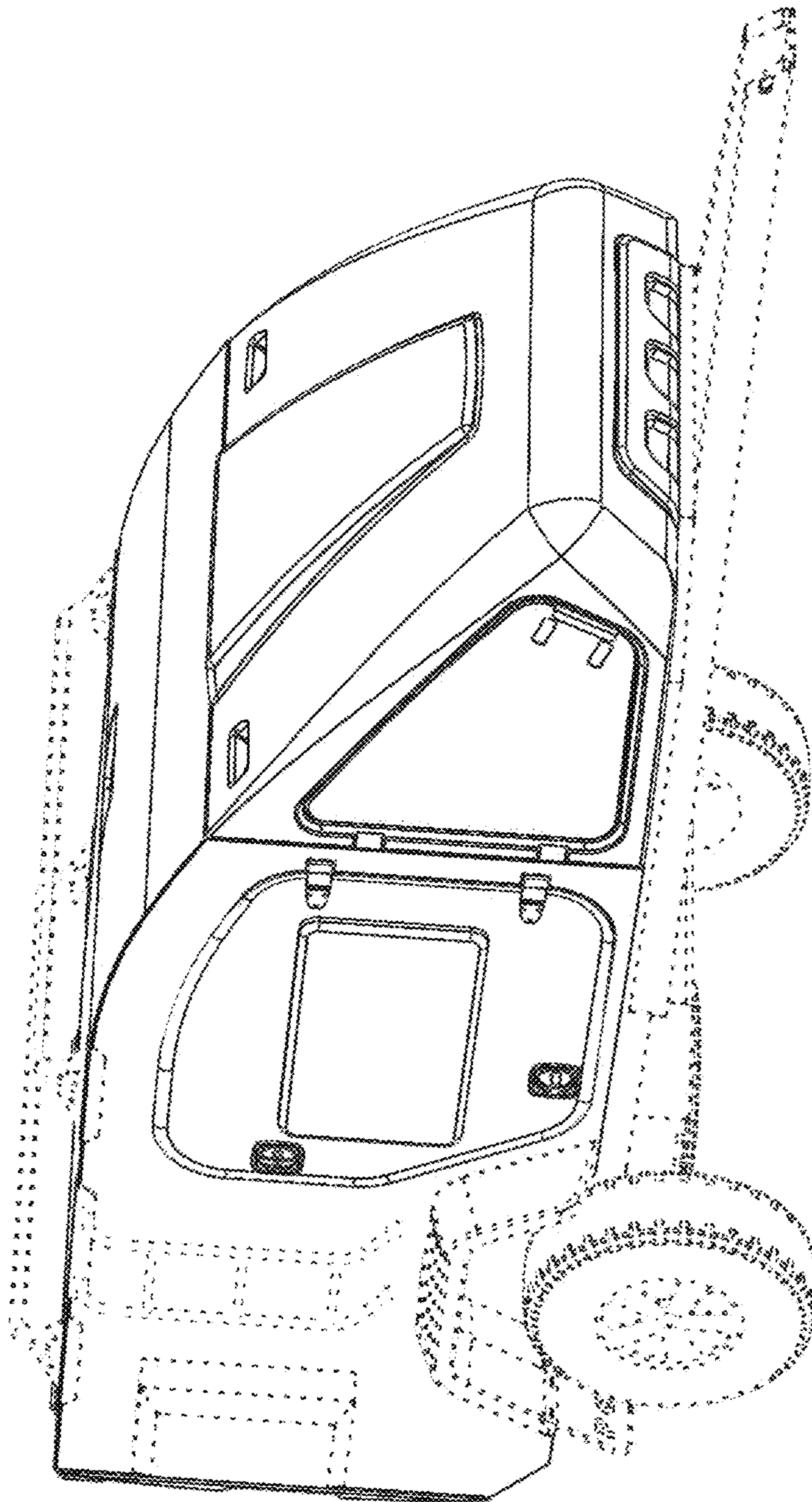




FIG. 3

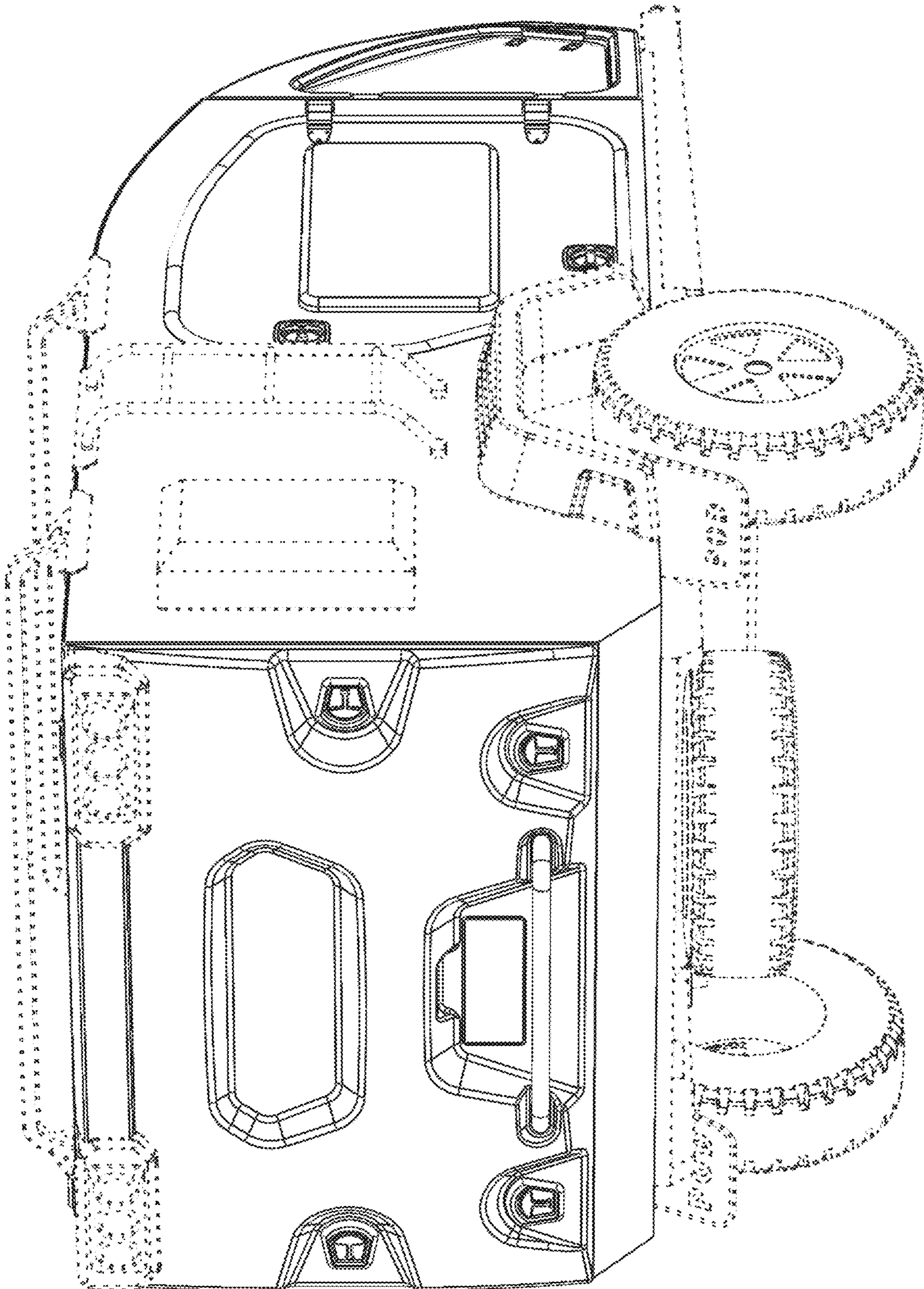


FIG. 4

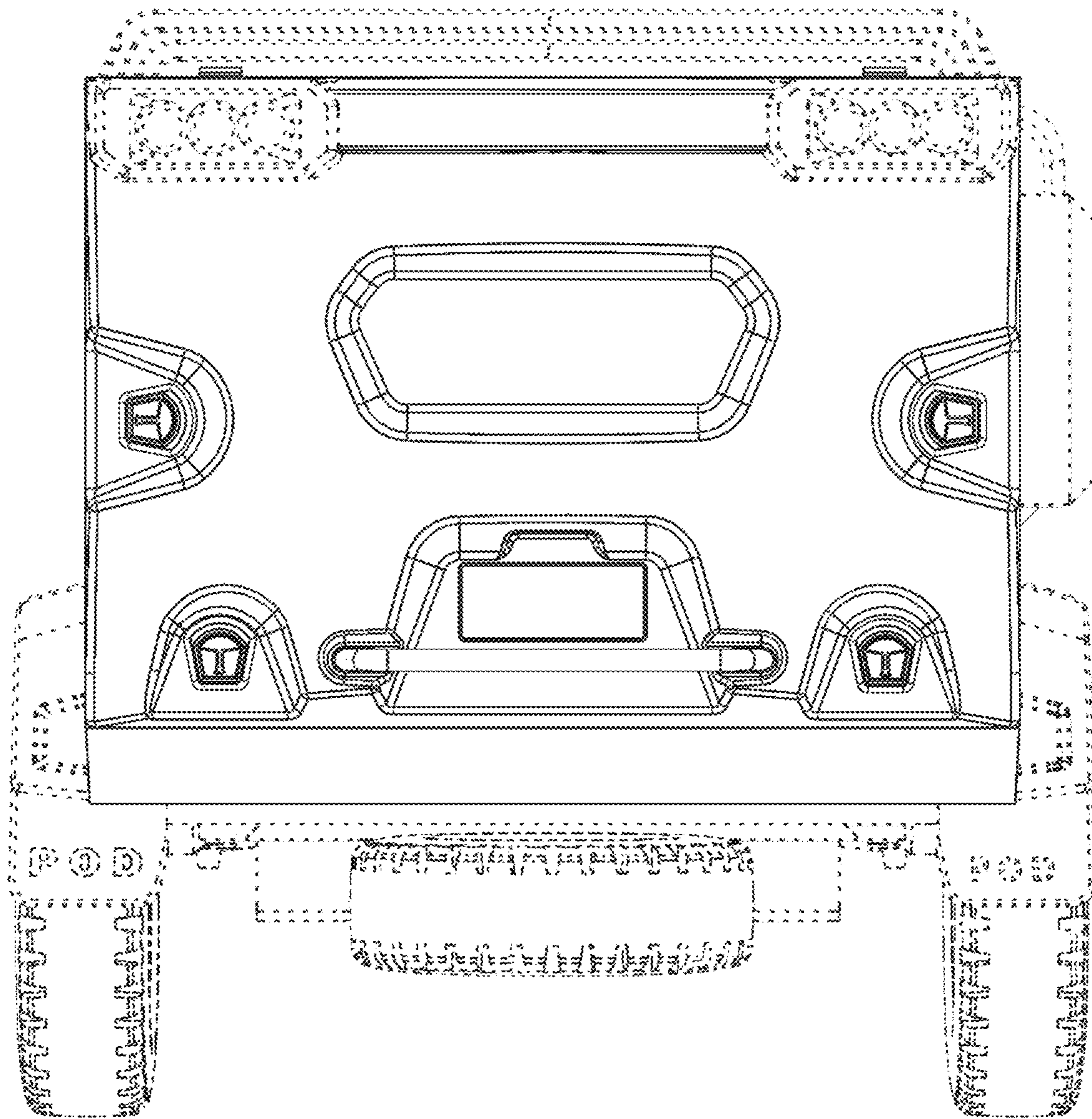




FIG. 5

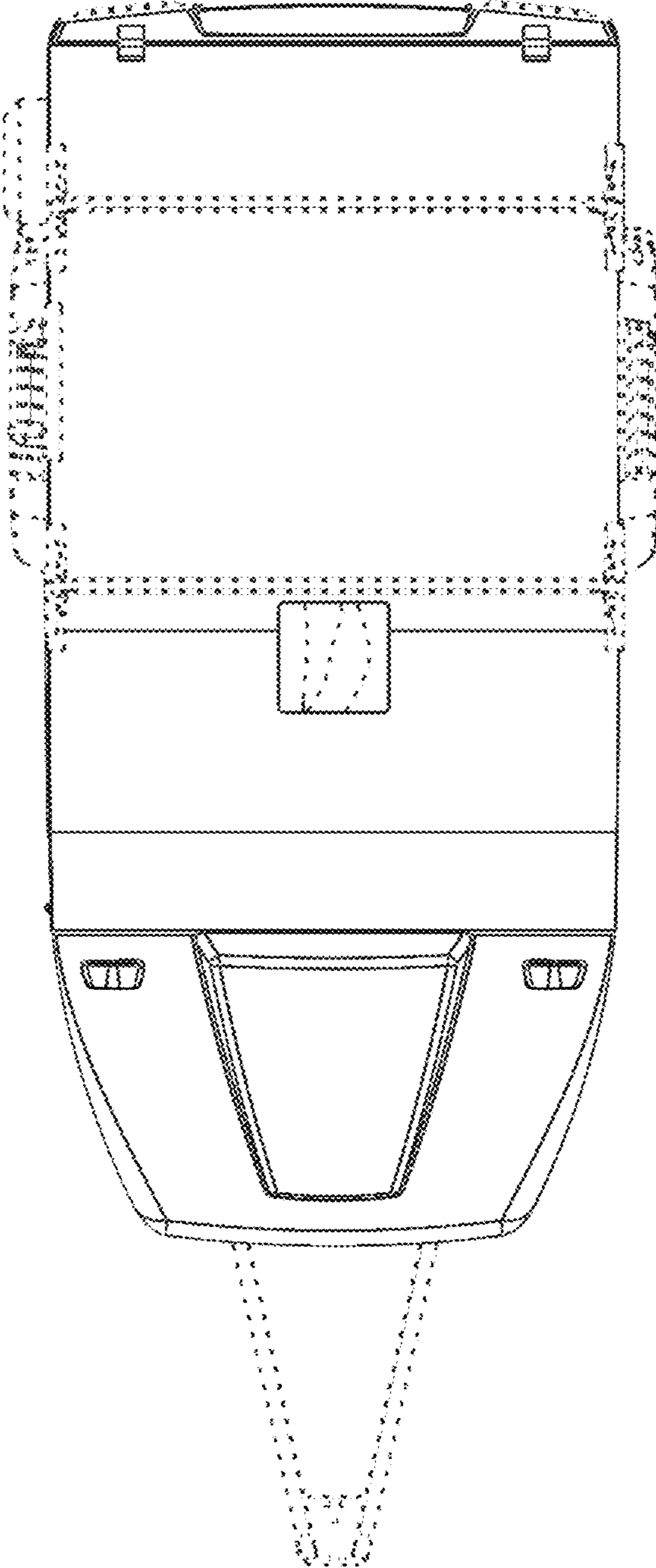


FIG. 6

