



US00D933533S

(12) **United States Design Patent** (10) **Patent No.:** **US D933,533 S**
Etzelsberger et al. (45) **Date of Patent:** **** Oct. 19, 2021**

(54) **FOLDABLE TRAILER**
(71) Applicant: **Urban Electric Co.**, Pasadena, CA (US)
(72) Inventors: **Sven Etzelsberger**, Pasadena, CA (US); **Peter Lee**, Pasadena, CA (US)

5,611,553 A 3/1997 Schoeman et al.
5,725,037 A 3/1998 Faulhaber
5,915,723 A 6/1999 Austin
6,079,777 A 6/2000 Simmons et al.
7,097,182 B1 8/2006 Liu
D636,615 S 4/2011 Grela
(Continued)

(73) Assignee: **Urban Electric Co.**, Pasadena, CA (US)

FOREIGN PATENT DOCUMENTS

(**) Term: **15 Years**

EM 007722707-0001 2/2020
EM 007722707-0002 2/2020
(Continued)

(21) Appl. No.: **29/726,073**

OTHER PUBLICATIONS

(22) Filed: **Feb. 28, 2020**
(51) **LOC (13) Cl.** **12-16**
(52) **U.S. Cl.**
USPC **D12/101**
(58) **Field of Classification Search**
USPC D12/100-106, 19, 129, 111-112;
D21/425, 435; D34/21-26, 12, 16-19
CPC .. B62D 35/00; B62D 33/077; B62D 33/0612;
B62D 24/04; B60P 3/10; B60P 3/1033;
B60P 3/0257; B60P 3/38; B60P 3/34;
E01F 15/14
See application file for complete search history.

International Search Report and Written Opinion for International Application No. PCT/US2020/026447, Search completed May 28, 2020, dated Jun. 15, 2020, 15 pgs.
(Continued)

Primary Examiner — Katrina A Betton
(74) *Attorney, Agent, or Firm* — KPPB LLP

(57) **CLAIM**

The ornamental design for a foldable trailer, as shown and described.

(56) **References Cited**

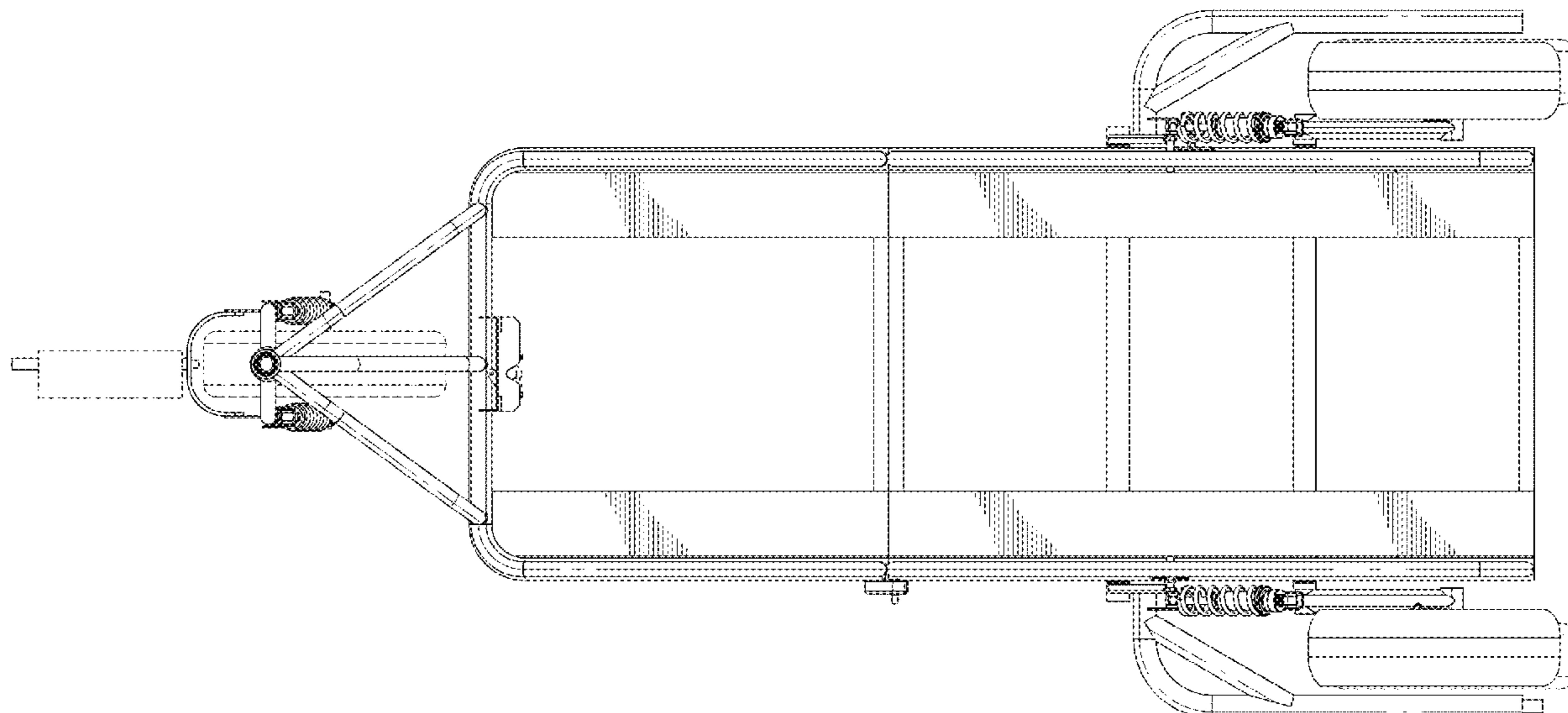
DESCRIPTION

U.S. PATENT DOCUMENTS

543,020 A 7/1895 Holmes
2,563,995 A 8/1951 East
2,564,939 A 8/1951 Weast
3,305,243 A 2/1967 Manfredi, Jr. et al.
3,407,959 A 10/1968 Roger
4,199,170 A 4/1980 Hubner et al.
4,326,731 A 4/1982 Woychio et al.
4,505,495 A 3/1985 Foss et al.
4,763,907 A 8/1988 Raymond
4,878,682 A 11/1989 Lee
4,887,836 A 12/1989 Simjian
5,318,312 A 6/1994 Montemayor

FIG. 1 is a top perspective view of a foldable trailer;
FIG. 2 is a bottom perspective view thereof;
FIG. 3 is first side view thereof;
FIG. 4 is second side view thereof;
FIG. 5 is a front plan view thereof;
FIG. 6 is a rear plan view thereof;
FIG. 7 is a top plan view thereof; and,
FIG. 8 is bottom plan view thereof.
The dashed broken lines in the figures illustrate the portions of the design that form no part of the claimed design.

1 Claim, 7 Drawing Sheets



(56)

References Cited

U.S. PATENT DOCUMENTS

8,453,771 B1 6/2013 Hirschfeld
 D698,699 S * 2/2014 Dempsey D12/101
 D698,701 S * 2/2014 Dempsey D12/101
 D706,684 S * 6/2014 Dempsey D12/101
 D710,262 S * 8/2014 Faye D12/101
 D711,613 S 8/2014 Brenner
 8,820,777 B1 9/2014 Pargansky et al.
 8,973,940 B2 3/2015 Chen et al.
 D733,005 S * 6/2015 Erwin D12/101
 9,226,574 B1 1/2016 Chen
 9,227,687 B2 1/2016 Delgatty et al.
 D760,122 S * 6/2016 Guidry D12/101
 D761,160 S * 7/2016 Gilles Duros D12/101
 D779,380 S * 2/2017 van den Berg D12/101
 9,694,868 B2 7/2017 Delgatty et al.
 D793,911 S * 8/2017 Yim D12/101
 9,731,779 B2 8/2017 Lamb
 D803,102 S * 11/2017 Pletcher D12/101
 9,873,476 B2 1/2018 Etzelsberger et al.
 9,969,227 B1 5/2018 Mcneave
 D823,611 S 7/2018 Illan
 10,214,230 B2 2/2019 Delgatty et al.
 D860,869 S * 9/2019 Moore D12/101
 D864,032 S * 10/2019 Bernard D12/101
 D868,508 S 12/2019 Sprong et al.
 D902,082 S * 11/2020 Sweeney D12/101

2008/0073880 A1 3/2008 Bess
 2011/0025005 A1 2/2011 Howell
 2011/0068072 A1 3/2011 Zhu et al.
 2011/0204598 A1 8/2011 Stevenson
 2014/0284902 A1 9/2014 Bar Noy
 2015/0035258 A1 2/2015 Chen et al.
 2015/0118006 A1 4/2015 Wallace-Riley
 2016/0121943 A1 5/2016 Lamb
 2017/0066463 A1 3/2017 Wang et al.
 2017/0259838 A1 9/2017 Choi
 2017/0297598 A1 10/2017 Delgatty et al.
 2018/0263367 A1 9/2018 Kuffel
 2020/0031377 A1 1/2020 Delgatty et al.

FOREIGN PATENT DOCUMENTS

EM 007722707-0003 2/2020
 EM 007722707-0004 2/2020
 EM 007722707-0005 2/2020
 EM 008129761-0001 8/2020
 WO 2020206163 A1 10/2020

OTHER PUBLICATIONS

URB-E, announced 2021 [online], [site visited Feb. 22, 2021].
 Available from internet, URL: <https://urb-e.com/products/new-delivery-solutions>.

* cited by examiner

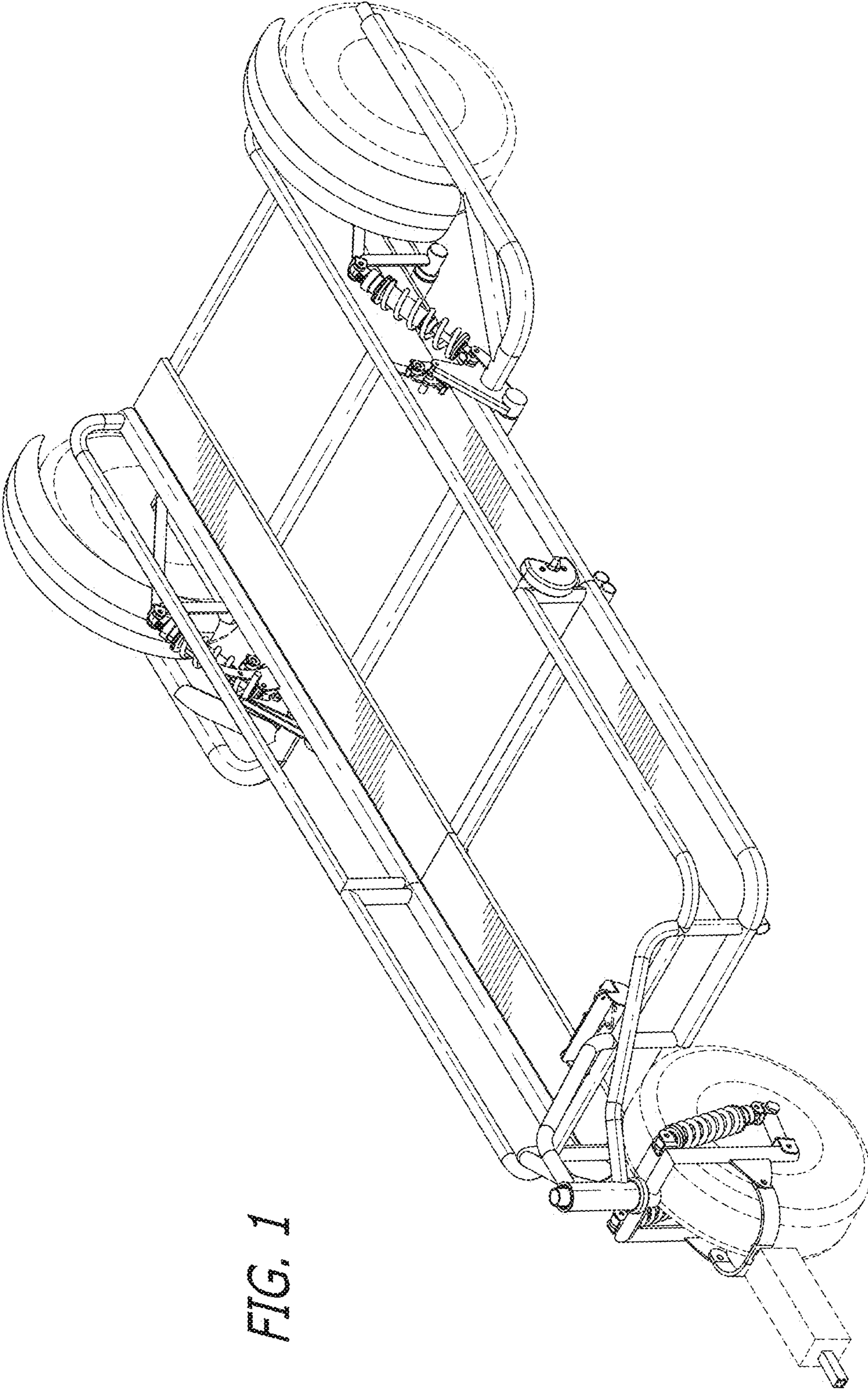
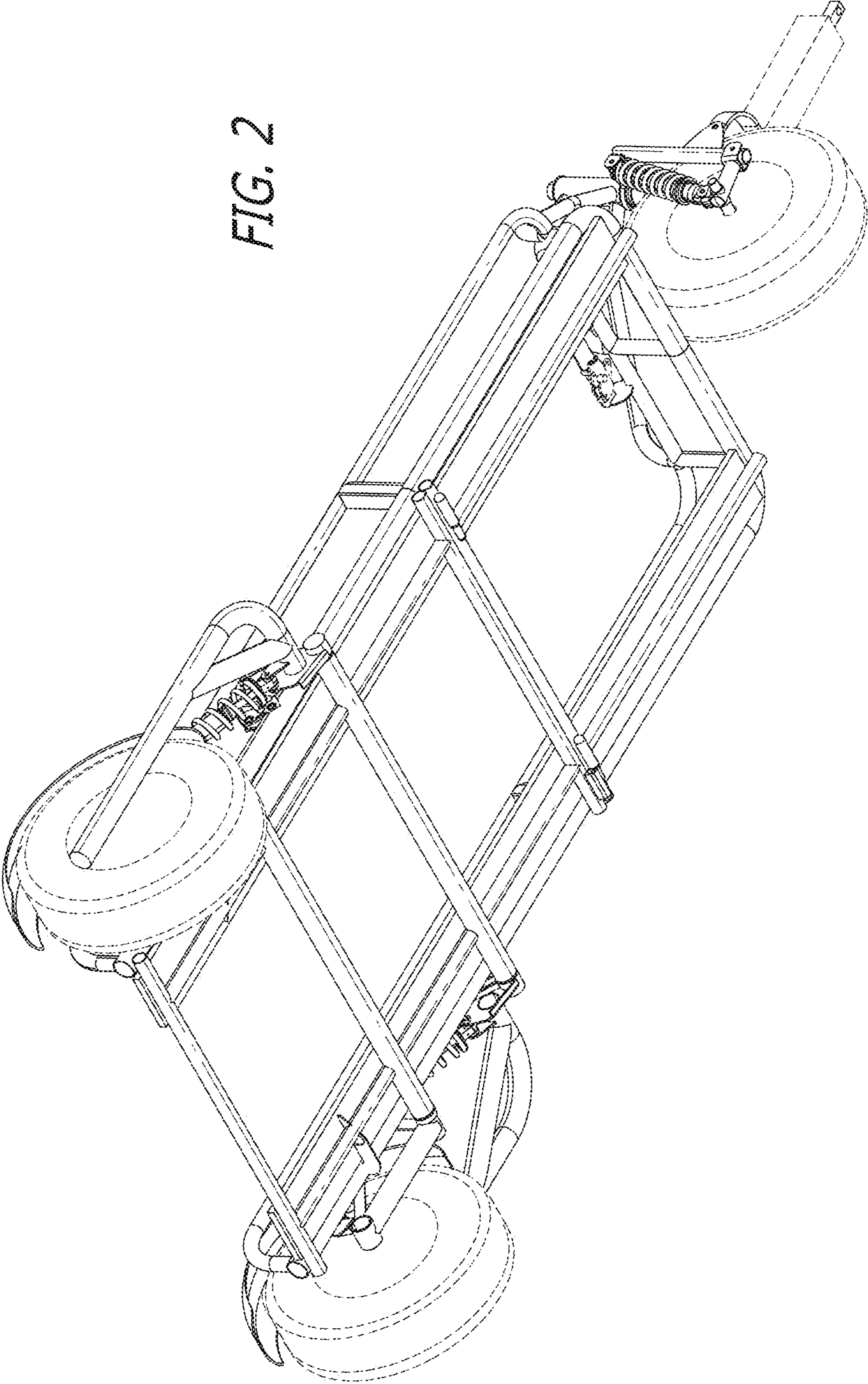


FIG. 1

FIG. 2



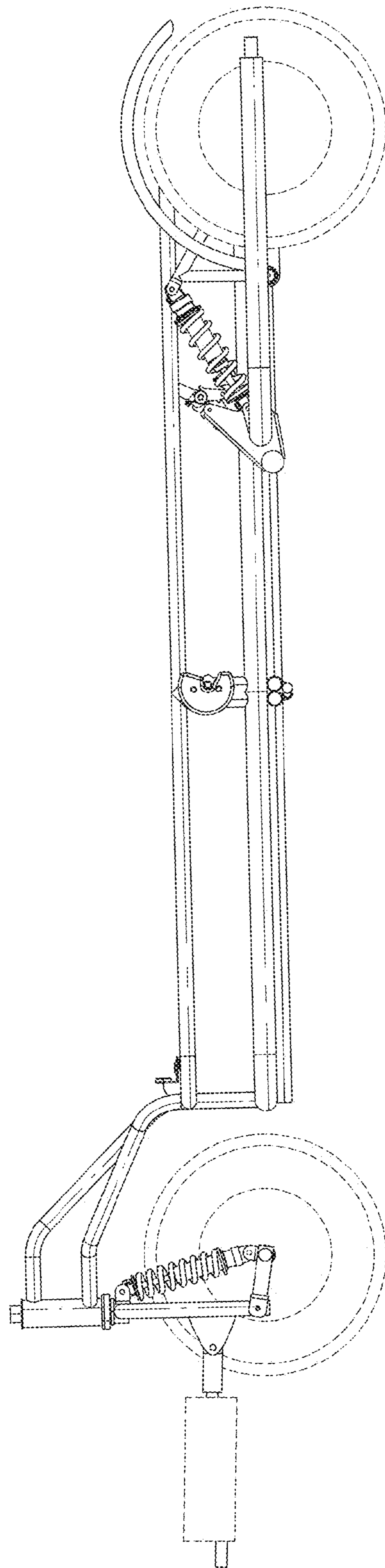


FIG. 3

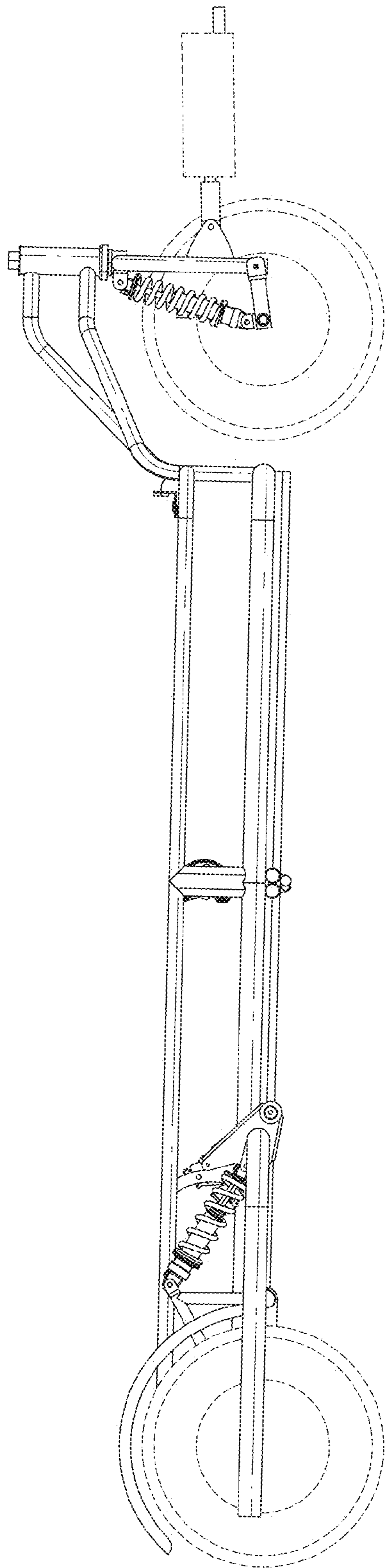


FIG. 4

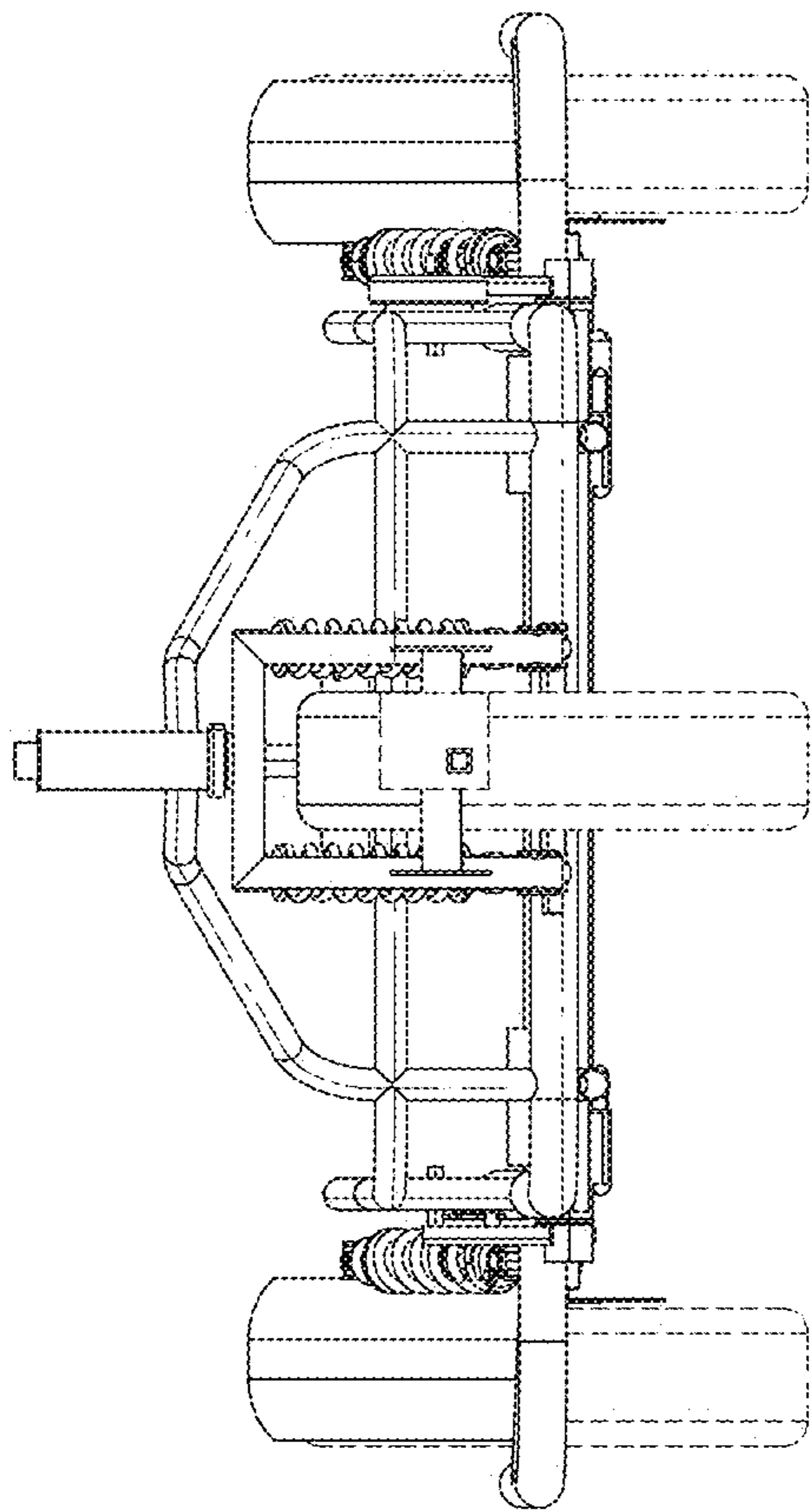


FIG. 5

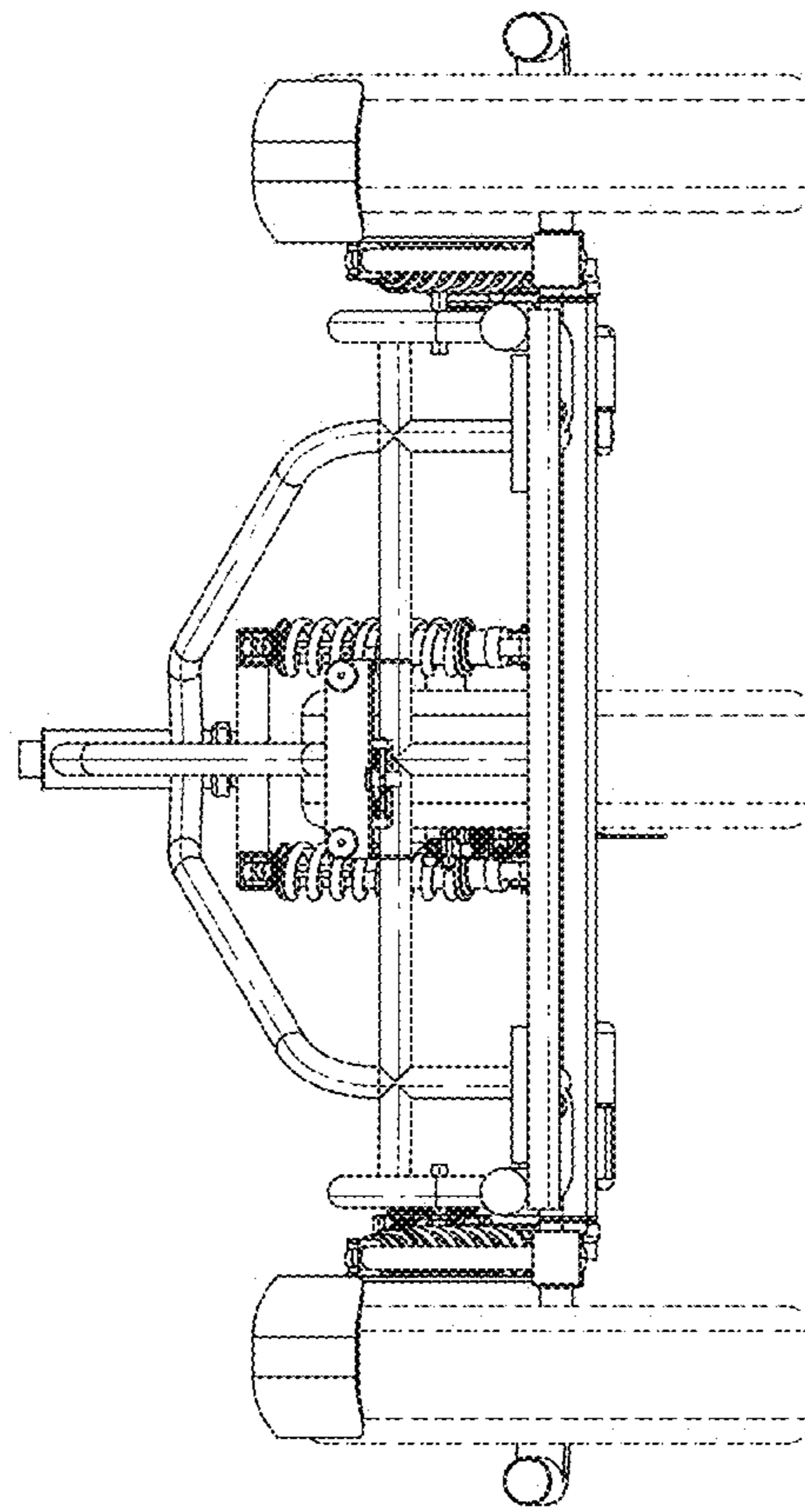


FIG. 6

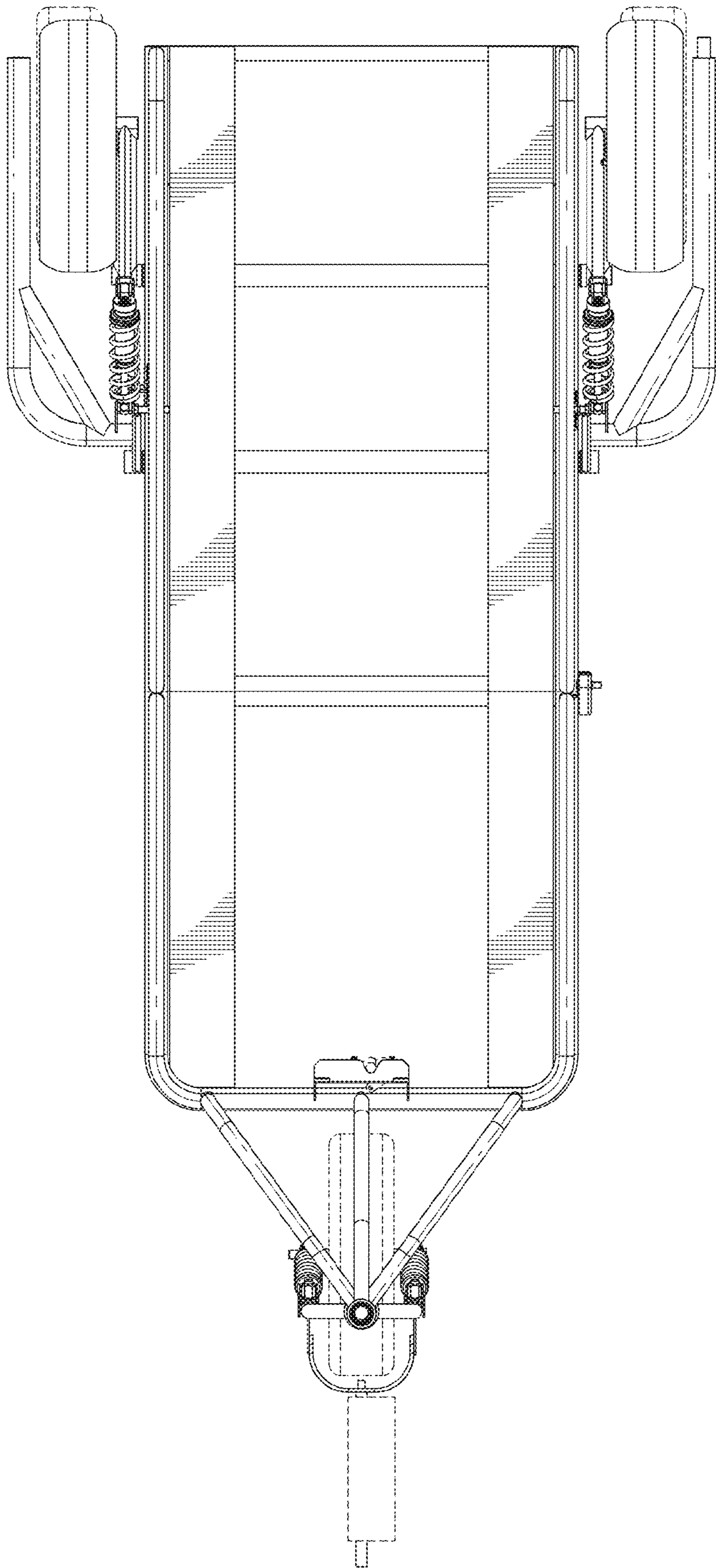


FIG. 7

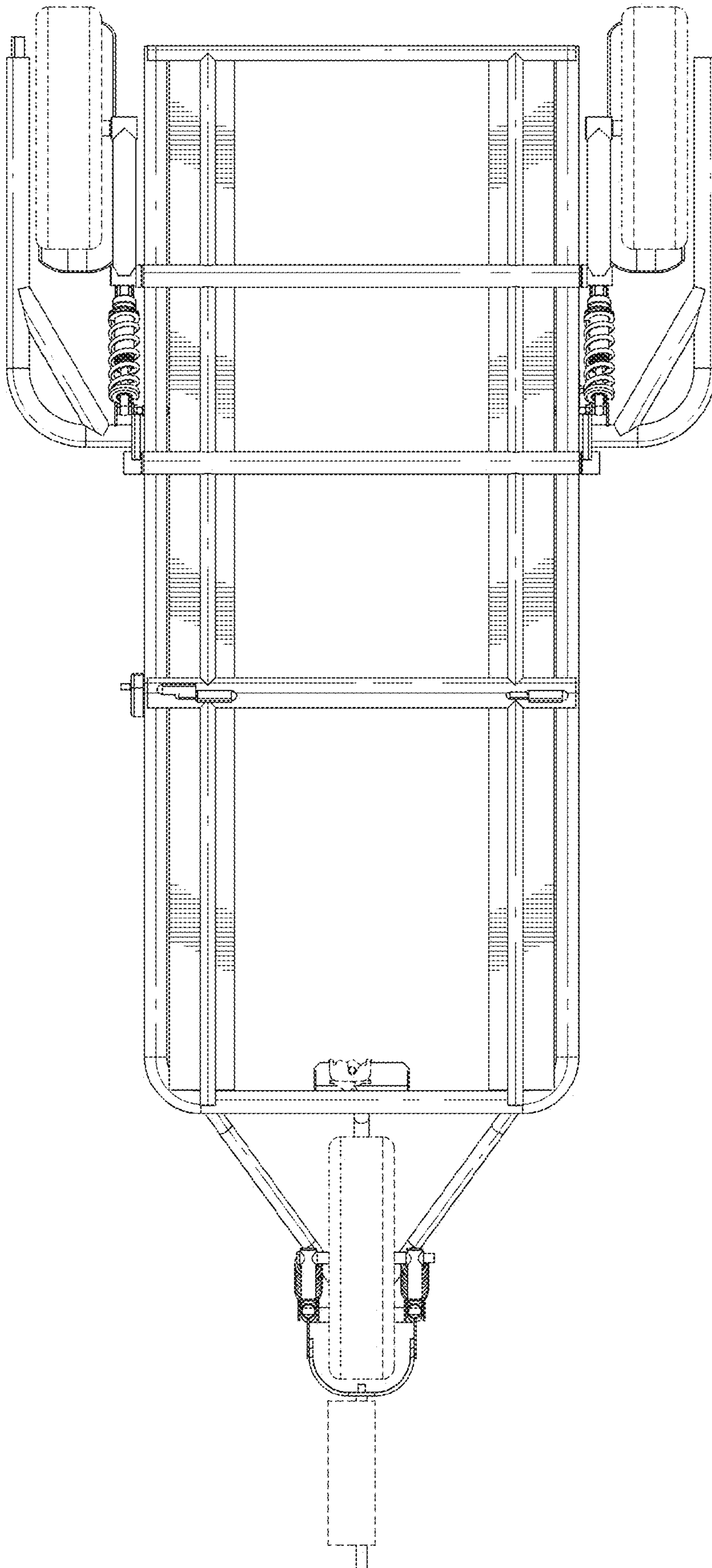


FIG. 8