



US00D933532S

(12) **United States Design Patent**  
**Kupitza**

(10) **Patent No.:** **US D933,532 S**

(45) **Date of Patent:** **\*\* Oct. 19, 2021**

(54) **MOTOR TRUCK**  
(71) Applicant: **MAN Truck & Bus SE**, Munich (DE)  
(72) Inventor: **Rudolf Kupitza**, Munich (DE)  
(73) Assignee: **MAN Truck & Bus SE**, Munich (DE)  
(\*\*) Term: **15 Years**  
(21) Appl. No.: **35/509,887**

D425,826 S \* 5/2000 Hellhake ..... D12/96  
6,230,832 B1 \* 5/2001 von Mayenburg .... B60K 11/08  
180/68.1  
D540,219 S \* 4/2007 Oka ..... D12/96  
D567,885 S \* 4/2008 Amadio ..... D21/559  
D685,294 S \* 7/2013 Hanson ..... D12/93  
8,590,652 B2 \* 11/2013 Grumbo ..... B62D 33/067  
180/68.6  
D700,109 S \* 2/2014 Brzustowicz ..... D12/96  
2013/0202395 A1 \* 8/2013 Levi ..... B60R 3/005  
414/462

(22) Filed: **Nov. 26, 2019**

(80) **Hague Agreement Data**

Int. Filing Date: **Nov. 26, 2019**  
Int. Reg. No.: **DM/209227**  
Int. Reg. Date: **Nov. 26, 2019**  
Int. Reg. Pub. Date: **Jul. 24, 2020**

(30) **Foreign Application Priority Data**

Jun. 6, 2019 (DE) ..... 40 2019 100 633.8

(51) **LOC (13) Cl.** ..... **12-08**

(52) **U.S. Cl.**  
USPC ..... **D12/93**

(58) **Field of Classification Search**

USPC ..... D12/93, 96, 97, 99; D21/424, 434, 581  
CPC ..... B62D 21/02; B62D 25/10; B62D 29/048;  
B62D 33/06; B62D 33/067  
See application file for complete search history.

(56) **References Cited**

**U.S. PATENT DOCUMENTS**

2,699,223 A \* 1/1955 Brumbaugh ..... B62D 25/10  
180/89.14  
D276,710 S \* 12/1984 Brunger ..... D12/96  
4,972,913 A \* 11/1990 Ray ..... B60R 19/14  
180/69.21  
D416,829 S \* 11/1999 Sacco ..... D12/96  
D422,944 S \* 4/2000 Hellhake ..... D12/96

**OTHER PUBLICATIONS**

Kristen Hall-Geisler. "Nikola Motor Company unveils its electric (mostly) truck." Tech Crunch., May 19, 2016 [online], [retrieved on Sep. 1, 2021]. Retrieved from the Internet <URL: https://techcrunch.com/2016/05/19/nikola-motor-company-unveils-its-electric-mostly-truck/>.\*

(Continued)

*Primary Examiner* — Darlington Ly

(74) *Attorney, Agent, or Firm* — Fox Rothschild LLP

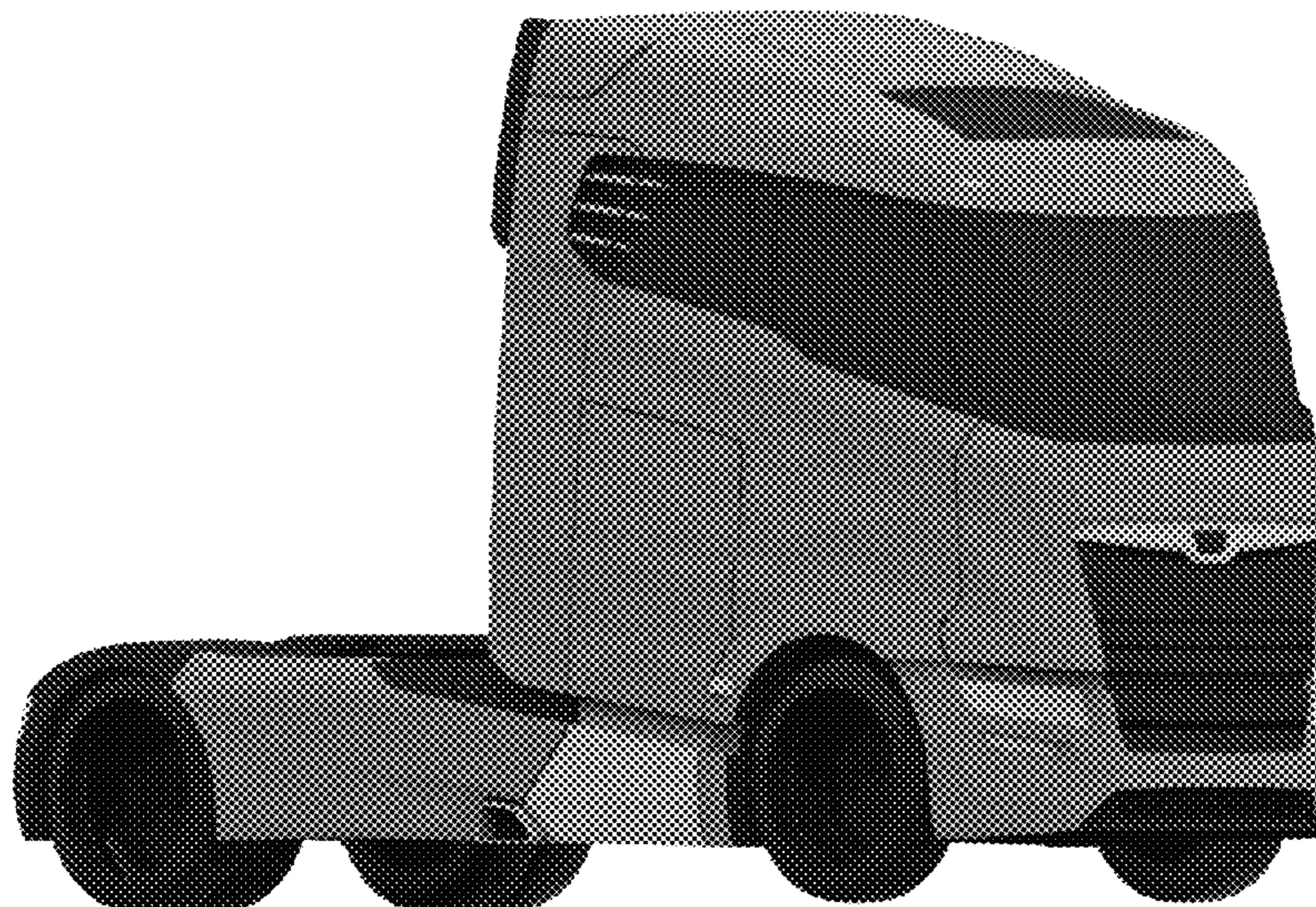
(57) **CLAIM**

The ornamental design for a motor truck, as shown and described.

**DESCRIPTION**

1. Motor truck  
1.1 is a front elevation view of a motor truck embodying my new design;  
1.2 is a rear elevation view thereof;  
1.3 is a right side elevation view thereof;  
1.4 is a left side elevation view thereof;  
1.5 is a top plan view thereof;  
1.6 is a bottom plan view thereof;  
1.7 is a top and rear perspective view thereof;  
1.8 is a front and right side perspective view thereof;  
1.9 is a rear and left side perspective view thereof; and  
1.10 is a top and front perspective view thereof.

**1 Claim, 10 Drawing Sheets**



(56)

**References Cited**

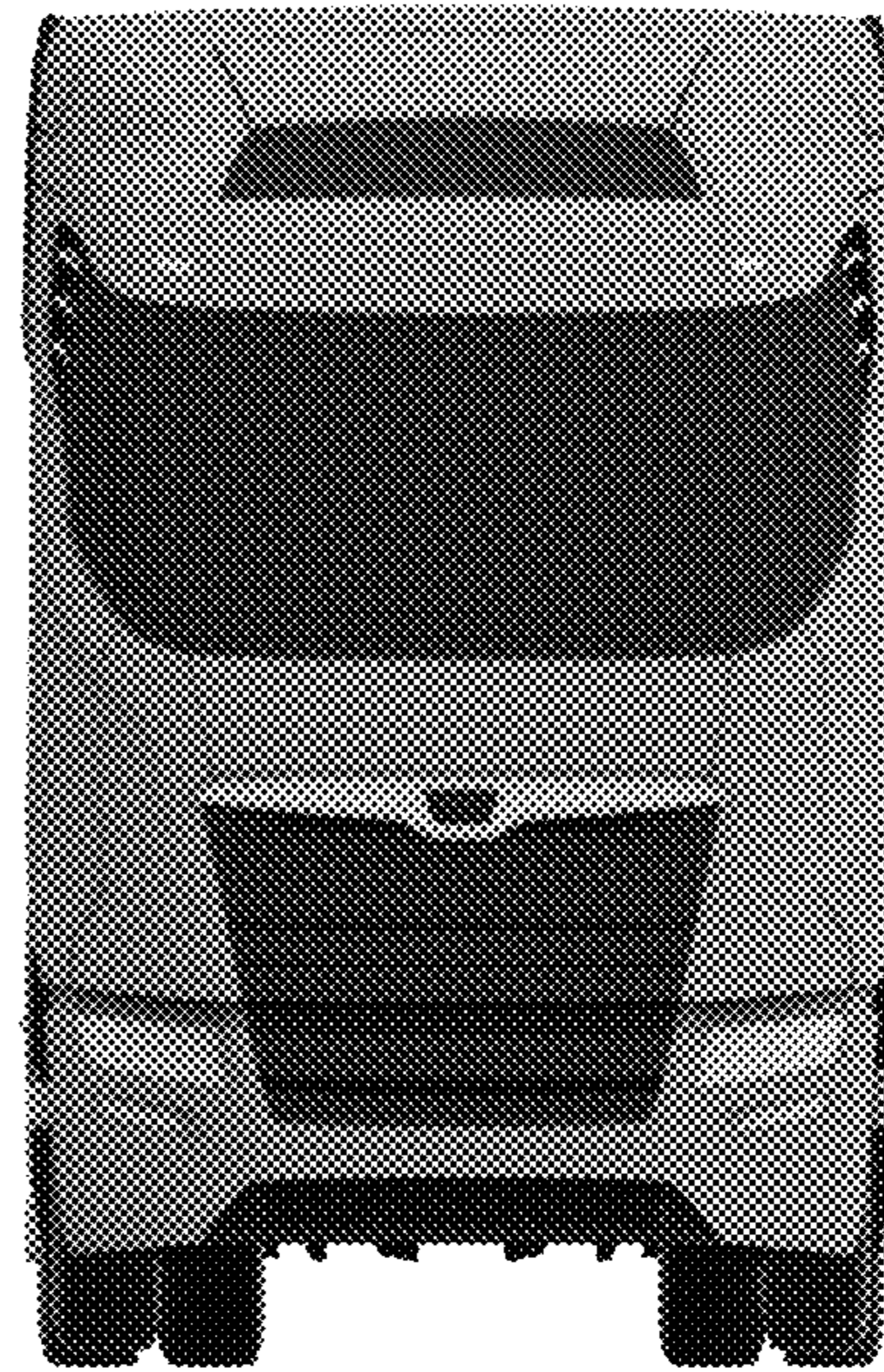
OTHER PUBLICATIONS

Rohail Saleem. "Hyzon Motors Is Ready To Exploit Its First-Mover Advantage . . ." WCCF Tech., May 18, 2021 [online], [retrieved on Sep. 1, 2021]. Retrieved from the Internet <URL: <https://wccftech.com/hyzon-motors-is-ready-to-exploit-its-first-mover-advantage-by-launching-hydrogen-fuel-cell-powered-co>>.\*

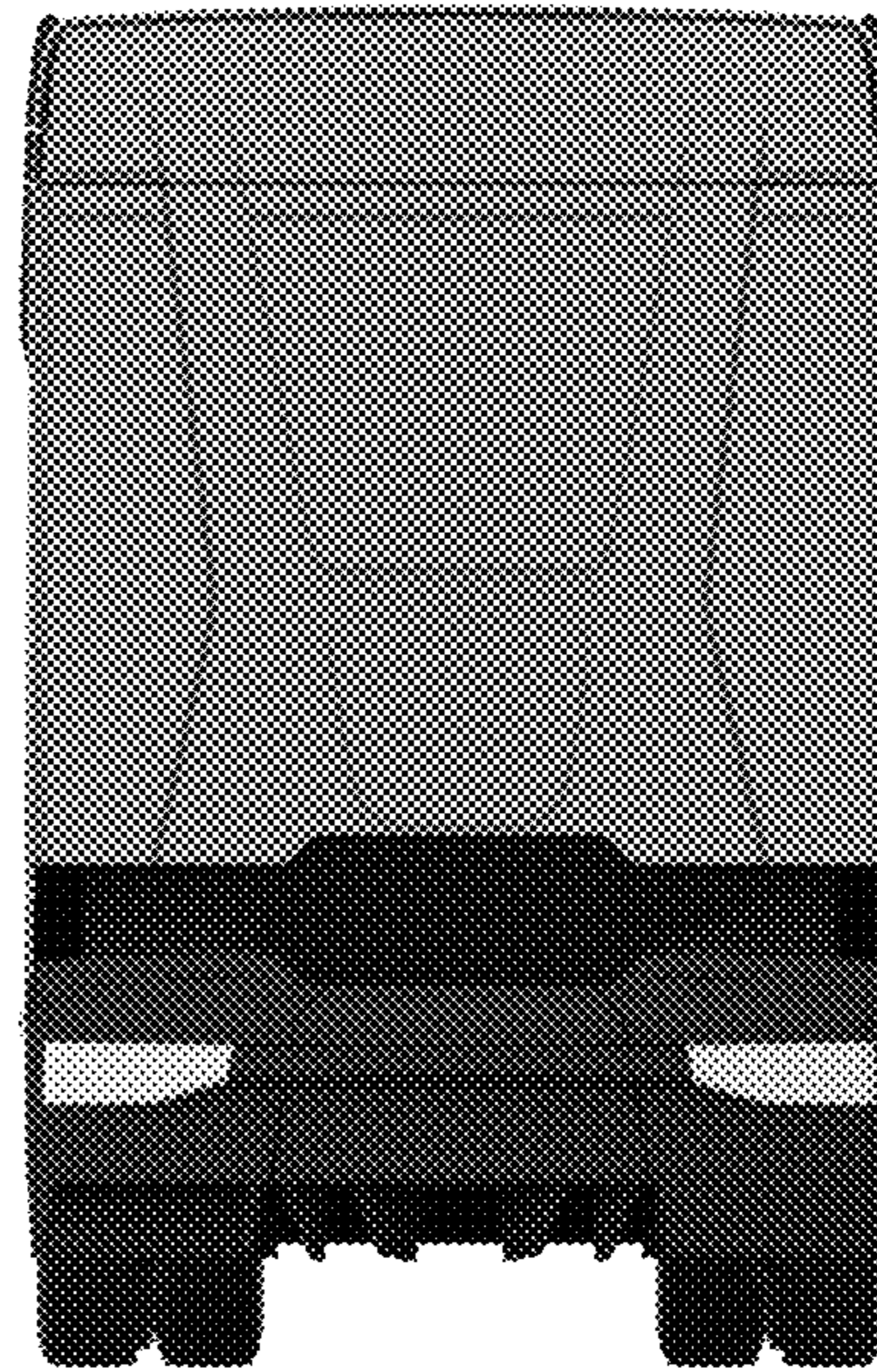
"Top 10 Chinese Heavy-duty Truck Manufacturers." Car Logos., Jul. 1, 2021 [online], [retrieved on Sep. 1, 2021], Retrieved from the Internet <URL: <https://www.carlogos.org/reviews/chinese-heavy-duty-truck-manufacturers.html>>.\*

\* cited by examiner

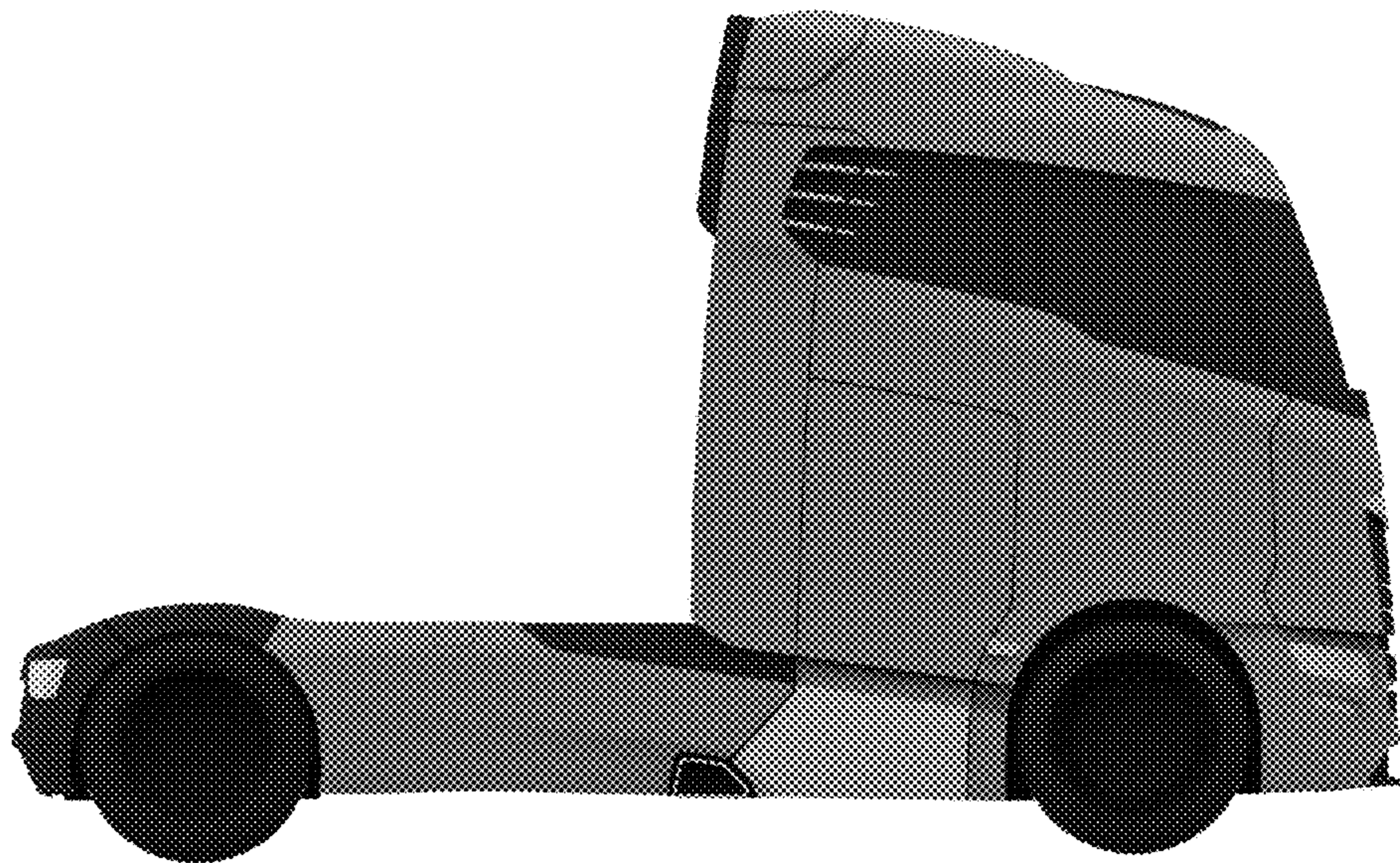
1.1



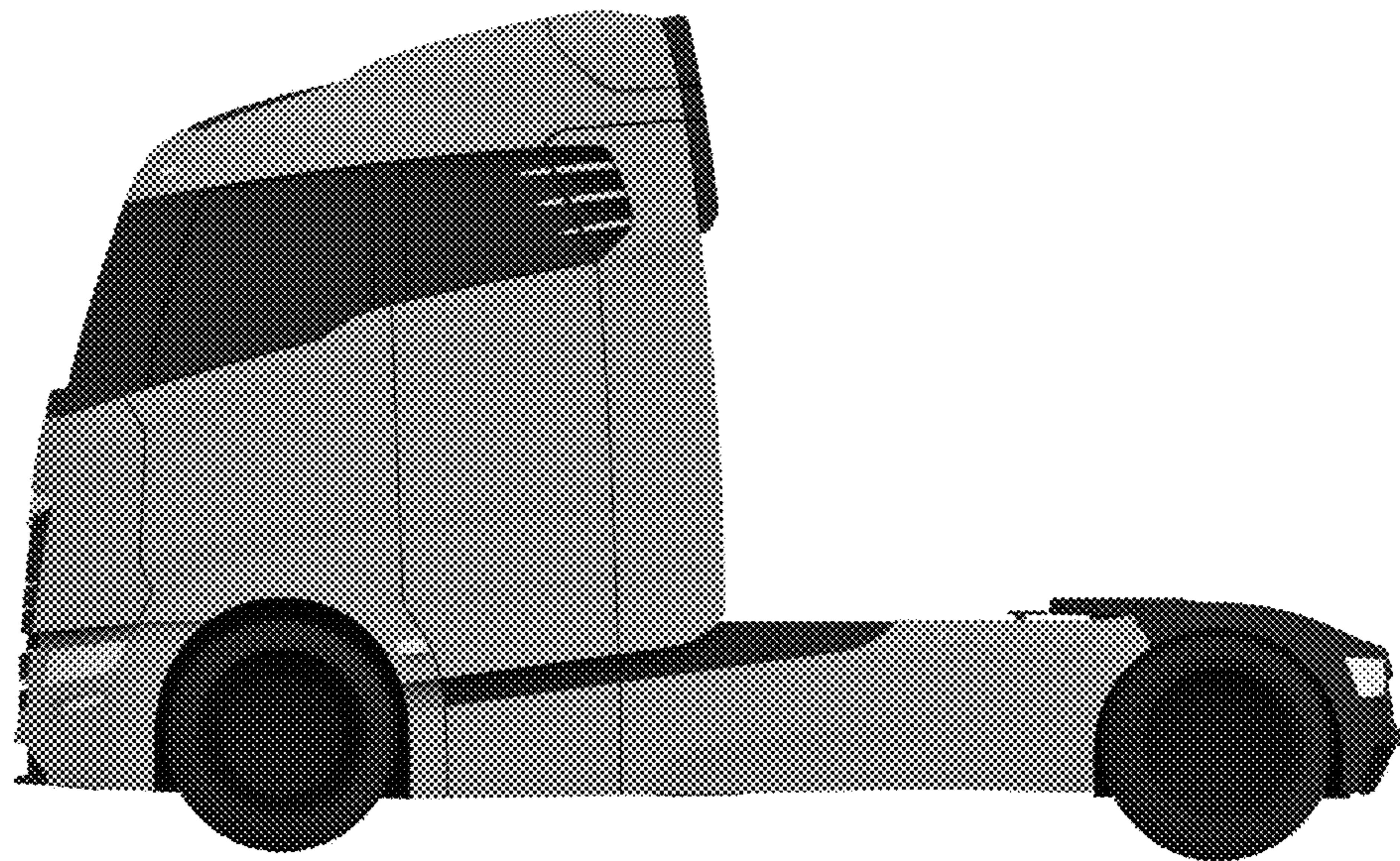
1.2



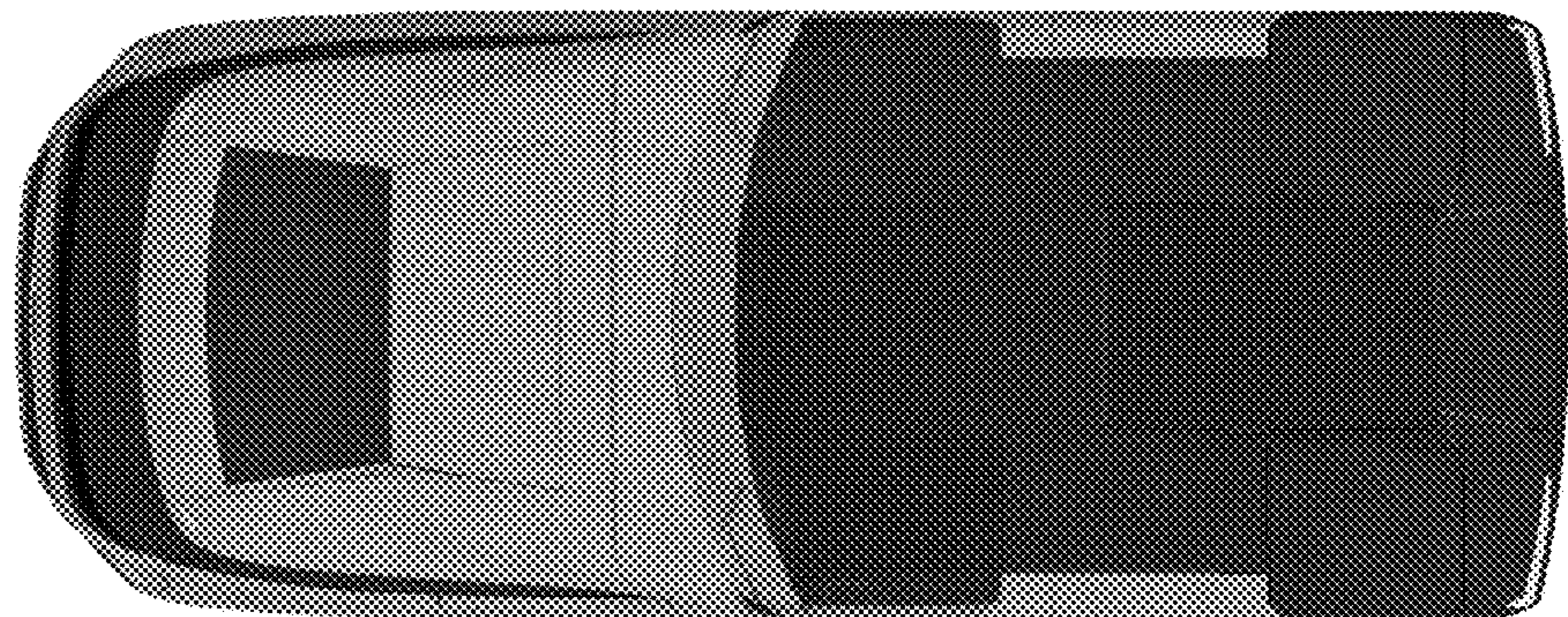
1.3



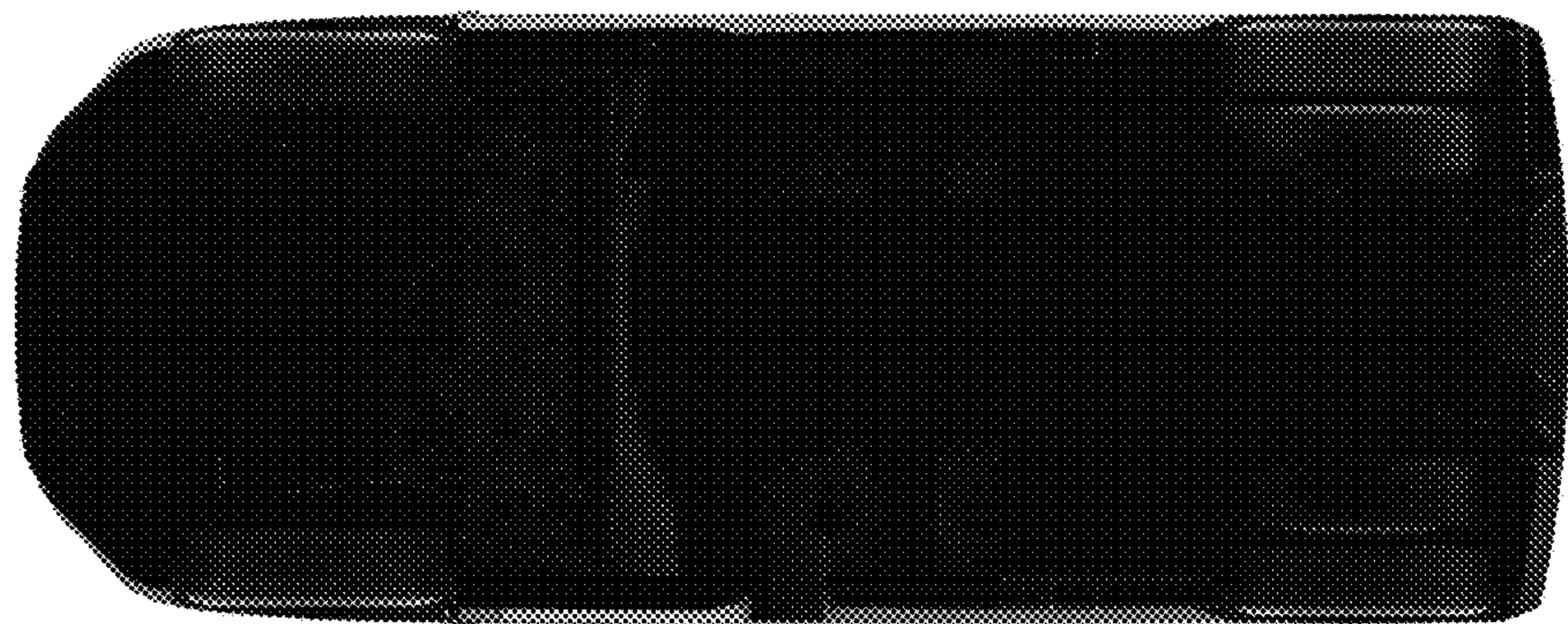
1.4



1.5

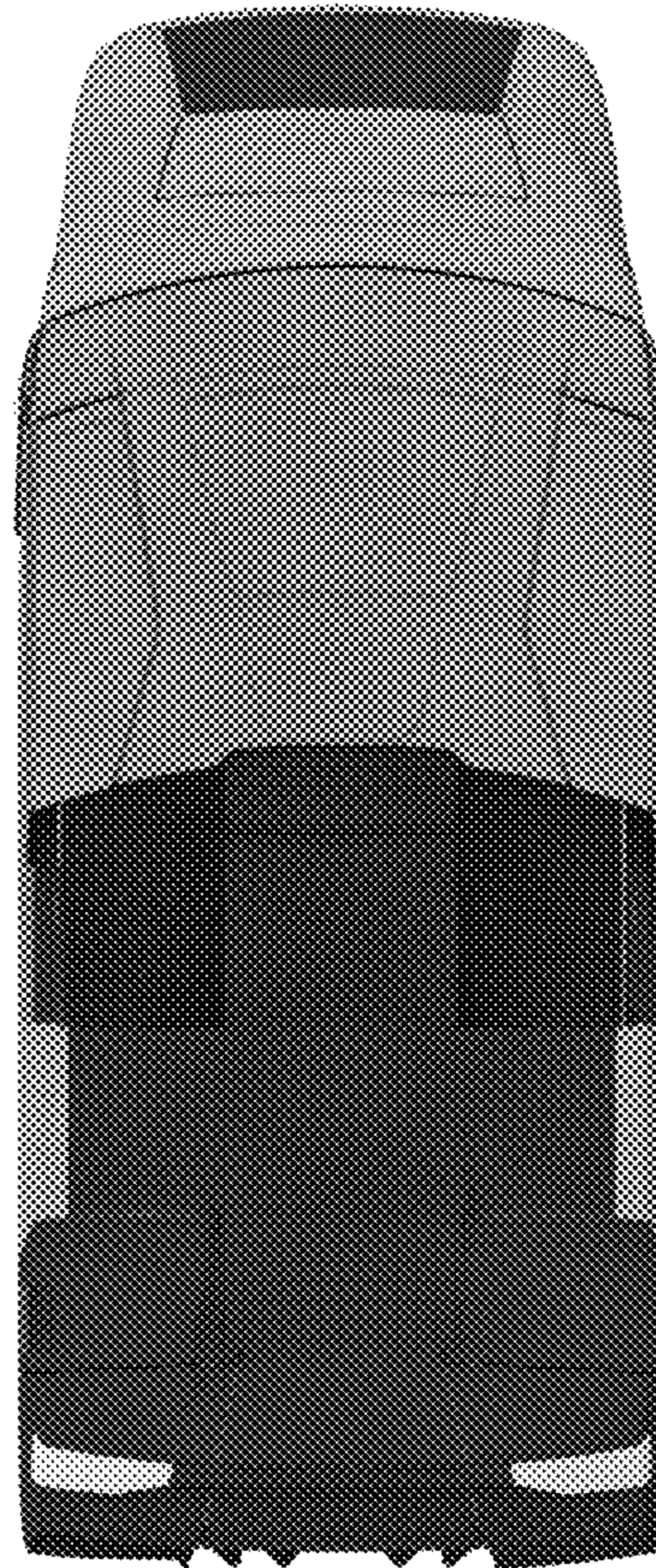


1.6

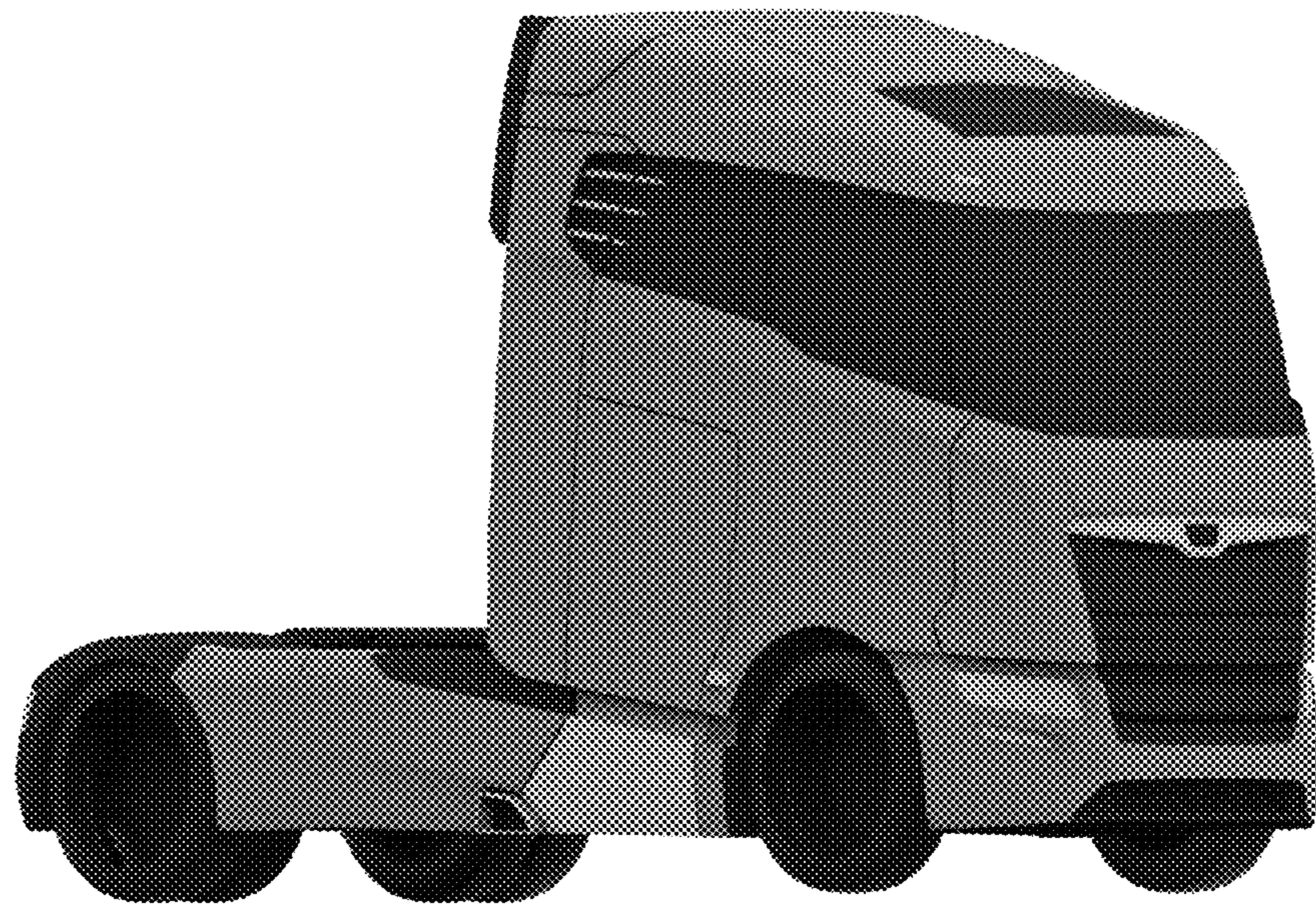




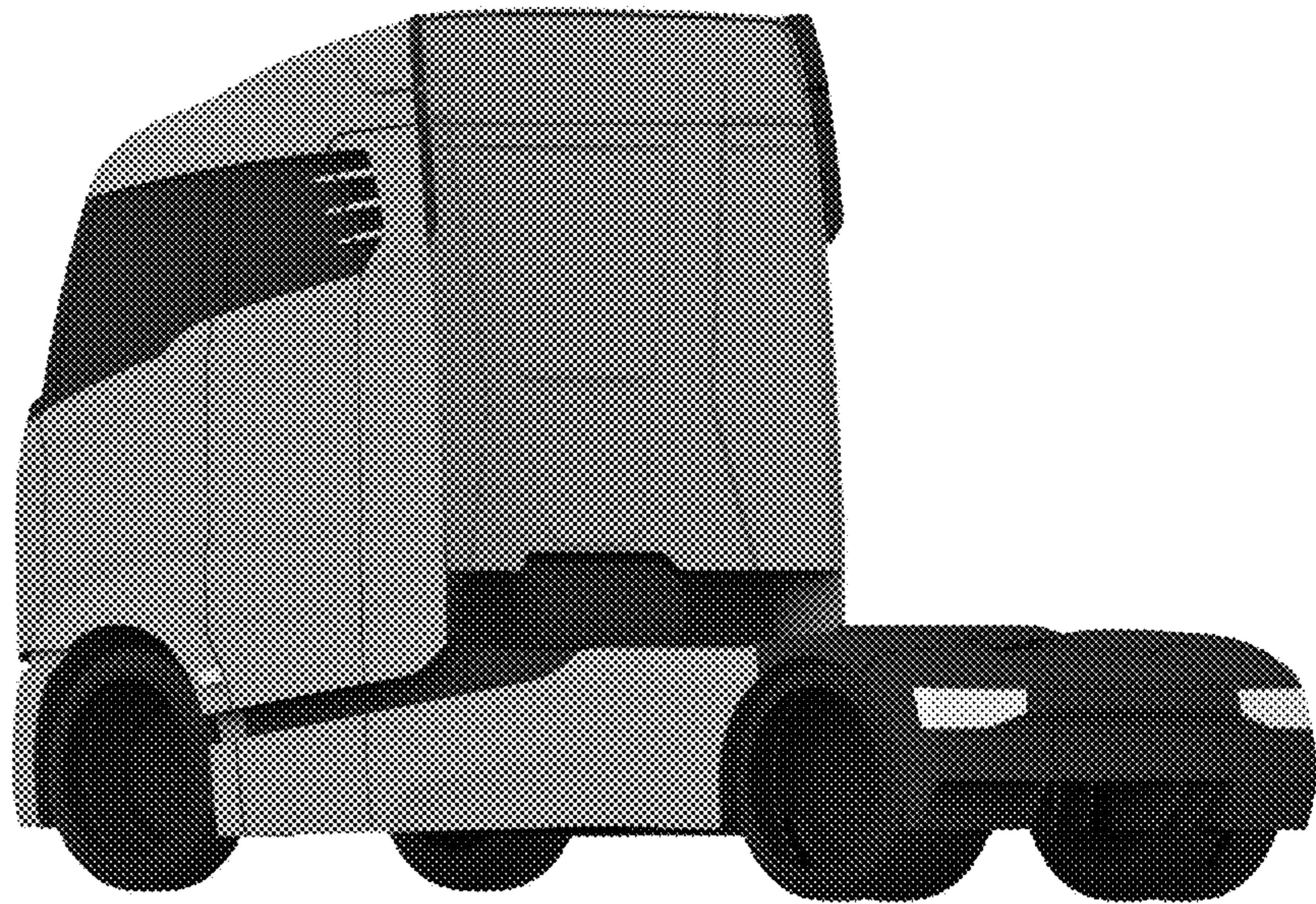
1.7



1.8



1.9



1.10

