



US00D933530S

(12) **United States Design Patent** (10) **Patent No.:** **US D933,530 S**  
**Woodhouse et al.** (45) **Date of Patent:** **\*\* Oct. 19, 2021**

(54) **MOTOR VEHICLE, TOY REPLICA, AND/OR OTHER REPLICA**

(56) **References Cited**

U.S. PATENT DOCUMENTS

- (71) Applicant: **Ford Global Technologies, LLC**, Dearborn, MI (US)
- (72) Inventors: **David Woodhouse**, Troy, MI (US); **Kemal Curic**, Irvine, CA (US); **Xitij Mistry**, Ann Arbor, MI (US); **Gurminder Bhandal**, Ferndale, MI (US); **John C. Caswell**, Grosse Pointe, MI (US)
- (73) Assignee: **Ford Global Technologies, LLC**, Dearborn, MI (US)
- (\*\*) Term: **15 Years**
- (21) Appl. No.: **29/759,504**
- (22) Filed: **Nov. 23, 2020**

D727,210 S *	4/2015	Grake .....	D12/91
D728,424 S *	5/2015	Rupar .....	D12/91
D728,426 S *	5/2015	Di Buduo .....	D12/91
D741,224 S *	10/2015	Rupar .....	D12/91
D741,752 S *	10/2015	Messale .....	D12/91
D743,303 S *	11/2015	Huang .....	D12/91
D746,175 S *	12/2015	Wolff .....	D12/91
D754,563 S *	4/2016	Behmer .....	D12/91
D770,942 S *	11/2016	Woodhouse .....	D12/92
D793,283 S *	8/2017	Woodhouse .....	D12/91
D820,162 S *	6/2018	Woodhouse .....	D12/91
D820,163 S *	6/2018	Woodhouse .....	D12/91
D869,337 S *	12/2019	Woodhouse .....	D12/91
D890,032 S *	7/2020	Woodhouse .....	D12/91
D906,178 S *	12/2020	Woodhouse .....	D12/91
D913,157 S *	3/2021	Woodhouse .....	D12/91

\* cited by examiner

*Primary Examiner* — Melody N Brown

**Related U.S. Application Data**

- (62) Division of application No. 29/716,527, filed on Dec. 10, 2019, now Pat. No. Des. 906,178, which is a division of application No. 29/641,676, filed on Mar. 23, 2018, now Pat. No. Des. 869,337.
- (51) **LOC (13) Cl.** ..... **12-08**
- (52) **U.S. Cl.**  
USPC ..... **D12/91**
- (58) **Field of Classification Search**  
USPC ..... D12/86, 90-92, 88, 164; D21/424, 433, D21/434; 296/181.1-181.5, 183.1  
CPC ..... B62D 25/00; B62D 25/06; B62D 33/00; B62D 35/00  
See application file for complete search history.

(57) **CLAIM**

The ornamental design for a motor vehicle, toy replica, and/or other replica, as shown and described.

**DESCRIPTION**

FIG. 1 is a front elevational view of a motor vehicle, toy replica and/or other replica showing our new design; FIG. 2 is a rear elevational view thereof; FIG. 3 is a left side elevational view thereof; FIG. 4 is a right side elevational view thereof; FIG. 5 is a top plan view thereof; FIG. 6 top, front, and left side perspective view thereof; and, FIG. 7 is a top, rear, and left side perspective view thereof.

**1 Claim, 7 Drawing Sheets**





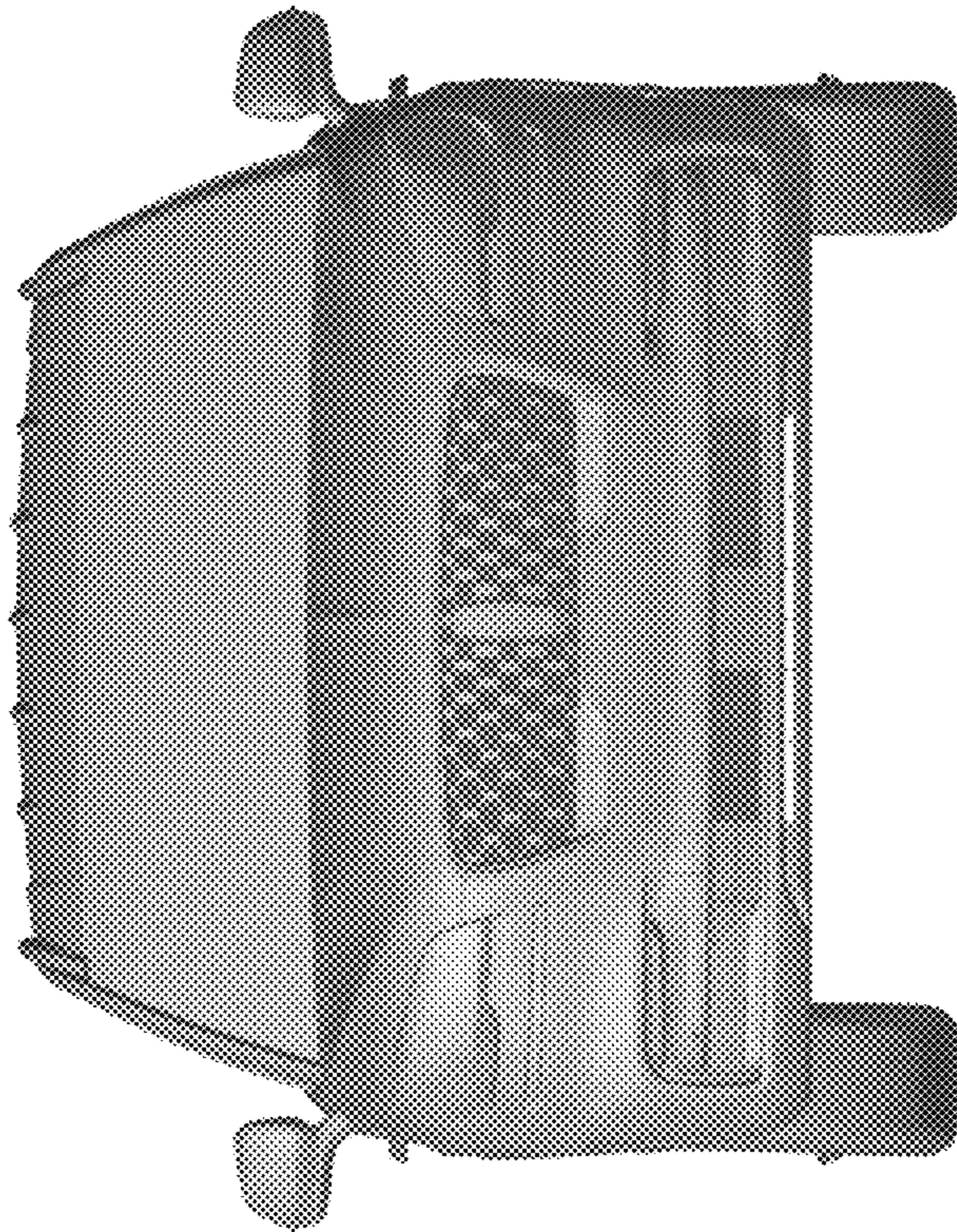


Fig. 1

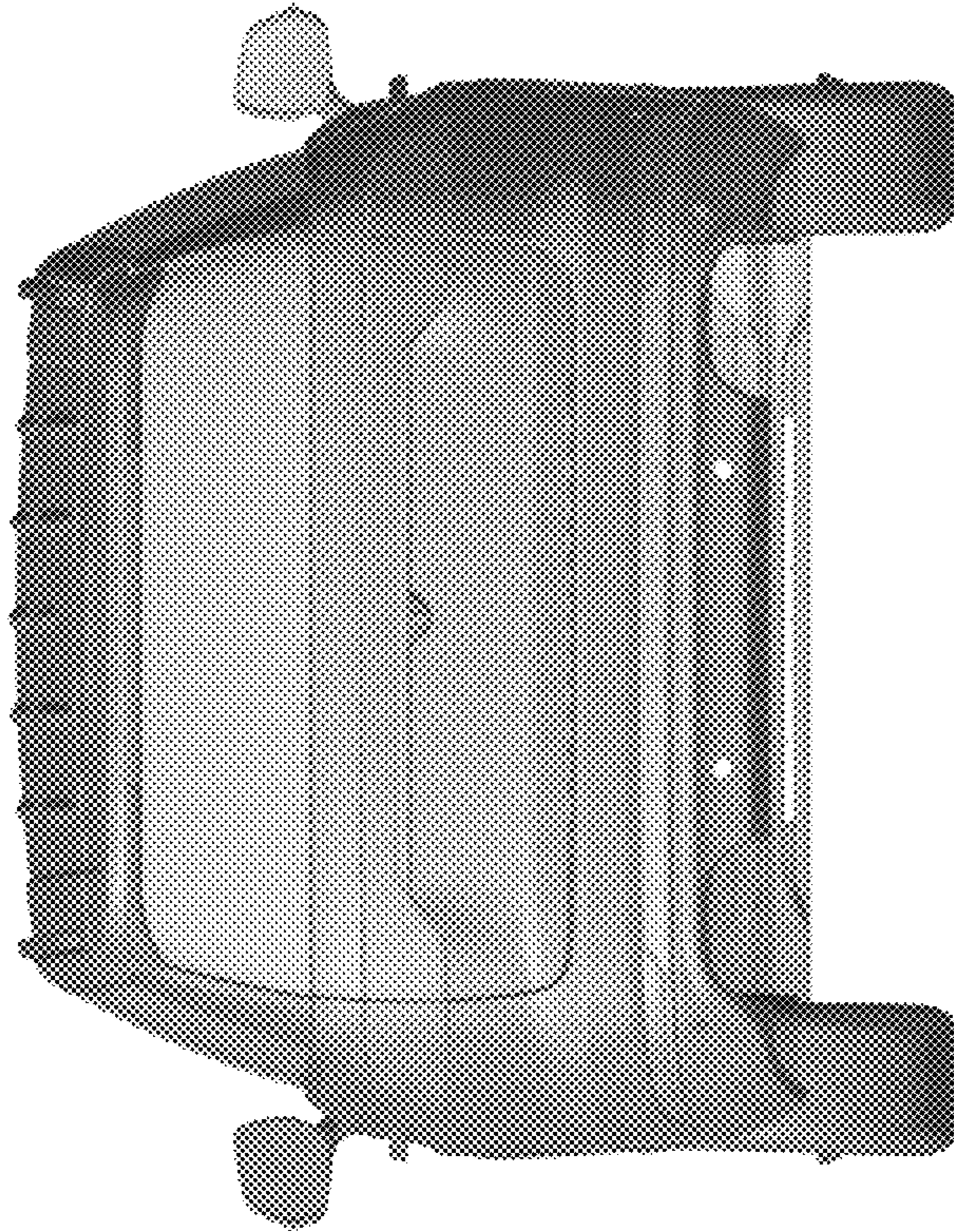


Fig. 2



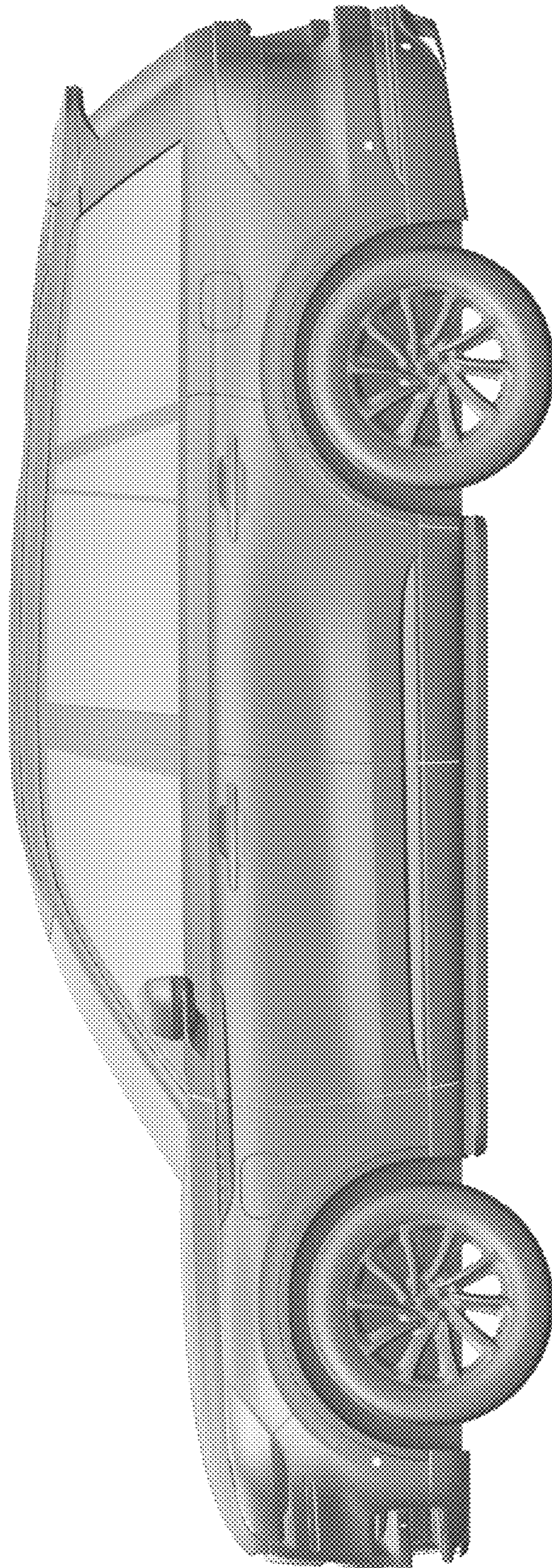


Fig. 3





Fig. 4





Fig. 5





Fig. 6



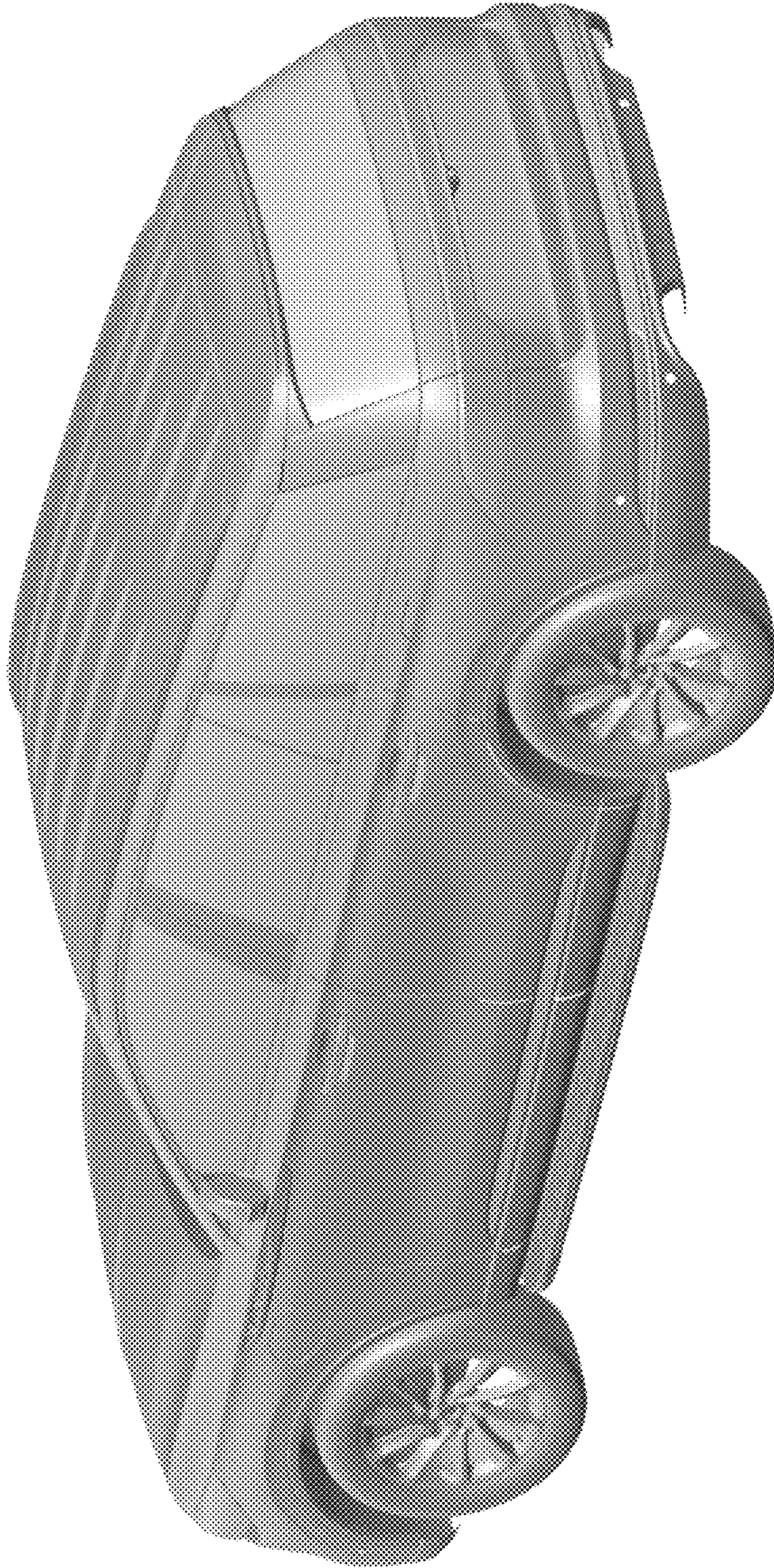


Fig. 7