



US00D933529S

(12) **United States Design Patent** (10) **Patent No.:** **US D933,529 S**
Woodhouse et al. (45) **Date of Patent:** **** Oct. 19, 2021**

(54) **MOTOR VEHICLE, TOY REPLICA, AND/OR OTHER REPLICA**

(56) **References Cited**

(71) Applicant: **Ford Global Technologies, LLC**,
Dearborn, MI (US)
(72) Inventors: **David Woodhouse**, Troy, MI (US);
Kemal Curic, Irvine, CA (US); **Xitij Mistry**,
Ann Arbor, MI (US); **Gurminder Bhandal**,
Ferndale, MI (US); **John C. Caswell**, Grosse Pointe,
MI (US)
(73) Assignee: **Ford Global Technologies, LLC**,
Dearborn, MI (US)
(**) Term: **15 Years**

U.S. PATENT DOCUMENTS

D727,210 S *	4/2015	Grake	D12/91
D728,424 S *	5/2015	Rupar	D12/91
D728,426 S *	5/2015	Di Buduo	D12/91
D741,224 S *	10/2015	Rupar	D12/91
D741,752 S *	10/2015	Messale	D12/91
D743,303 S *	11/2015	Huang	D12/91
D746,175 S *	12/2015	Wolff	D12/91
D754,563 S *	4/2016	Behmer	D12/91
D770,942 S *	11/2016	Woodhouse	D12/92
D793,283 S *	8/2017	Woodhouse	D12/91
D820,162 S *	6/2018	Woodhouse	D12/91
D820,163 S *	6/2018	Woodhouse	D12/91
D869,337 S *	12/2019	Woodhouse	D12/91
D890,032 S *	7/2020	Woodhouse	D12/91
D906,178 S *	12/2020	Woodhouse	D12/91
D913,157 S *	3/2021	Woodhouse	D12/91

* cited by examiner

Primary Examiner — Melody N Brown

(21) Appl. No.: **29/759,499**
(22) Filed: **Nov. 23, 2020**

(57) **CLAIM**

The ornamental design for a motor vehicle, toy replica, and/or other replica, as shown and described.

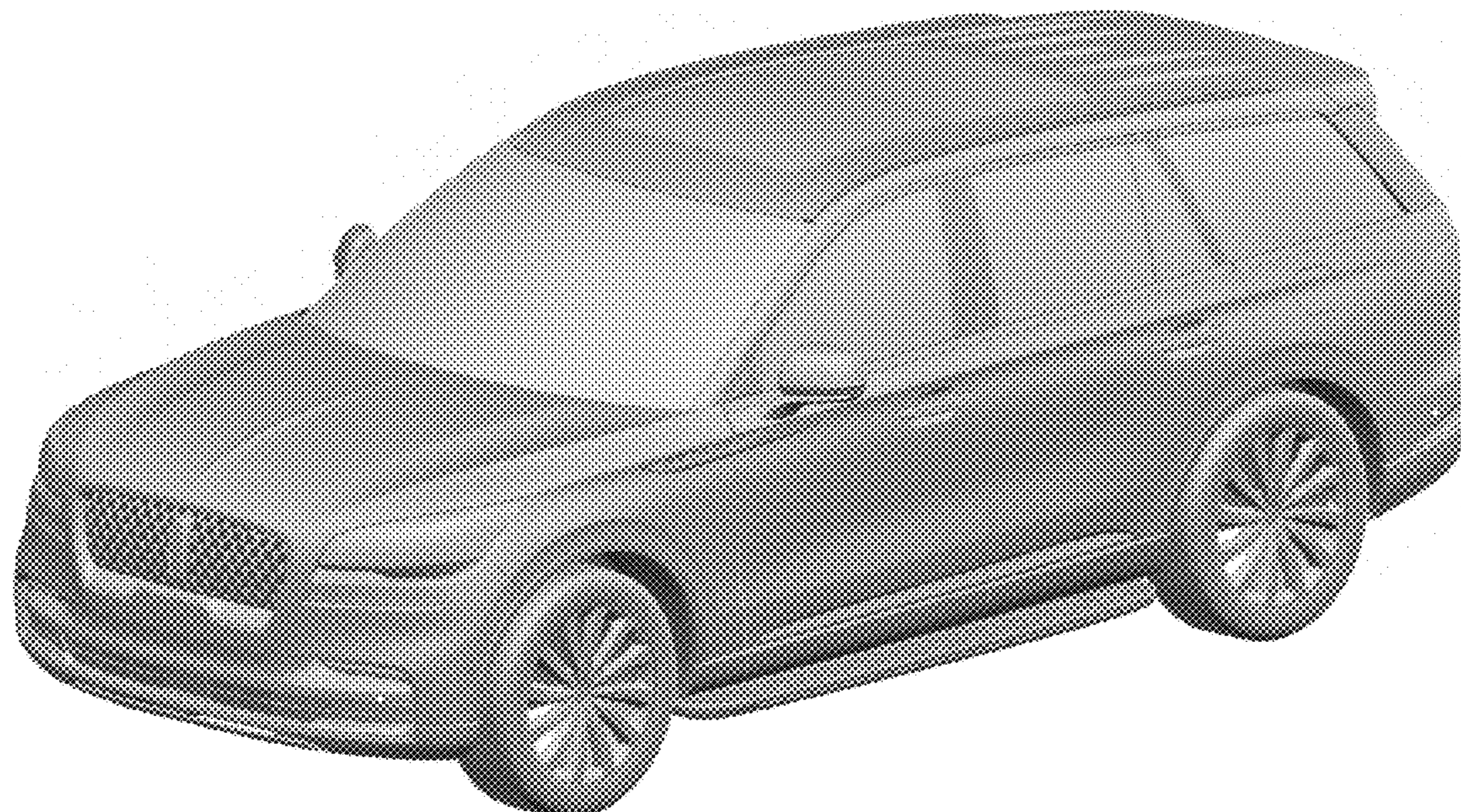
Related U.S. Application Data

(62) Division of application No. 29/716,527, filed on Dec. 10, 2019, now Pat. No. Des. 906,178, which is a division of application No. 29/641,676, filed on Mar. 23, 2018, now Pat. No. Des. 869,337.
(51) **LOC (13) Cl.** **12-08**
(52) **U.S. Cl.**
USPC **D12/91**
(58) **Field of Classification Search**
USPC D12/86, 90-92, 88, 164; D21/424, 433, D21/434; 296/181.1-181.5, 183.1
CPC B62D 25/00; B62D 25/06; B62D 33/00; B62D 35/00
See application file for complete search history.

DESCRIPTION

This application is a divisional of U.S. patent application Ser. No. 29/906,178 filed Dec. 10, 2019, now U.S. Design Pat. No. D716,527.
FIG. 1 is a front elevational view of a motor vehicle, toy replica and/or other replica showing our new design;
FIG. 2 is a rear elevational view thereof;
FIG. 3 is a left side elevational view thereof;
FIG. 4 is a right side elevational view thereof;
FIG. 5 is a top plan view thereof;
FIG. 6 top, front, and left side perspective view thereof; and,
FIG. 7 is a top, rear, and left side perspective view thereof.

1 Claim, 7 Drawing Sheets



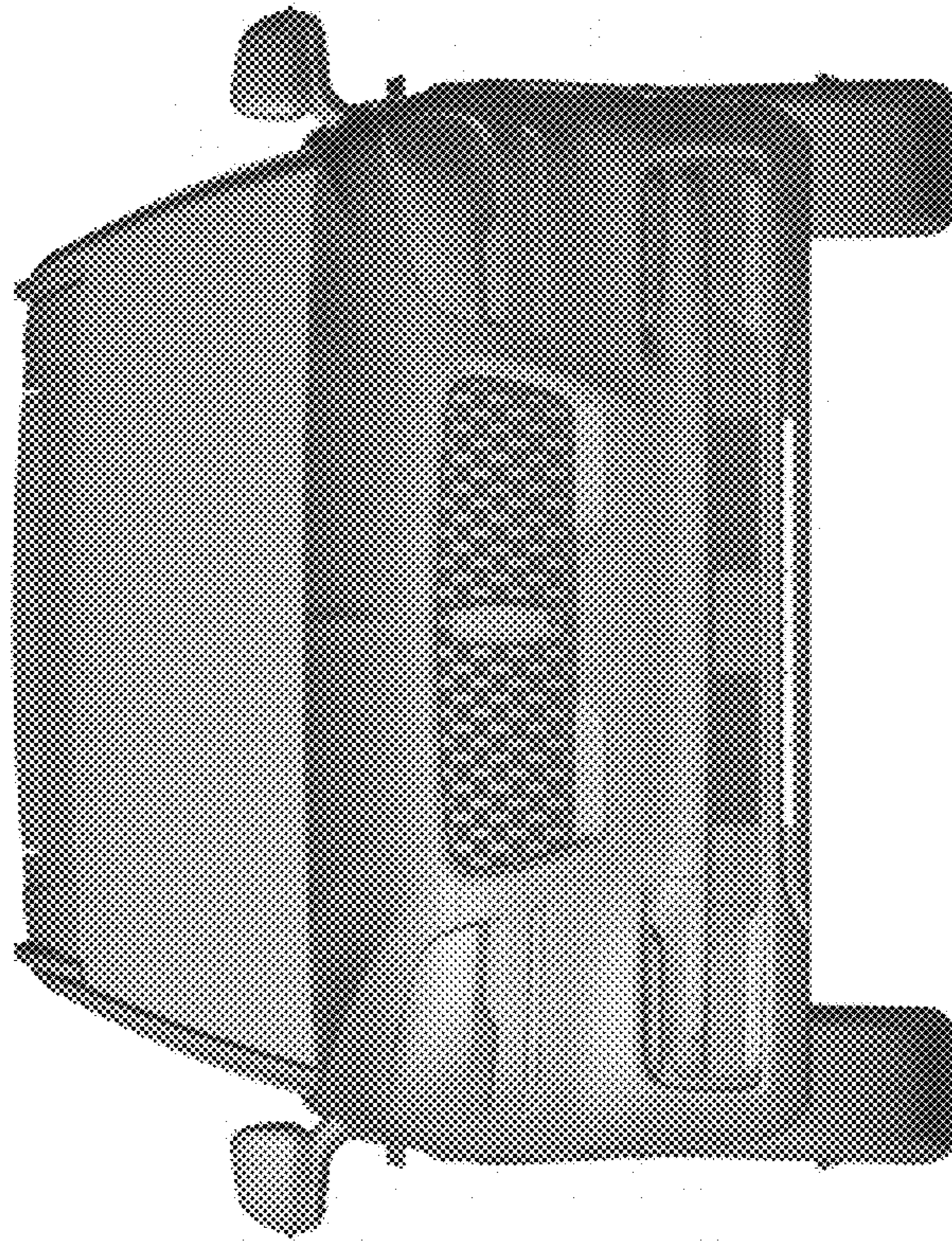


Fig. 1

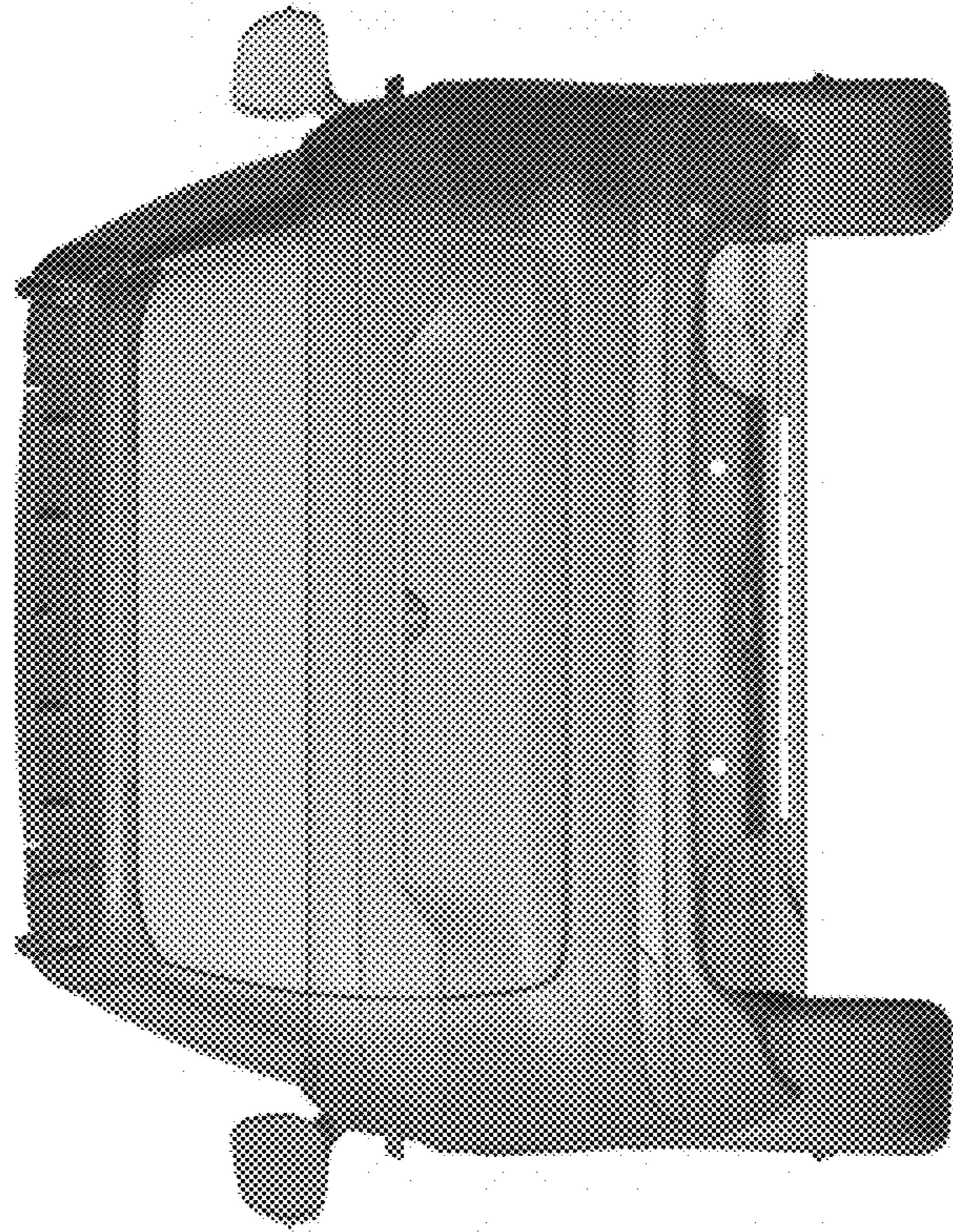


Fig. 2



Fig. 3



Fig. 4



Fig. 5



Fig. 6

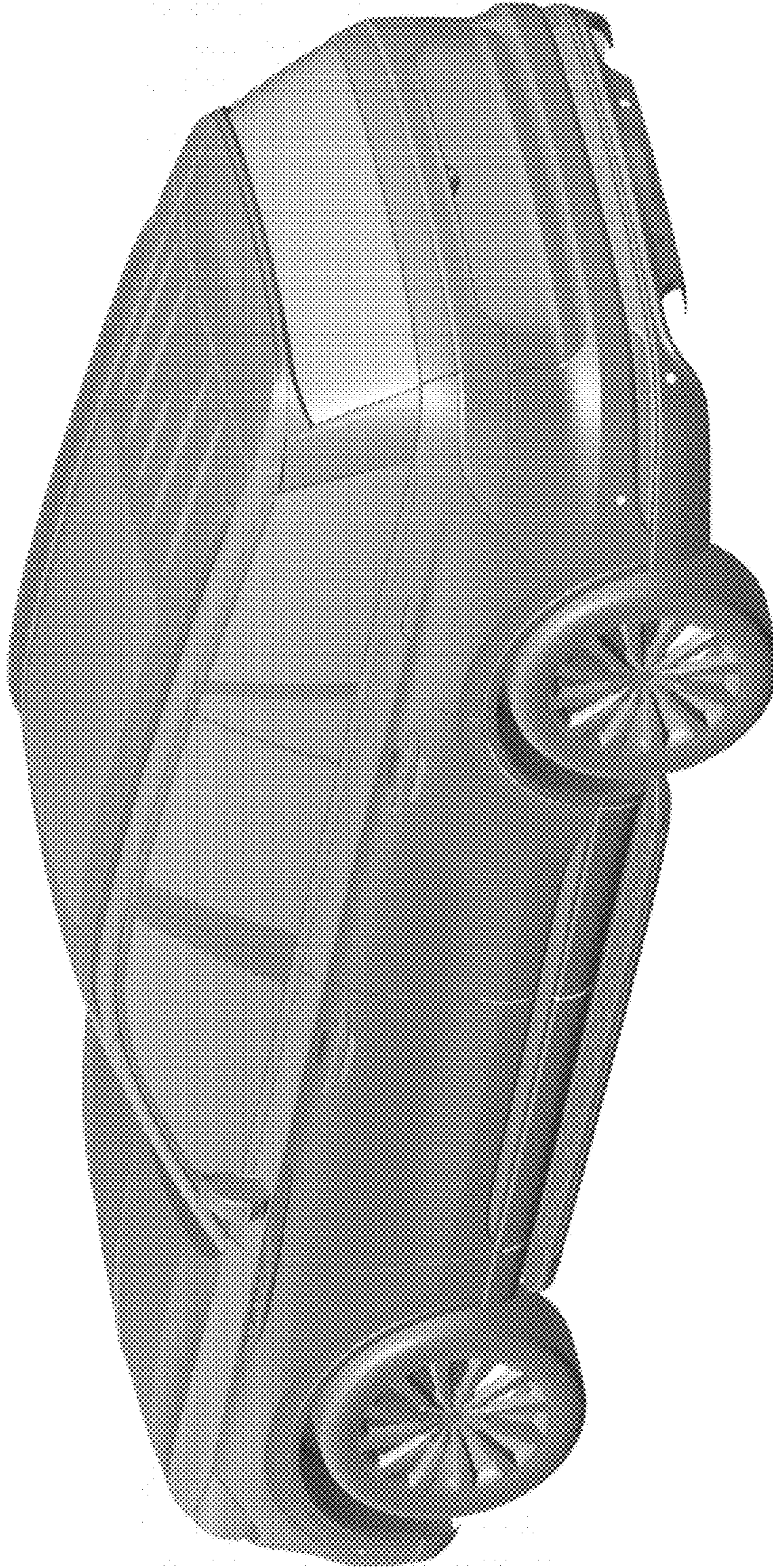


Fig. 7