



US00D933528S

(12) **United States Design Patent** (10) **Patent No.:** **US D933,528 S**  
**Wiberg** (45) **Date of Patent:** **\*\* Oct. 19, 2021**

(54) **AIRCRAFT**  
(71) Applicant: **Katla Aero AB**, Solna (SE)  
(72) Inventor: **Gustav Wiberg**, Stockholm (SE)  
(73) Assignee: **Katla Aero AB**, Solna (SE)  
(\*\*) Term: **15 Years**  
(21) Appl. No.: **29/710,583**  
(22) Filed: **Oct. 24, 2019**

2006/0144991 A1\* 7/2006 Frediani ..... B64C 39/068  
244/45 R  
2020/0223542 A1\* 7/2020 Moore ..... B64C 27/82  
2020/0354049 A1\* 11/2020 Noppel ..... B64D 31/04

**OTHER PUBLICATIONS**

Katla Drone [Nov. 17, 2020] found online [Nov. 17, 2020]—<https://katla.aero/en/products/>.  
Avion Drone [Nov. 17, 2020] found online [Nov. 17, 2020]—<https://www.pinterest.com/pin/501447739744321152/>.  
SDU Eagles drone [Nov. 17, 2020] found online [Nov. 17, 2020] [https://www.sdu.dk/en/om\\_sdu/institutter\\_centre/iti/faciliteter/compositlab/projects/sdueagles](https://www.sdu.dk/en/om_sdu/institutter_centre/iti/faciliteter/compositlab/projects/sdueagles).

\* cited by examiner

(30) **Foreign Application Priority Data**

Apr. 30, 2019 (EM) ..... 006407292

(51) **LOC (13) Cl.** ..... **12-07**

(52) **U.S. Cl.**  
USPC ..... **D12/16.1**

(58) **Field of Classification Search**  
USPC ..... D12/1, 2, 3, 4, 16.1, 174, 319–345;  
D21/436–455; D13/109  
CPC ..... B64C 29/0033; B64C 2201/021; B64C  
29/02; B64C 2201/088; B64C 2201/104;  
B64C 2201/141

See application file for complete search history.

*Primary Examiner* — John A Voytek

(74) *Attorney, Agent, or Firm* — Knobbe Martens Olson & Bear LLP

(57) **CLAIM**

The ornamental design for an aircraft, as shown and described.

**DESCRIPTION**

FIG. 1 is front perspective view of an aircraft, showing my new design;  
FIG. 2 is a front elevational view thereof;  
FIG. 3 is a rear elevational view thereof;  
FIG. 4 is a right side elevational view thereof;  
FIG. 5 is a left right side elevational view thereof;  
FIG. 6 is a top plan view thereof; and,  
FIG. 7 is a bottom plan view thereof.  
The broken lines in the views indicate subject matter that forms no part of the claimed design.

**1 Claim, 7 Drawing Sheets**

(56) **References Cited**

**U.S. PATENT DOCUMENTS**

D304,821 S \* 11/1989 Ratony ..... D12/331  
D724,001 S \* 3/2015 Garreau ..... D12/331  
D817,812 S \* 5/2018 Whitten, Jr. .... D12/16.1  
D843,920 S \* 3/2019 Hernadi ..... D12/345  
D891,355 S \* 7/2020 Hong ..... D12/345

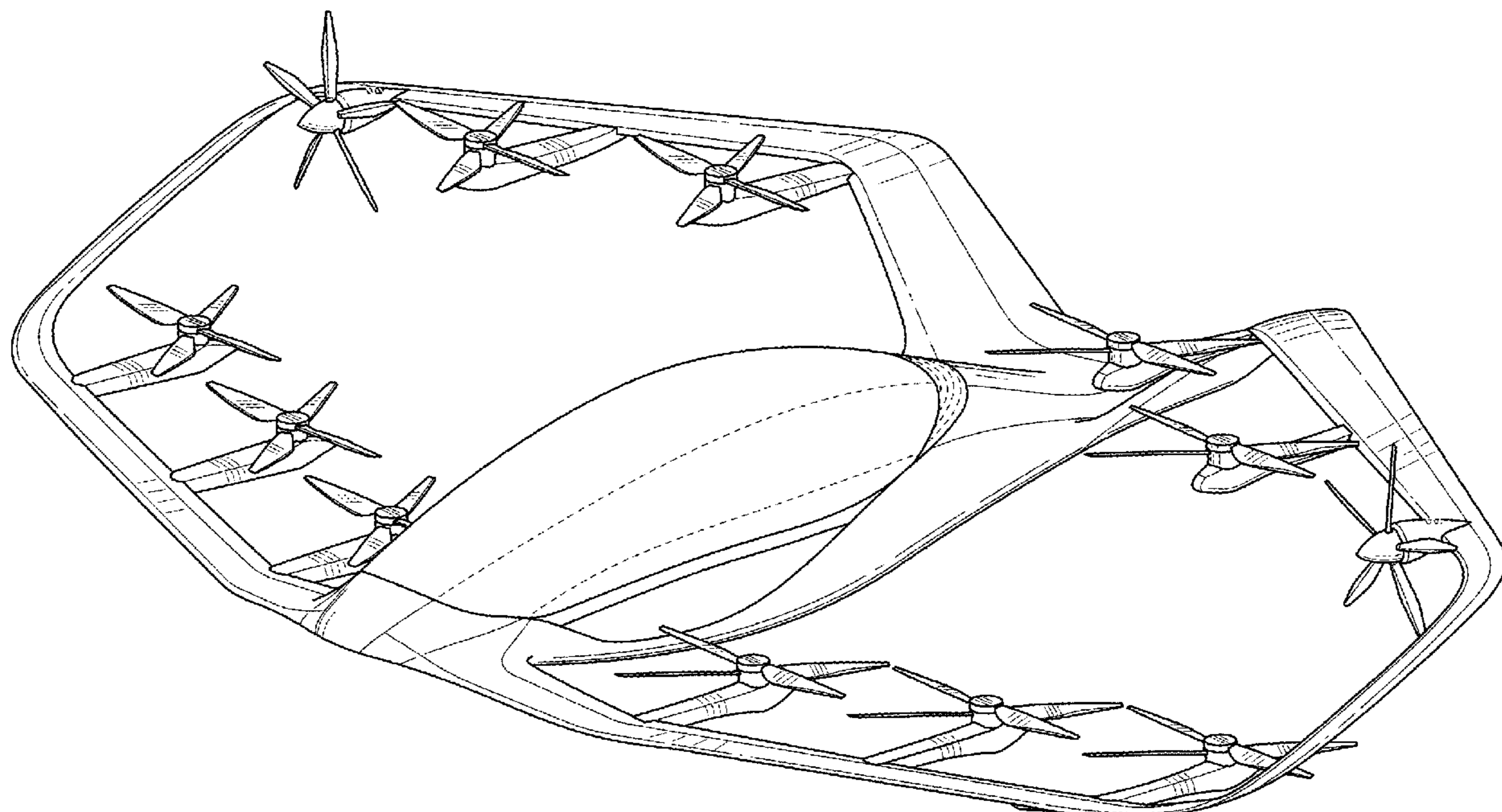




FIG. 1

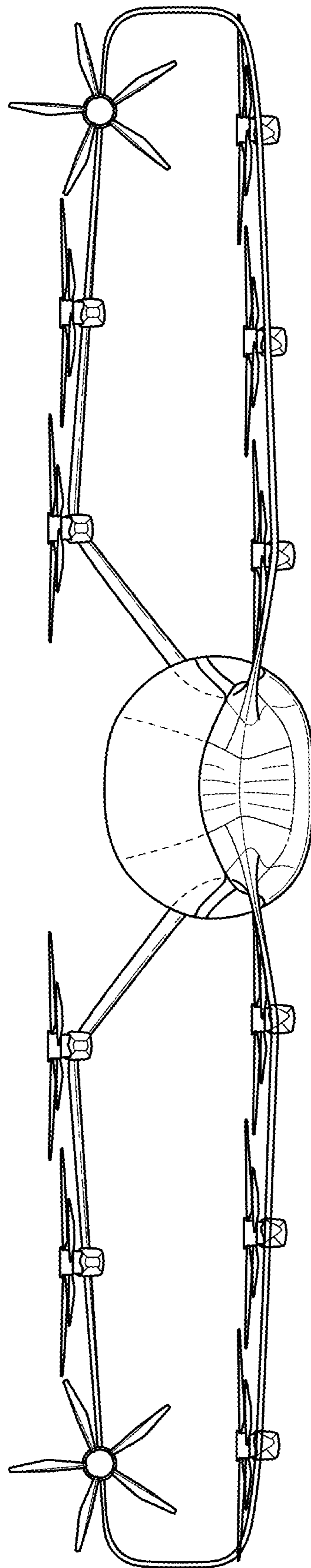


FIG. 2

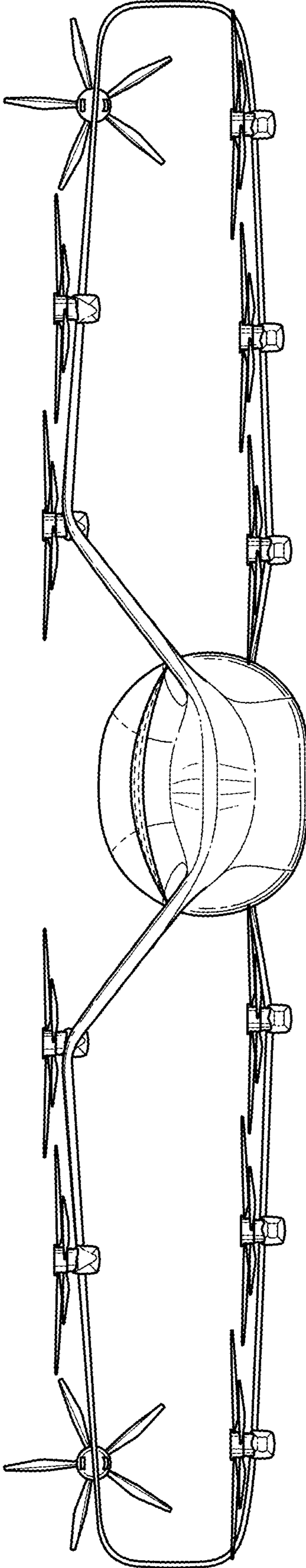


FIG. 3

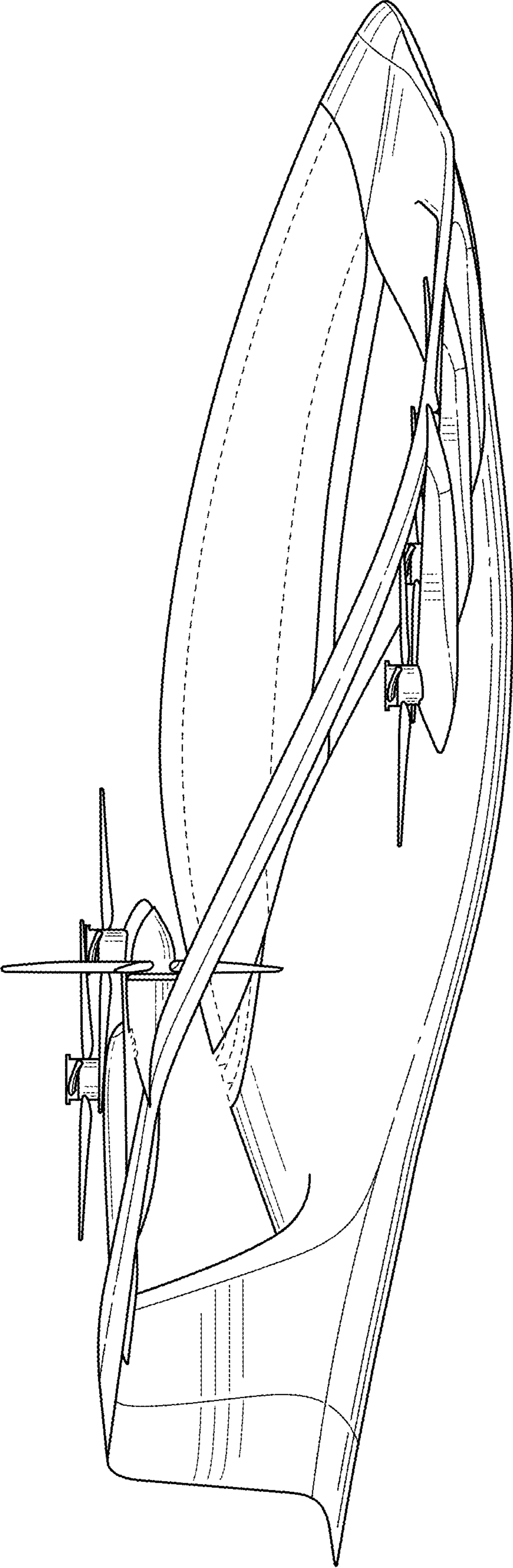


FIG. 4

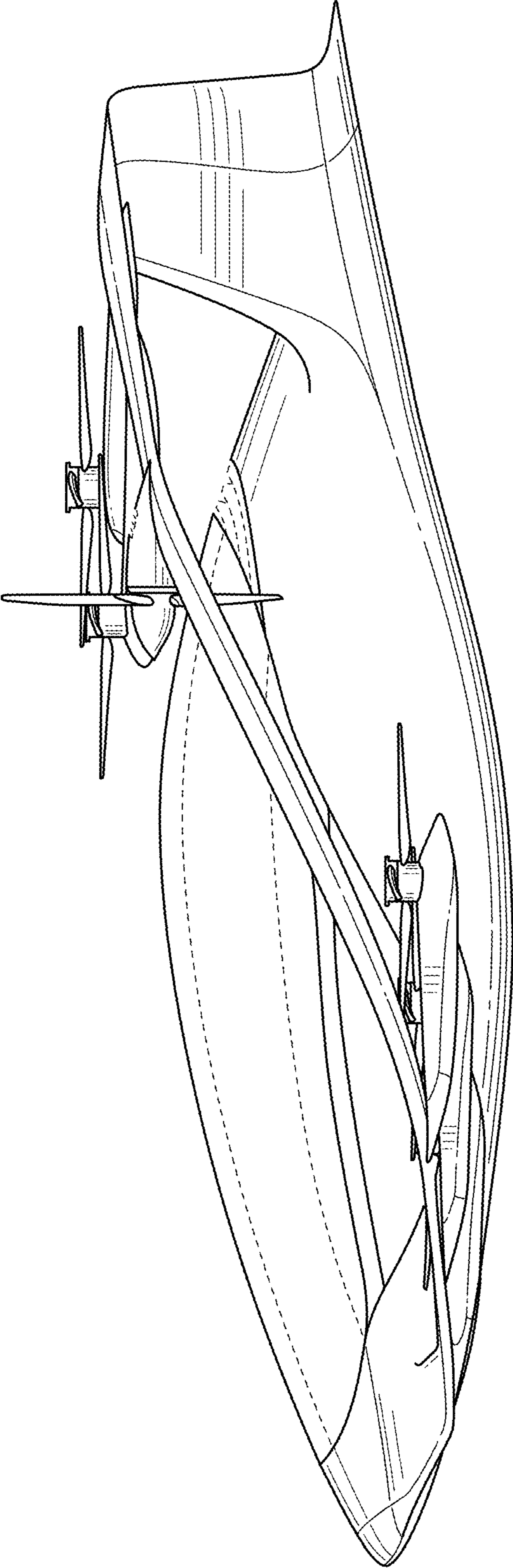


FIG. 5

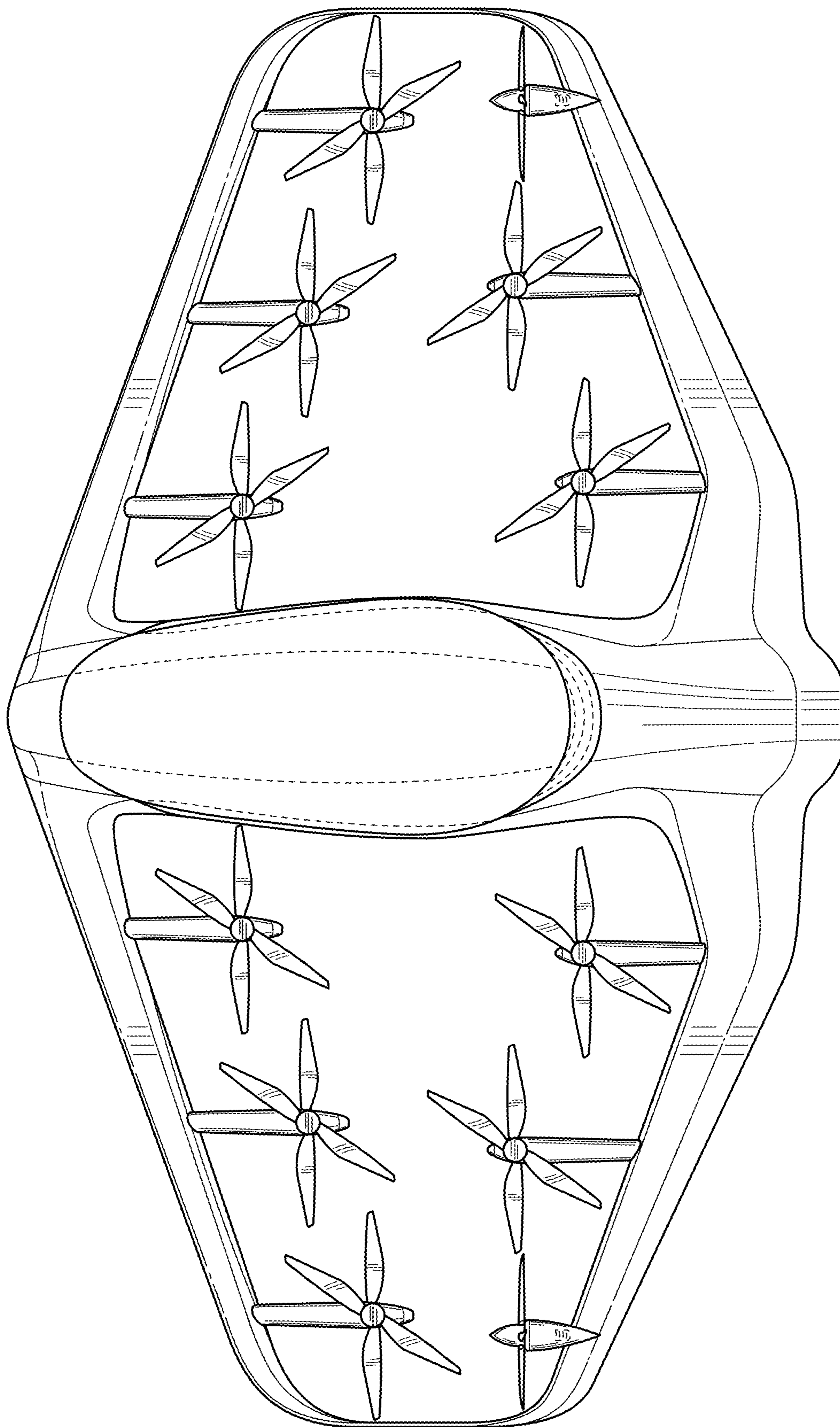


FIG. 6

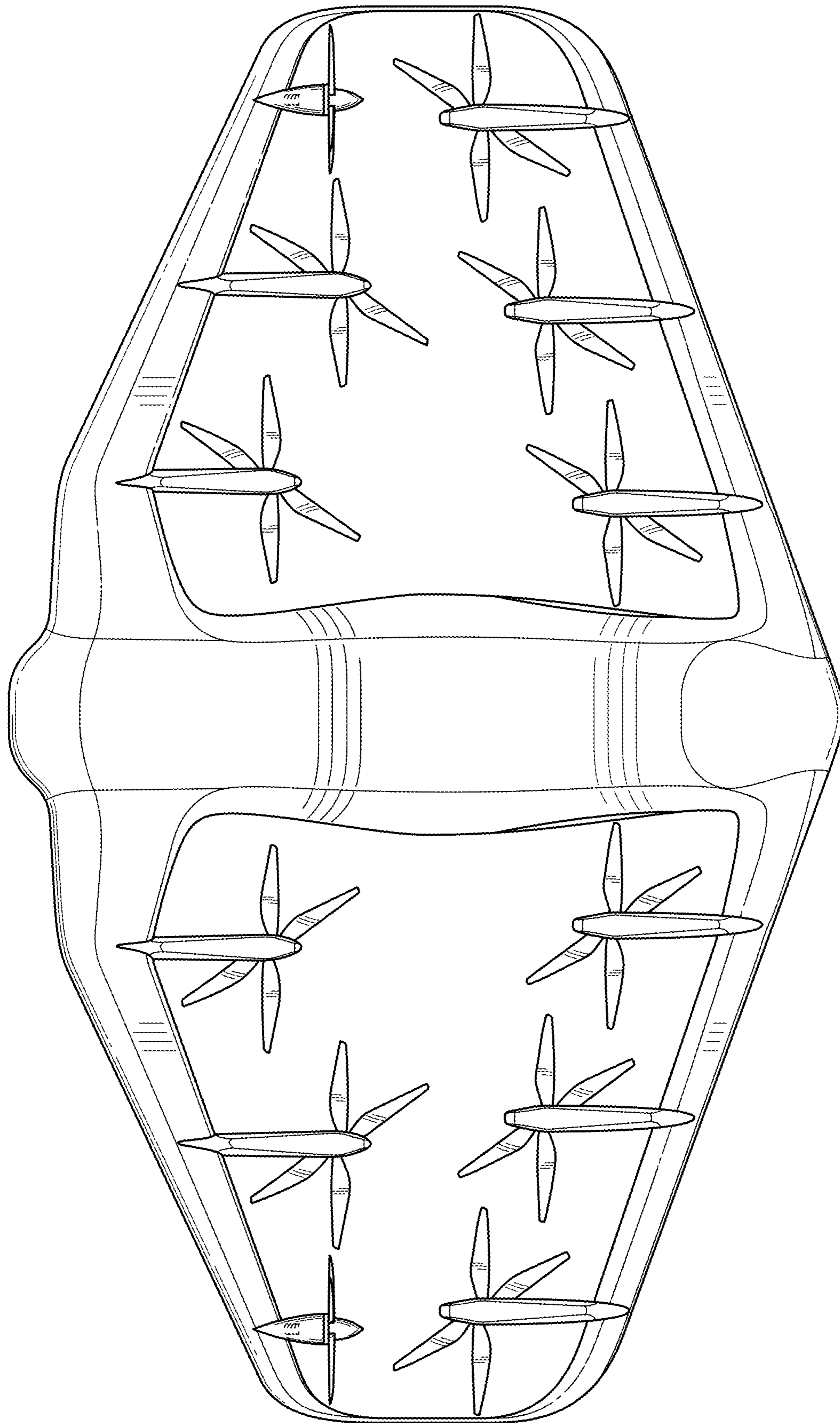


FIG. 7