



US00D933523S

(12) **United States Design Patent** (10) **Patent No.:** **US D933,523 S**  
**Montagano** (45) **Date of Patent:** **\*\* Oct. 19, 2021**

(54) **PROPAGATION TRAY**

(71) Applicant: **MONDI PRODUCTS LTD.,**  
Vancouver (CA)

(72) Inventor: **Michael Montagano,** Vancouver (CA)

(73) Assignee: **MONDI PRODUCTS LTD.,**  
Vancouver (CA)

(\*\*) Term: **15 Years**

(21) Appl. No.: **29/699,738**

(22) Filed: **Jul. 29, 2019**

(30) **Foreign Application Priority Data**

Apr. 24, 2019 (CA) ..... CA 187140

(51) **LOC (13) Cl.** ..... **11-02**

(52) **U.S. Cl.**  
USPC ..... **D11/155**

(58) **Field of Classification Search**  
USPC ..... D3/304, 315; D6/403, 404, 405, 680.2;  
D26/55  
CPC ..... A01G 9/02  
See application file for complete search history.

(56) **References Cited**

**U.S. PATENT DOCUMENTS**

D210,750 S *	4/1968	Paxton	.....	D11/155
D259,777 S *	7/1981	Ehrreich	.....	D11/155
D259,867 S *	7/1981	Kenyon	.....	D11/155
4,349,124 A *	9/1982	Faller	.....	B65D 1/44 220/608
D463,202 S *	9/2002	Smith	.....	D7/359
D558,453 S *	1/2008	Richter	.....	D3/304
D653,158 S *	1/2012	Wardenburg	.....	D11/145
D654,162 S *	2/2012	Sykes	.....	D23/393
D727,791 S *	4/2015	Montagano	.....	D11/155
D750,996 S *	3/2016	Butler	.....	D11/155
D793,161 S *	8/2017	Fullmer	.....	D7/409

(Continued)

**OTHER PUBLICATIONS**

Monster Gardens website, Mondri black and white propagation tray, Publication date unknown, [site visited Feb. 21, 2021], Available on the Internet URL <https://monstergardens.com/mondi-black-and-white-propagation-tray-10-x-20-25-pack.html> (Year: 2021).\*

(Continued)

*Primary Examiner* — Karen S Acker

*Assistant Examiner* — Steven B Reinholdt, Jr.

(74) *Attorney, Agent, or Firm* — Moore & Van Allen PLLC; Jeffrey R. Gray

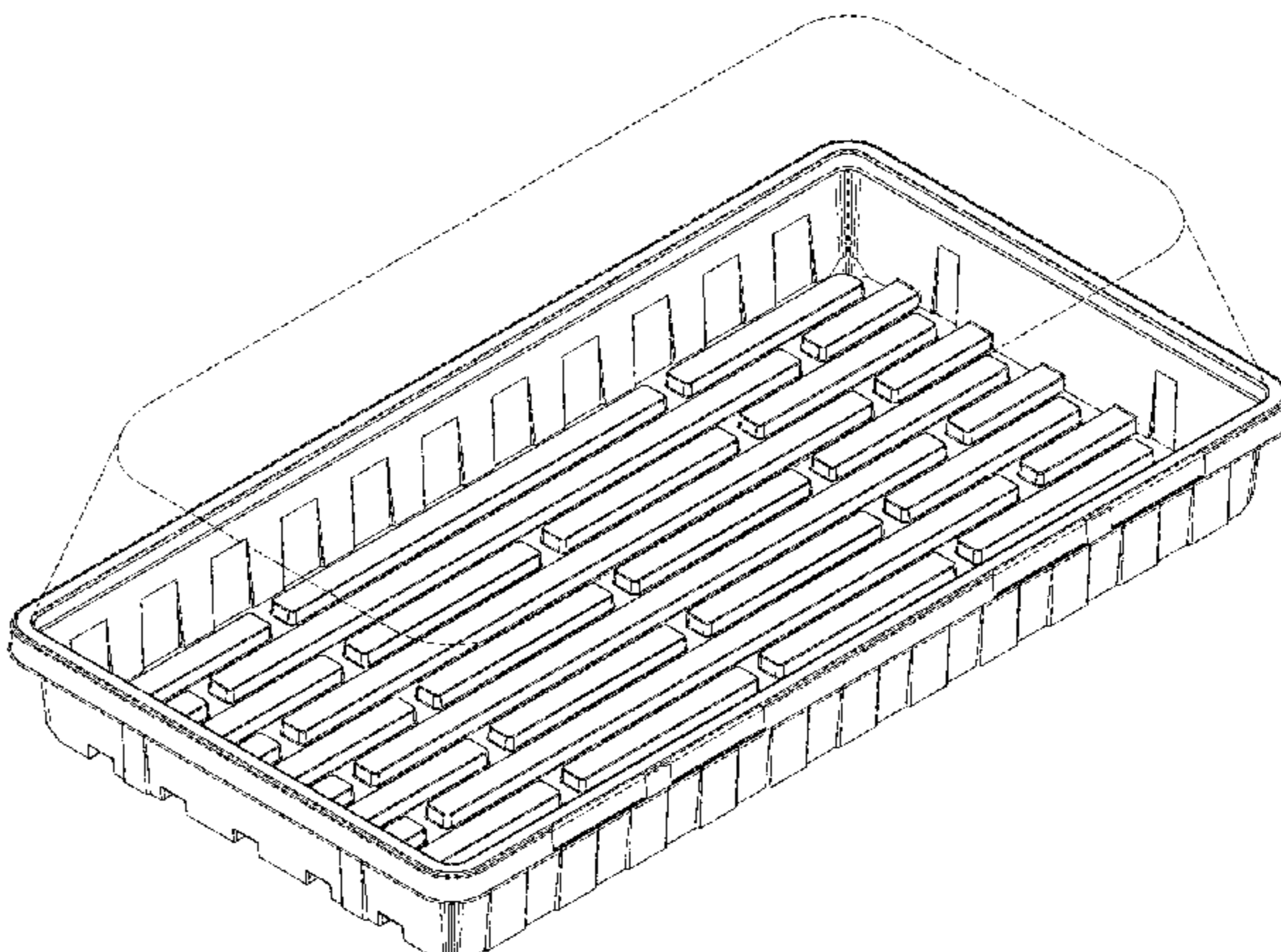
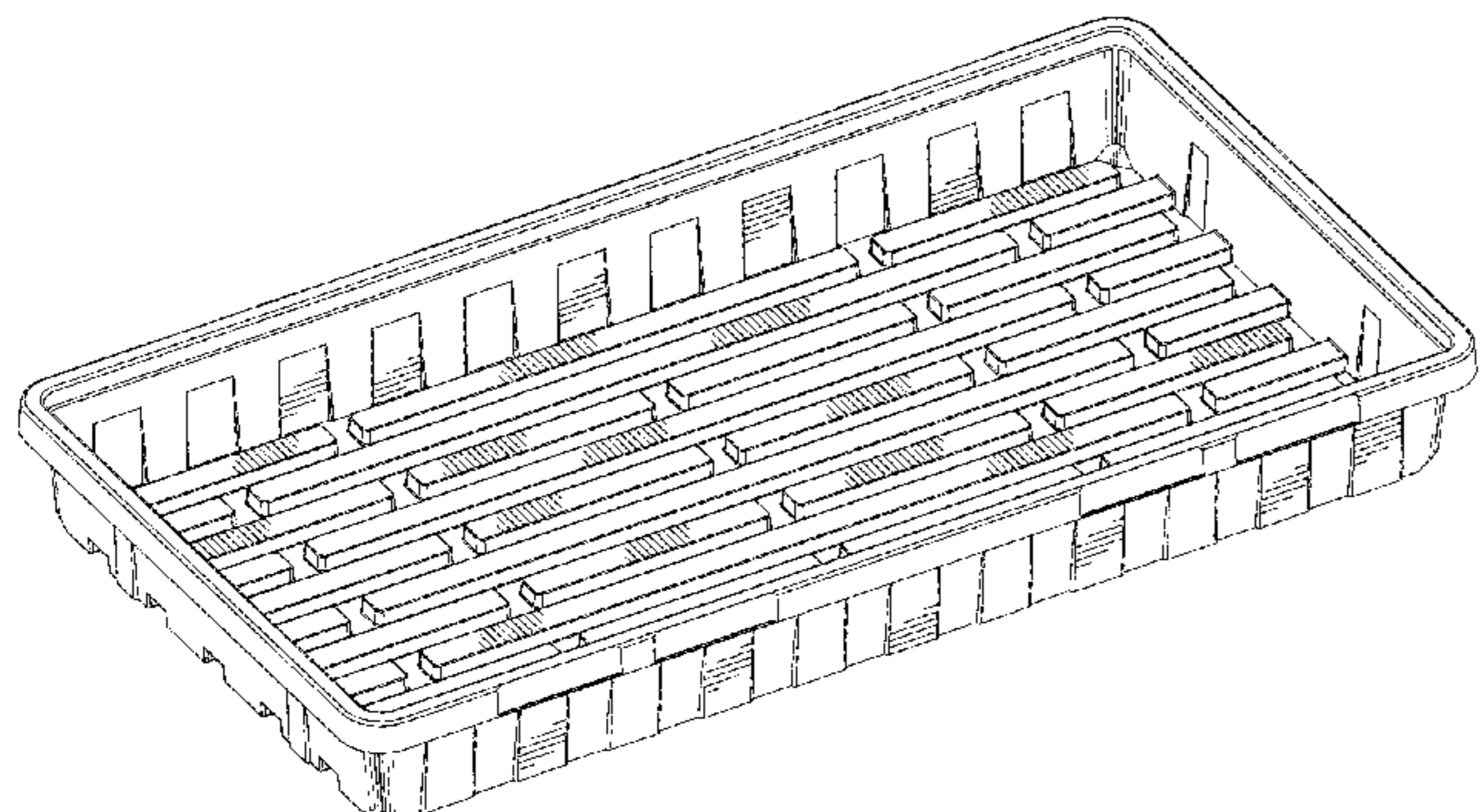
(57) **CLAIM**

The ornamental design for a propagation tray, as shown and described.

**DESCRIPTION**

FIG. 1 is a front perspective view of a propagation tray; FIG. 2 is a front view of the propagation tray of FIG. 1; FIG. 3 is a side elevation view of one side of the propagation tray of FIG. 1; FIG. 4 is a side view of the propagation tray of FIG. 1; FIG. 5 is a top perspective view of the propagation tray of FIG. 1; FIG. 6 is an enlarged detail view of one end of the propagation tray illustrated by area 6 circumscribed within FIG. 5; FIG. 7 is a bottom perspective view of the propagation tray of FIG. 1; and, FIG. 8 is a perspective view of the propagation tray of FIG. 1 in a use configuration with environment lines. The dot-dash-dot broken lines in FIGS. 5 and 6 depict the boundaries of the enlargements that form no part of the claimed design. The evenly spaced broken lines in FIG. 8 depict environment subject matter that forms no part of the claimed design.

**1 Claim, 6 Drawing Sheets**



(56)

**References Cited**

U.S. PATENT DOCUMENTS

D831,532 S \* 10/2018 Larsen ..... D11/143  
2016/0143235 A1 \* 5/2016 Torres ..... A01G 31/02  
47/60

OTHER PUBLICATIONS

Mondi website, Propagation Tray 1020, Earliest publication date on wayback machine Oct. 27, 2020, [site visited Feb. 21, 2021], Available on the Internet URL <https://web.archive.org/web/20201027061831/https://mondiproducts.com/product/propagation-tray-1020-no-holes/> (Year: 2020).\*

Growershouse website, Mondi Propagation Trays 10×20 with Holes, Publication date unknown, [site visited Feb. 21, 2021], Available on the Internet URL <https://growershouse.com/mondi-propagation-trays-10-x-20-with-holes> (Year: 2021).\*

Amazon website, Mondi 10"×20" Tray, Earliest comment date Mar. 27, 2017, [site visited Feb. 21, 2021], Available on the Internet URL <https://www.amazon.com/Mondi-Tray-Humidity-Dome-Propagation/dp/B01N1V1DWB> (Year: 2017).\*

\* cited by examiner

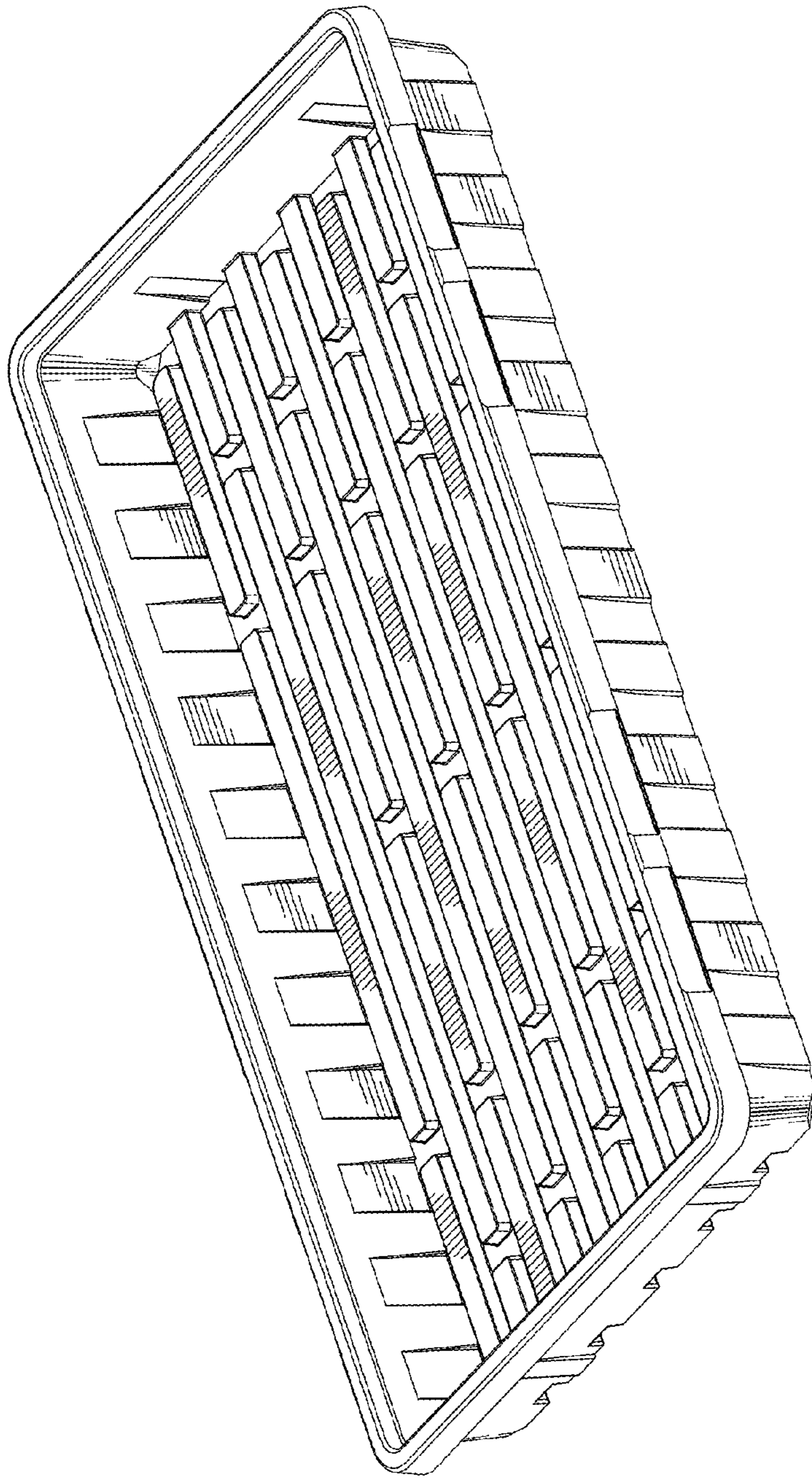


FIG. 1

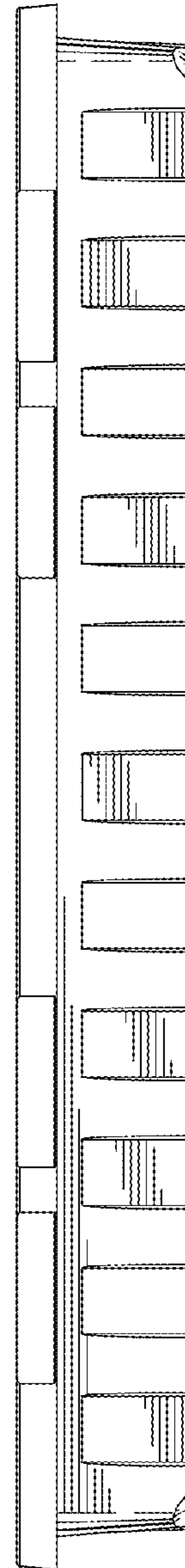


FIG. 2

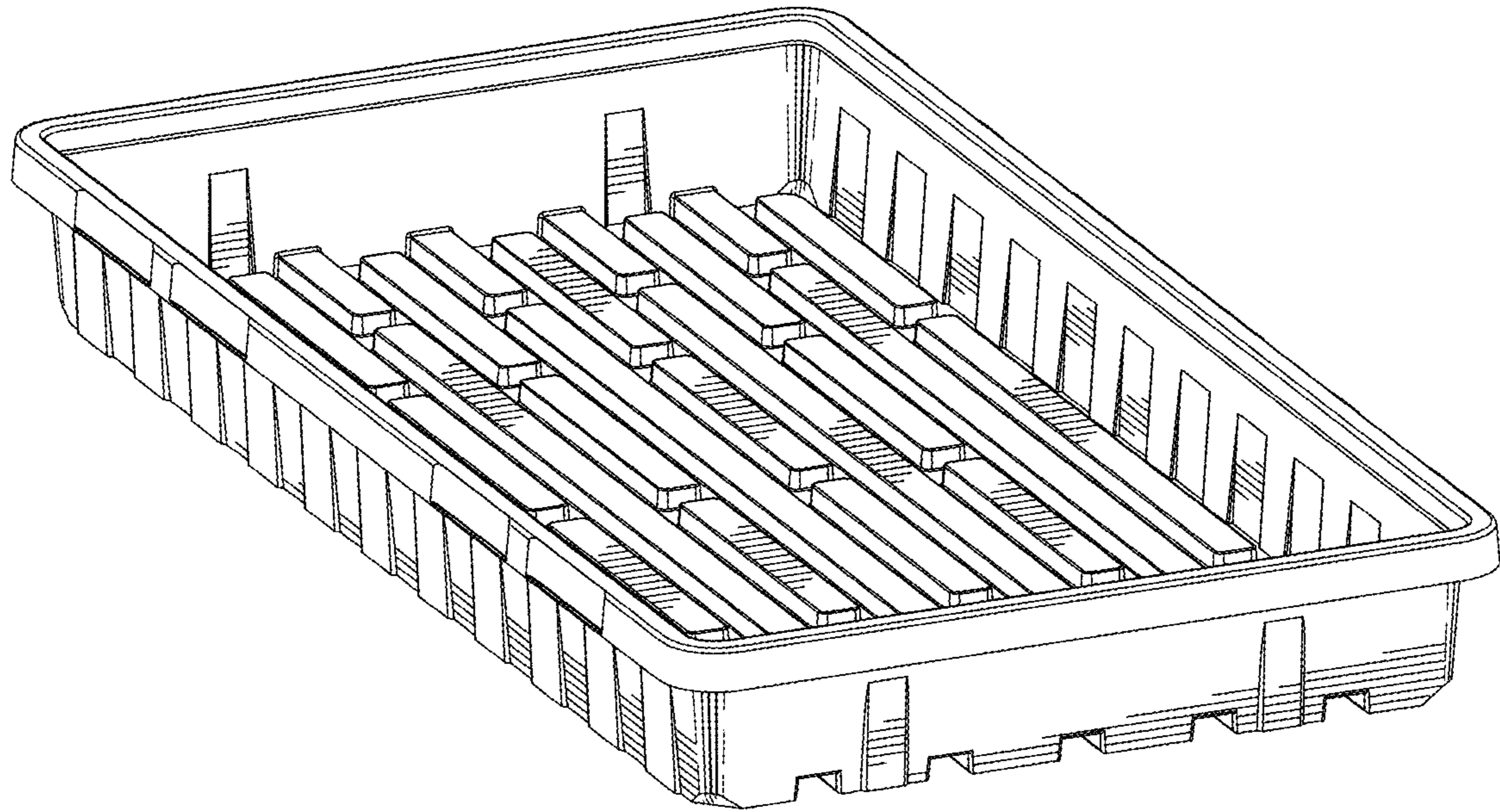


FIG. 3

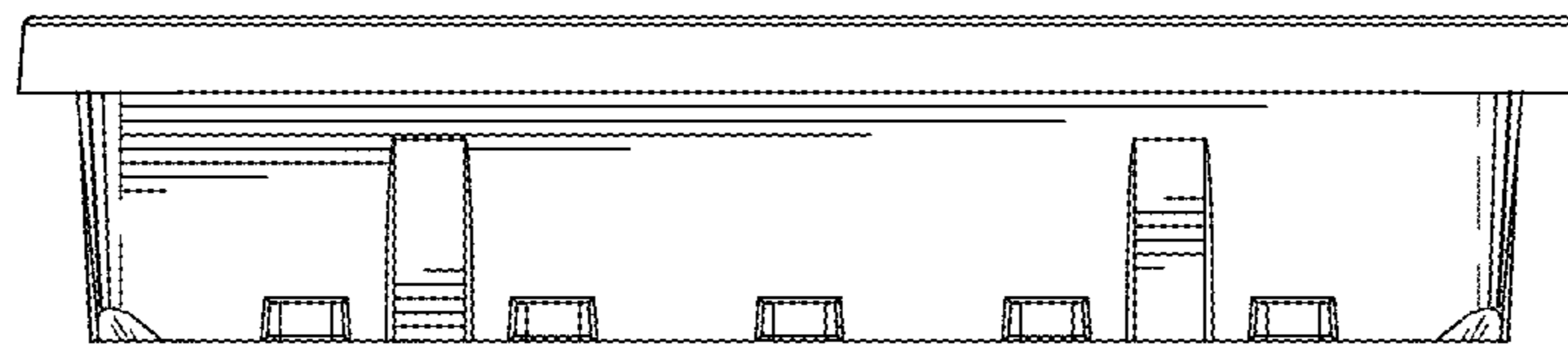


FIG. 4

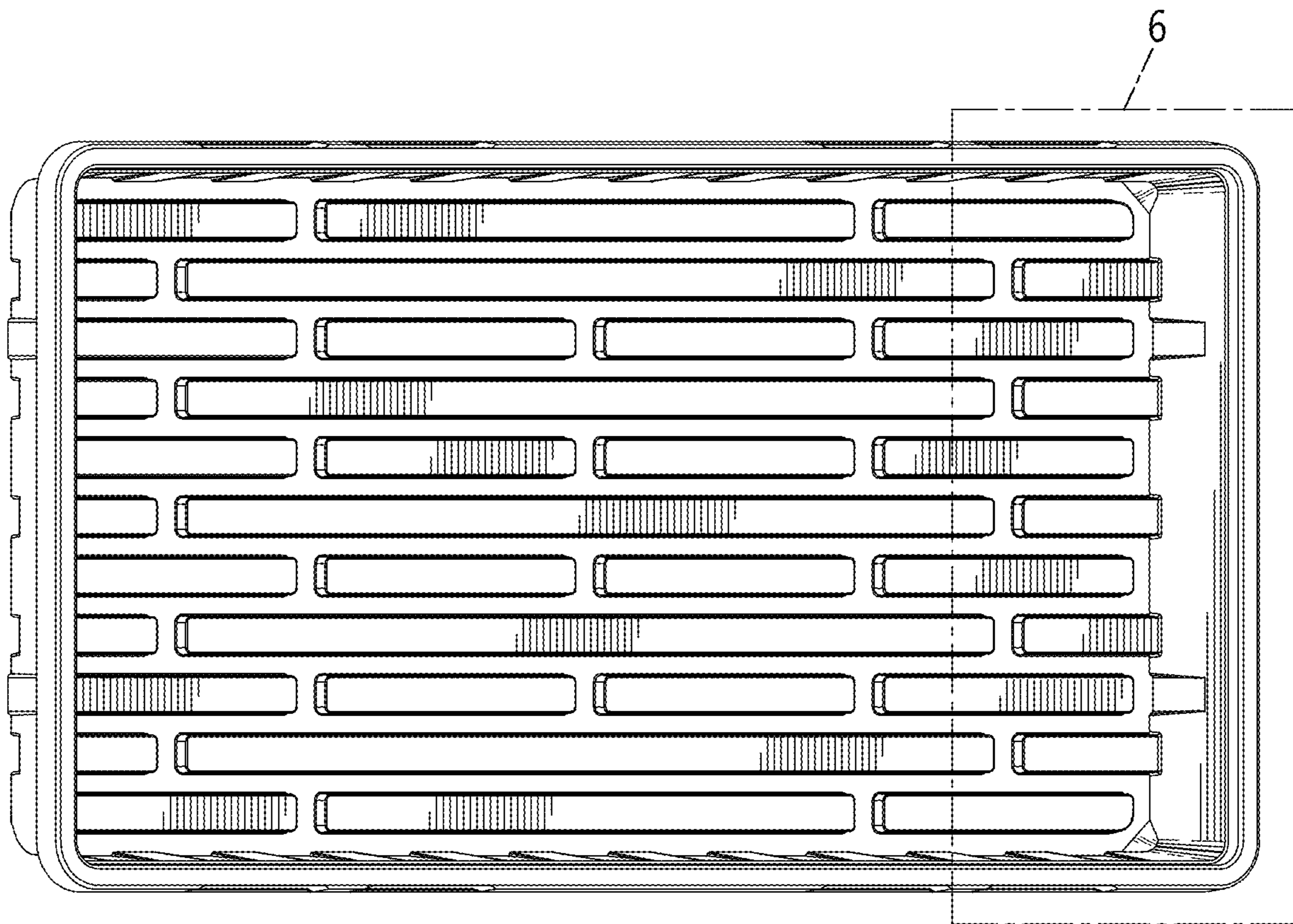


FIG. 5



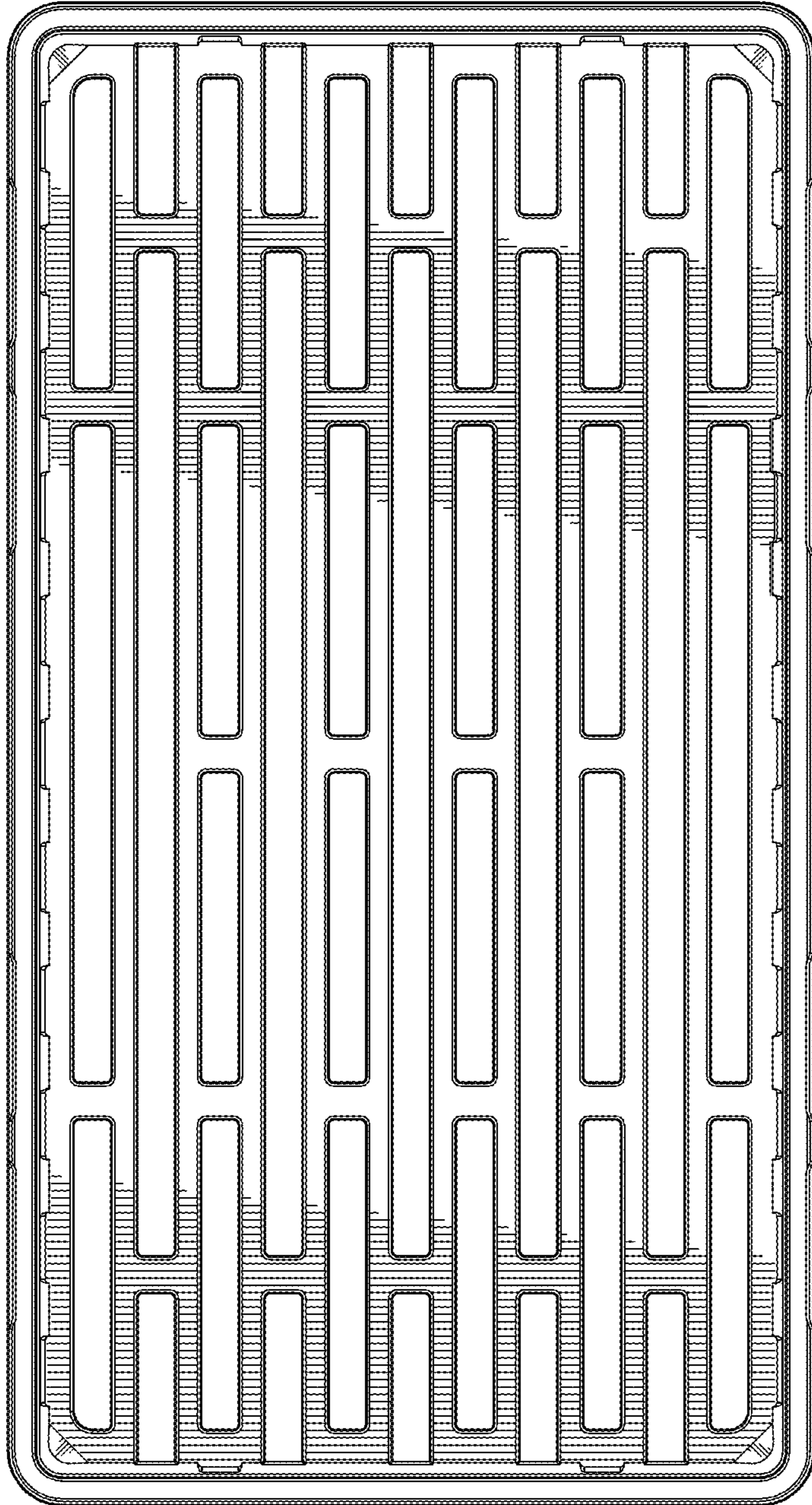


FIG. 7

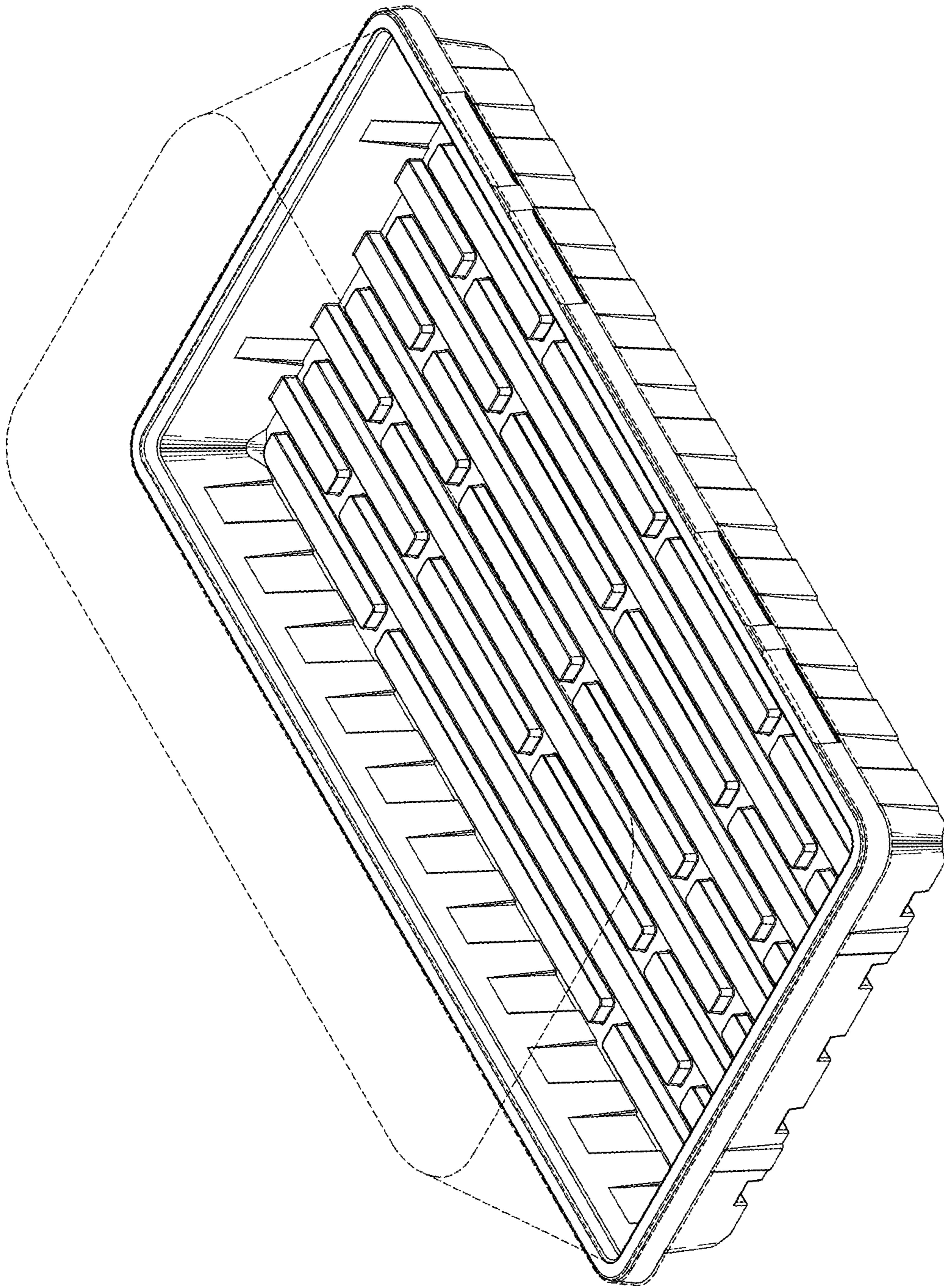


FIG. 6