



US00D933517S

(12) **United States Design Patent**  
**Bernardi**

(10) **Patent No.:** **US D933,517 S**  
(45) **Date of Patent:** **\*\* Oct. 19, 2021**

(54) **JEWELRY BEAD**  
(71) Applicant: **CHRYSOS S.P.A.**, Romano d'Ezzelino (IT)  
(72) Inventor: **Francesco Bernardi**, Vicenza (IT)  
(73) Assignee: **CHRYSOS S.P.A.**, Vicenza (IT)  
(\*\*) Term: **15 Years**  
(21) Appl. No.: **29/723,064**  
(22) Filed: **Feb. 4, 2020**

D701,468 S \* 3/2014 Schweiger ..... D11/89  
D707,586 S \* 6/2014 Schweiger ..... D11/89  
D767,439 S \* 9/2016 Schweiger ..... D11/89

**OTHER PUBLICATIONS**

Bulgari.com, Snakes bracelet in 18K white gold with pavé diamonds; reference: 345216 [online] [site visited Feb. 3, 2020] <URL: <https://www.bulgari.com/it-it/345216.html>>.  
Vhernier.com, Calla bracelet in 18K rose gold and diamonds; product SKU: 0G1652BR311 [online] [site visited Feb. 3, 2020] <URL: <https://www.vhernier.com/jewelry/bracelets/bracciale-calla-0g1652br311.html>>.

\* cited by examiner

(30) **Foreign Application Priority Data**

Jan. 14, 2020 (EM) ..... 007510094

(51) **LOC (13) Cl.** ..... **11-01**  
(52) **U.S. Cl.**  
USPC ..... **D11/86**  
(58) **Field of Classification Search**  
USPC ..... D11/1-29, 86, 89  
CPC ..... A44C 25/00; A44C 25/001; A44C 25/007;  
A44C 23/00; A44C 15/00  
See application file for complete search history.

*Primary Examiner* — Zenia I Bennett  
(74) *Attorney, Agent, or Firm* — Quarles & Brady LLP;  
James J. Aquilina

(57) **CLAIM**

The ornamental design for a jewelry bead, as shown and described.

**DESCRIPTION**

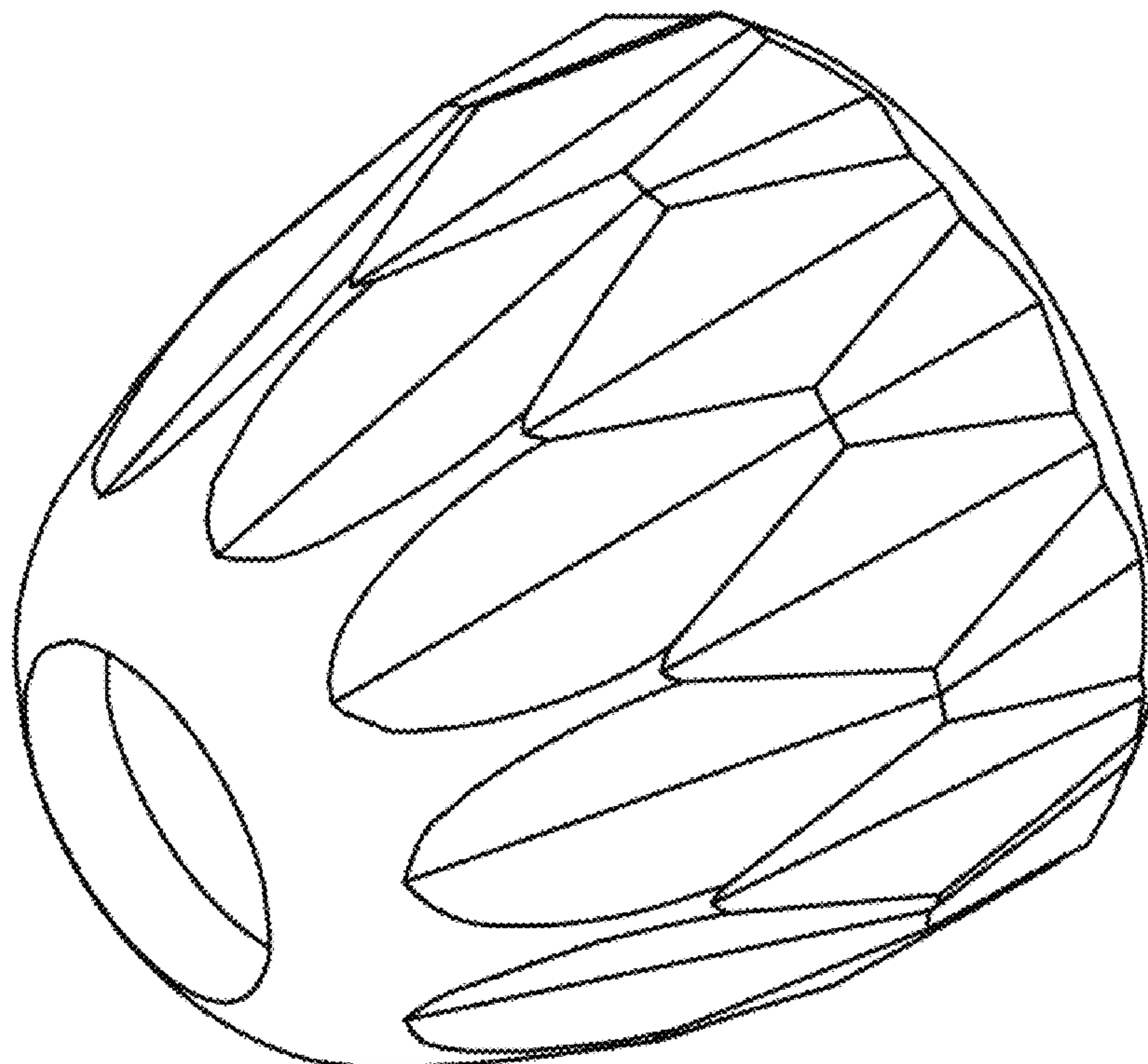
FIG. 1 is a perspective view of a top, front, and right side of an ornamental design for a jewelry bead; FIG. 2 is a front elevational view thereof; FIG. 3 is a rear elevational view thereof; FIG. 4 is a left side elevational view thereof; FIG. 5 is a right side elevational view thereof; FIG. 6 is a top plan view thereof; and, FIG. 7 is a bottom plan view thereof.

(56) **References Cited**

**U.S. PATENT DOCUMENTS**

D239,534 S \* 4/1976 Michaeli ..... D7/396.2  
D619,038 S \* 7/2010 Wilhelm ..... D11/90  
D658,533 S \* 5/2012 Neuner ..... D11/89  
D694,148 S \* 11/2013 Richter ..... D11/89

**1 Claim, 2 Drawing Sheets**



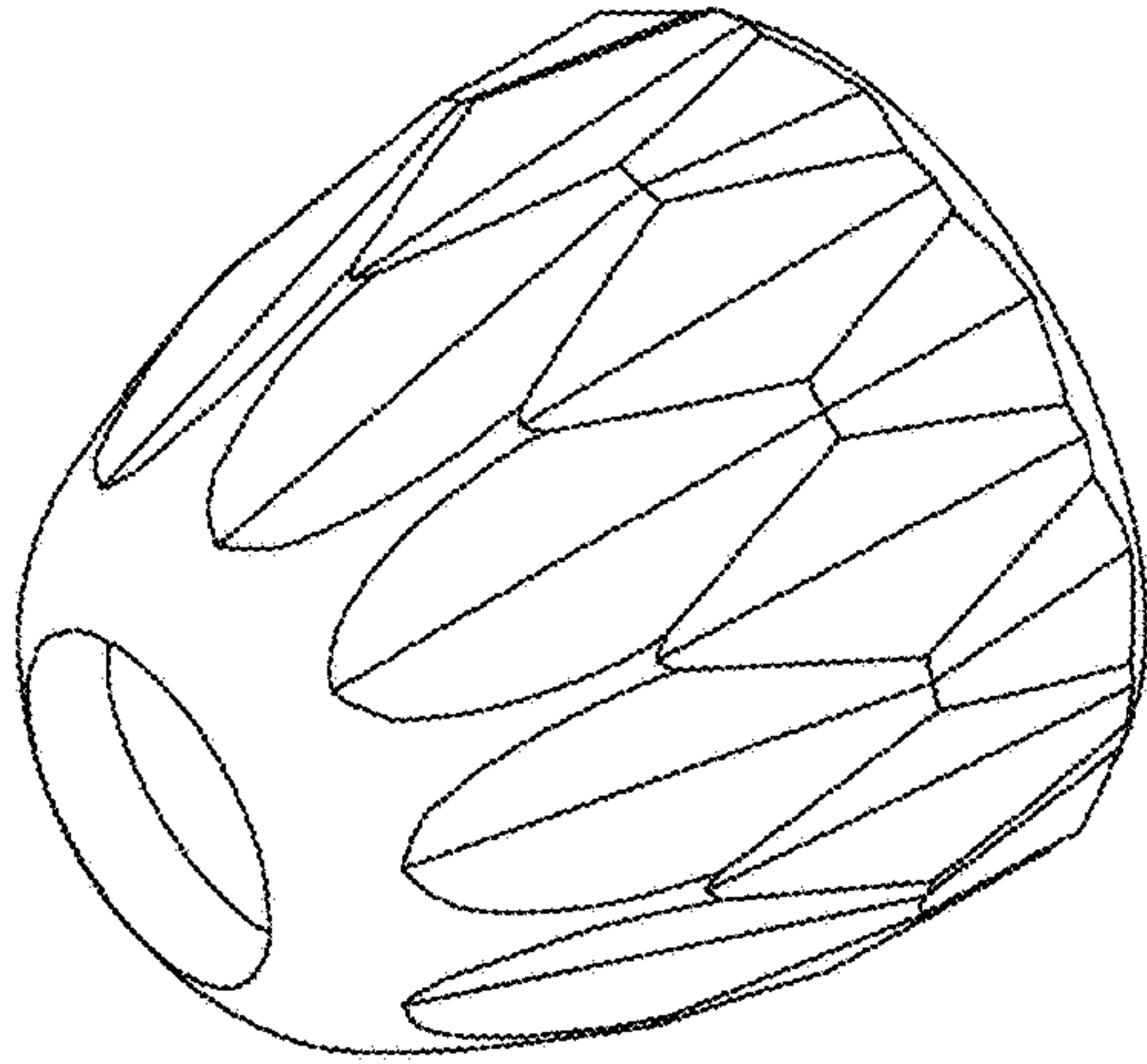


FIG. 1

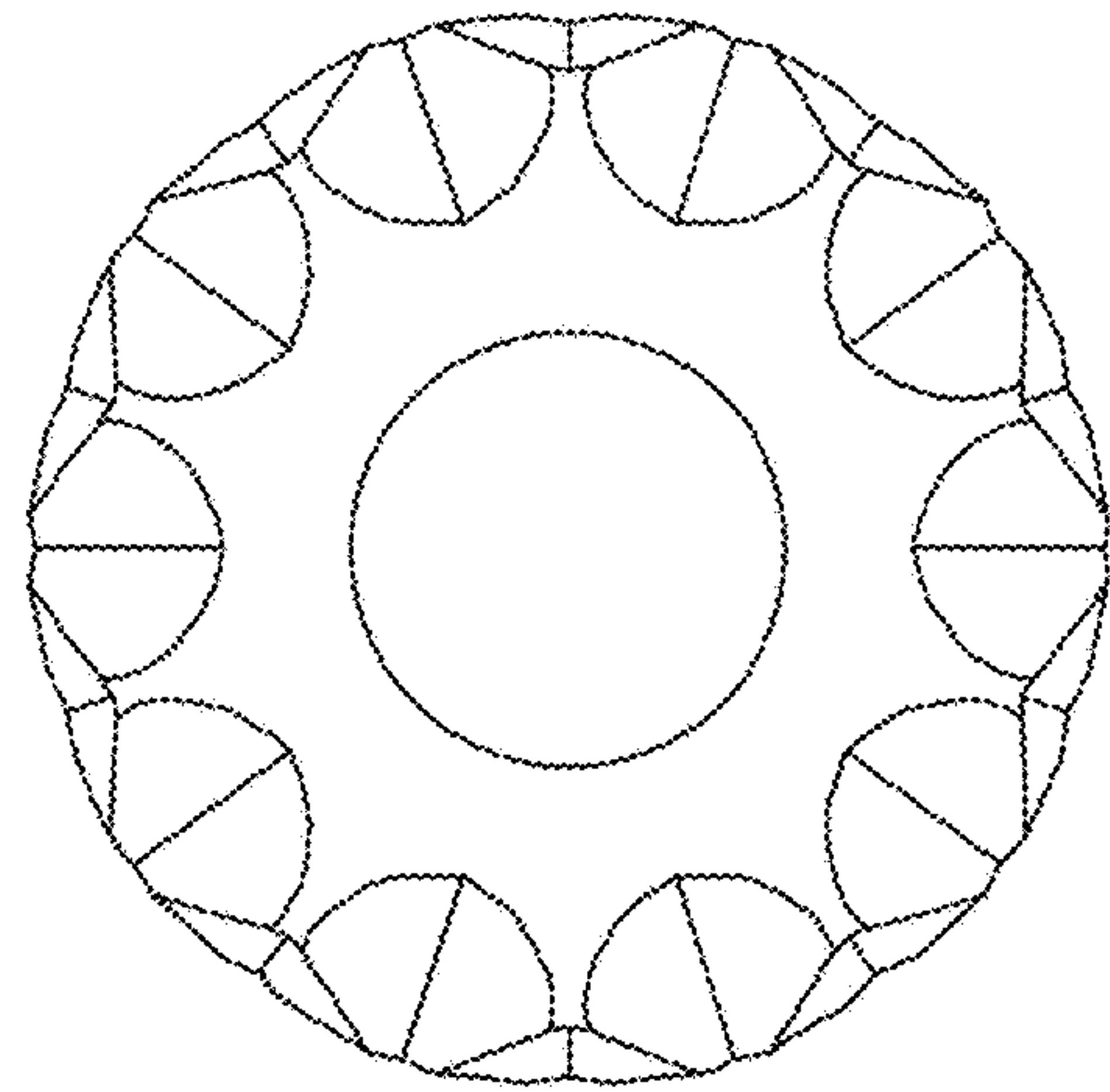


FIG. 2

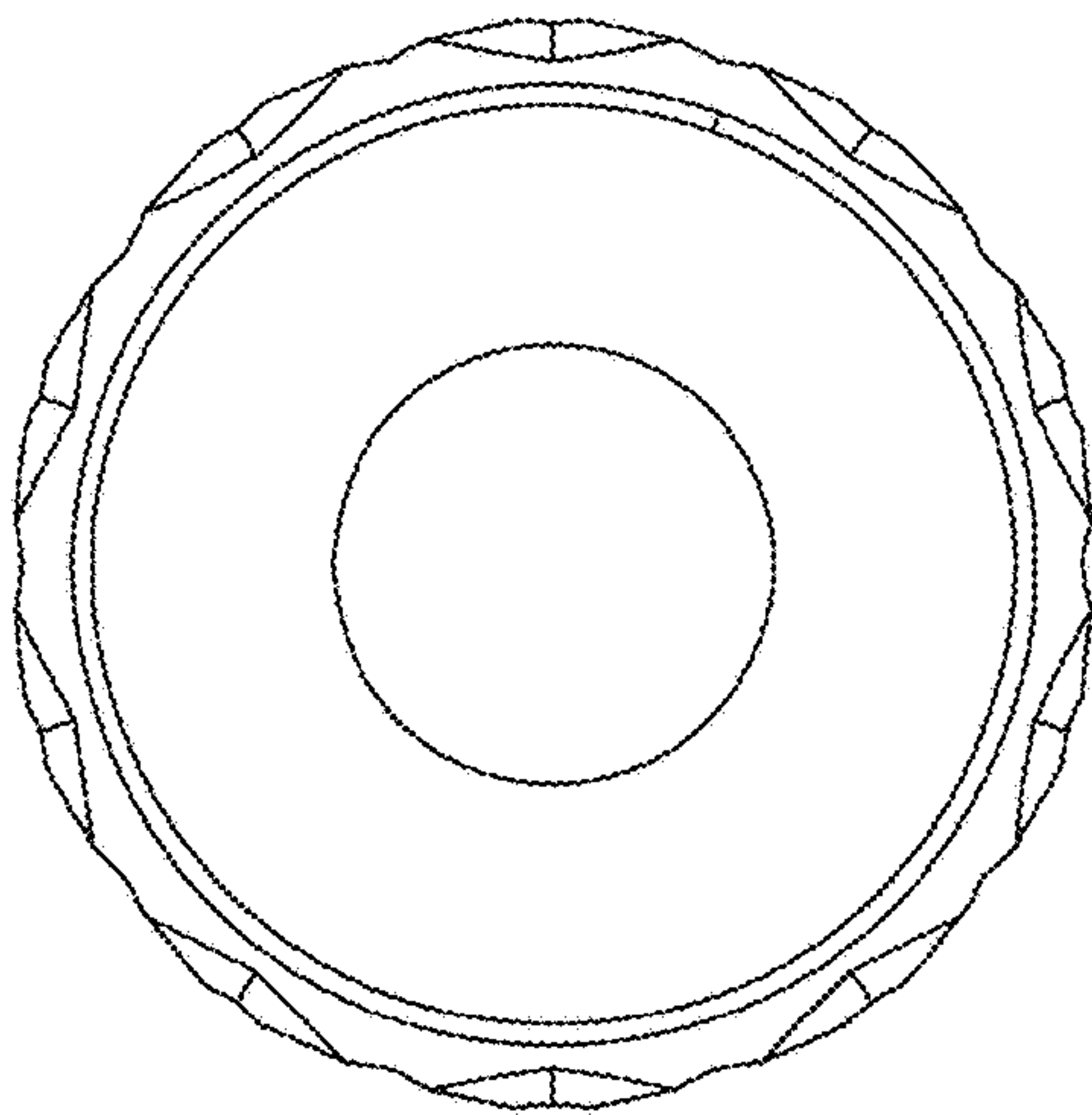


FIG. 3

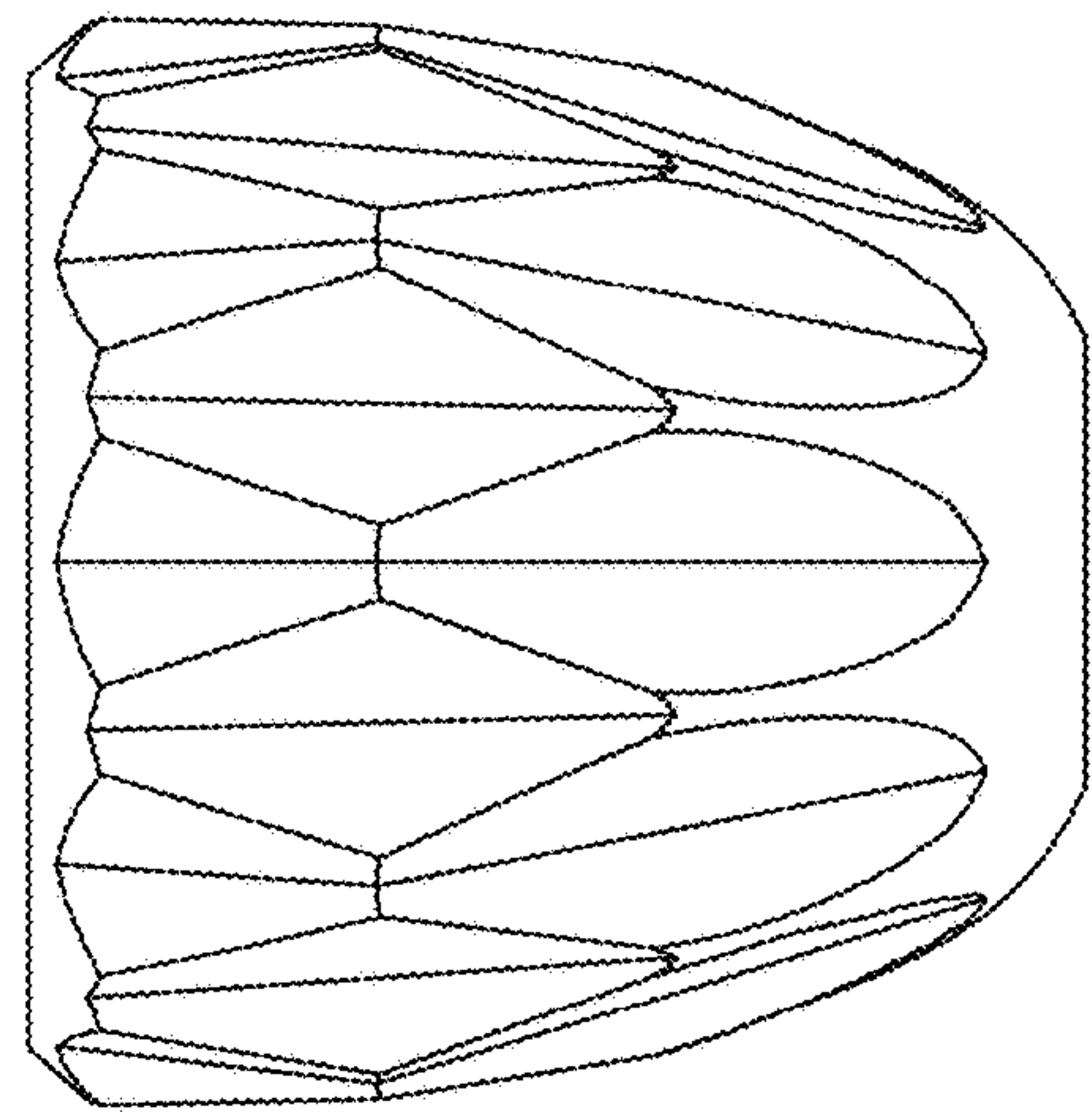


FIG. 4

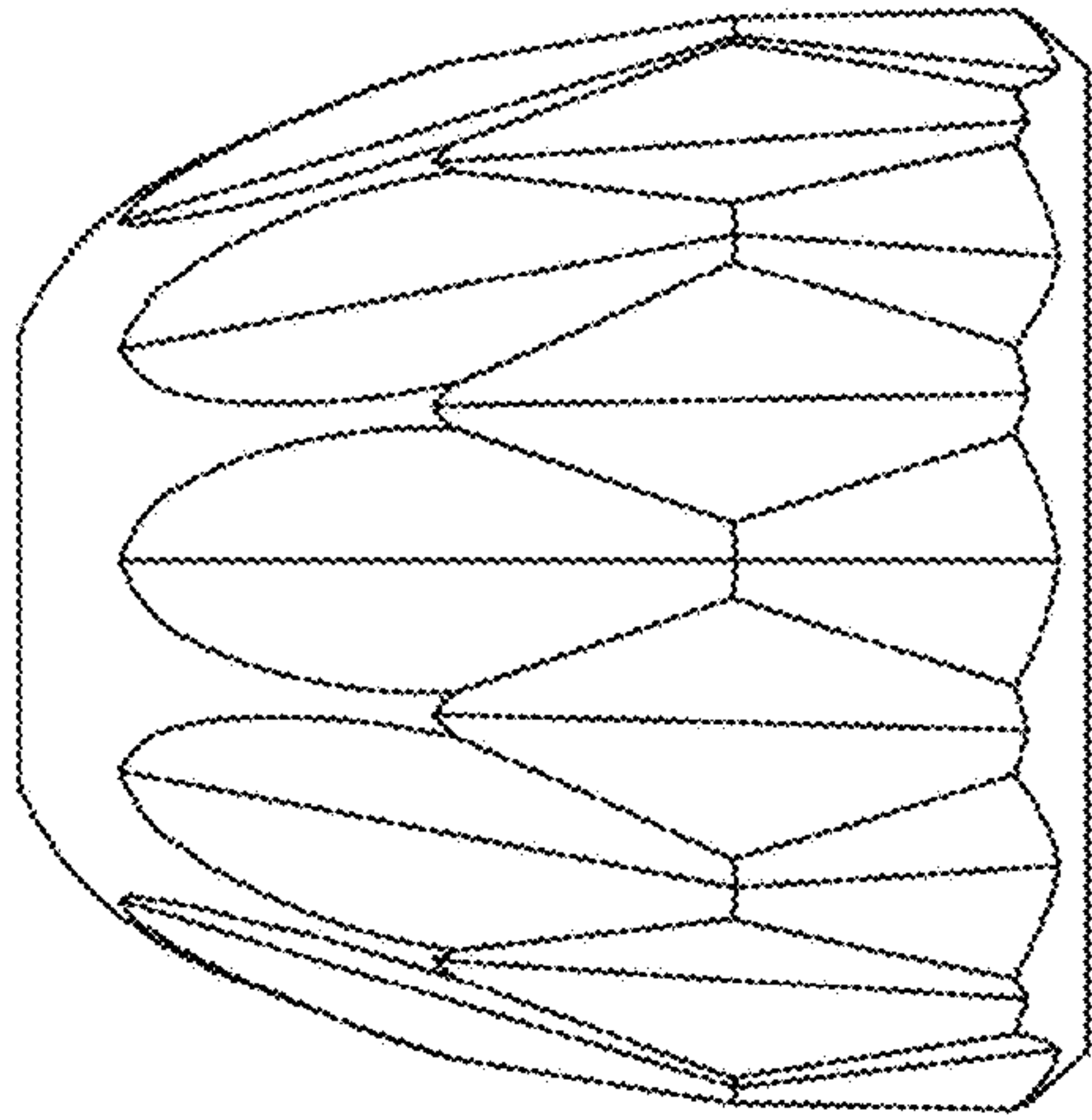


FIG. 5

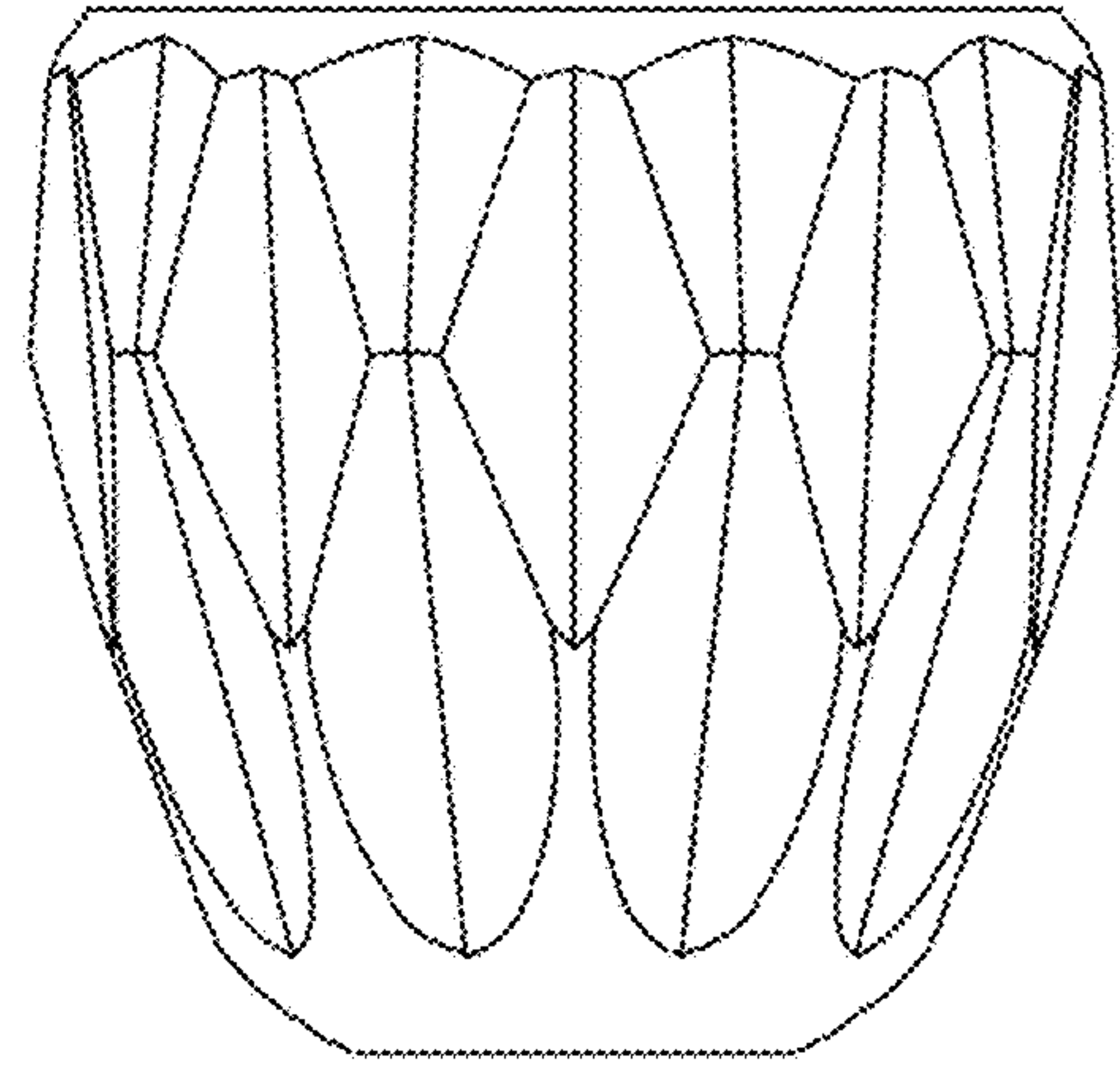


FIG. 6

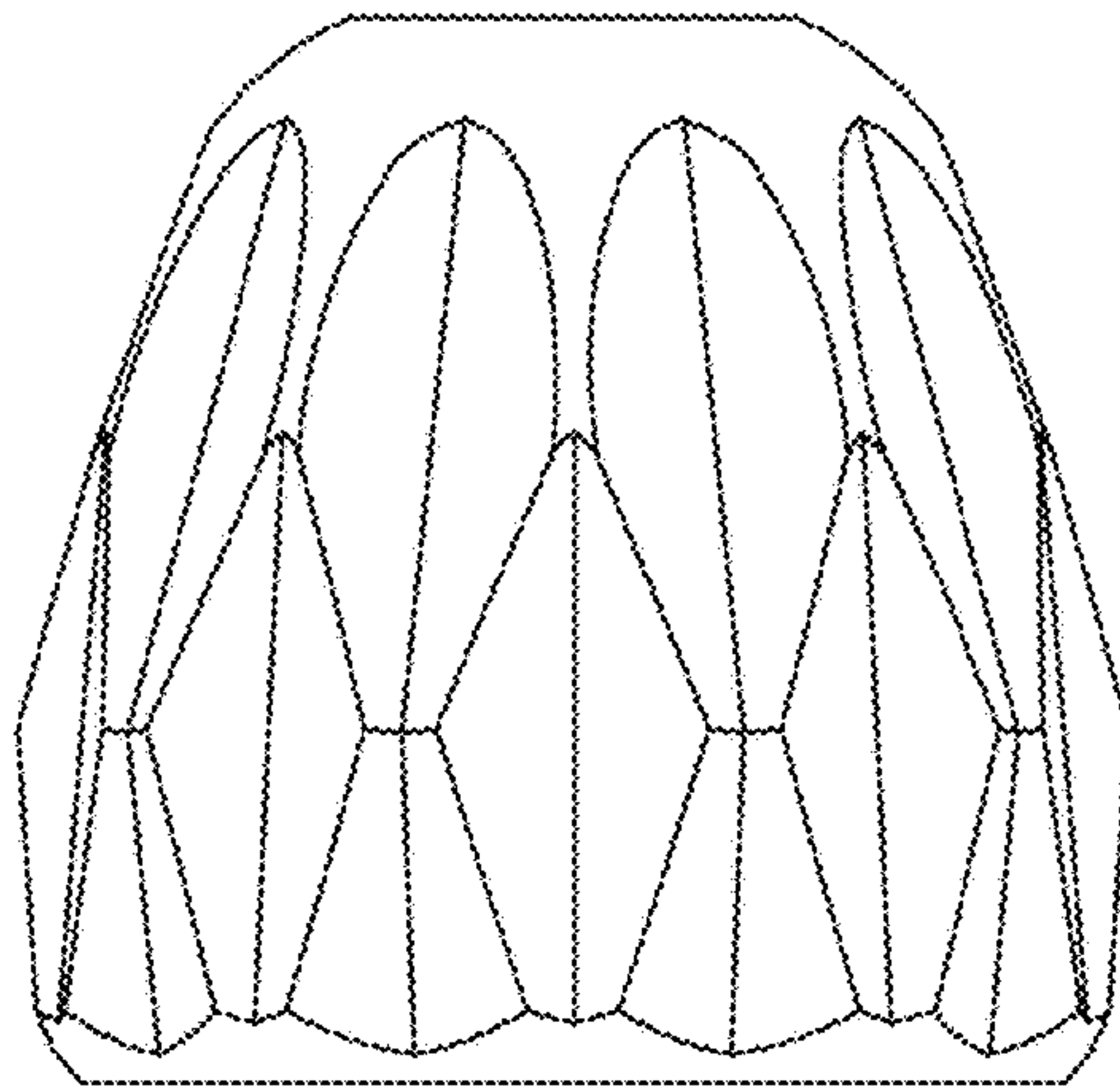


FIG. 7