



US00D933515S

(12) **United States Design Patent** (10) **Patent No.:** **US D933,515 S**
Wu (45) **Date of Patent:** **** Oct. 19, 2021**

(54) **MUSTARD SEED PENDANT** 7,712,332 B2 * 5/2010 Wright A44C 25/001
63/3
(71) Applicant: **MYOSPARK LLC**, Framingham, MA D684,881 S 6/2013 Willard
(US) D685,668 S 7/2013 Guerrero
D695,643 S * 12/2013 Wolff D11/79
(72) Inventor: **Cuifang Wu**, Yizhang (CN) D712,298 S * 9/2014 Taylor-Cattapan D11/79
D715,176 S * 10/2014 Schifter D11/79
D719,050 S * 12/2014 Yatsugi-Kang D11/79
(**) Term: **15 Years** D733,889 S * 7/2015 Brandis D24/174
9,398,790 B1 * 7/2016 Ketcher A44C 25/001
(21) Appl. No.: **29/772,620** 9,398,792 B2 * 7/2016 Liao A44C 25/00
D766,124 S 9/2016 Ochoa
(Continued)

(22) Filed: **Mar. 3, 2021**
(51) **LOC (13) Cl.** **11-01**
(52) **U.S. Cl.**
USPC **D11/79**
(58) **Field of Classification Search**
USPC D3/207-211; D11/79-86, 56, 61, 40, 1,
D11/41-45
CPC A44C 1/00; A44C 25/00; A44C 25/001;
A44C 25/002; A44C 25/007; A44C
15/00; A44C 15/003; A44C 15/005; A44C
15/0055; A44C 15/006
See application file for complete search history.

(56) **References Cited**
U.S. PATENT DOCUMENTS
1,362,384 A * 12/1920 Benjamin A44C 25/002
63/18
2,731,812 A * 1/1956 Sullivan A44C 25/001
63/23
2,778,208 A * 1/1957 Flint A44C 3/00
63/23
D203,737 S * 2/1966 Friedman D99/34
D247,995 S * 5/1978 Lage D3/211
D301,561 S * 6/1989 Westmoland D11/40
D303,230 S * 9/1989 Westmoland D11/45
D349,189 S * 8/1994 Hong D3/208
D383,698 S * 9/1997 Fletcher D11/40
D386,123 S * 11/1997 Fletcher D3/211
D451,428 S * 12/2001 Shearer D11/97
D456,986 S * 5/2002 Trusi D3/208

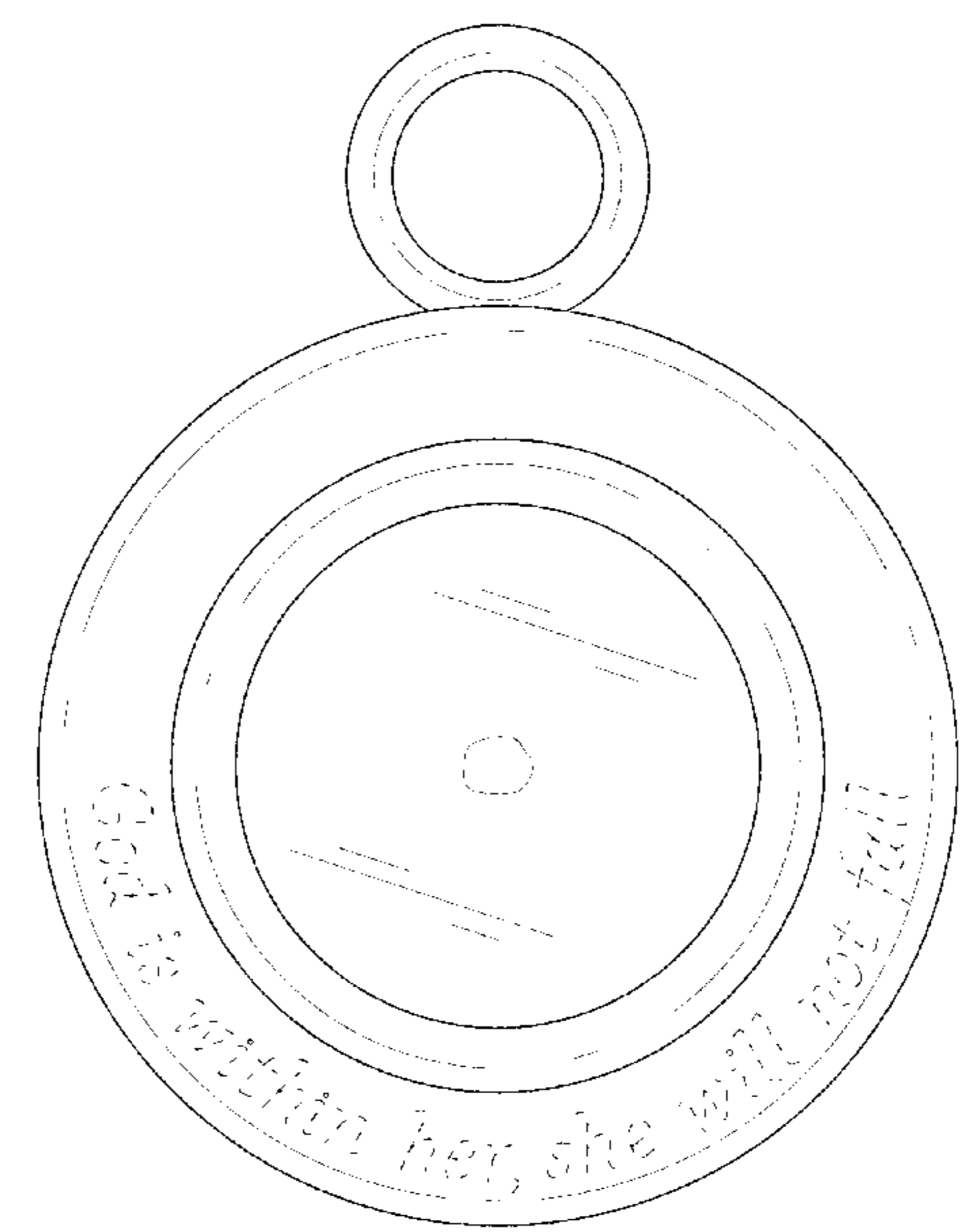
OTHER PUBLICATIONS
[Online] "Mustard Seed Necklace" <https://thepositivechristian.com/products/mustard-seed-faith-necklace>. Retrieved Sep. 10, 2021. Available online at least as early as Dec. 25, 2020 based on reviews.*
(Continued)

Primary Examiner — Melanie Pellegrini
(74) *Attorney, Agent, or Firm* — Rumit Ranjit Kanakia

(57) **CLAIM**
I claim the ornamental design for a mustard seed pendant, as shown and described.

DESCRIPTION
FIG. 1 is a Perspective view of a mustard seed pendant showing my new design;
FIG. 2 is a Front view thereof;
FIG. 3 is a Back view thereof;
FIG. 4 is a Left-side view thereof;
FIG. 5 is a Right-side view thereof;
FIG. 6 is a Top view thereof; and,
FIG. 7 is a Bottom view thereof.
The broken lines in the drawings depict portions of the mustard seed pendant that form no part of the claimed design.

1 Claim, 6 Drawing Sheets



(56)

References Cited

U.S. PATENT DOCUMENTS

9,433,266 B2 * 9/2016 Meisenbach A44C 25/002
D768,114 S * 10/2016 Hou D14/218
D775,981 S 1/2017 Yu et al.
D794,556 S * 8/2017 Liao D13/107
D828,213 S * 9/2018 Kohl D11/80
D832,127 S * 10/2018 Grois D11/2
D832,733 S 11/2018 Grois
10,264,897 B1 * 4/2019 Chen A44C 25/001
10,588,385 B1 * 3/2020 Borgese A44C 25/001

OTHER PUBLICATIONS

[Online] "Mustard Seed Faith Necklace & Card" <https://jane.com/deal/428076/mustard-seed-faith-necklace-card>. Retrieved Sep. 10, 2021. Available at least as early as Sep. 16, 2017 based on reviews.*
[Online] "Mustard Necklace Floating Charm" <https://www.amazon.com/Mustard-Necklace-Floating-Charm-Pendant/dp/B07CLDNZP7>. Retrieved Sep. 10, 2021. Posted online Apr. 23, 2018.*

* cited by examiner

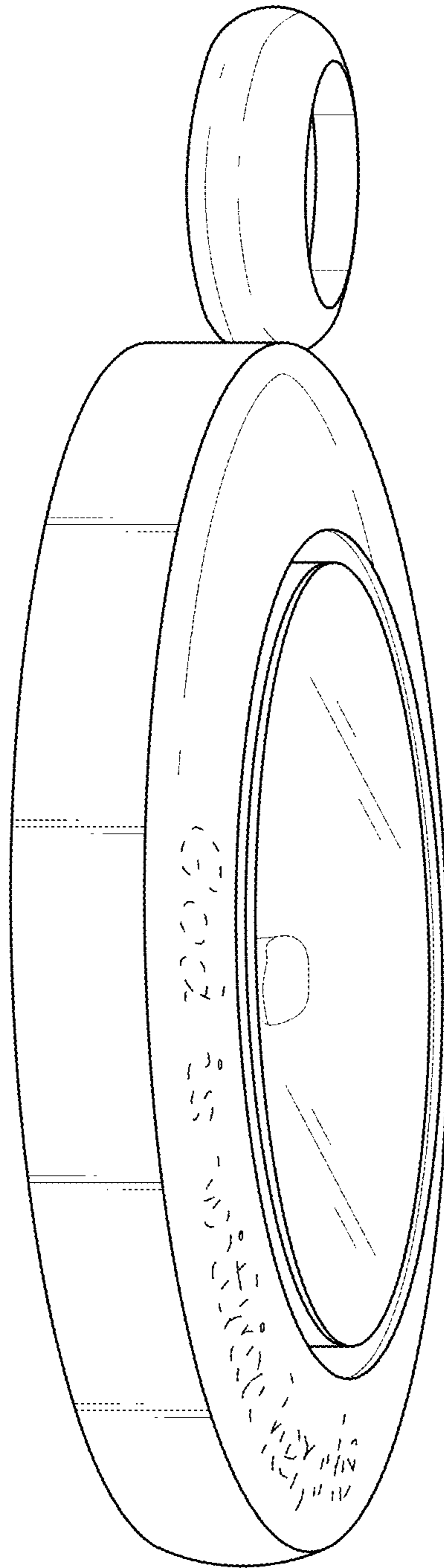


FIG. 1

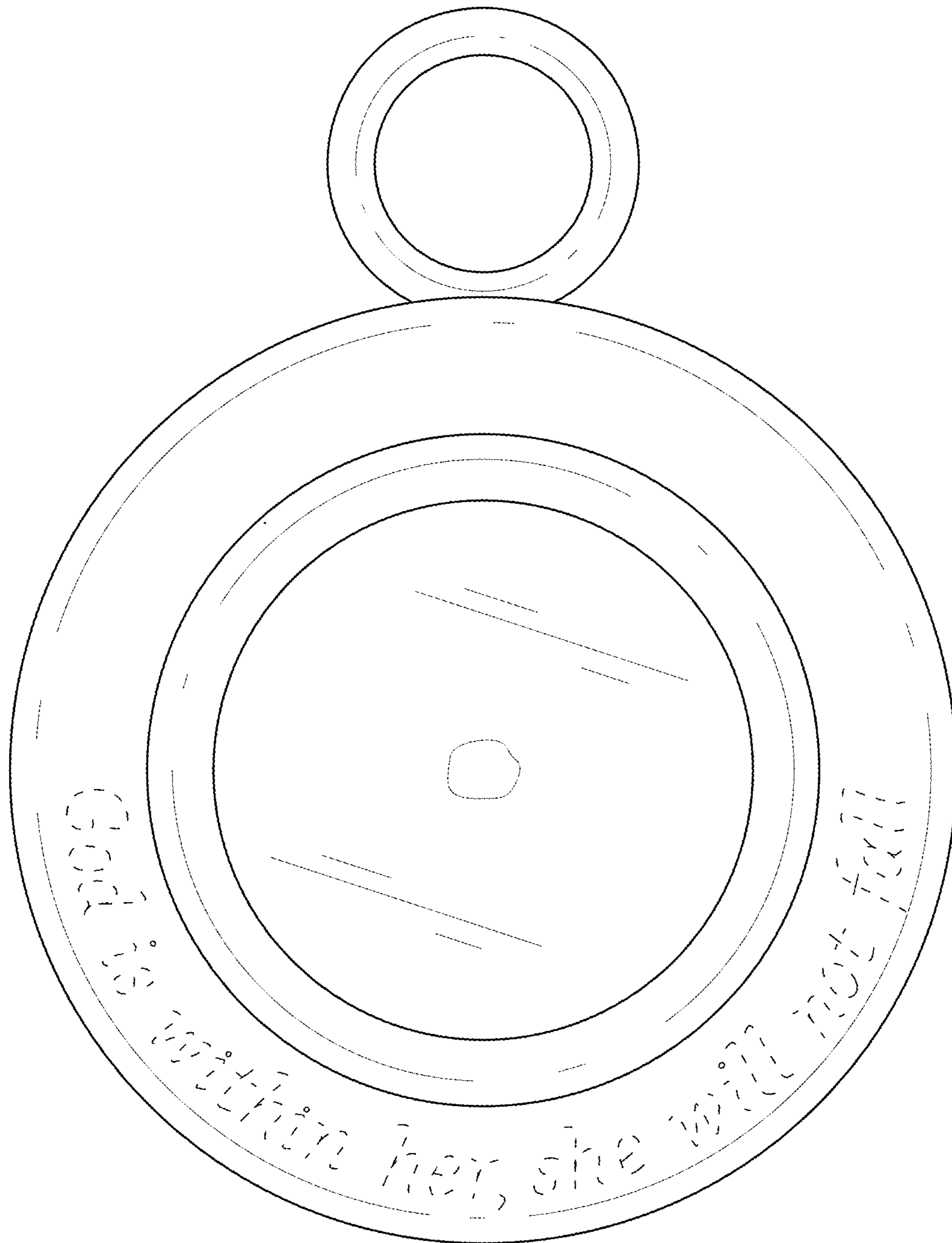


FIG. 2

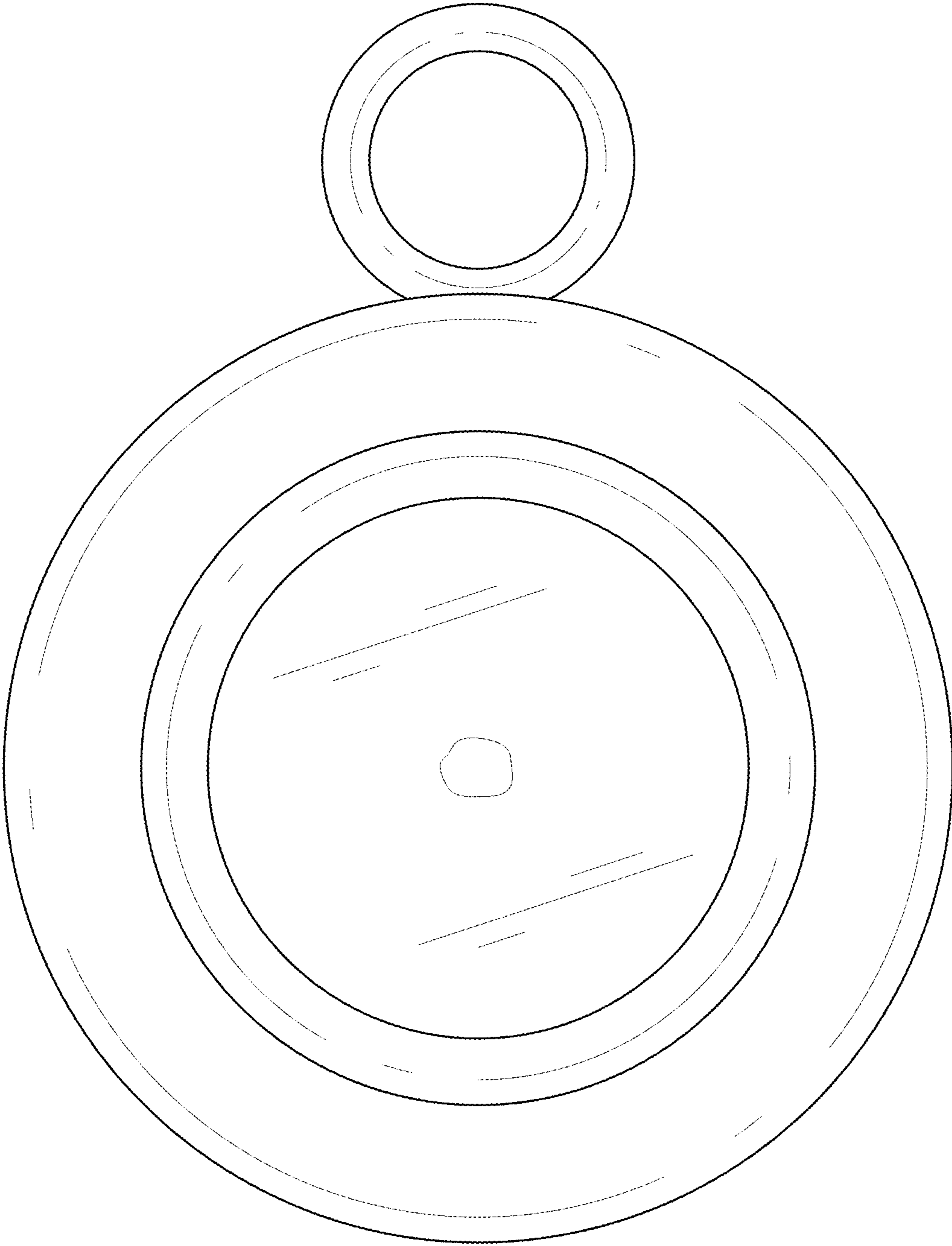


FIG. 3

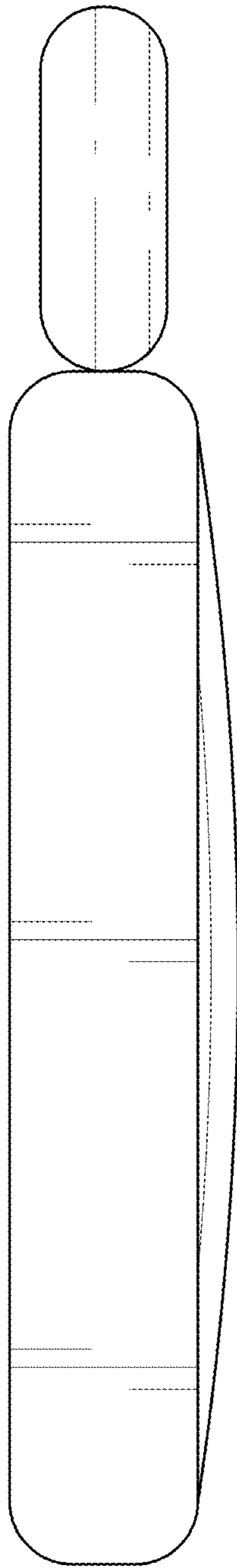


FIG. 4

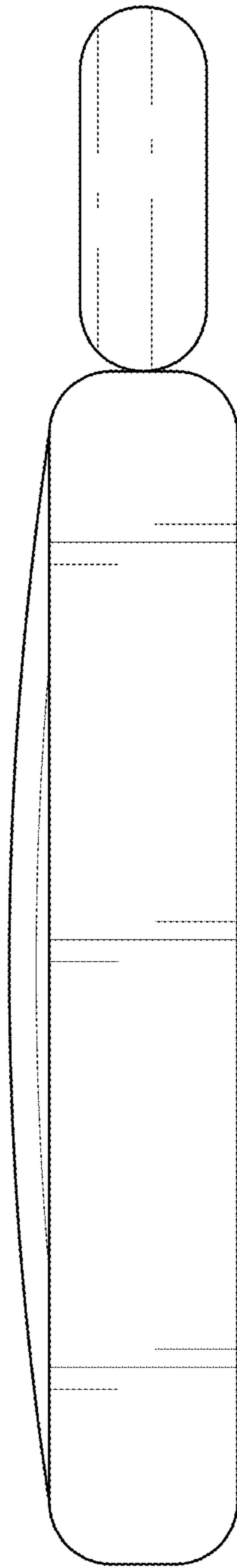


FIG. 5

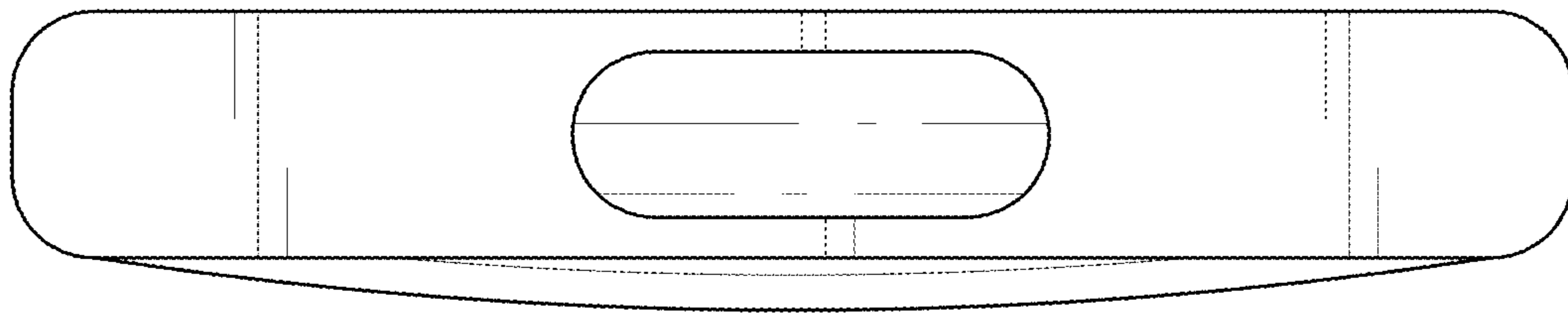


FIG. 6

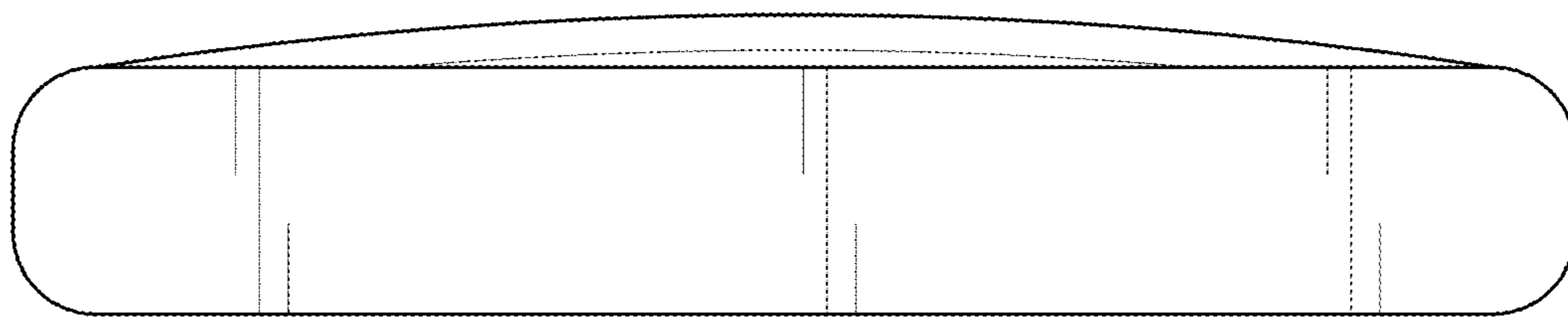


FIG. 7