



US00D933506S

(12) **United States Design Patent** (10) **Patent No.:** **US D933,506 S**
Kurani et al. (45) **Date of Patent:** **** Oct. 19, 2021**

(54) **FOLDABLE TRIANGLE PROTRACTOR**
(71) Applicants: **Hemal B. Kurani**, Sunnyvale, CA
(US); **Hetal B. Kurani**, Sunnyvale, CA
(US)
(72) Inventors: **Hemal B. Kurani**, Sunnyvale, CA
(US); **Hetal B. Kurani**, Sunnyvale, CA
(US)

(**) Term: **15 Years**
(21) Appl. No.: **29/740,855**

(22) Filed: **Jul. 8, 2020**
(51) **LOC (13) Cl.** **10-04**
(52) **U.S. Cl.**
USPC **D10/65**
(58) **Field of Classification Search**
USPC D10/69, 74, 71, 65; D19/133, 156
CPC ... G01C 9/28; G01C 9/30; G01C 9/34; G01C
9/36; G01C 9/26; G01C 9/24; G01C
5/00; G01C 15/02; G06N 20/00; G01B
3/566; B43L 7/0275; B43L 7/02; B43L
7/027193

See application file for complete search history.

(56) **References Cited**
U.S. PATENT DOCUMENTS

1,029,744 A * 6/1912 Desilets G01C 9/28
33/451
1,131,596 A * 3/1915 Bowen G01C 9/28
33/371
1,526,114 A * 2/1925 Brown G01C 9/26
33/419
2,149,783 A * 3/1939 McAlister G01C 9/26
33/451
4,194,295 A * 3/1980 Simuro G01B 3/06
33/451
4,524,527 A * 6/1985 Jeffrey G01B 3/02
33/342

D432,928 S * 10/2000 Garrett D10/62
6,643,942 B1 * 11/2003 Russell B25H 7/02
33/452
9,696,154 B1 * 7/2017 Brown, Jr. G01C 9/36
11,092,439 B2 * 8/2021 Woryk G01C 9/34
2019/0070891 A1 * 3/2019 Kurani B43L 9/02
2020/0149856 A1 * 5/2020 Miller G01B 3/06
2021/0155030 A1 * 5/2021 Kurani B43K 21/00

OTHER PUBLICATIONS

Inspectapedia Calibration of Folding Ruler Scale to Read Roof Slopes, publication date (verified by webarchive) Jan. 9, 2016, [online] URL: https://inspectapedia.com/roof/Folding_Ruler_Measurements.php (Year: 2016).*

* cited by examiner

Primary Examiner — L. A. Grabenstetter
Assistant Examiner — Antoinette Martine Suiter

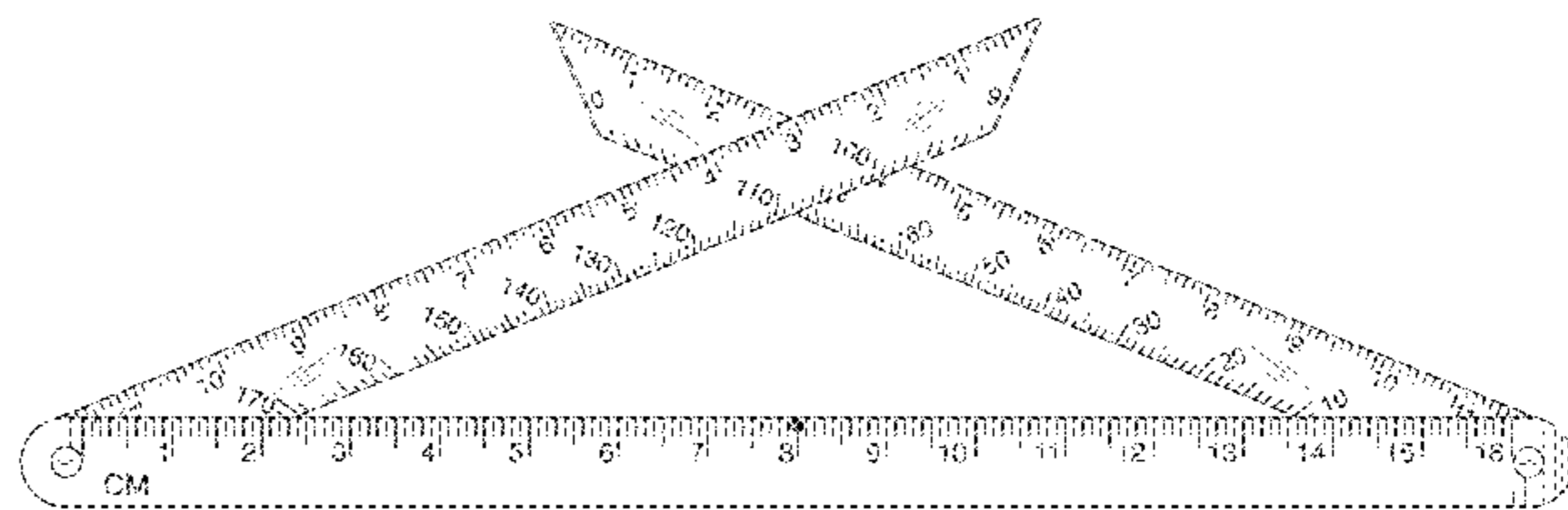
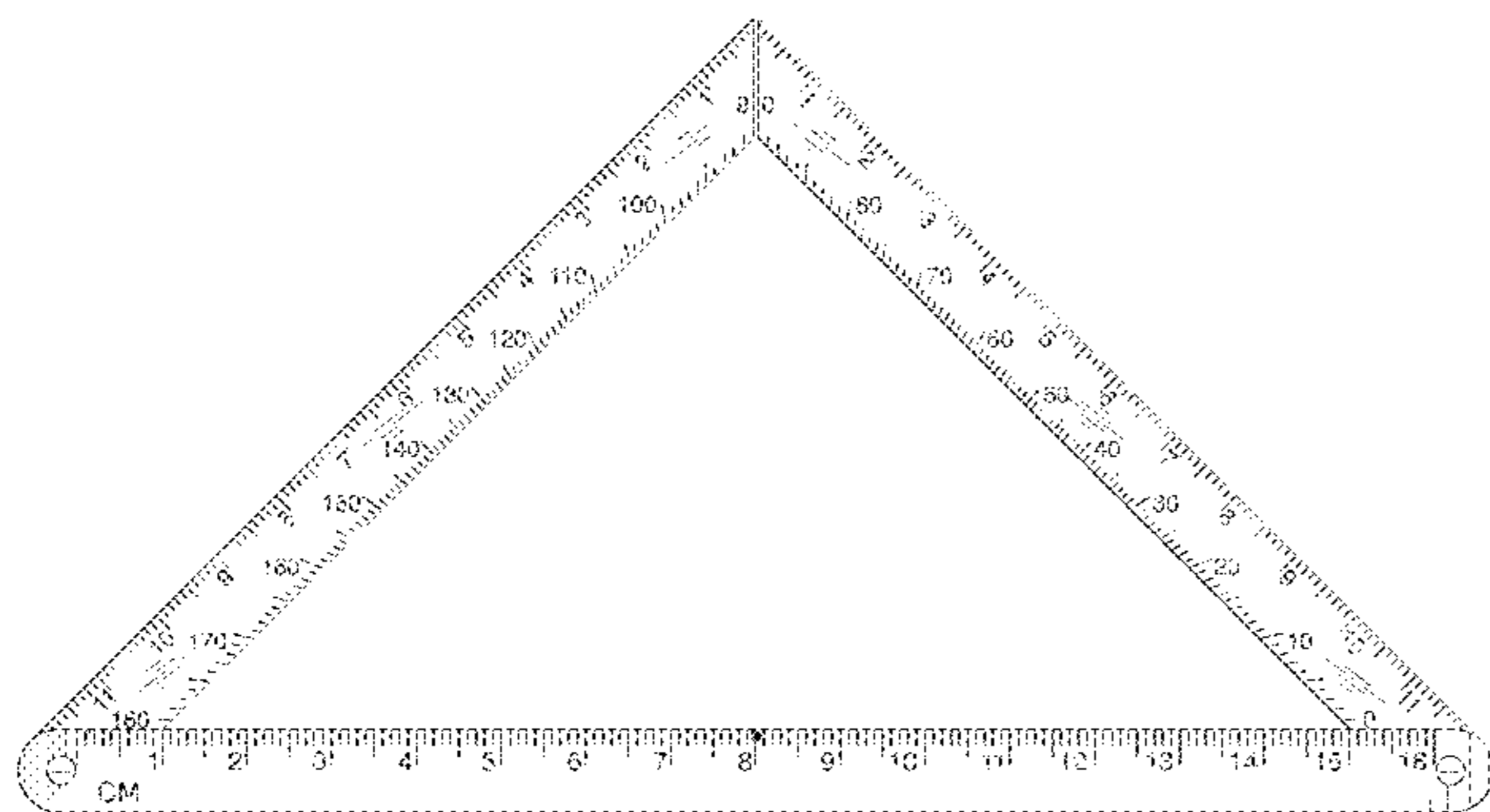
(57) **CLAIM**

The ornamental design for a foldable triangle protractor, as shown and described.

DESCRIPTION

FIG. 1 is a front elevation view of a foldable triangle protractor showing our new design; FIG. 2 is left side elevational view, the right side elevational view being mirror image thereof; FIG. 3 is a top plan view, the bottom plan view being mirror image thereof; FIG. 4 is a perspective view thereof; FIG. 5 is a front elevation view thereof with foldable triangle protractor in half-folded position; FIG. 6 is a front elevation view thereof with foldable triangle protractor in fully folded position; and, FIG. 7 is a rear elevation view thereof.

1 Claim, 7 Drawing Sheets



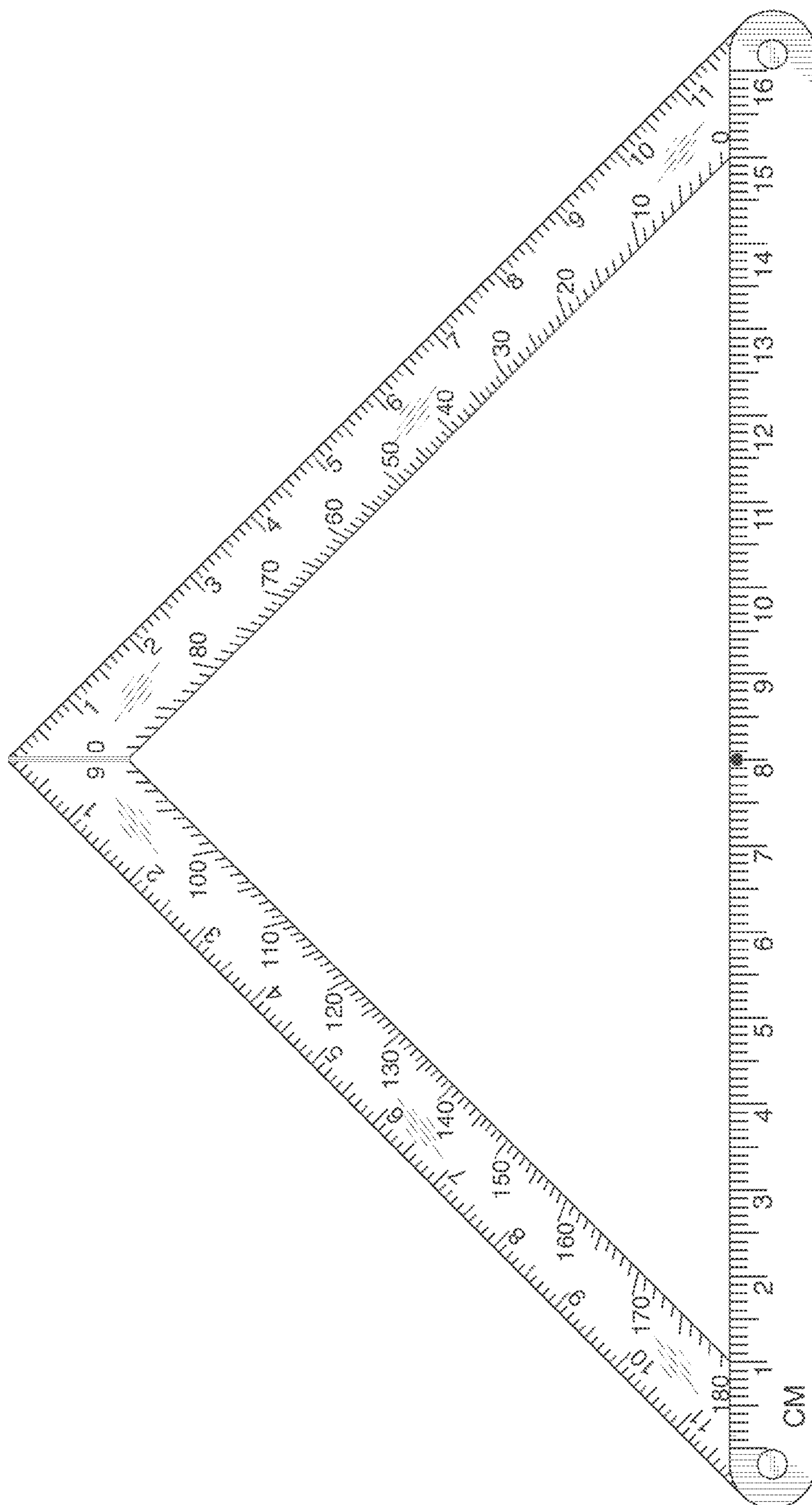


FIG. 1

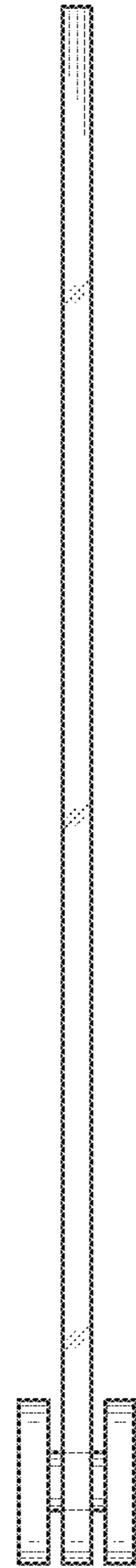


FIG. 2

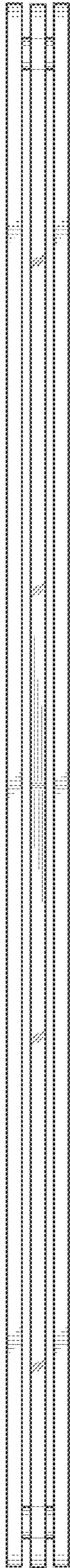


FIG. 3

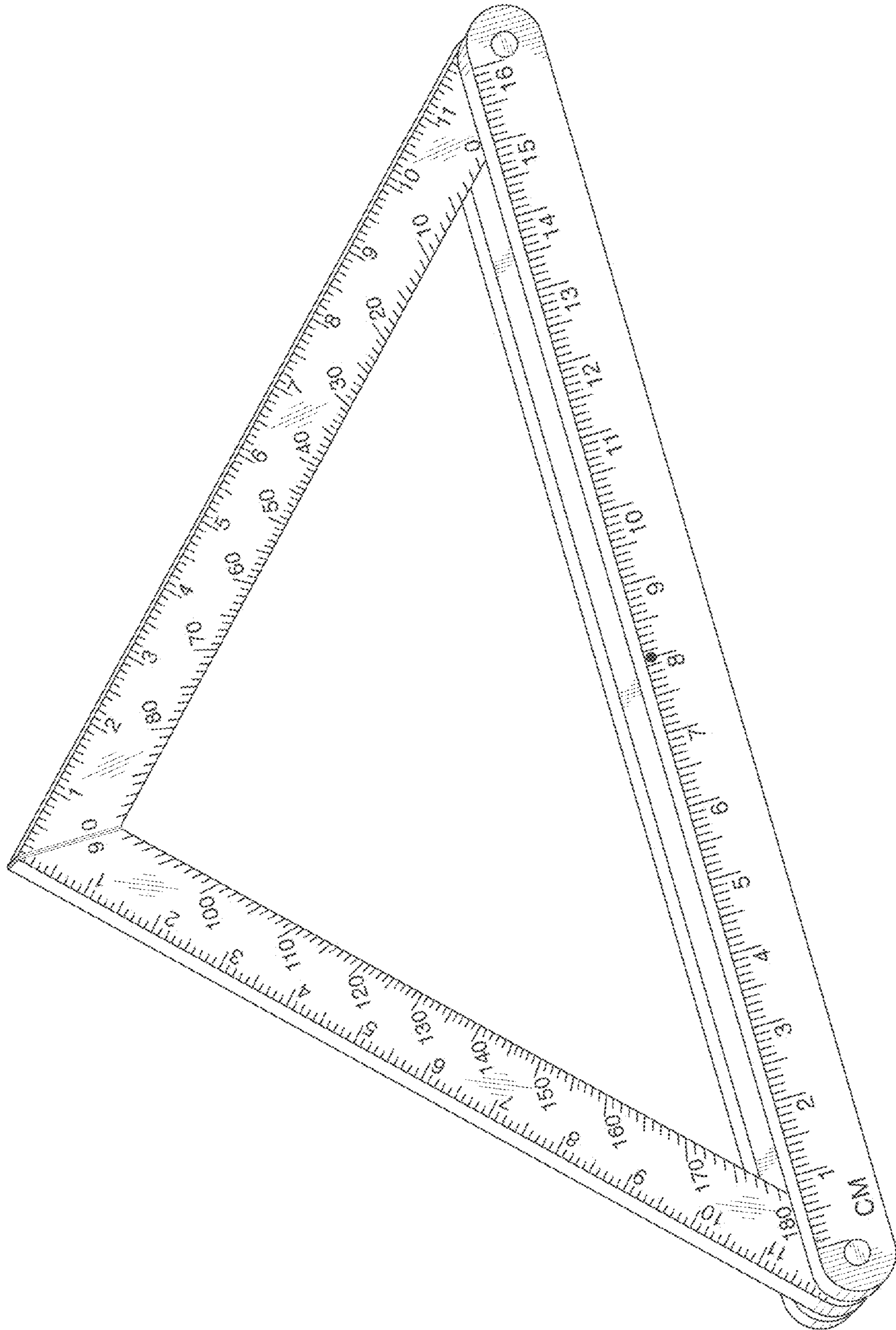


FIG. 4

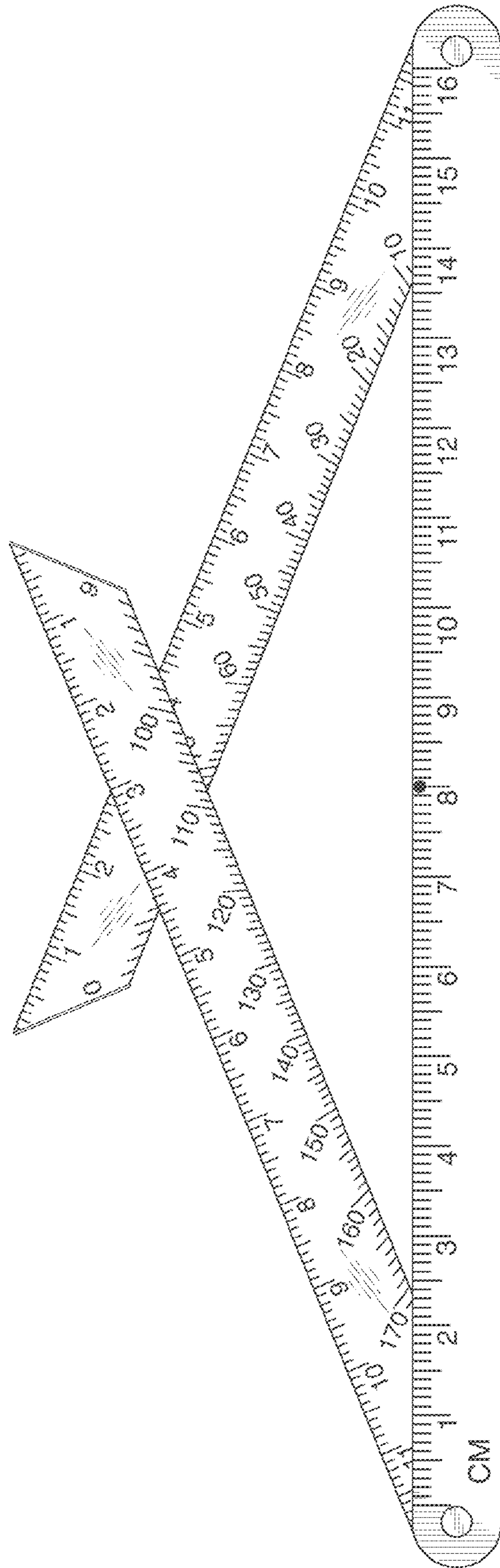


FIG. 5

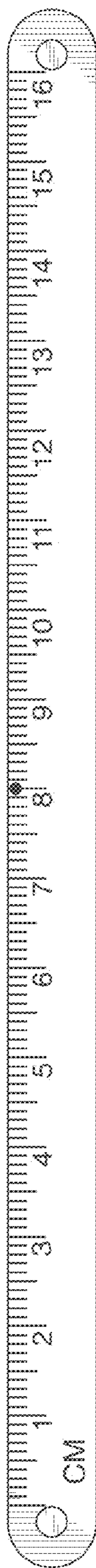


FIG. 6

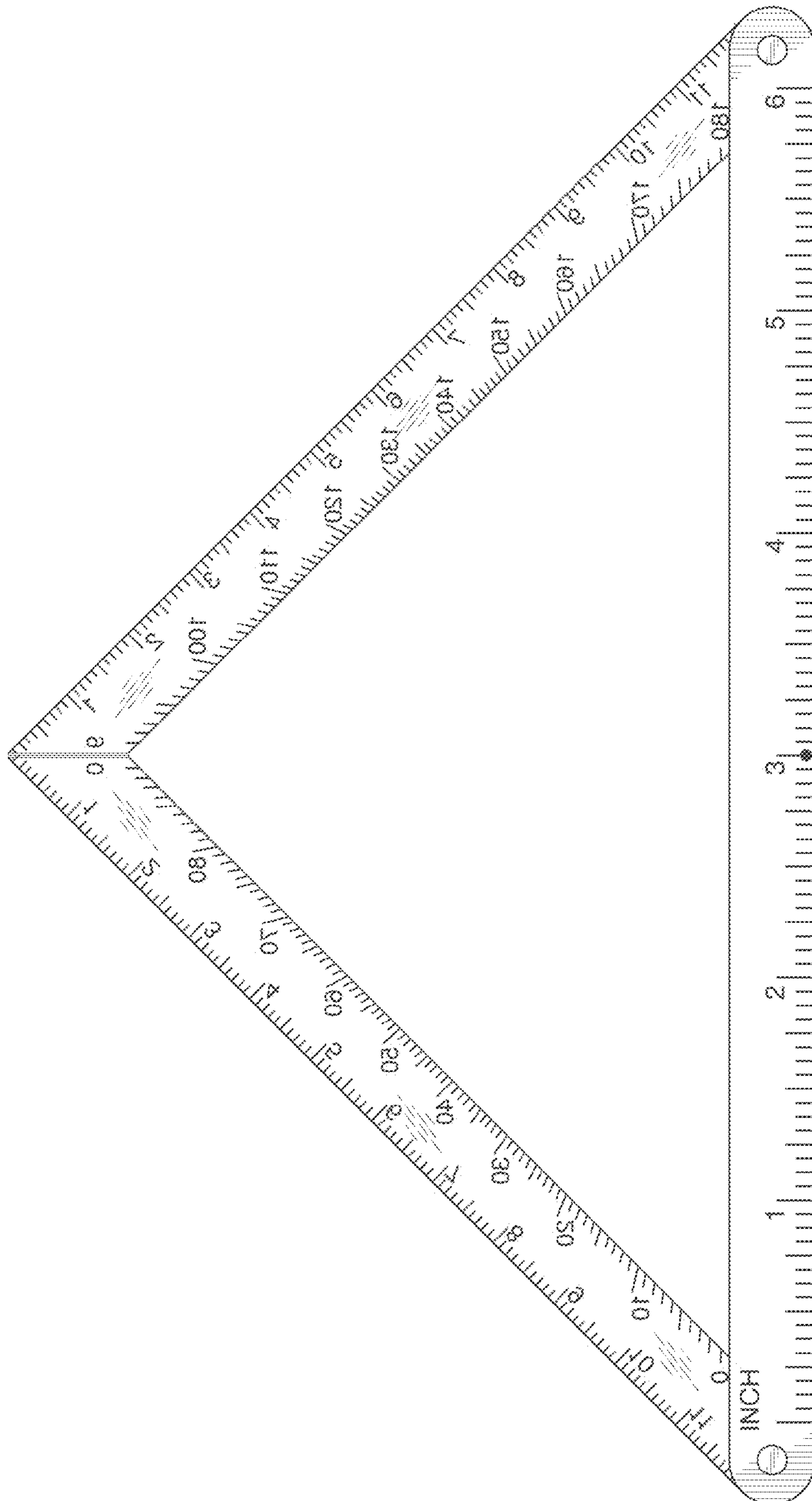


FIG. 7