



US00D933501S

(12) **United States Design Patent**
Chi

(10) **Patent No.:** **US D933,501 S**

(45) **Date of Patent:** **** Oct. 19, 2021**

(54) **TIMER**

(71) Applicant: **HANGZHOU JINGCHENG SANHE
TIMER INDUSTRY CO., LTD.,**
Hangzhou (CN)

(72) Inventor: **Hanjun Chi**, Hangzhou (CN)

(73) Assignee: **HANGZHOU JINGCHENG SANHE
TIMER INDUSTRY CO., LTD.,**
Zhejiang (CN)

(**) Term: **15 Years**

(21) Appl. No.: **29/706,050**

(22) Filed: **Sep. 17, 2019**

(51) **LOC (13) Cl.** **10-03**

(52) **U.S. Cl.**
USPC **D10/40**

(58) **Field of Classification Search**
USPC .. D10/1, 2, 21-29, 40, 41, 46.1, 83, 85, 87;
D21/531

CPC G04B 19/20; G04B 19/202; G04B 19/205;
G04B 19/28; G04B 19/283; G04B
19/286; G04G 17/00; G04G 17/08; G04G
17/086; G04C 17/00-02

See application file for complete search history.

(56) **References Cited**

U.S. PATENT DOCUMENTS

D208,930 S * 10/1967 Johnson D10/40
D235,008 S * 4/1975 Ishikawa D10/40

D248,092 S * 6/1978 Fujita D10/40
D499,969 S * 12/2004 Neiger D10/26
D513,024 S * 12/2005 Christianson G04D 7/009
D15/199
D546,201 S * 7/2007 Bhavnani D10/15
D770,310 S * 11/2016 Rogers D10/40
D785,471 S * 5/2017 Rogers D10/40
D796,349 S * 9/2017 Rogers G04D 7/009
D10/40
10,303,123 B1 * 5/2019 Rogers G09B 19/12
D912,551 S * 3/2021 Rogers D10/40
D915,224 S * 4/2021 Rogers G09B 19/12
D10/40

* cited by examiner

Primary Examiner — George D. Kirschbaum

Assistant Examiner — Joseph J Kukella

(74) *Attorney, Agent, or Firm* — PROI Intellectual
Property US; Klaus Michael Schmid

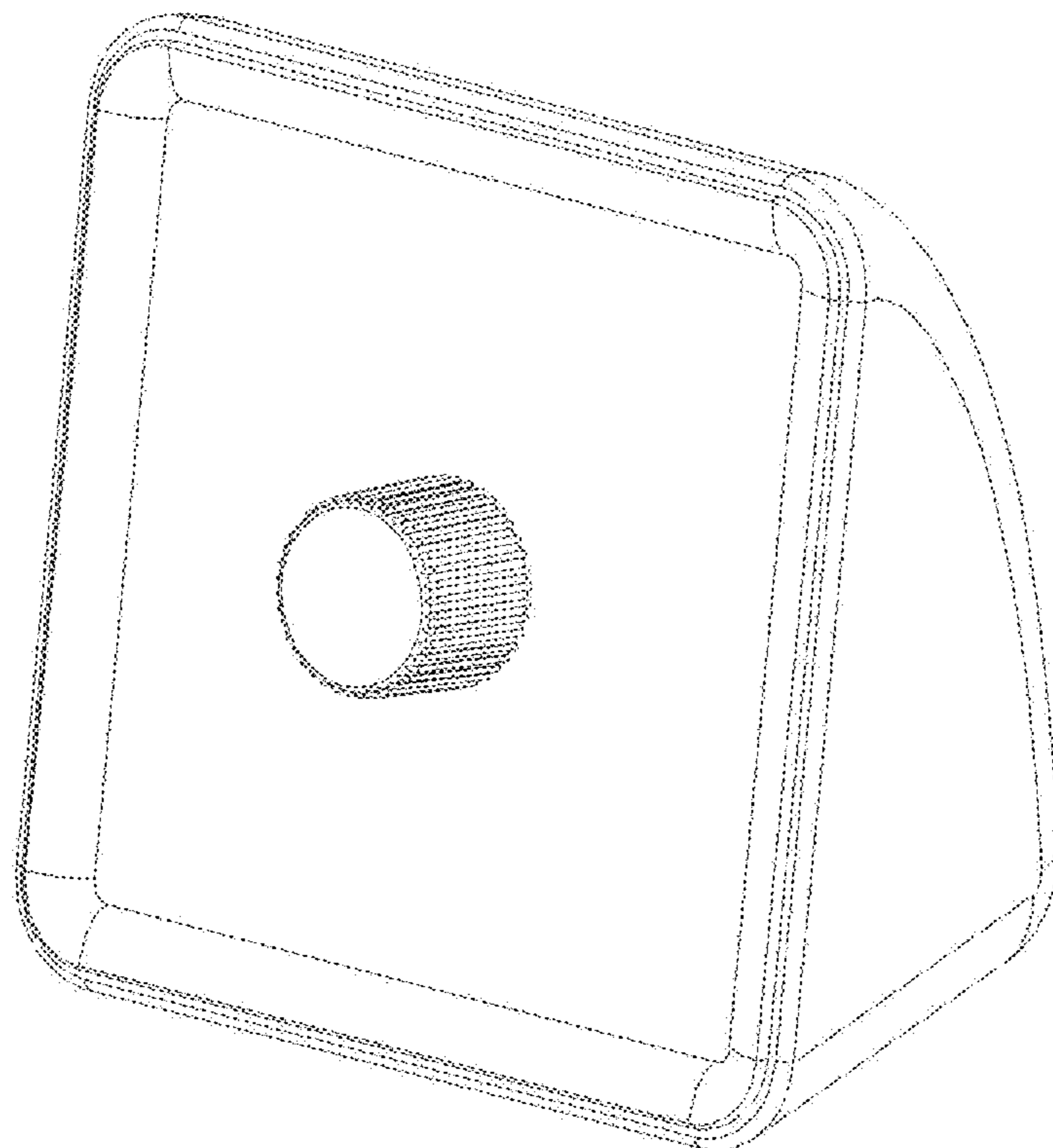
(57) **CLAIM**

The ornamental design for a timer, as shown and described.

DESCRIPTION

FIG. 1 is a perspective front view of a timer;
FIG. 2 is a front view thereof;
FIG. 3 is a rear view thereof;
FIG. 4 is a top view thereof;
FIG. 5 is a bottom view thereof;
FIG. 6 is a right side view thereof; and,
FIG. 7 is a left side view thereof.

1 Claim, 7 Drawing Sheets



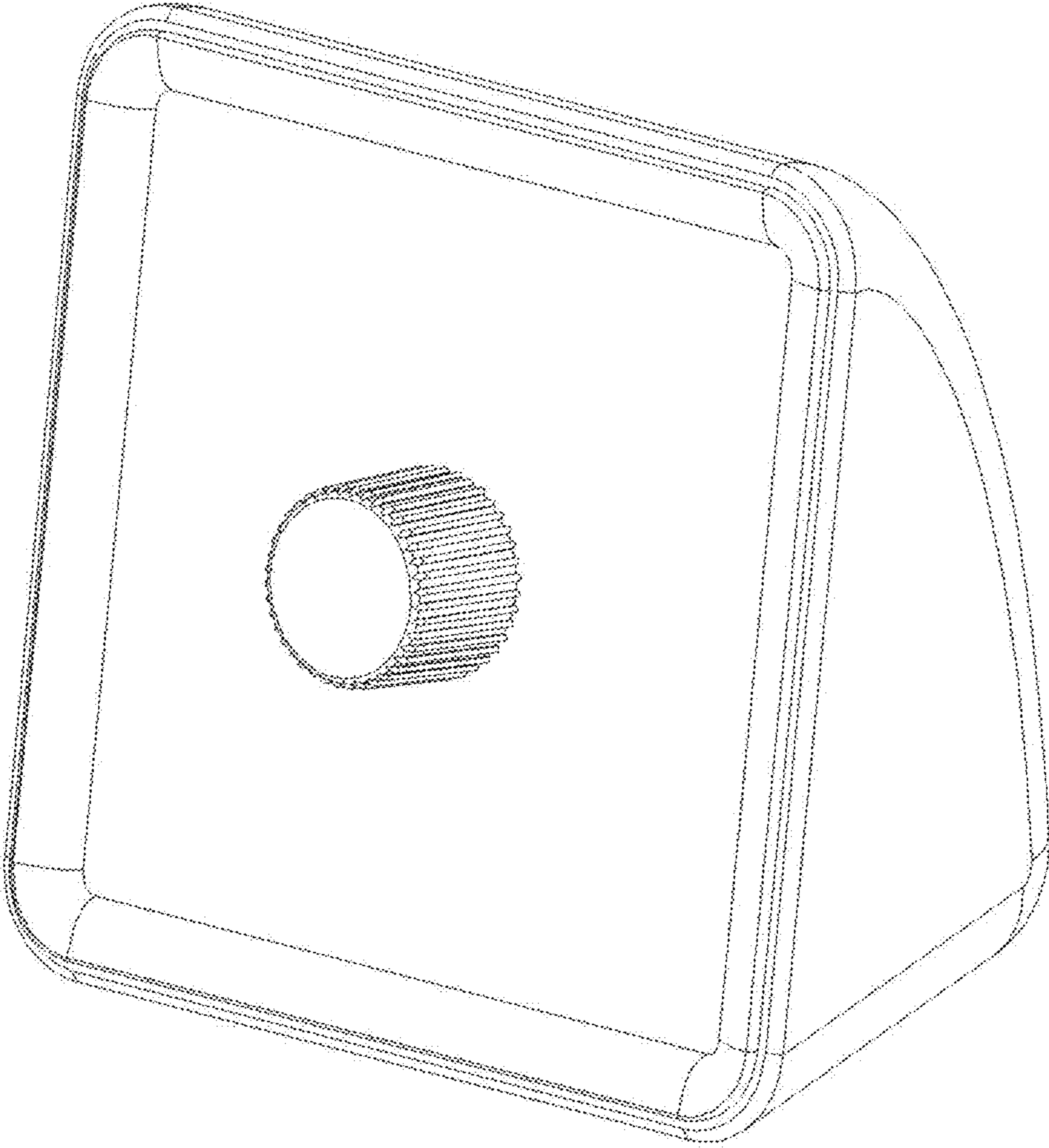


Fig. 1

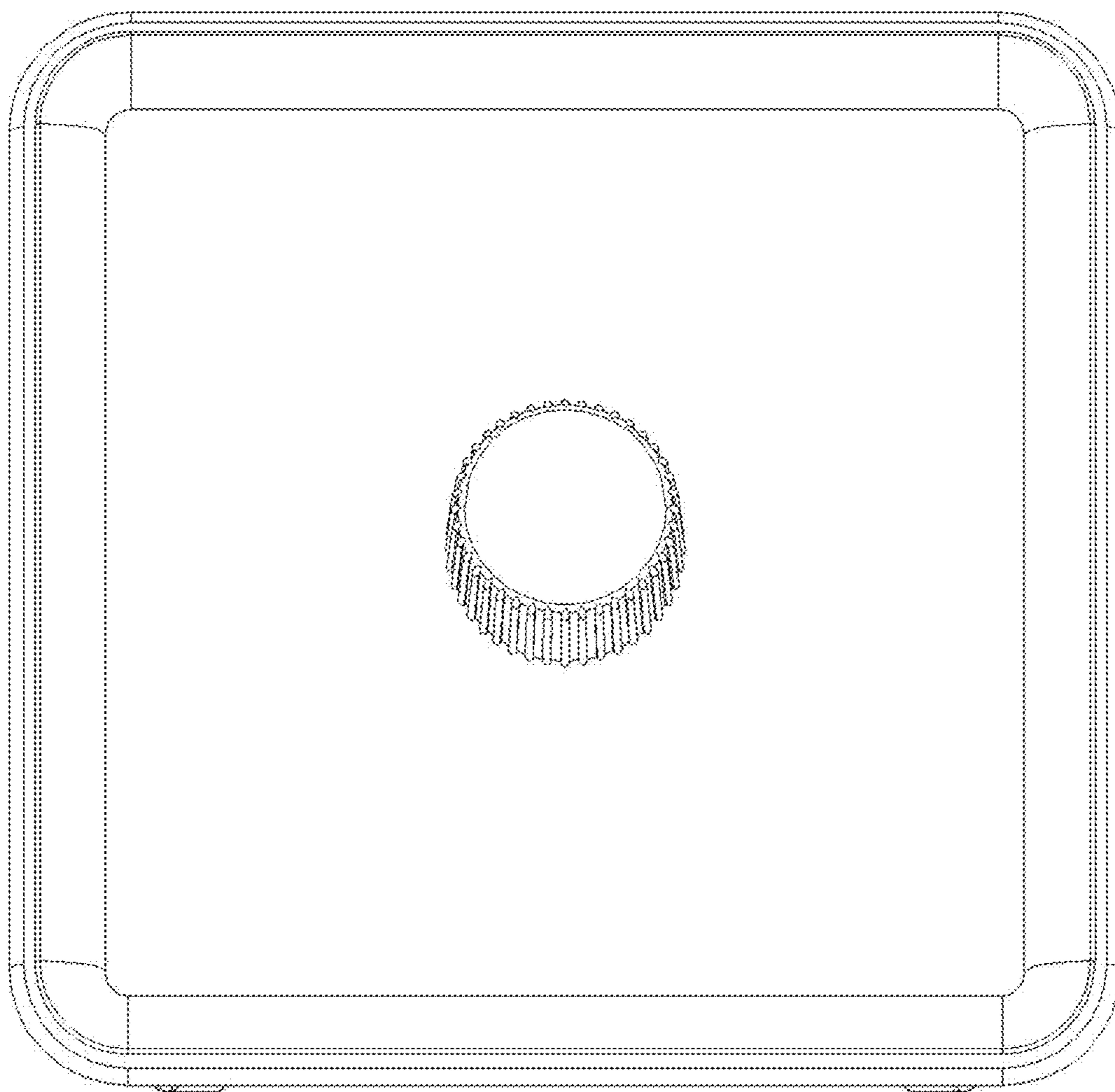


Fig. 2

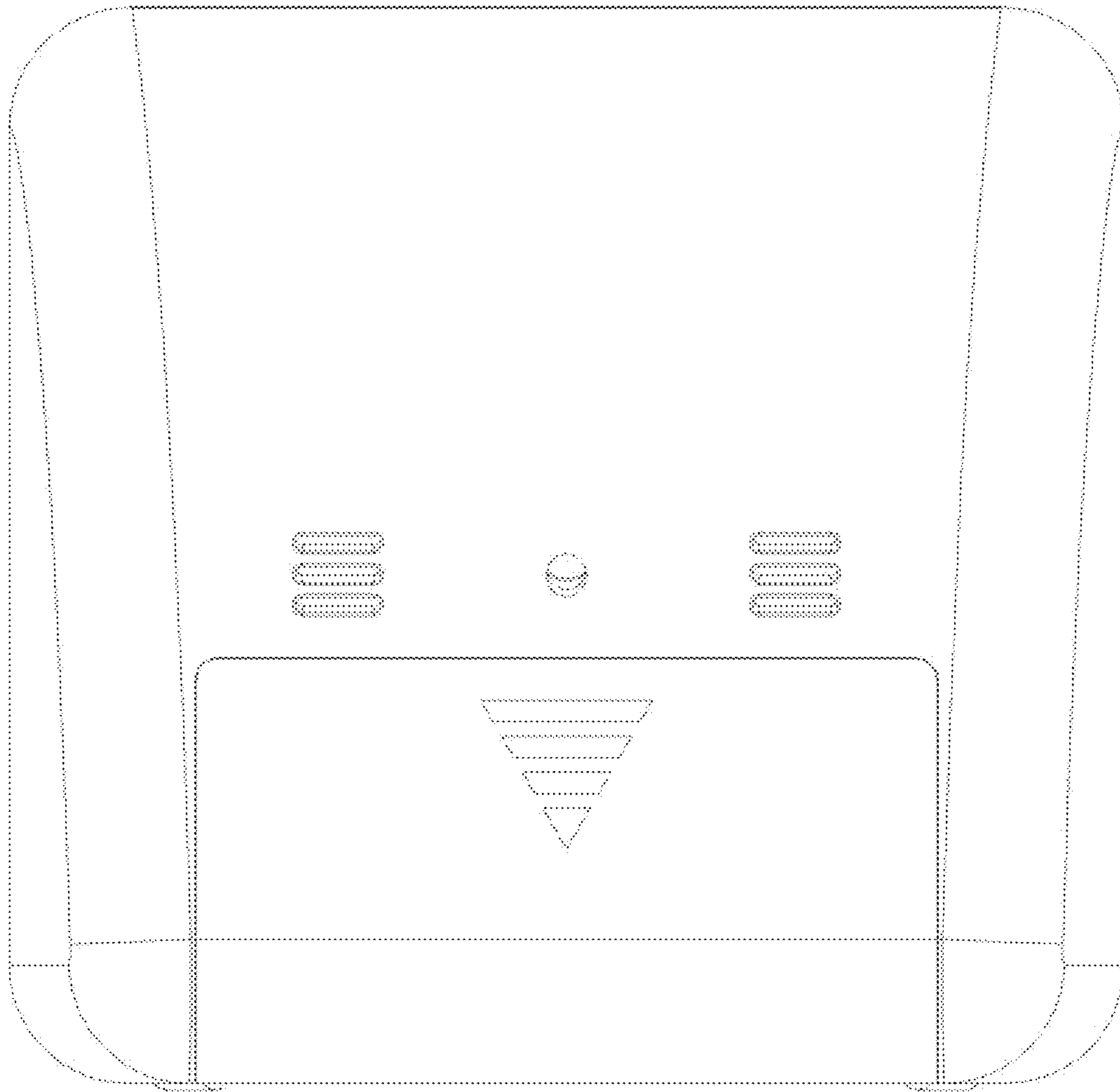


Fig. 3

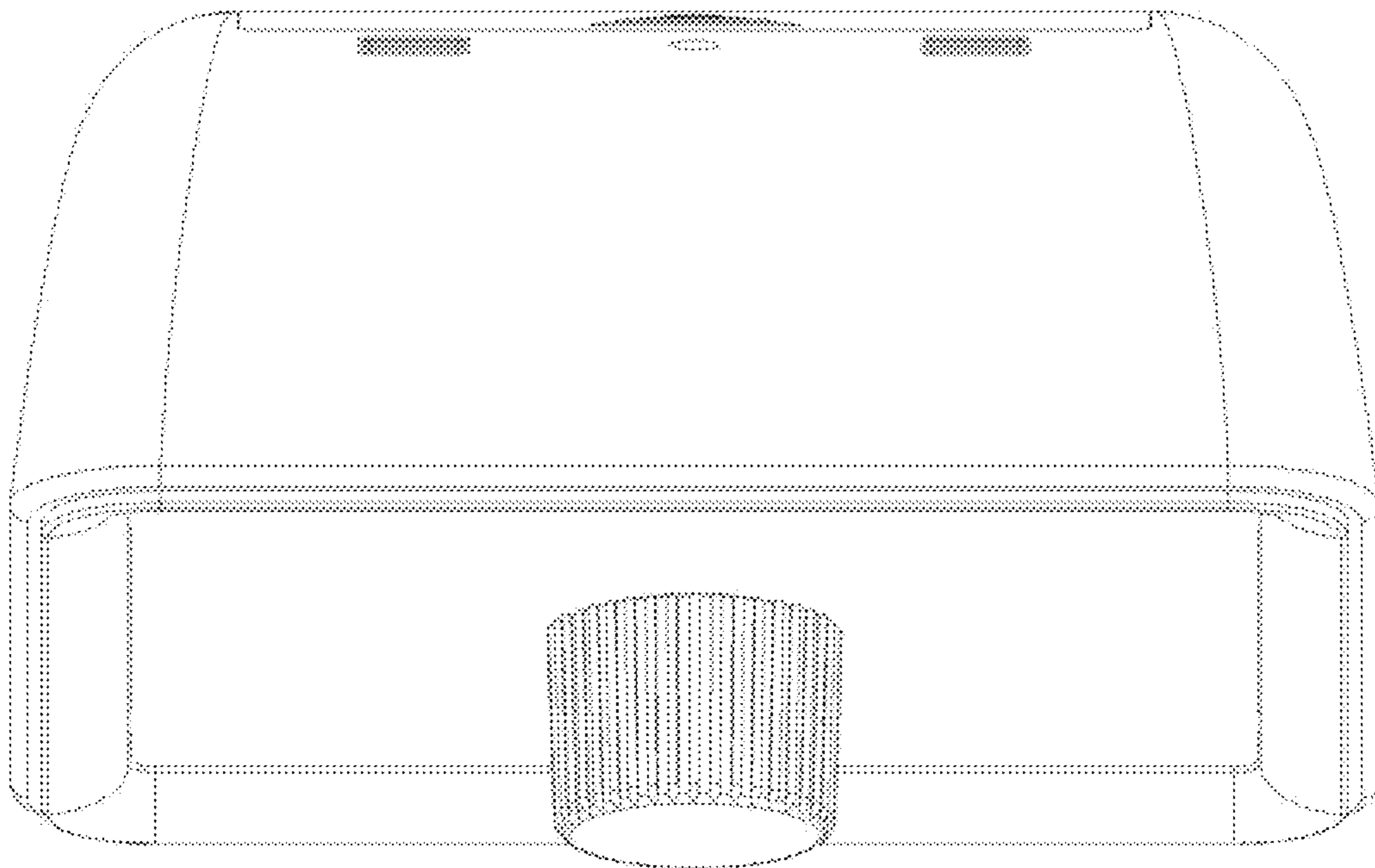


Fig. 4

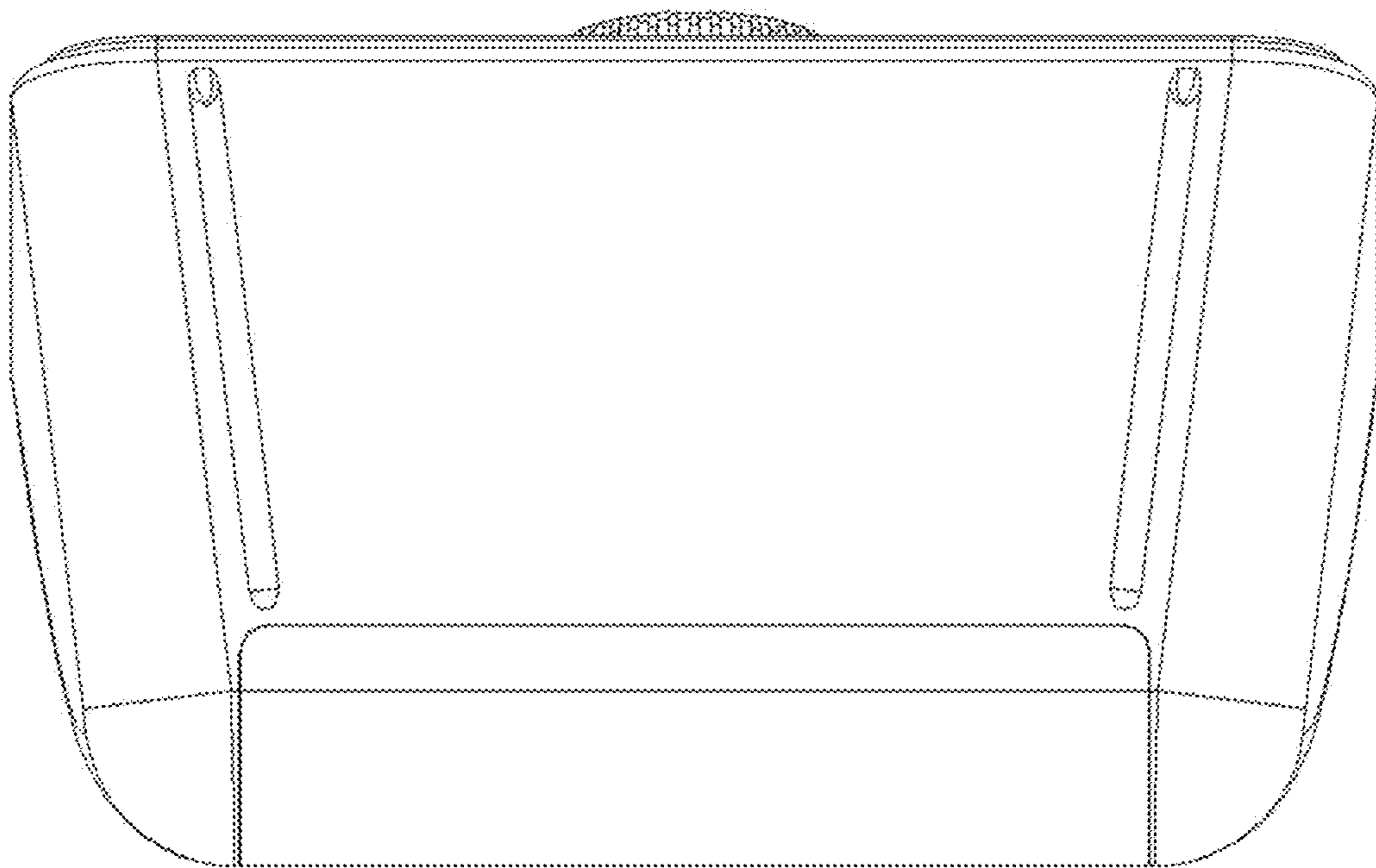


Fig. 5

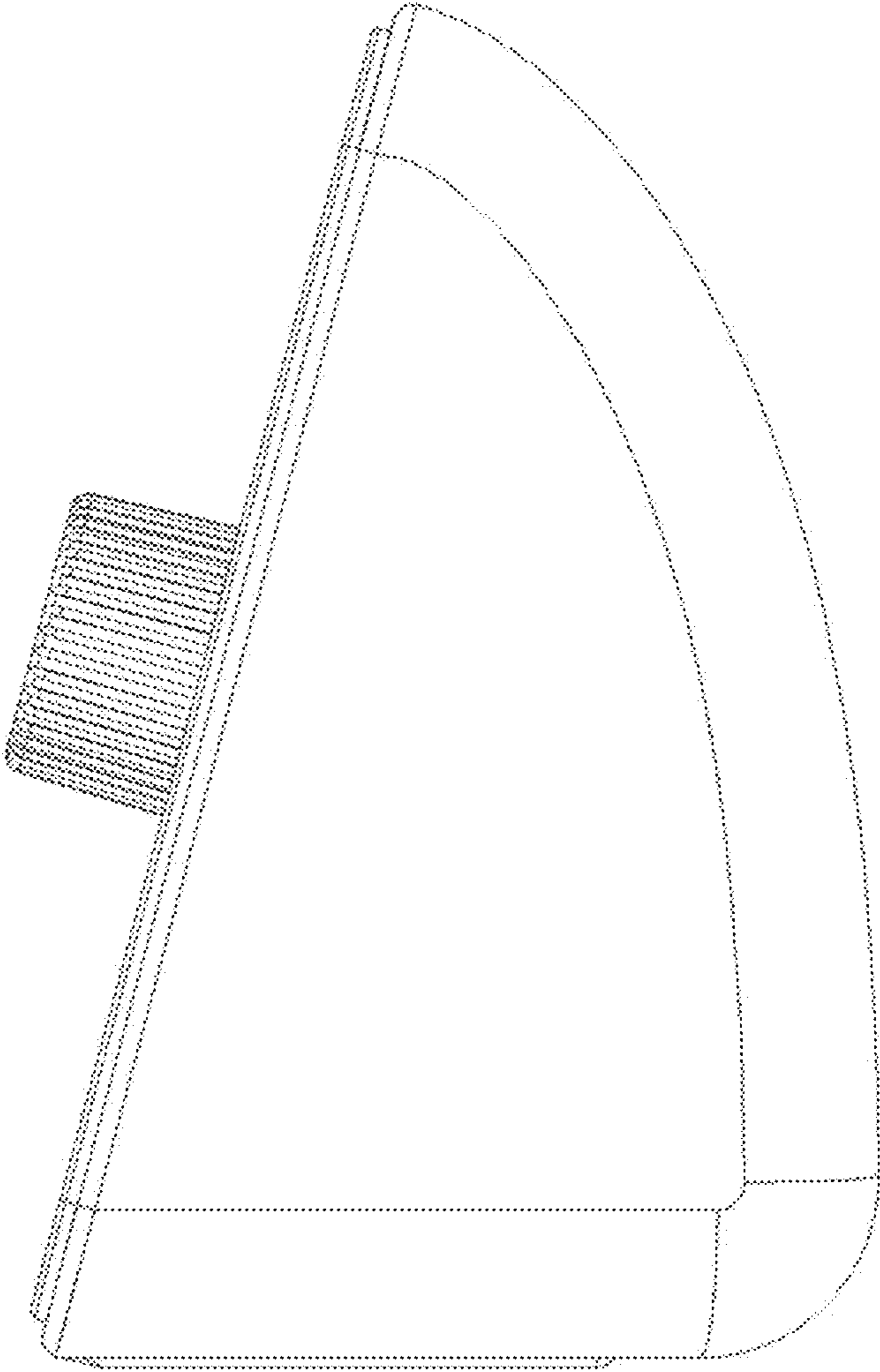


Fig. 6

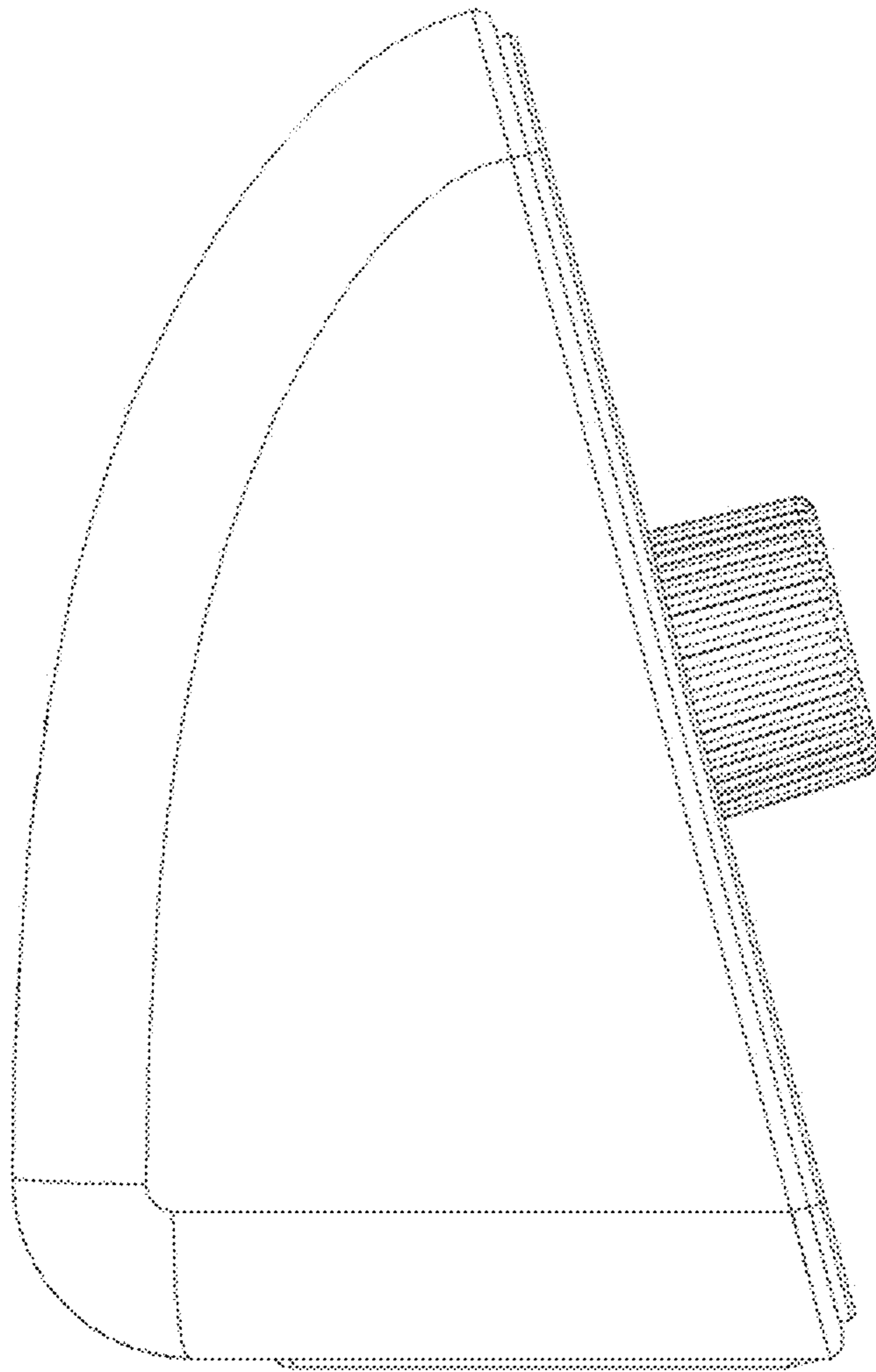


Fig. 7