



US00D933499S

(12) **United States Design Patent** (10) **Patent No.:** **US D933,499 S**
Ford et al. (45) **Date of Patent:** **** Oct. 19, 2021**

(54) **WATCH**

(74) *Attorney, Agent, or Firm* — Goodwin Procter LLP

(71) Applicant: **TOM FORD INTERNATIONAL, LLC**, New York, NY (US)

(57) **CLAIM**

The ornamental design for a watch, as shown and described.

(72) Inventors: **Thomas C. Ford**, Los Angeles, CA (US); **Brandon Little**, New York, NY (US); **Antoine Sandoz**, New York, NY (US)

DESCRIPTION

(73) Assignee: **TOM FORD INTERNATIONAL, LLC**, New York, NY (US)

FIG. 1 is a top perspective view of a watch, according to a first embodiment;

(**) Term: **15 Years**

FIG. 2 is a front view of the watch, according to the first embodiment;

(21) Appl. No.: **29/699,780**

FIG. 3 is a rear view of the watch, according to the first embodiment;

(22) Filed: **Jul. 29, 2019**

FIG. 4 is a right side view of the watch, according to the first embodiment;

(51) **LOC (13) Cl.** **10-02**

FIG. 5 is a left side view of the watch, according to the first embodiment;

(52) **U.S. Cl.**

FIG. 6 is a top view of the watch, according to the first embodiment;

USPC **D10/38**

FIG. 7 is a bottom view of the watch, according to the first embodiment;

(58) **Field of Classification Search**

USPC D10/1, 2, 15, 30, 31, 32, 33, 34, 35, 36, D10/37, 38, 39; D14/138 R, 137, 344

FIG. 8 is a bottom perspective view of the watch, according to the first embodiment;

(Continued)

FIG. 9 is a top perspective view of a watch, according to a second embodiment;

(56) **References Cited**

U.S. PATENT DOCUMENTS

D74,825 S * 4/1928 Cramer D10/33
D222,784 S * 12/1971 Kurth D10/39

FIG. 10 is a front view of the watch, according to the second embodiment;

(Continued)

FIG. 11 is a rear view of the watch, according to the second embodiment;

OTHER PUBLICATIONS

Rescapement, Tom Ford Releases Its First Automatic Watch, posted May 6, 2019, [online], [visited Jun. 2, 2021]. Internet, <URL: <https://www.rescapement.com/blog/tom-ford-releases-its-first-automatic-watch>> (Year: 2019).*

FIG. 12 is a right side view of the watch, according to the second embodiment;

FIG. 13 is a left side view of the watch, according to the second embodiment;

FIG. 14 is a top view of the watch, according to the second embodiment;

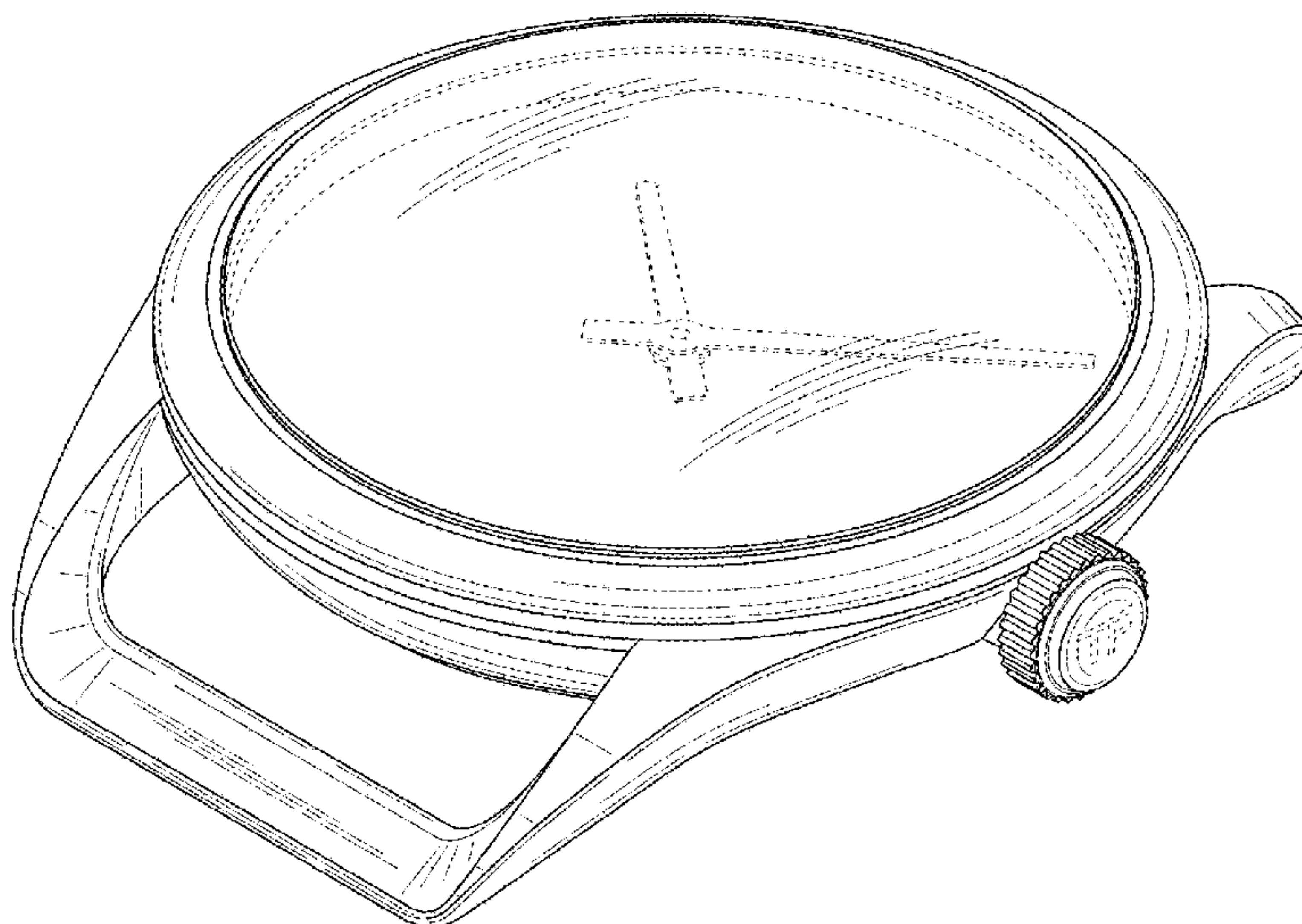
FIG. 15 is a bottom view of the watch, according to the second embodiment; and,

FIG. 16 is a bottom perspective view of the watch, according to the second embodiment.

The broken lines shown in the drawings illustrate the environment of the claimed design and form no part thereof.

Primary Examiner — Sheryl Lane
Assistant Examiner — Samantha N Wood

1 Claim, 12 Drawing Sheets



(58) **Field of Classification Search**

CPC G04G 17/00; G04G 17/02; G04G 17/04;
G04G 17/08; A63B 24/0062; G04C
17/00; G04C 17/0008; G04C 17/0016;
G04C 17/0091; G04B 19/00; G04B
19/06; G04B 19/065; G04B 19/08; G04B
19/10

See application file for complete search history.

(56) **References Cited**

U.S. PATENT DOCUMENTS

D417,158	S	*	11/1999	Krauss	D10/30
D430,040	S	*	8/2000	Fox	D10/30
D457,818	S	*	5/2002	Avranches	D10/39
D530,628	S	*	10/2006	Raffy	D10/32
D543,122	S	*	5/2007	Lafever	D10/32
D547,679	S	*	7/2007	Juhng	D10/38
D578,901	S	*	10/2008	Laucella	D10/38
D740,137	S	*	10/2015	Syoubayashi	D10/38
D749,431	S	*	2/2016	Babcock	D10/30
D809,938	S	*	2/2018	Hou	D10/30

* cited by examiner

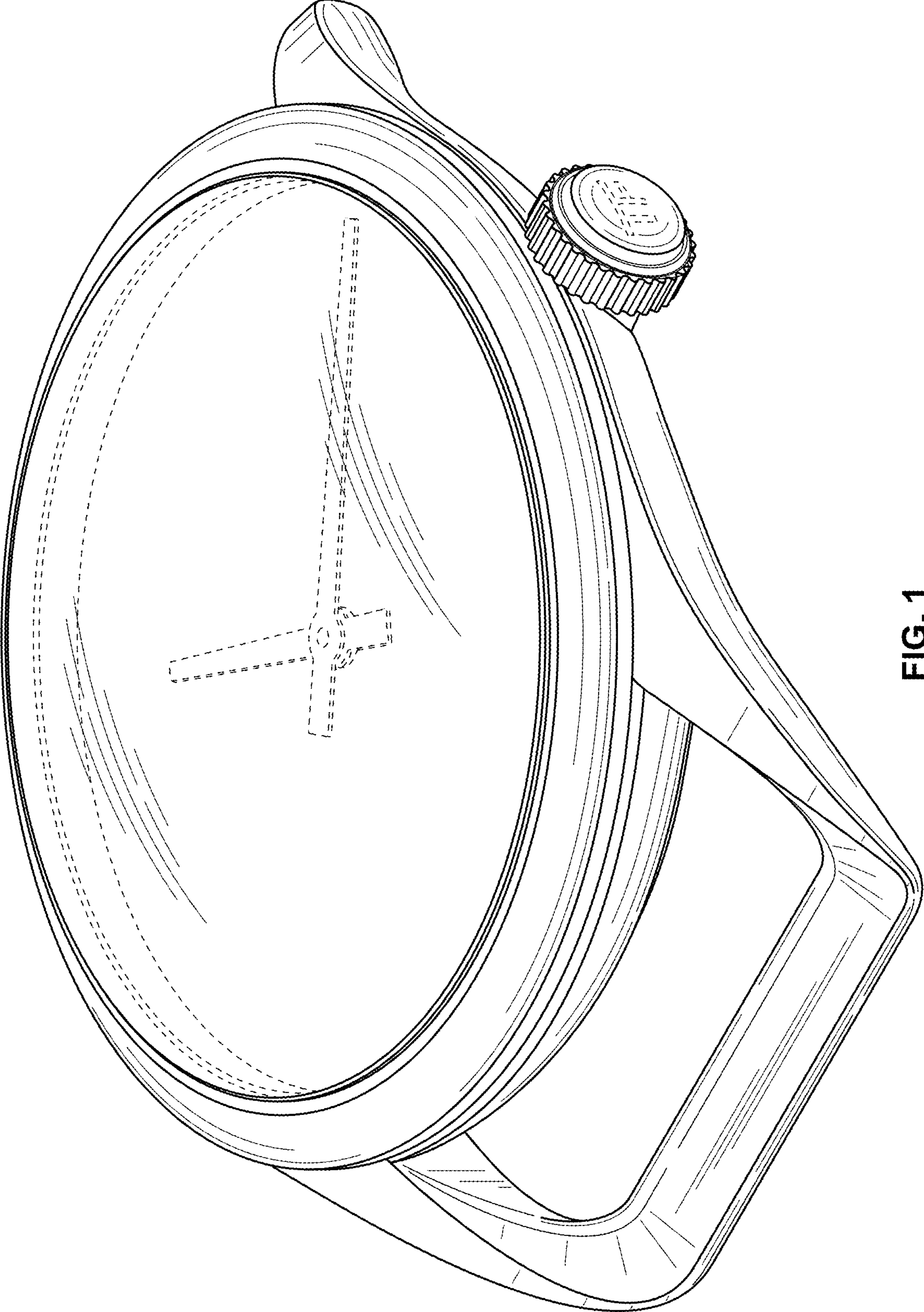


FIG. 1

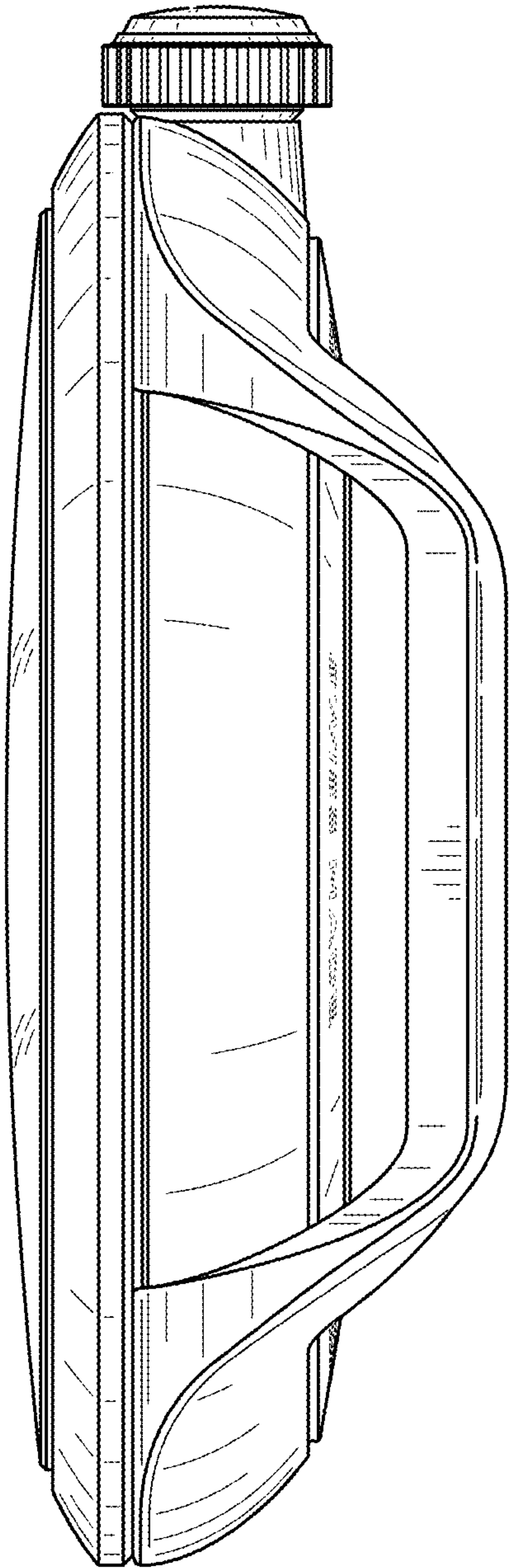


FIG. 2

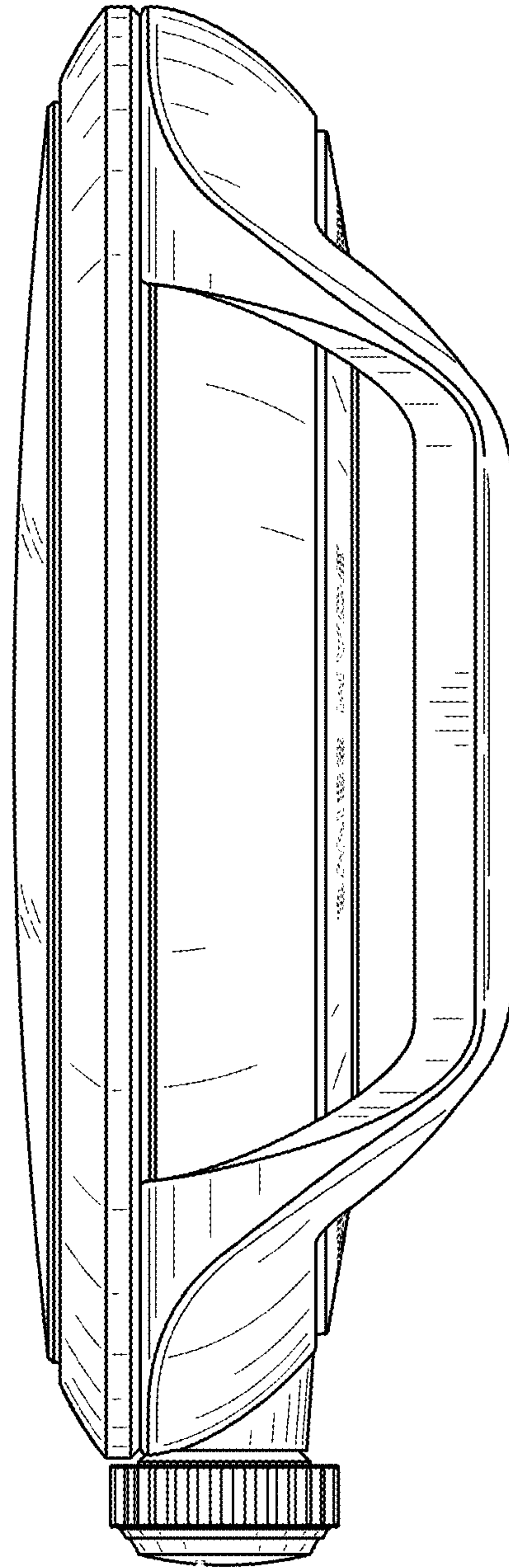


FIG. 3

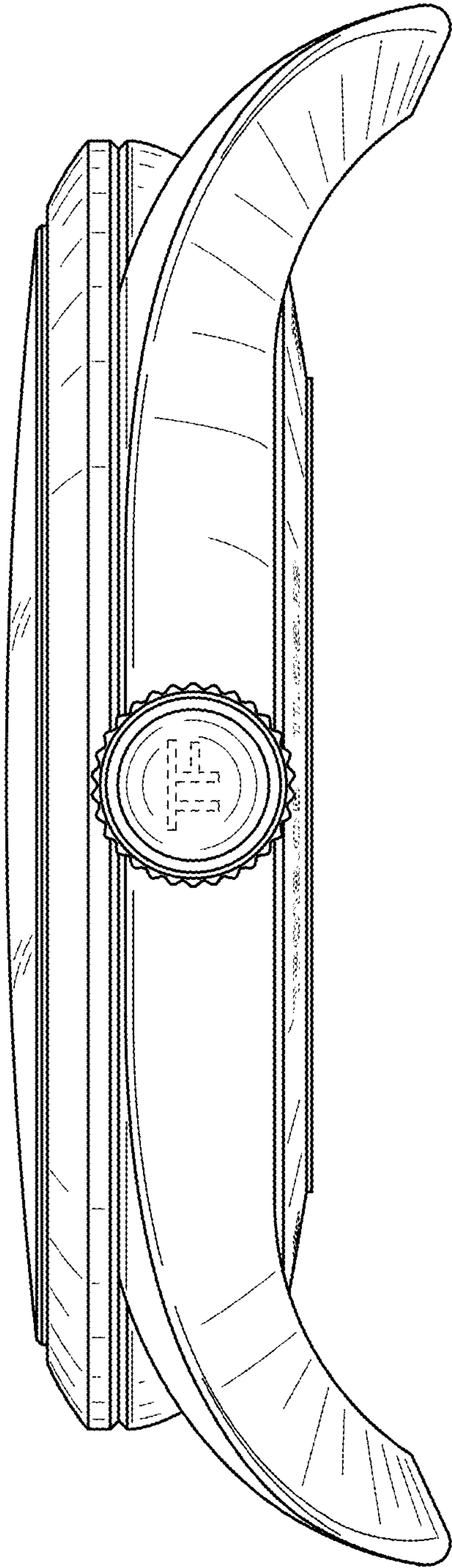


FIG. 4

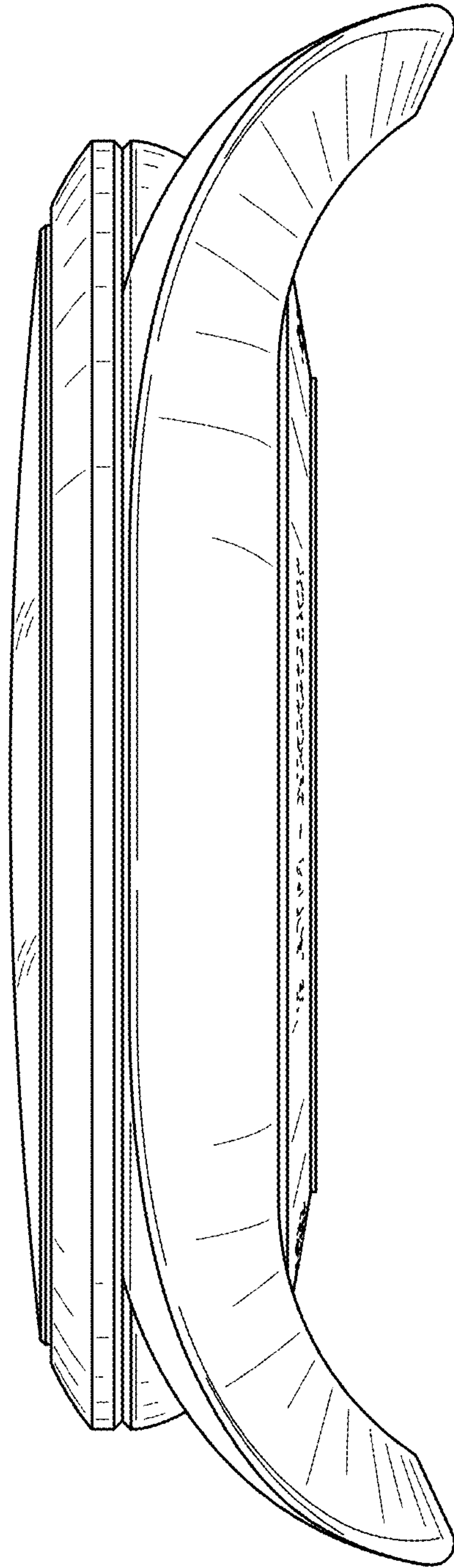


FIG. 5

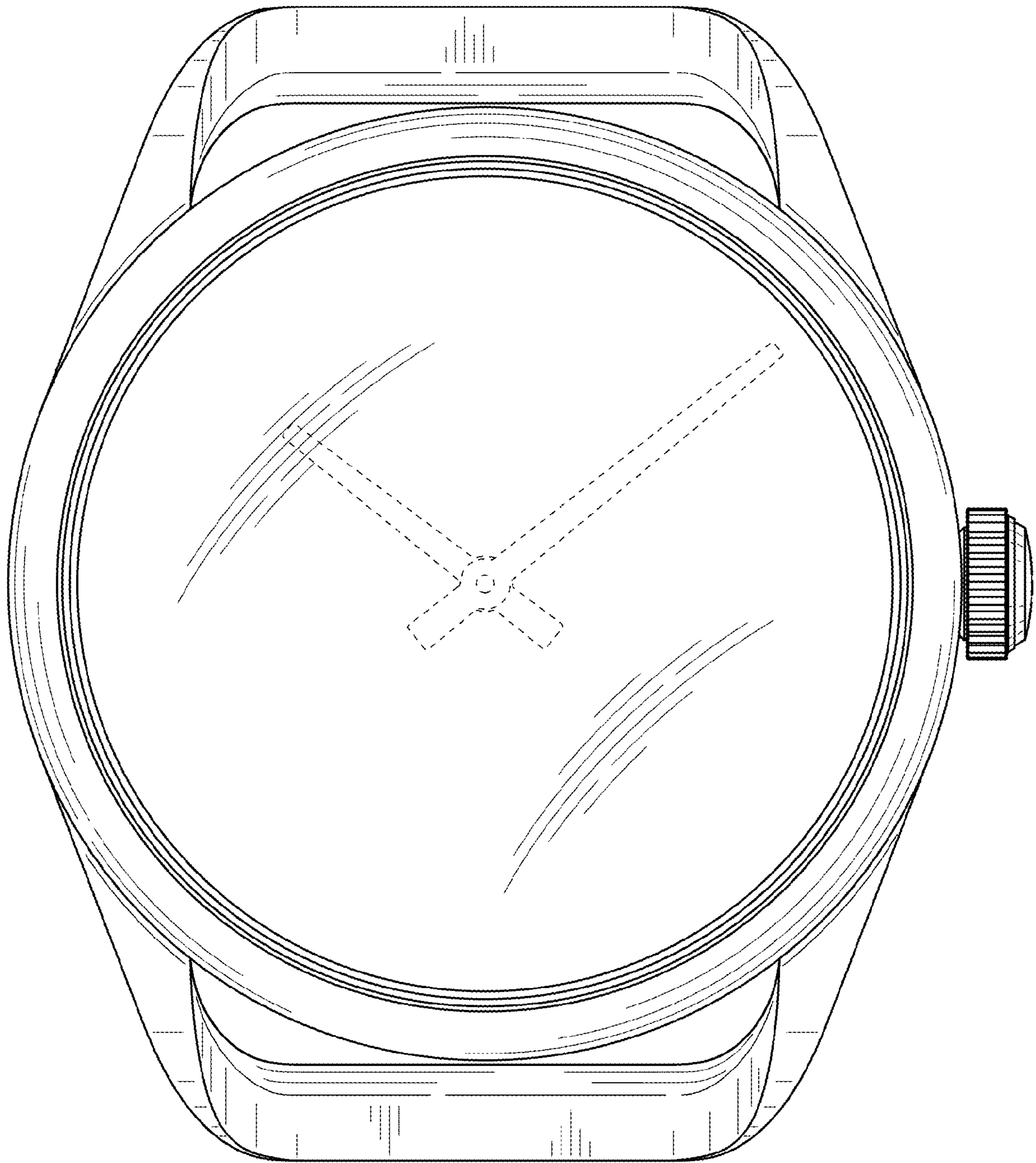


FIG. 6

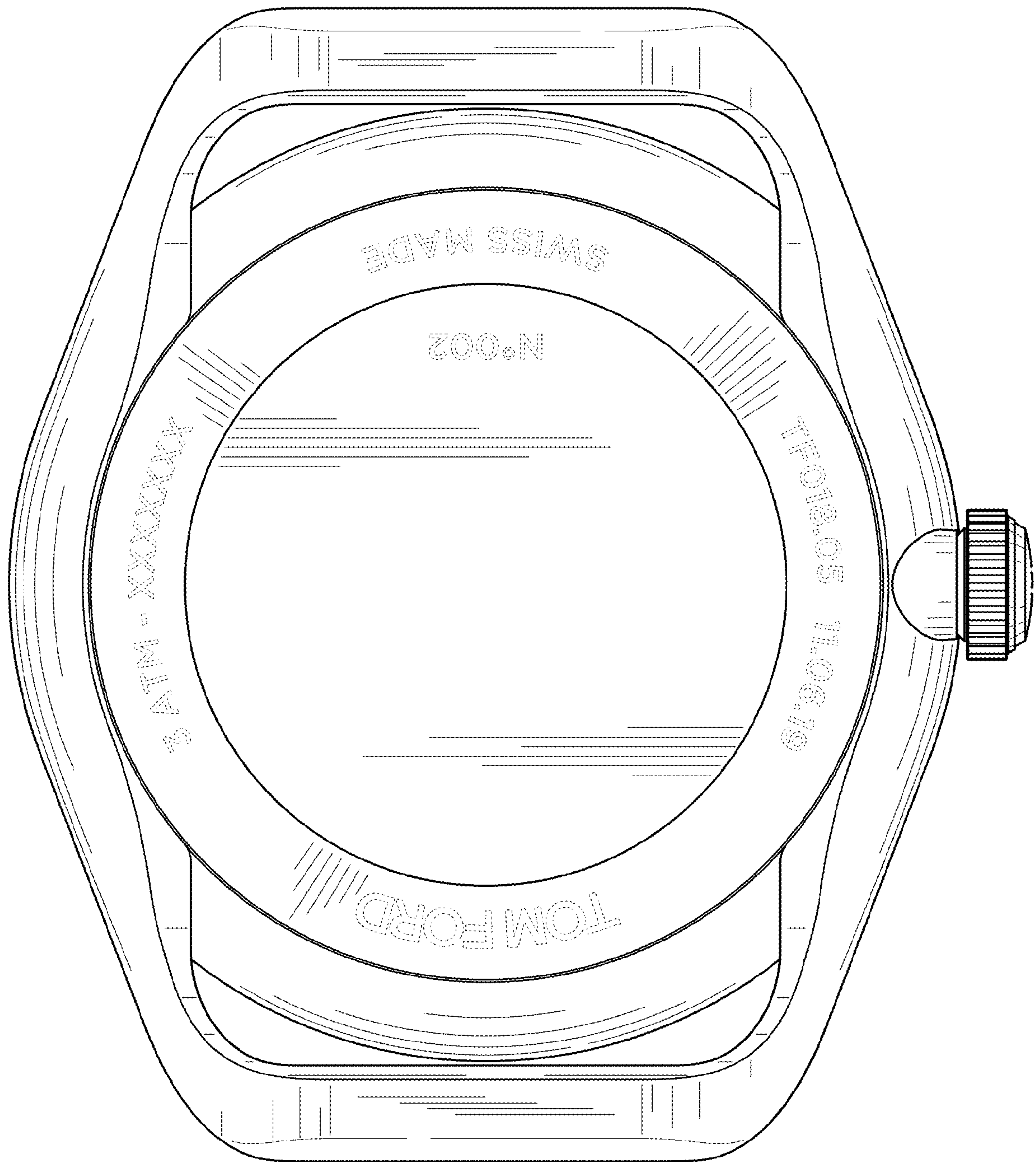


FIG. 7

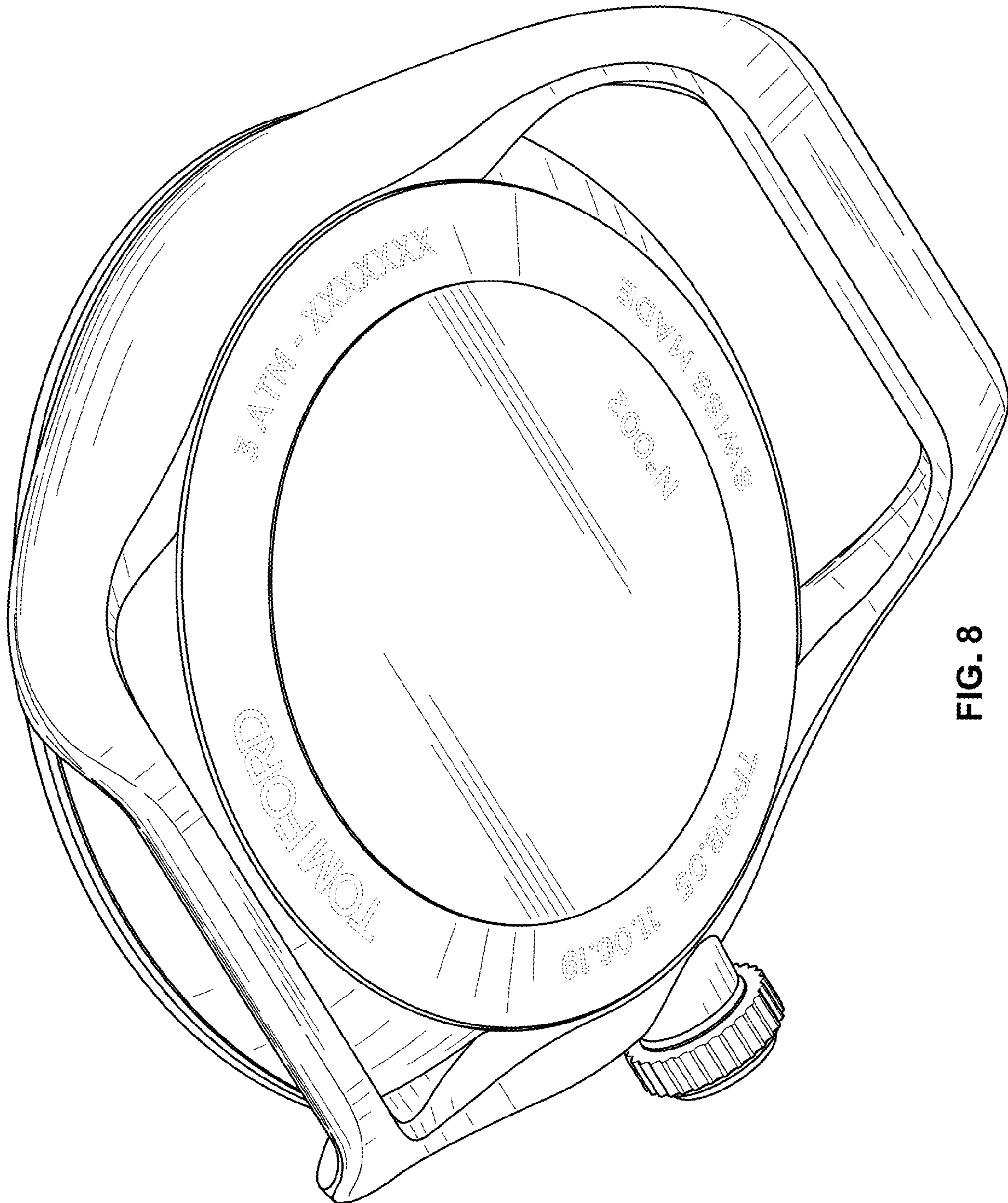


FIG. 8

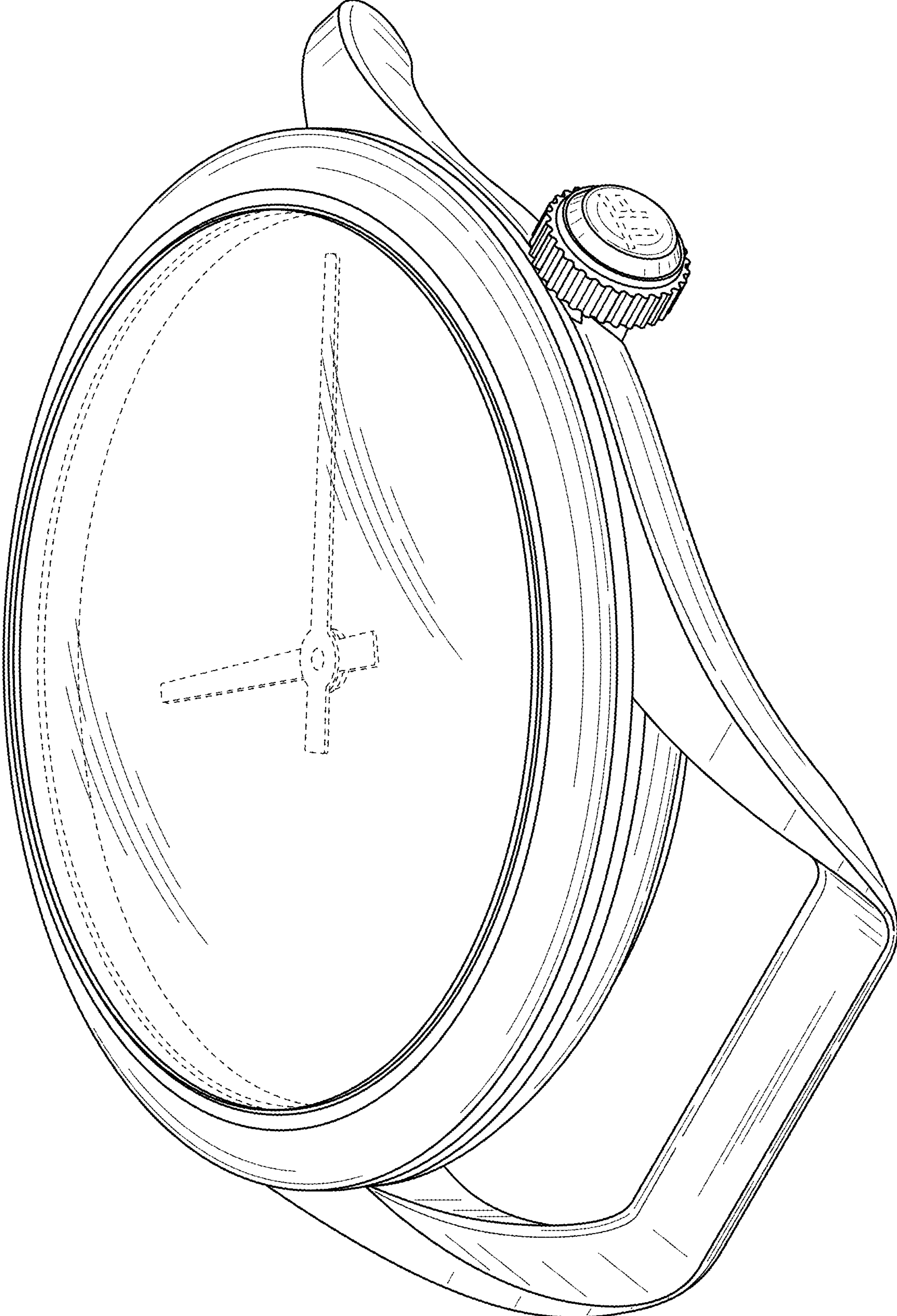


FIG. 9

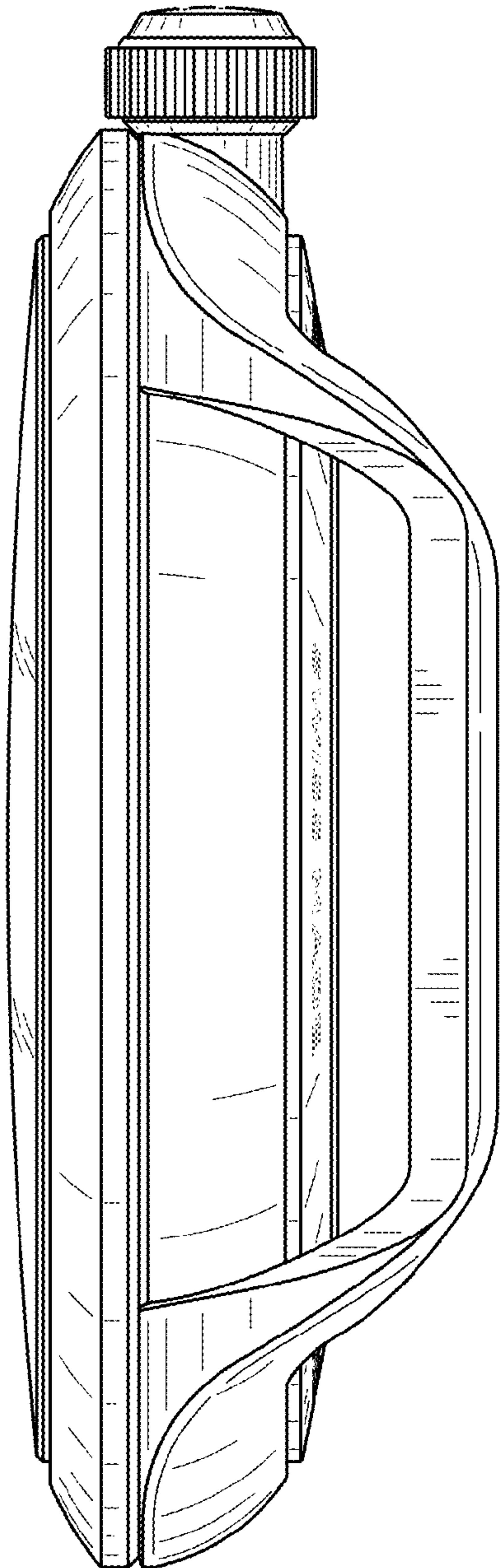


FIG. 10

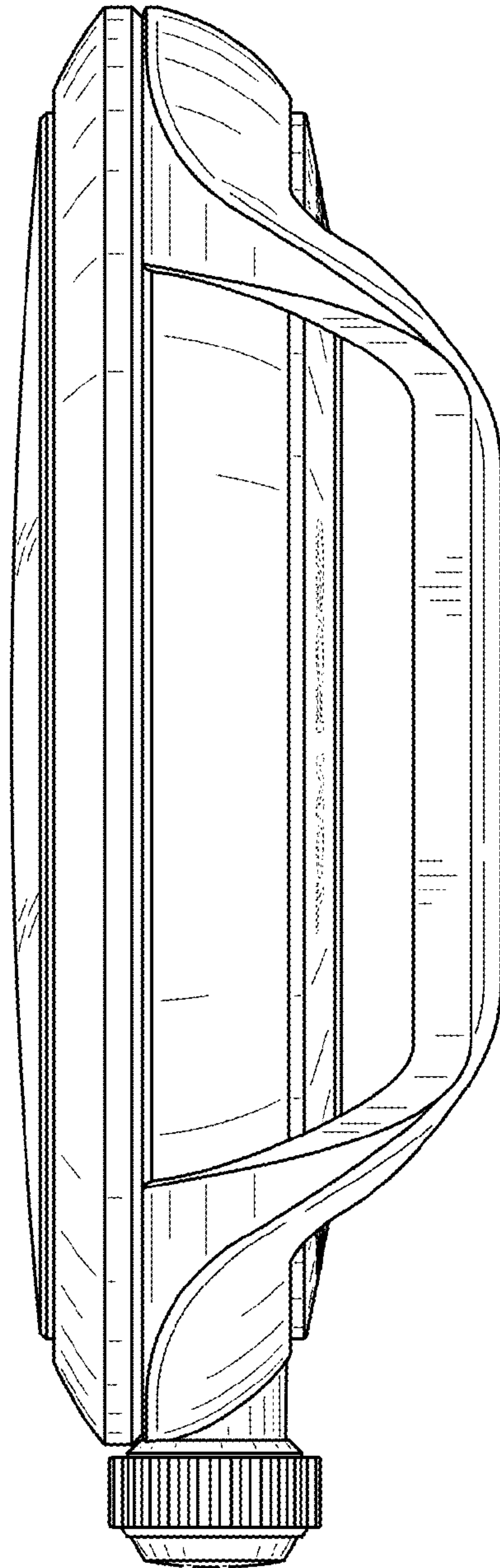


FIG. 11

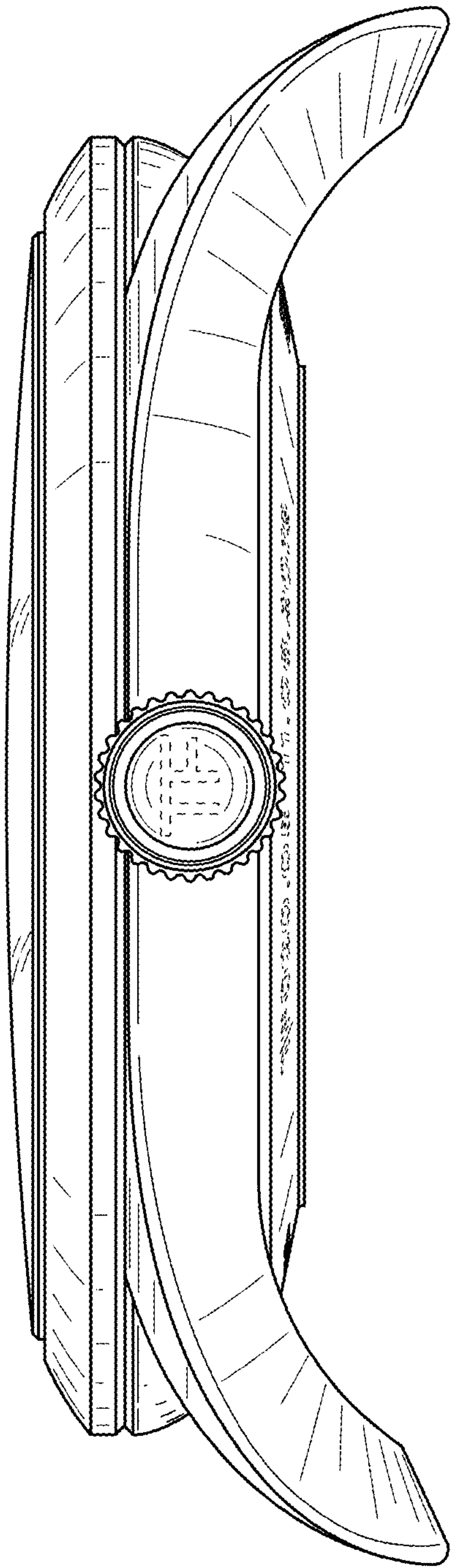


FIG. 12

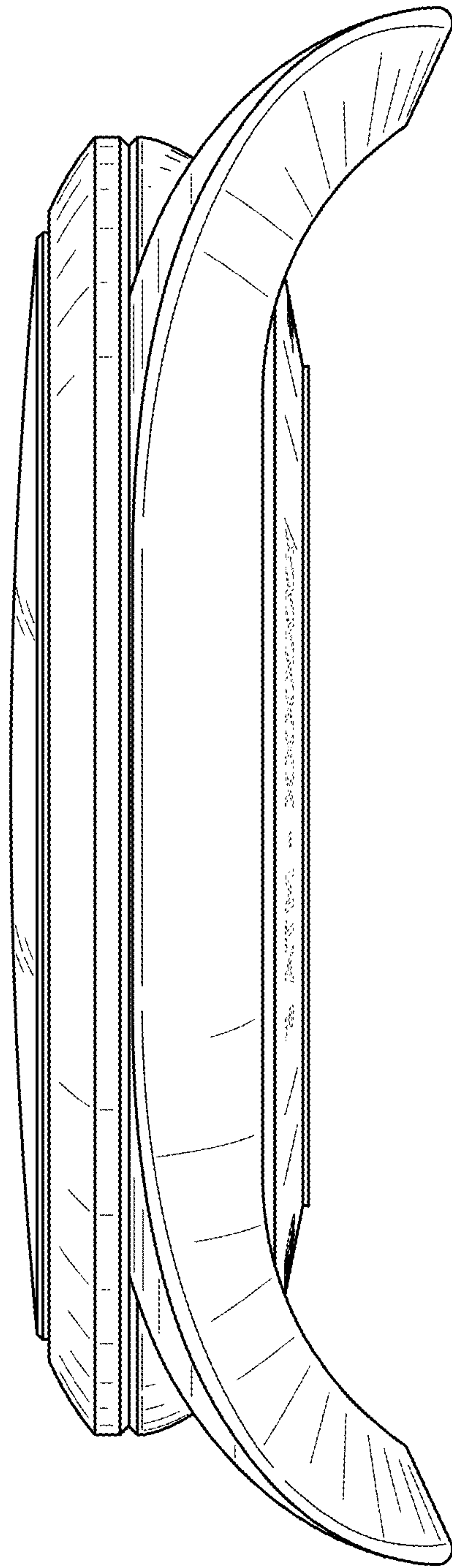


FIG. 13

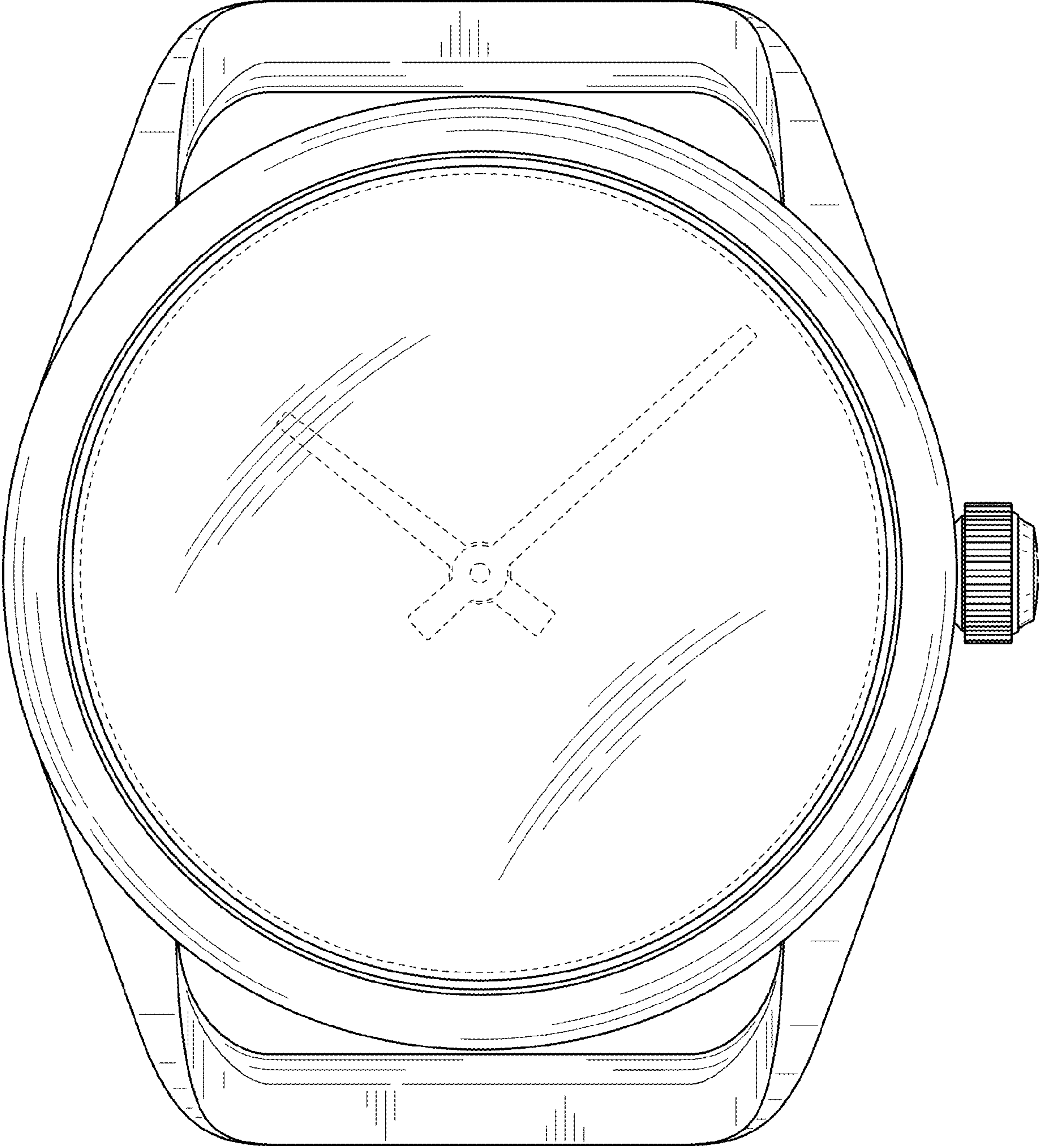


FIG. 14

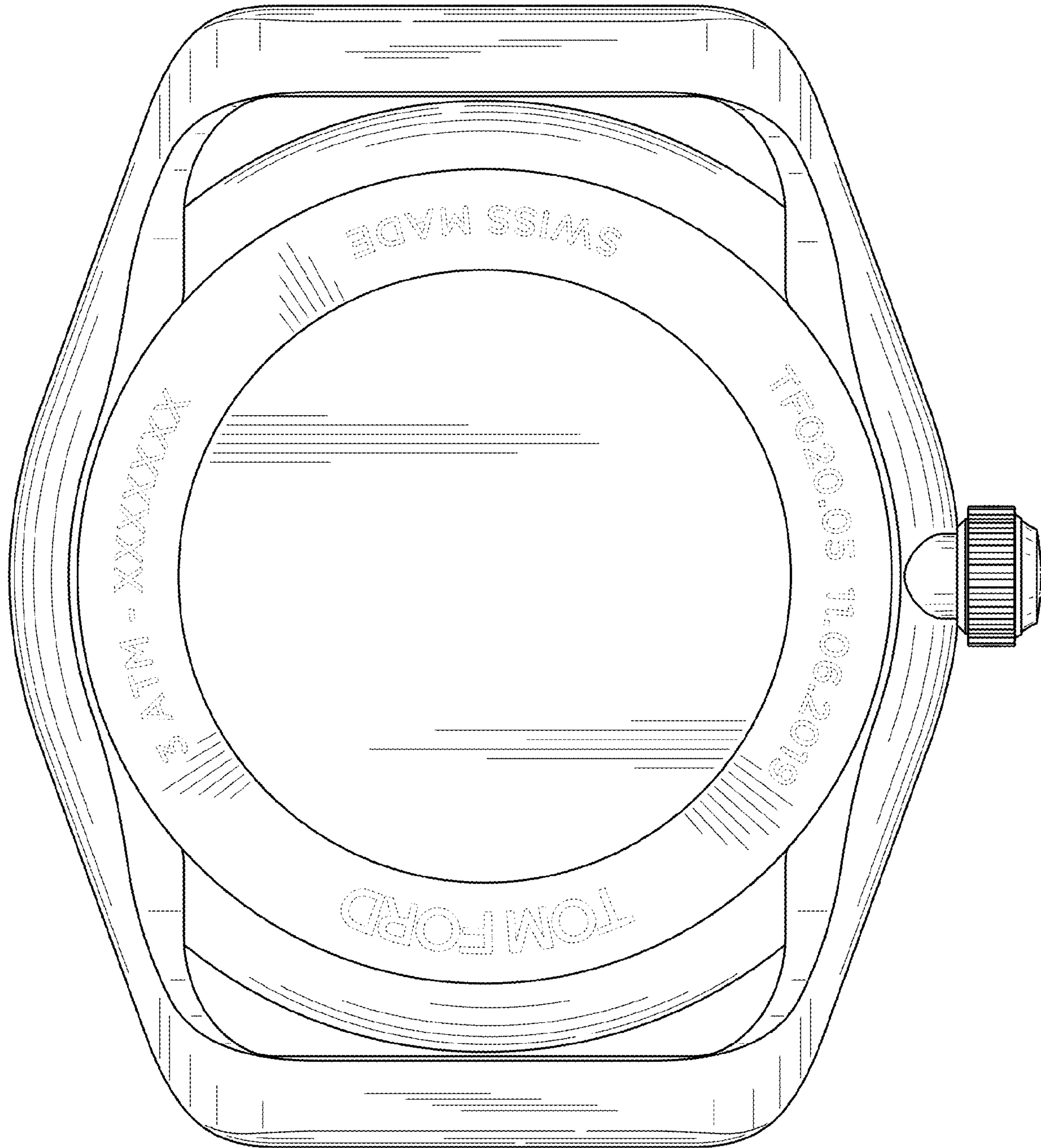


FIG. 15

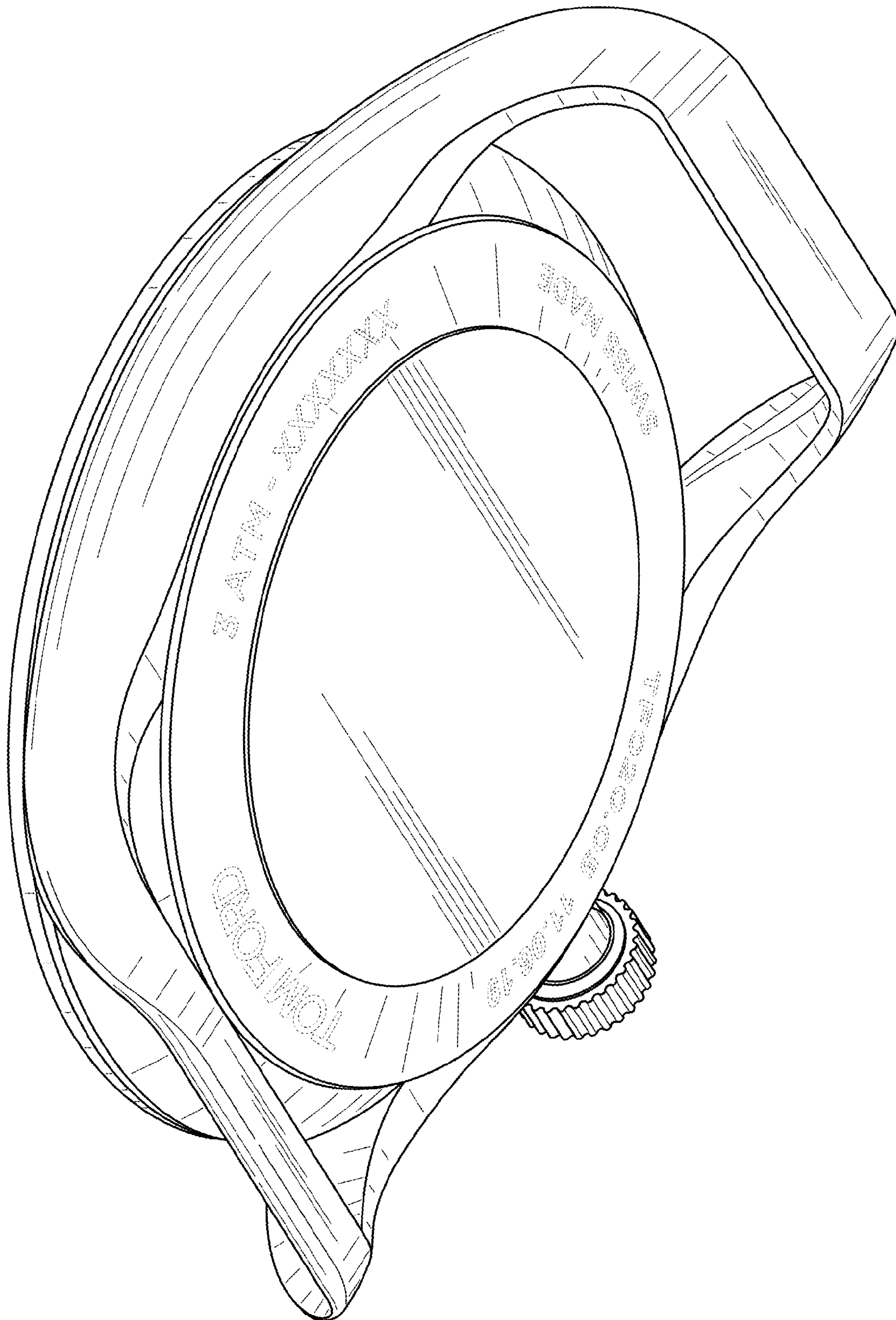


FIG. 16