



US00D933498S

(12) **United States Design Patent** (10) **Patent No.:** **US D933,498 S**
Lenterman (45) **Date of Patent:** **** Oct. 19, 2021**

(54) **WATCH**
(71) Applicant: **Intro-Tech Automotive, Inc**, Chino, CA (US)
(72) Inventor: **Henri Lenterman**, Chino Hills, CA (US)
(**) Term: **15 Years**
(21) Appl. No.: **29/714,494**

D572,609 S 7/2008 Coiumbo
D573,488 S * 7/2008 Sanz D10/39
D587,476 S * 3/2009 Lenterman D6/366
D591,178 S * 4/2009 Magada D10/38
D596,509 S * 7/2009 Kume D10/38
D665,274 S * 8/2012 Arabov D10/38
D666,925 S * 9/2012 Ahlstrom D10/32
D762,493 S * 8/2016 Galli D10/39
D772,731 S * 11/2016 Michele D10/39
D795,709 S * 8/2017 Roberts D10/32
D855,479 S * 8/2019 Charrier D10/30

(Continued)

(22) Filed: **Nov. 22, 2019**
(51) **LOC (13) Cl.** **10-02**
(52) **U.S. Cl.**
USPC **D10/33**
(58) **Field of Classification Search**
USPC D10/30-39, 65, 70, 98, 121-126,
D10/131-132; D14/344; D24/167, 186
CPC G04B 19/00; G04B 19/025; G04B 19/04;
G04B 19/06; G04B 19/065; G04B 19/08;
G04B 19/085; G04B 19/10; G04B
19/103; G04B 19/12; G04B 37/00; G04B
37/0058; G04B 37/1486; G04B 45/00;
G04B 45/0069; G04B 45/0076
See application file for complete search history.

OTHER PUBLICATIONS

TE37 Rim Watch | amazon.ca; date first available Jul. 2020 [online], ©1996-2021, Amazon.com, Inc [retrieved Jul. 19, 2021] from Internet: <https://www.amazon.ca/Automotivesupercars-Watch-Stainless-Steel-Black/dp/B08C9BGHVS> (Year: 2020).*

(Continued)

Primary Examiner — Katherine Glennon
(74) *Attorney, Agent, or Firm* — Law Office of Austin Bonderer; Austin Bonderer

(57) **CLAIM**

The ornamental design for a watch, as shown and described.

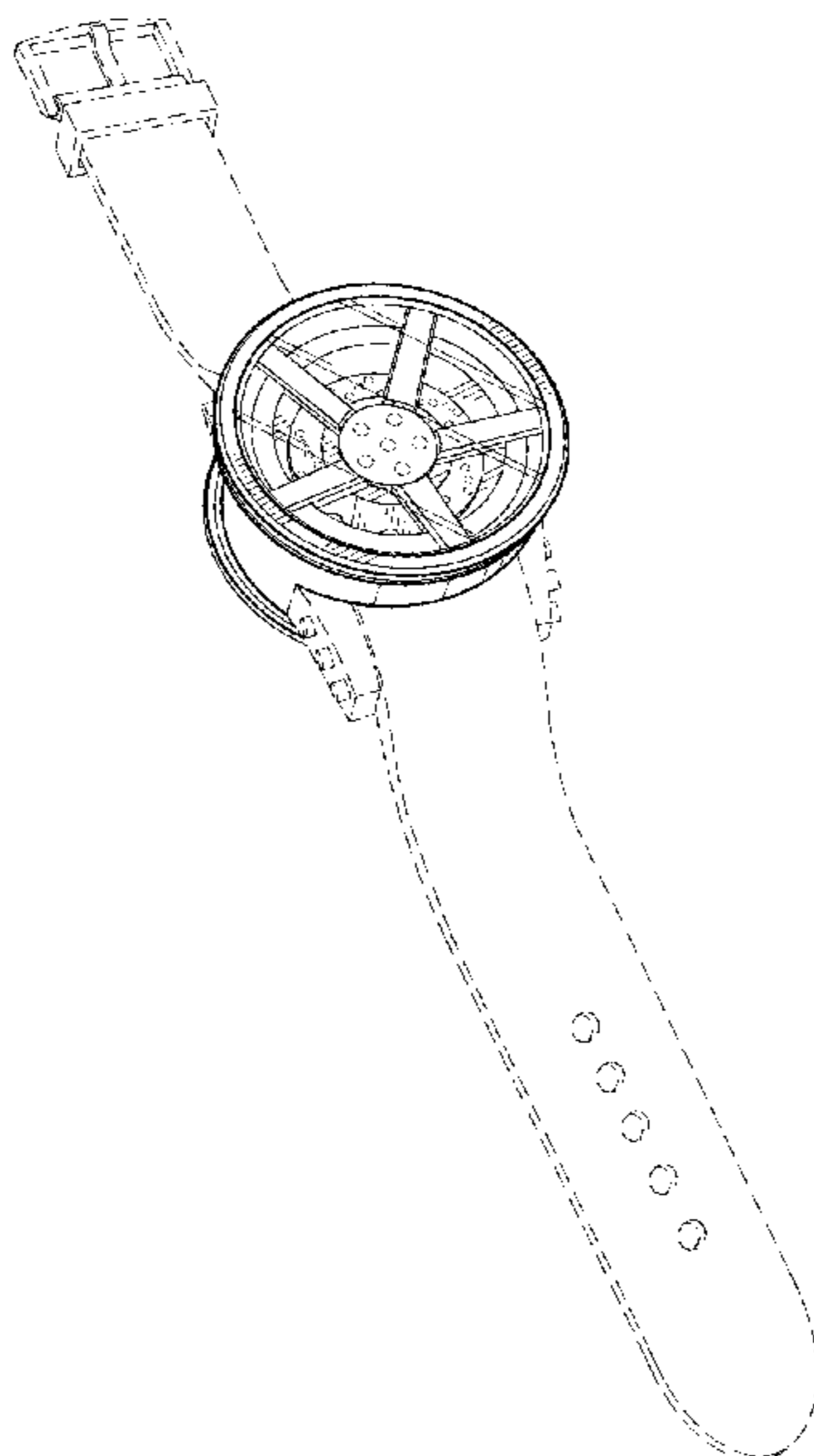
DESCRIPTION

FIG. 1 is a front left bottom oblique view of a watch showing my new design;
FIG. 2 is a front elevation view thereof;
FIG. 3 is rear elevation view thereof;
FIG. 4 is a right-side elevation view thereof;
FIG. 5 is left-side elevation view thereof;
FIG. 6 is a top plan view thereof; and,
FIG. 7 is a bottom plan view thereof.
The watch strap shown in broken lines forms no part of the claimed design.

1 Claim, 4 Drawing Sheets

(56) **References Cited**
U.S. PATENT DOCUMENTS

D74,825 S * 4/1928 Cramer D10/33
D224,131 S * 7/1972 Musy D10/33
D224,948 S * 10/1972 Musy D10/33
D300,806 S * 4/1989 Martin D10/6
D348,223 S * 6/1994 Magninat D10/126
D350,282 S * 9/1994 Lenterman D9/675
D454,793 S * 3/2002 Chang D10/22
D508,416 S * 8/2005 Tang D10/30
D542,156 S * 5/2007 Lafever D10/32
D543,122 S * 5/2007 Lafever D10/32
D544,372 S * 6/2007 Seyr D10/32
D547,677 S * 7/2007 Kume D10/38



(56)

References Cited

U.S. PATENT DOCUMENTS

D884,490 S * 5/2020 Lalo D10/38
D899,958 S * 10/2020 Berka D11/26

OTHER PUBLICATIONS

A Watch for Automotive Enthusiasts | yankodesign.com; posted Jan. 2011 by Long Tran [online], © 2021 Yanko Design [retrieved Jul. 19, 2021] from Internet: <<https://www.yankodesign.com/2011/01/06/a-watch-for-automotive-enthusiasts> (Year: 2011).*

Assorted wheel rim watches on eBay.com, captured Apr. 20, 2014.

Six Spoke Wheel Watch on Zazzle.com, captured Nov. 22, 2019.

Mazzucato RIM Reversible Watch on Watch.com, captured Nov. 22, 2019.

IBSO Men's Creative Rotation Watch on Amazon.com, captured Nov. 22, 2019.

Wheel Watch on CarWatchShop.com, captured Nov. 22, 2019.

Thresher Shark Sport Watch on ThinkOutsideIn.com, captured Nov. 22, 2019.

Car Wheel Tire Rim Watch on LocomoLife.com, captured Nov. 22, 2019.

* cited by examiner

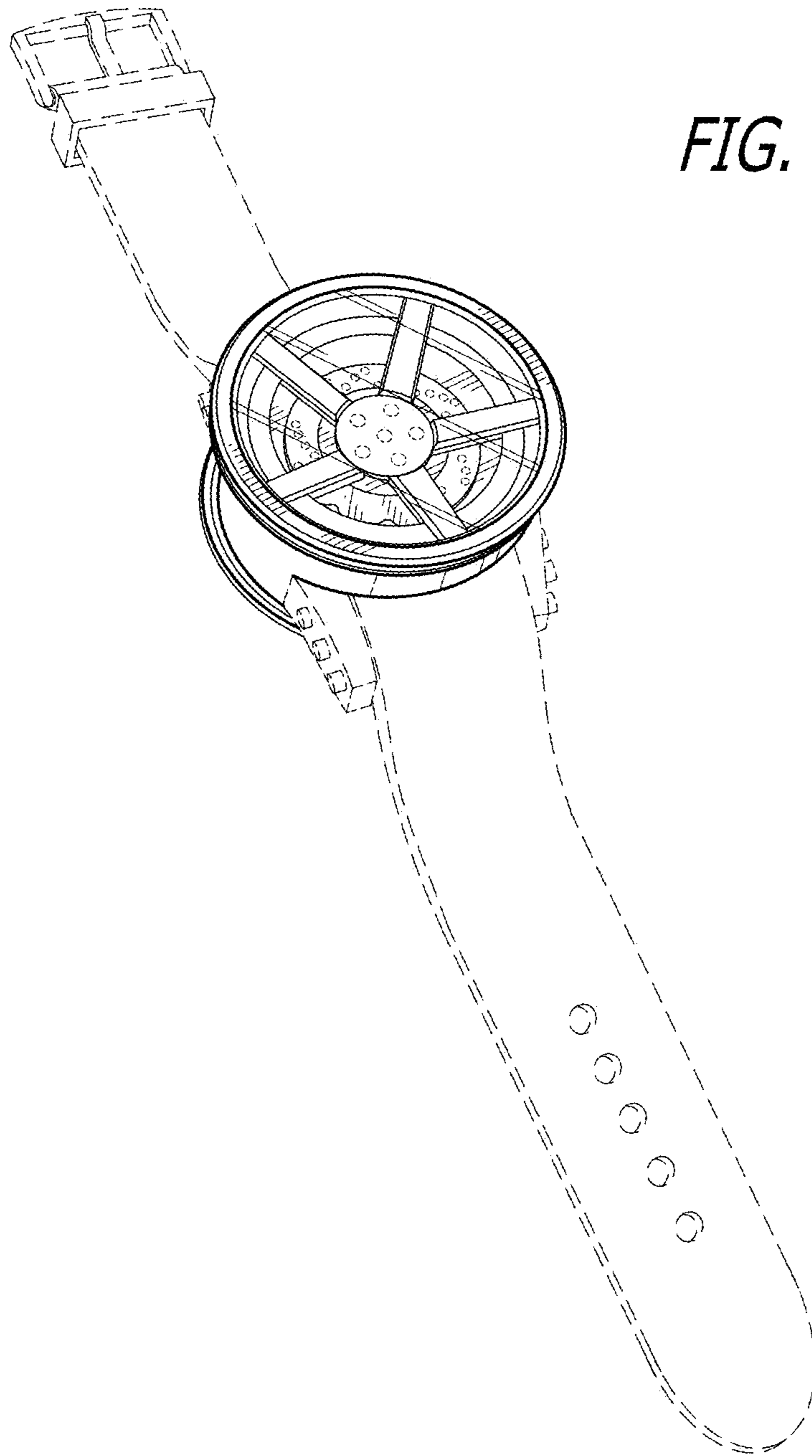


FIG. 1

FIG. 2

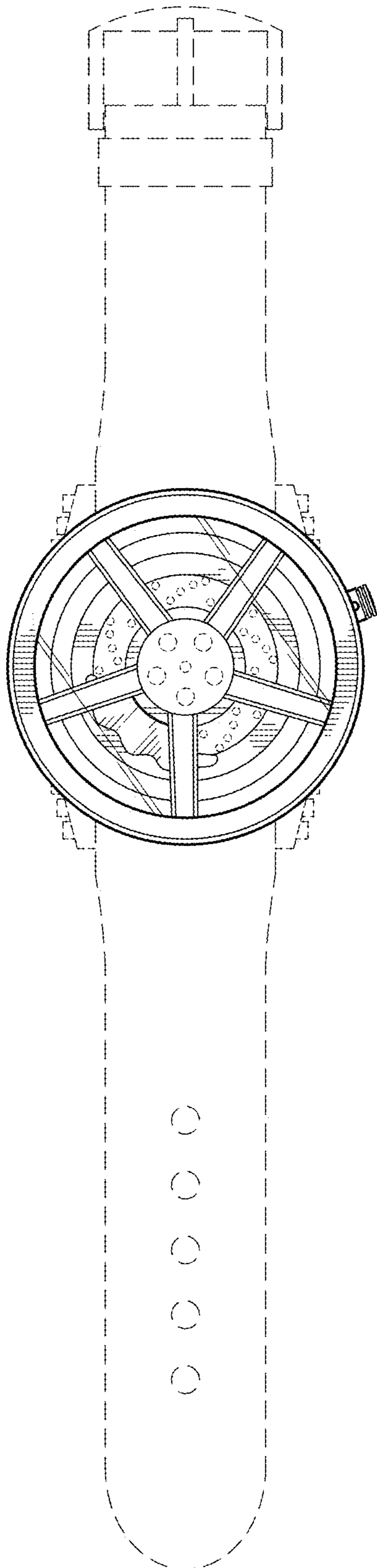


FIG. 3

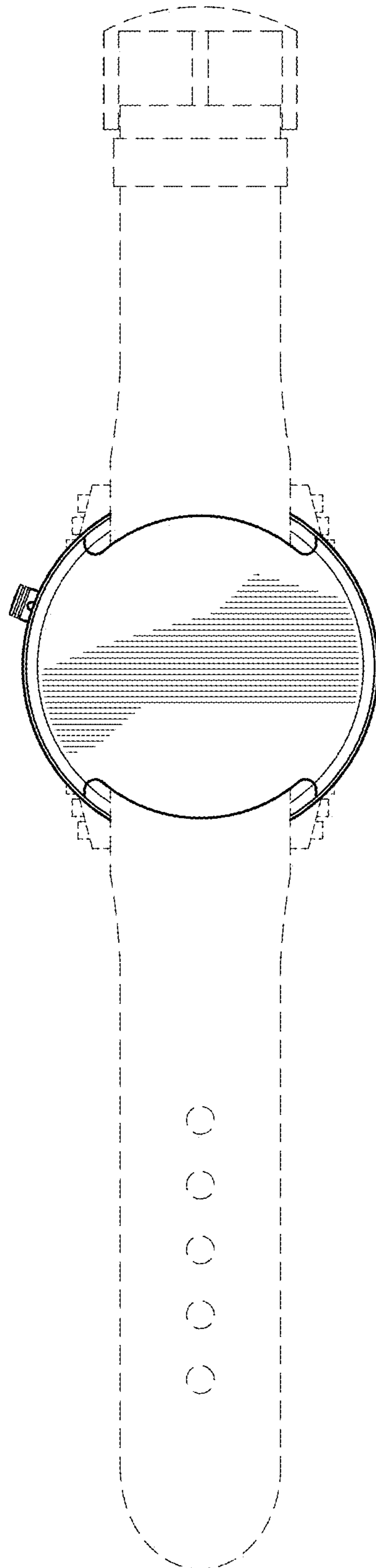


FIG. 4

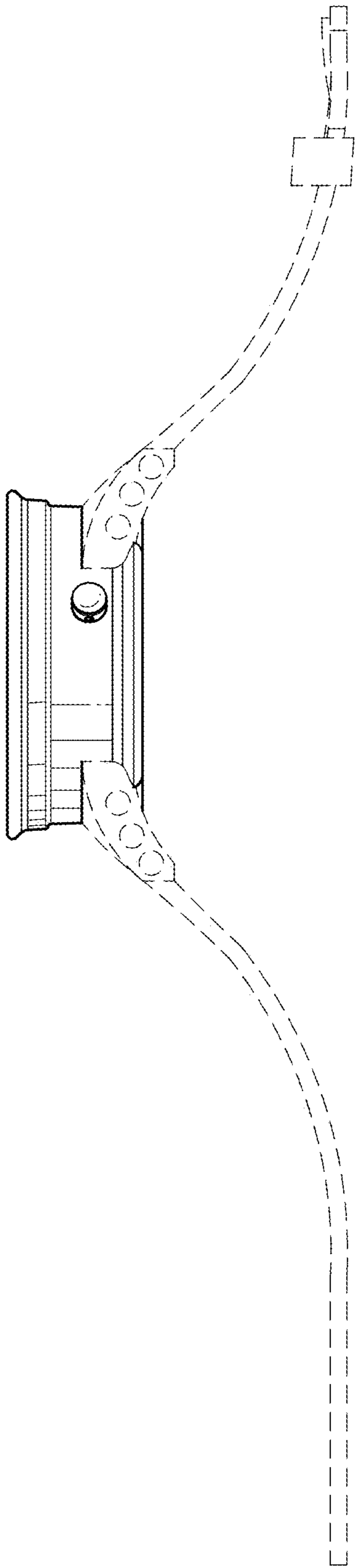


FIG. 5

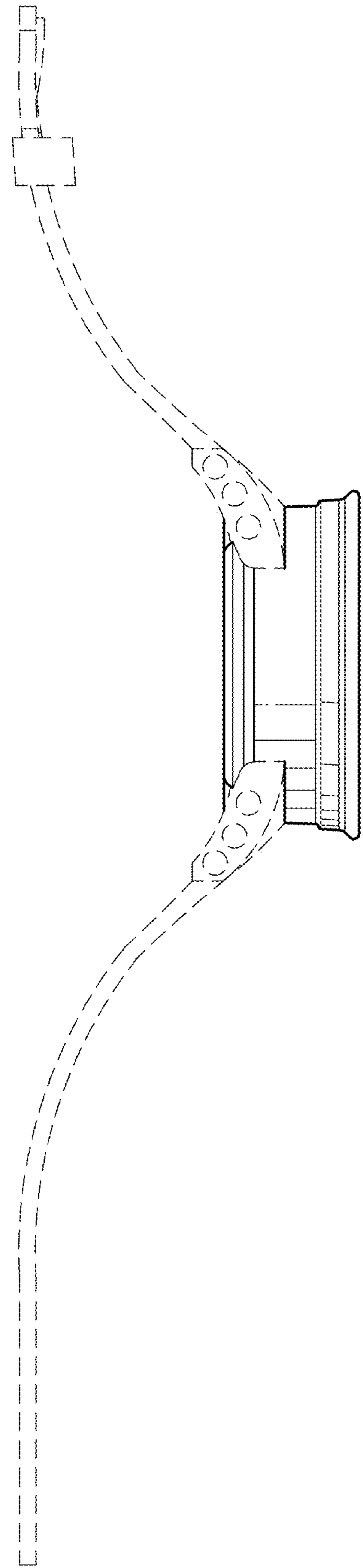


FIG. 6

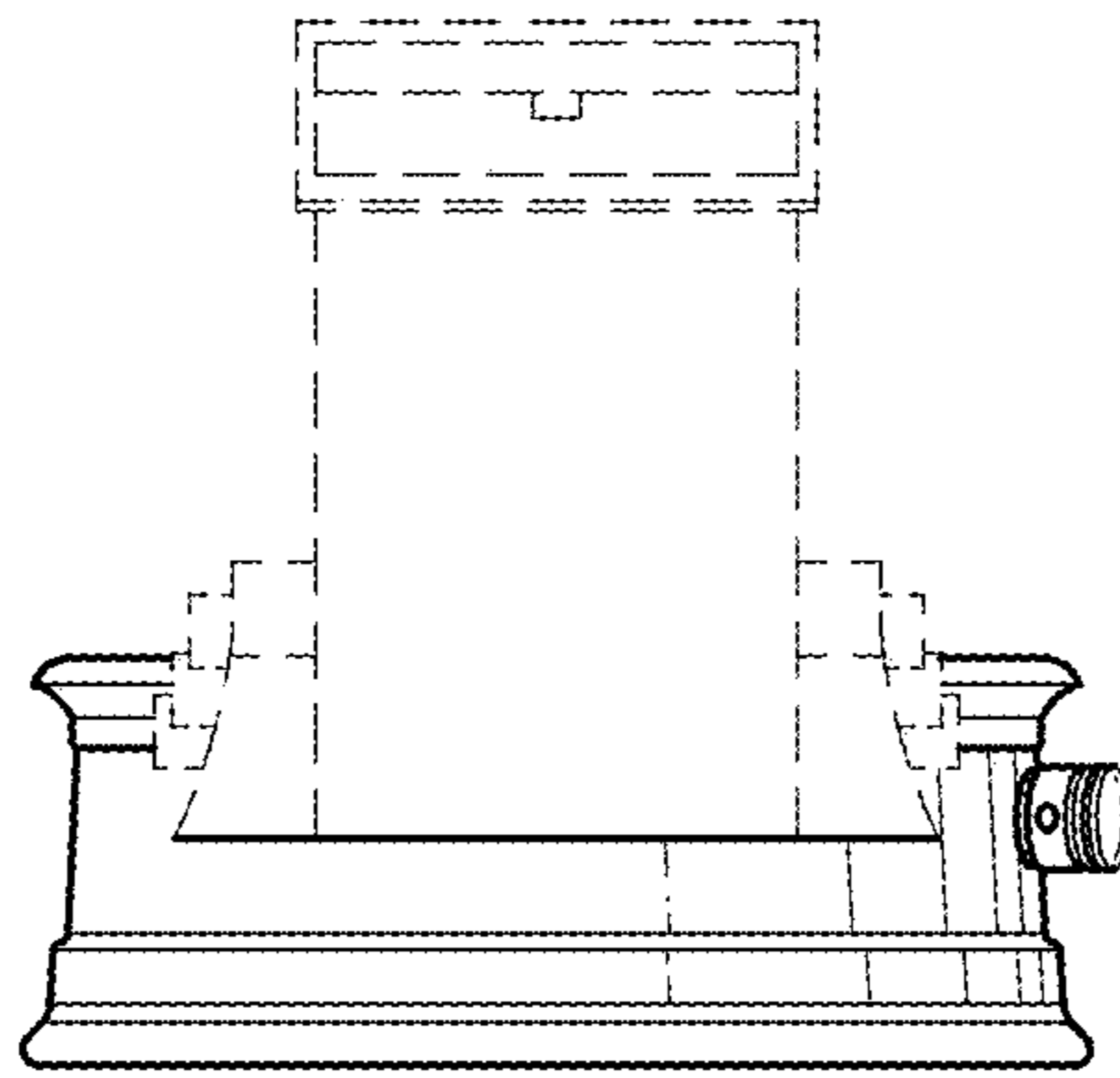


FIG. 7

