

US00D933497S

(12) **United States Design Patent** (10) **Patent No.:** **US D933,497 S**
Panneer Selvam et al. (45) **Date of Patent:** **** Oct. 19, 2021**

- (54) **WATCH**
- (71) Applicant: **VitalTech Properties, LLC**, Plano, TX (US)
- (72) Inventors: **Anjan Panneer Selvam**, Plano, TX (US); **Peter Ianace**, Frisco, TX (US); **Qing Sun**, Plano, TX (US)
- (73) Assignee: **VitalTech Properties, LLC**, Plano, TX (US)

- 7,539,532 B2 5/2009 Tran
- 7,539,533 B2 5/2009 Tran
- 7,558,622 B2 7/2009 Tran
- 7,976,386 B2 7/2011 Tran
- 8,108,036 B2 1/2012 Tran
- 8,121,673 B2 2/2012 Tran
- 8,323,189 B2 12/2012 Tran et al.
- 8,328,718 B2 12/2012 Tran
- 8,425,415 B2 4/2013 Tran
- 8,449,471 B2 5/2013 Tran

(Continued)

(**) Term: **15 Years**

(21) Appl. No.: **29/709,927**

(22) Filed: **Oct. 18, 2019**

(51) **LOC (13) Cl.** **10-02**

(52) **U.S. Cl.**
USPC **D10/32; D14/344**

(58) **Field of Classification Search**
 USPC D10/30-39, 65, 70, 97-98, 131-132;
 D14/344; D24/164-165, 167, 186;
 D11/2, 3, 5, 93-94
 CPC G04B 19/00; G04B 19/025; G04B 19/04;
 G04B 19/10; G04B 19/103; G04B 19/12;
 G04B 19/20; G04B 19/26; G04B 19/226;
 G04B 37/00; G04B 37/1486; G04B
 39/002; G04B 39/004; G04B 39/006;
 G04B 45/00; G04B 45/0069; G04B
 45/0076; G04G 19/06; G04G 19/065;
 G04G 19/08; G04G 19/085; G04G 21/08;
 A44C 5/00; A44C 5/02; A44C 5/023;
 A44C 5/0007; A44C 5/147; A44C
 5/0053; A61B 5/681; A61B 5/6824; G06F
 1/163

See application file for complete search history.

(56) **References Cited**

U.S. PATENT DOCUMENTS

- 6,336,900 B1 1/2002 Alleckson et al.
- D584,170 S * 1/2009 Morrison D10/32

FOREIGN PATENT DOCUMENTS

- CN 206214083 U 6/2017
- CN 106999048 A 8/2017

(Continued)

OTHER PUBLICATIONS

International Search Report and Written Opinion, PCT/US2019/047929, dated Nov. 18, 2019, pp. 1-15.

Primary Examiner — Katherine Glennon
(74) *Attorney, Agent, or Firm* — Goodhue, Coleman & Owens, P.C.

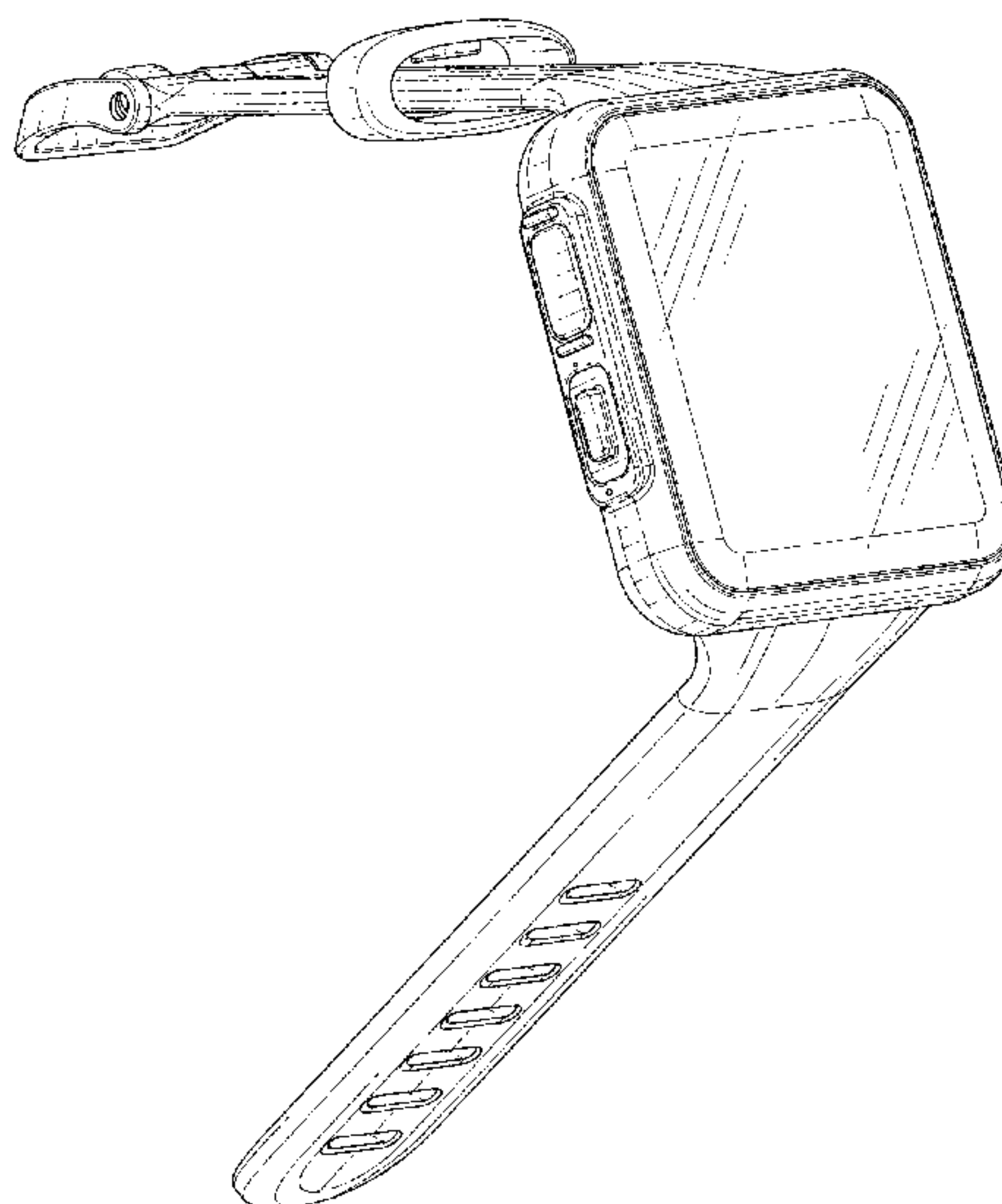
(57) **CLAIM**

The ornamental design for watch, as shown and described.

DESCRIPTION

FIG. 1 is a perspective view of a watch showing our new design;
 FIG. 2 is another perspective view thereof;
 FIG. 3 is a front view thereof;
 FIG. 4 is a rear view thereof;
 FIG. 5 is a left side view thereof;
 FIG. 6 is a right side view thereof;
 FIG. 7 is a top view thereof;
 FIG. 8 is a bottom view thereof; and,
 FIG. 9 is a bottom perspective view thereof.

1 Claim, 9 Drawing Sheets



(56)

References Cited

U.S. PATENT DOCUMENTS

8,475,368 B2 7/2013 Tran et al.
 8,500,636 B2 8/2013 Tran
 8,652,038 B2 2/2014 Tran et al.
 8,684,922 B2 4/2014 Tran
 8,727,978 B2 5/2014 Tran et al.
 8,747,313 B2 6/2014 Tran et al.
 8,764,651 B2 7/2014 Tran
 8,968,195 B2 3/2015 Tran
 9,060,683 B2 6/2015 Tran
 D737,156 S 8/2015 Akana et al.
 D737,157 S 8/2015 Akana et al.
 D737,158 S 8/2015 Akana et al.
 D737,159 S 8/2015 Akana et al.
 9,107,586 B2 8/2015 Tran
 D741,726 S 10/2015 Akana et al.
 D744,356 S 12/2015 Akana et al.
 D745,421 S 12/2015 Akana et al.
 D745,515 S * 12/2015 Solomon D14/344
 9,215,980 B2 12/2015 Tran et al.
 D746,707 S 1/2016 Akana et al.
 D751,070 S 3/2016 Akana et al.
 D752,044 S 3/2016 Akana et al.
 D752,996 S * 4/2016 Ebersold D10/30
 D754,793 S 4/2016 Akana et al.
 D756,357 S 5/2016 Akana et al.
 D756,822 S 5/2016 Akana et al.
 D756,823 S 5/2016 Akana et al.
 D756,824 S 5/2016 Akana et al.
 D756,825 S 5/2016 Akana et al.
 D757,722 S 5/2016 Akana et al.
 D758,219 S 6/2016 Akana et al.
 D759,011 S 6/2016 Akana et al.
 D759,725 S 6/2016 Akana et al.
 D760,716 S 7/2016 Akana et al.
 D761,793 S 7/2016 Akana et al.
 9,392,966 B2 7/2016 Kate
 D766,236 S * 9/2016 Solomon D14/344
 D766,752 S 9/2016 Akana et al.
 D766,893 S 9/2016 Akana et al.
 D768,858 S * 10/2016 Komulainen D24/167
 D771,035 S 11/2016 Akana et al.
 D771,037 S 11/2016 Akana et al.
 D777,163 S 1/2017 Akana et al.
 D779,992 S 2/2017 Akana et al.
 9,577,324 B2 * 2/2017 Chen G06F 1/163
 D781,853 S 3/2017 Akana et al.
 D784,326 S 4/2017 Akana et al.
 D784,327 S 4/2017 Akana et al.
 D784,831 S 4/2017 Akana et al.
 D790,517 S 6/2017 Akana et al.
 D791,237 S 7/2017 Akana et al.
 D791,238 S 7/2017 Akana et al.
 D791,239 S 7/2017 Akana et al.
 D792,241 S * 7/2017 White D10/30
 D795,731 S * 8/2017 Bayley D11/3
 D799,988 S * 10/2017 White D10/30
 9,801,542 B2 10/2017 Tran et al.
 9,801,568 B2 10/2017 Ziaie et al.

9,814,425 B2 11/2017 Tran
 9,820,657 B2 11/2017 Tran
 D805,513 S 12/2017 Akana et al.
 D805,929 S 12/2017 Akana et al.
 D806,071 S 12/2017 Akana et al.
 D807,765 S 1/2018 Akana et al.
 9,865,176 B2 1/2018 Tran
 D809,513 S 2/2018 Akana et al.
 D812,052 S 3/2018 Akana et al.
 D816,524 S 5/2018 Akana et al.
 D817,203 S 5/2018 Akana et al.
 9,974,492 B1 5/2018 Dicks et al.
 D822,525 S 7/2018 Akana et al.
 D824,273 S 7/2018 Akana et al.
 10,025,908 B1 7/2018 Orellano et al.
 10,026,292 B2 7/2018 Baker et al.
 10,051,410 B2 8/2018 Booth et al.
 D828,352 S 9/2018 Akana et al.
 D828,835 S 9/2018 Akana et al.
 D832,252 S 10/2018 Akana et al.
 D836,102 S 12/2018 Akana et al.
 D839,753 S * 2/2019 Domke D10/30
 D841,005 S * 2/2019 Lin D14/344
 D850,317 S * 6/2019 Hinds D11/3
 D852,648 S * 7/2019 Chen D10/32
 D853,390 S * 7/2019 Akana D14/432
 D855,813 S * 8/2019 Hu D24/186
 D856,160 S * 8/2019 Yu D10/32
 D866,350 S * 11/2019 Park D10/38
 D887,406 S * 6/2020 Mao D14/344
 D889,459 S * 7/2020 Zhang D14/344
 D893,323 S * 8/2020 Xiao D10/70
 D900,809 S * 11/2020 Gao D14/344
 2014/0143064 A1 5/2014 Tran
 2014/0249429 A1 9/2014 Tran
 2015/0148623 A1 5/2015 Benaron
 2015/0359467 A1 12/2015 Tran
 2016/0287166 A1 10/2016 Tran
 2016/0338639 A1 11/2016 Myers et al.
 2016/0367202 A1 12/2016 Carter et al.
 2016/0374588 A1 12/2016 Shariff et al.
 2017/0000387 A1 1/2017 Forth et al.
 2017/0124276 A1 5/2017 Tee
 2017/0213145 A1 7/2017 Pathak et al.
 2018/0064370 A1 3/2018 Ziaie et al.
 2018/0174686 A1 6/2018 Zaphrir et al.
 2018/0177436 A1 6/2018 Chang et al.
 2018/0289116 A1 * 10/2018 McCray A44B 11/24
 2018/0333083 A1 11/2018 Orellano
 2019/0099114 A1 * 4/2019 Mouradian A61B 5/0002
 2020/0367816 A1 * 11/2020 Panneer Selvam A61B 5/681
 2020/0390202 A1 * 12/2020 Xue A44C 5/14
 2021/0052221 A1 * 2/2021 Panneer Selvam A61B 5/486

FOREIGN PATENT DOCUMENTS

EP 3346402 A1 7/2018
 WO 2013103570 A1 7/2013
 WO 2017190049 A1 11/2017

* cited by examiner

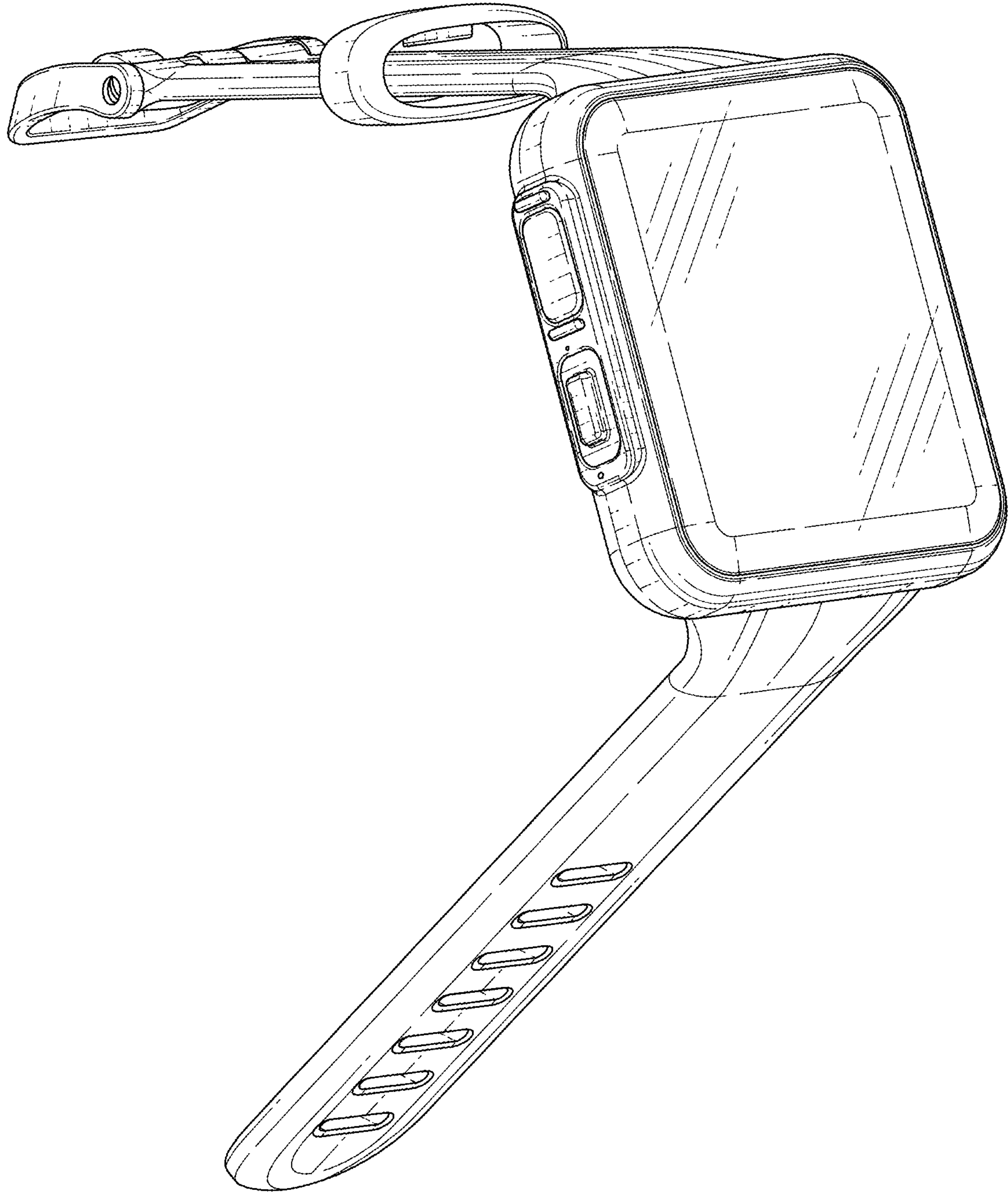


FIG. 1

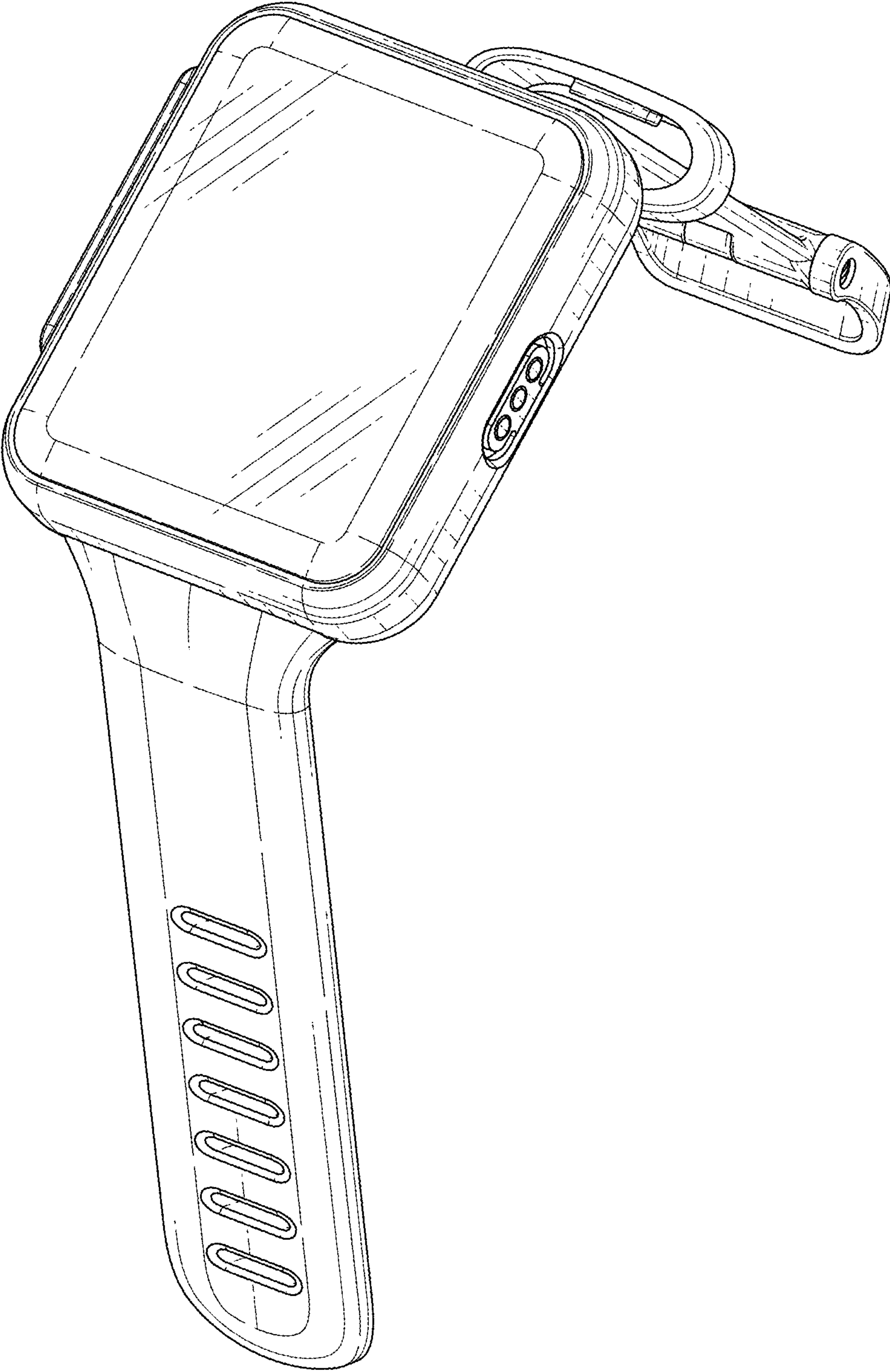


FIG. 2

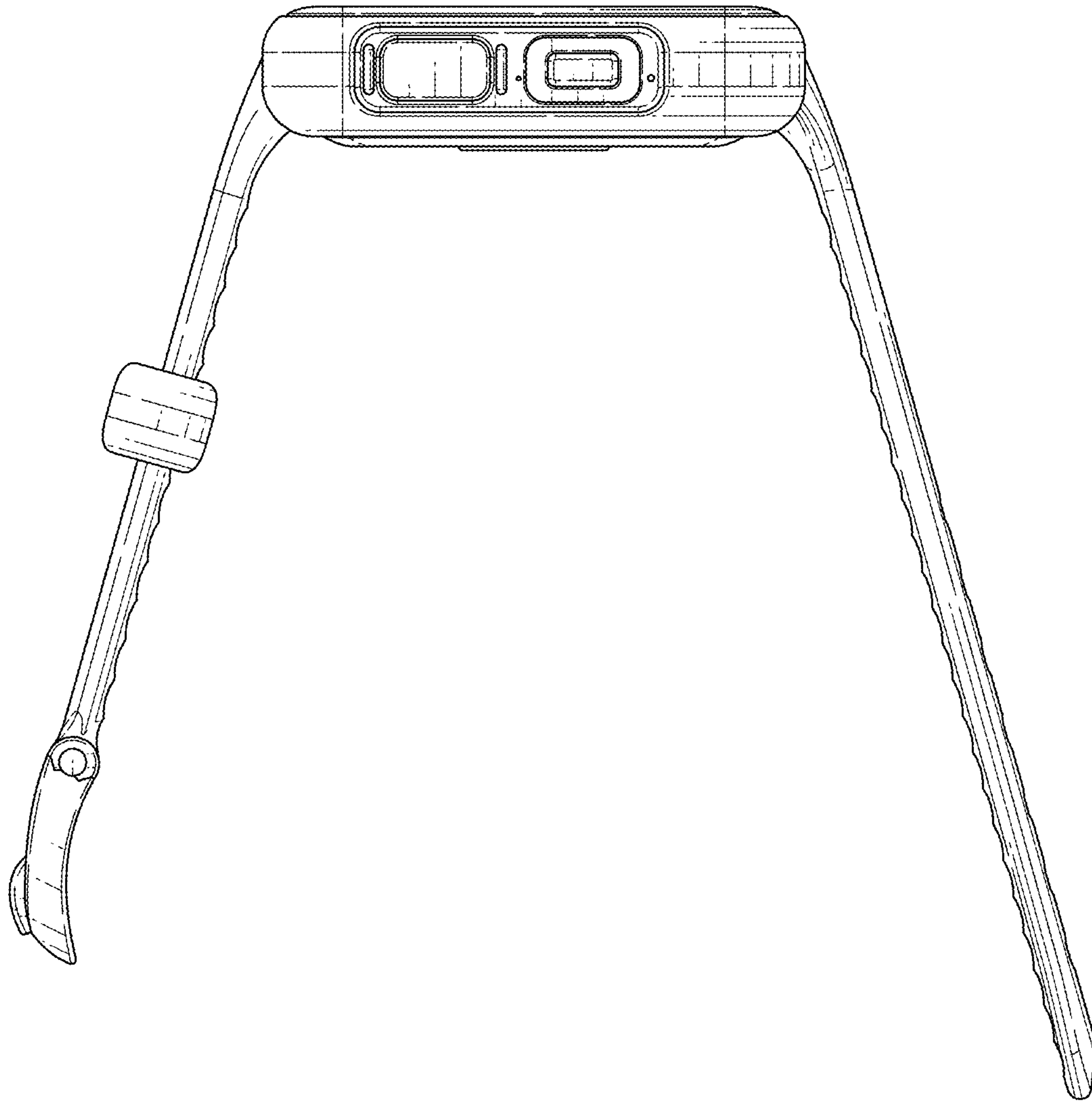


FIG. 3

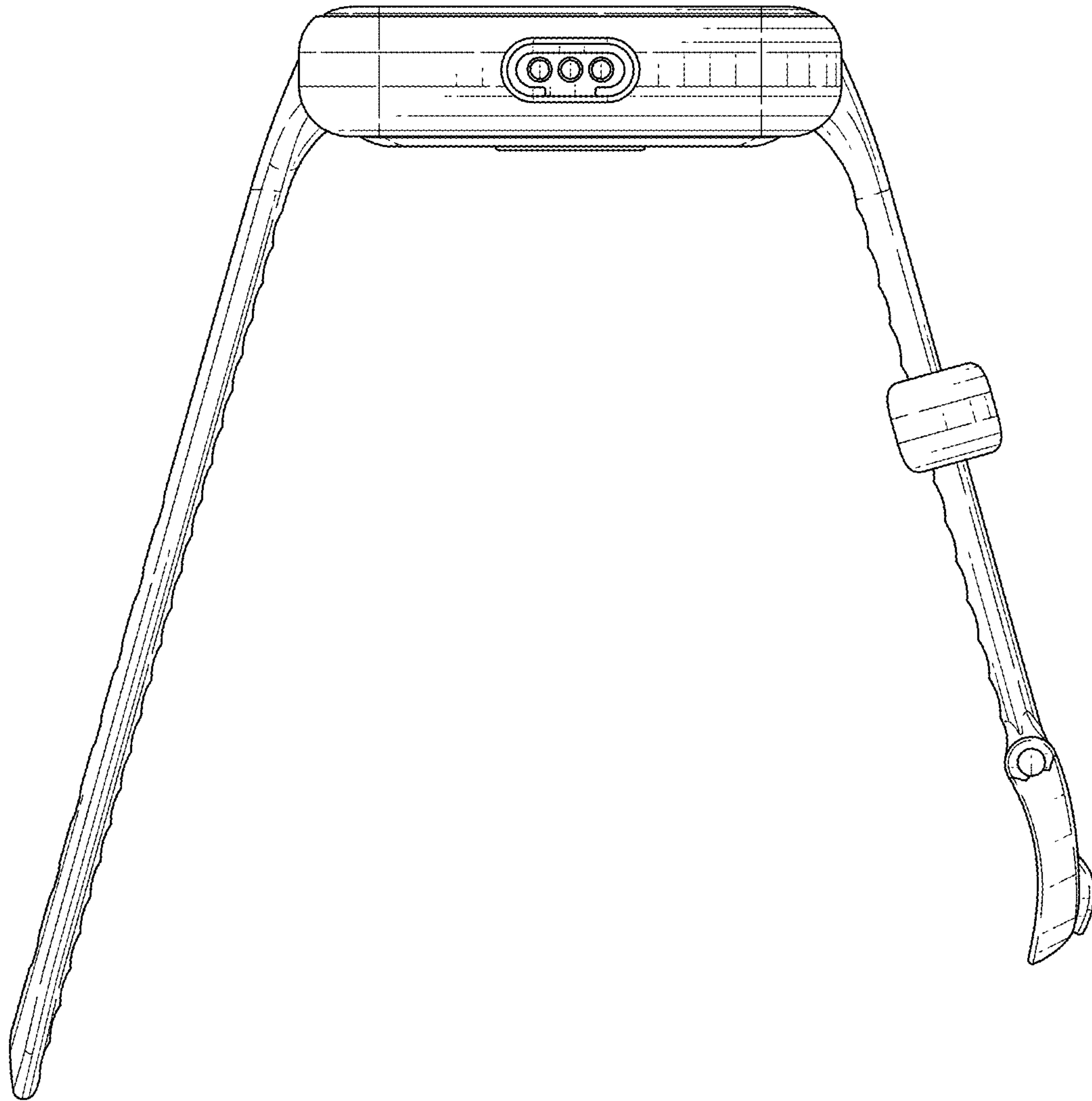


FIG. 4

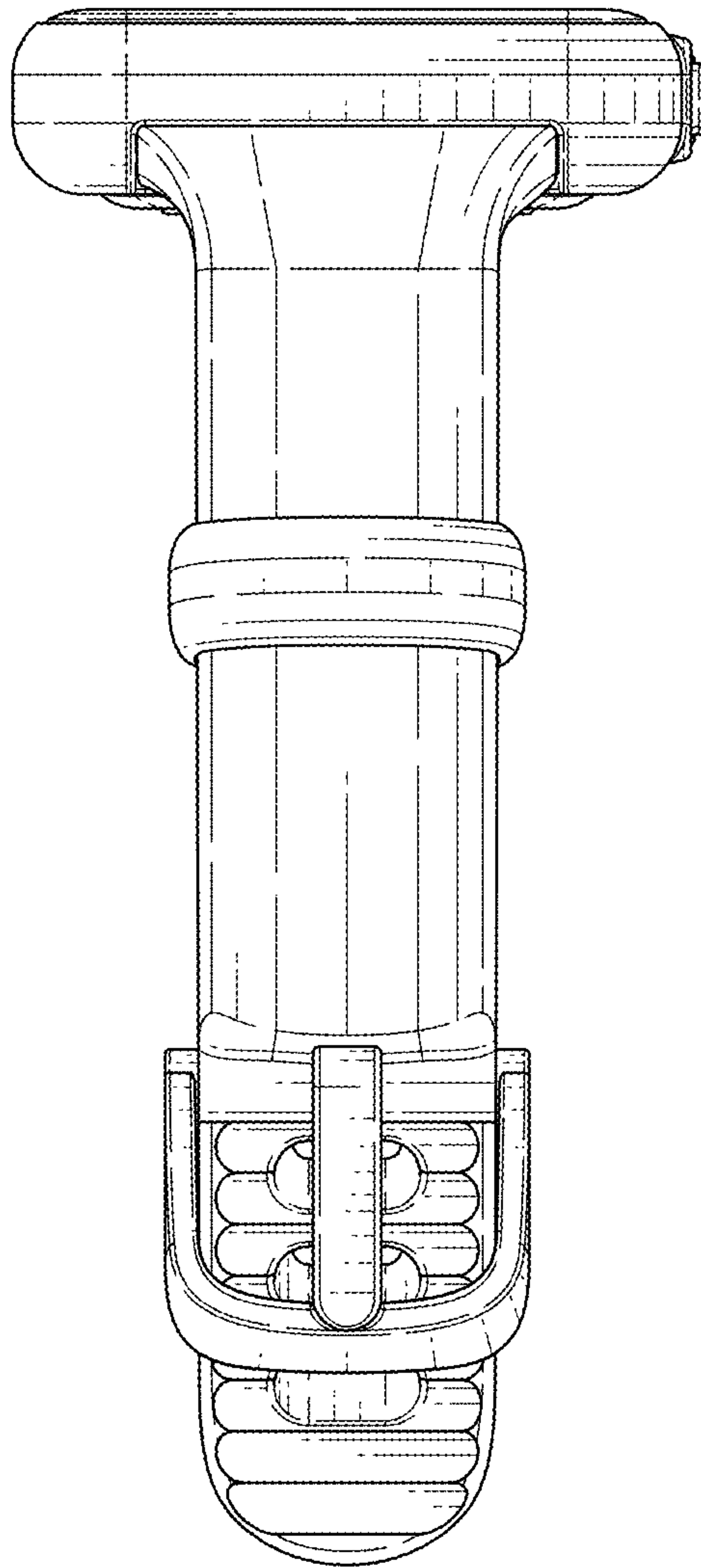


FIG. 5

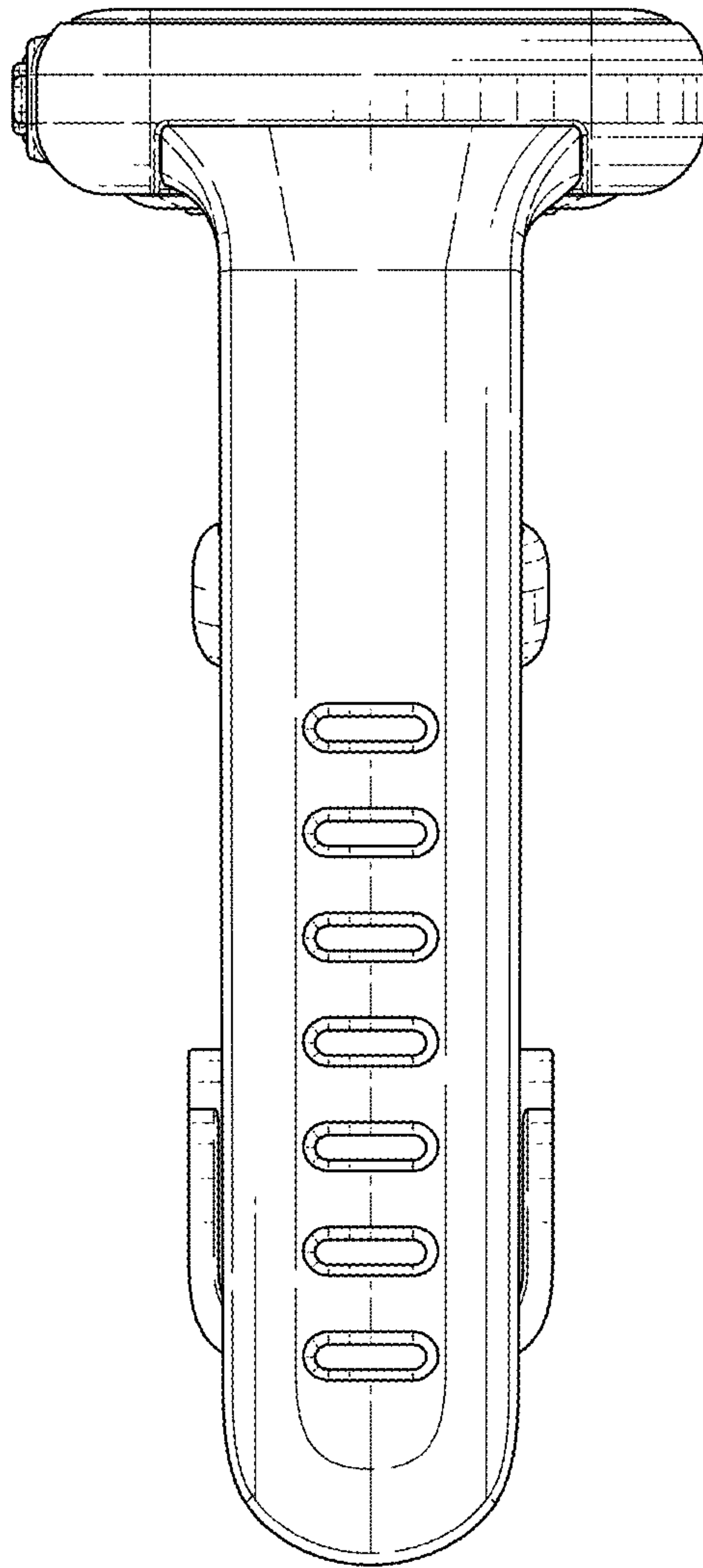


FIG. 6

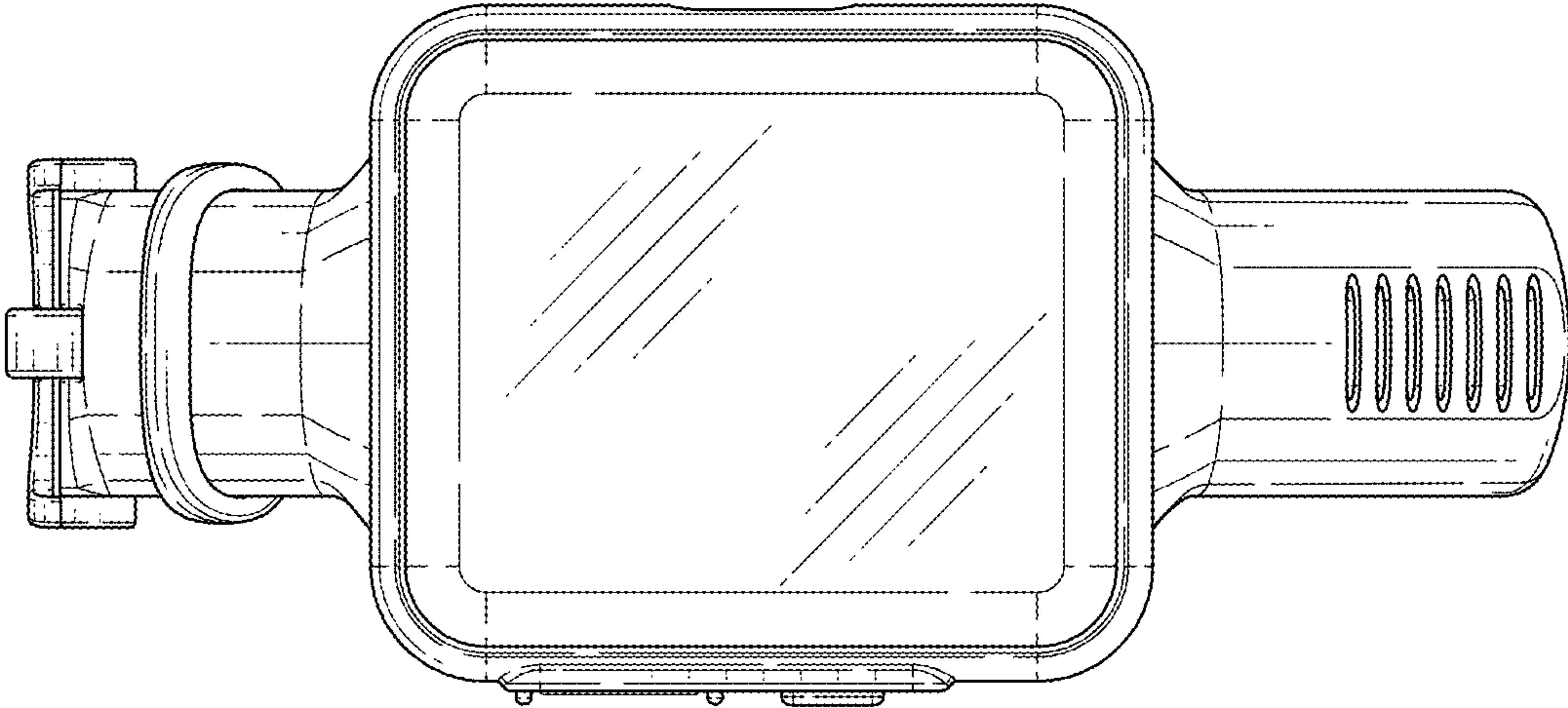


FIG. 7

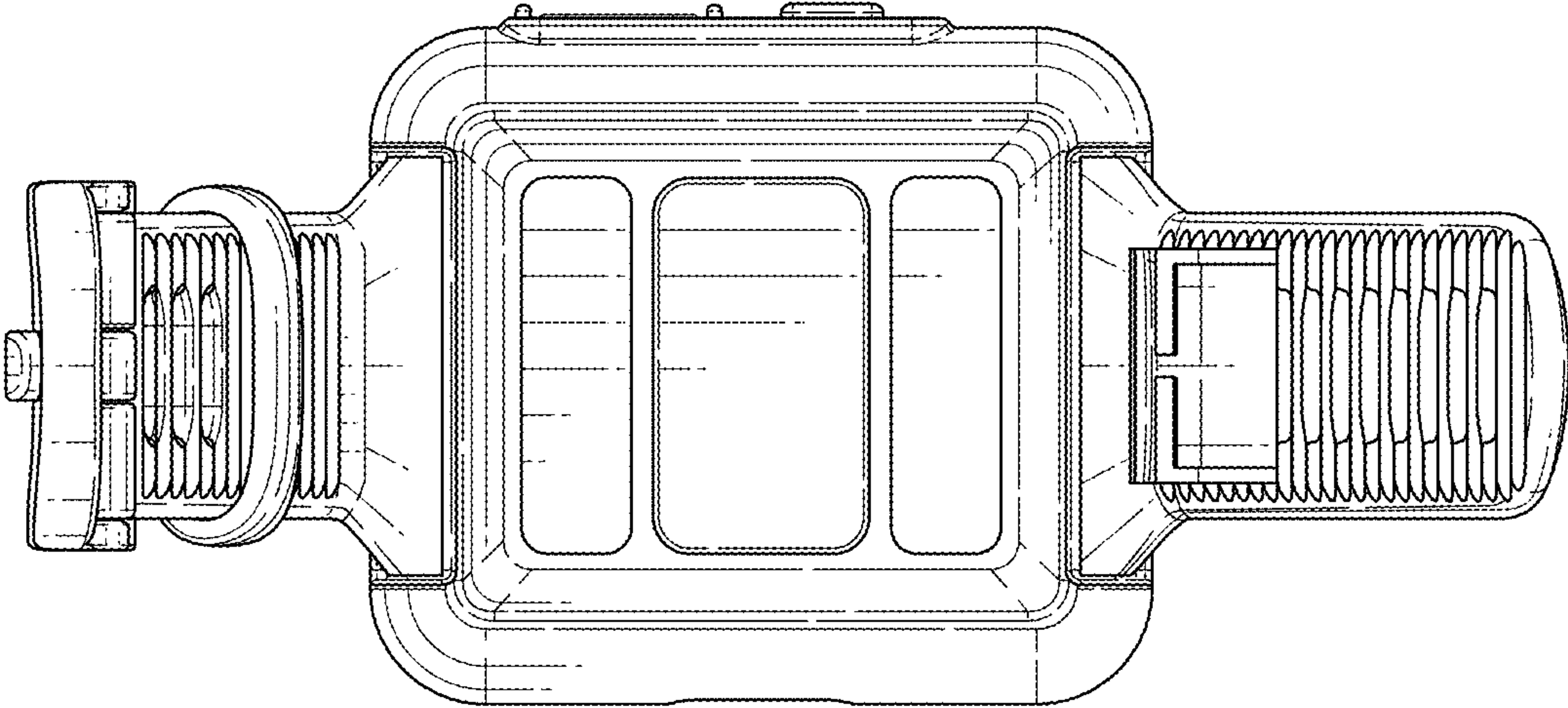


FIG. 8

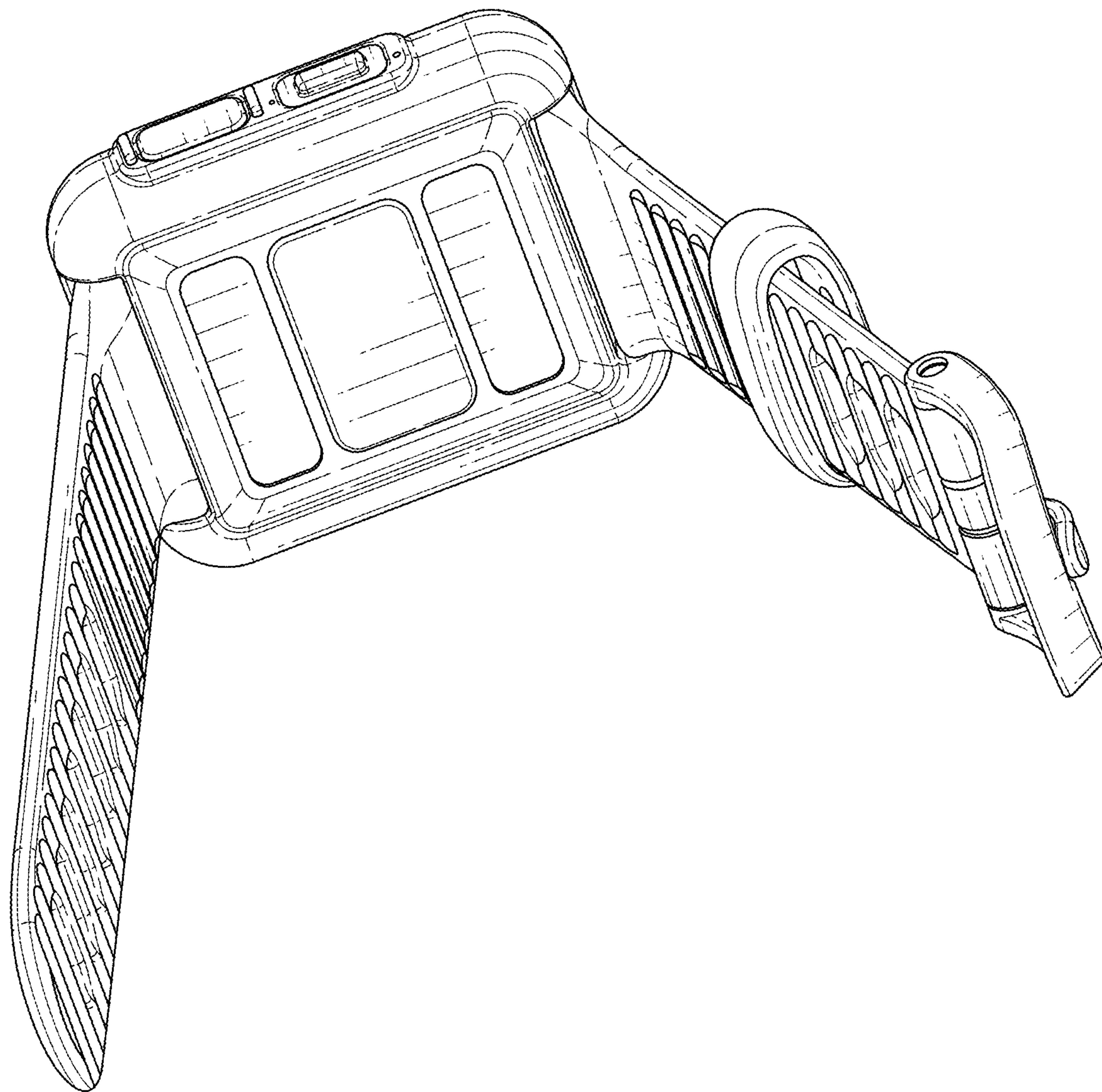


FIG. 9