



US00D933496S

(12) **United States Design Patent** (10) **Patent No.:** **US D933,496 S**  
**Liu** (45) **Date of Patent:** **\*\* Oct. 19, 2021**

(54) **WRISTWATCH**

(71) Applicant: **SHENZHEN BLUE TIMES TECHNOLOGY CO., LTD**, Shenzhen (CN)

(72) Inventor: **Guangmou Liu**, Shenzhen (CN)

(73) Assignee: **SHENZHEN BLUE TIMES TECHNOLOGY CO., LTD**, Shenzhen (CN)

(\*\*) Term: **15 Years**

(21) Appl. No.: **29/723,008**

(22) Filed: **Feb. 4, 2020**

(30) **Foreign Application Priority Data**

Aug. 13, 2019 (CN) ..... 201930439474.X

(51) **LOC (13) Cl.** ..... **10-02**

(52) **U.S. Cl.**  
USPC ..... **D10/31; D3/274**

(58) **Field of Classification Search**

USPC ..... D10/30-39, 65, 70, 97, 98, 122, 132, D10/104.2, 106.94, 106.5; D14/205-206, D14/223, 224.1, 250, 344, 440; D24/167, D24/186; D11/2, 3, 5; D3/201, D3/273-274, 394; D13/108  
CPC ..... G04B 37/005; G04B 37/0058; G04B 37/0084; G04B 37/087; G04B 37/12; A44C 5/00; A44C 5/02; A44C 5/0007; A44C 5/0015; A44C 5/0023; A44C 5/0053; A44C 5/003; A44C 5/147; G06F 1/163; A61B 5/681  
See application file for complete search history.

(56) **References Cited**

U.S. PATENT DOCUMENTS

D329,201 S \* 9/1992 Barat ..... 224/165  
D604,501 S \* 11/2009 Lee ..... D3/201

D676,134 S \* 2/2013 Sævareid ..... D24/167  
D715,675 S \* 10/2014 Ma ..... D11/3  
D735,068 S \* 7/2015 Garcia Pla ..... D11/3  
D741,726 S \* 10/2015 Akana ..... D10/30  
D773,336 S \* 12/2016 Lee ..... D11/87  
D798,905 S \* 10/2017 Akana ..... D14/496

(Continued)

**OTHER PUBLICATIONS**

S1—True Wireless IN-ear Headphones | ebluetimes.com; no posting date [online]. © Shenzhen Blue times Technology Co., Ltd [retrieved May 5, 2021] from Internet: <http://www.ebluetimes.com/show/?id=1047> (Year: 2021).\*

*Primary Examiner* — Katherine Glennon

(74) *Attorney, Agent, or Firm* — Li & Cai Intellectual Property (USA) Office

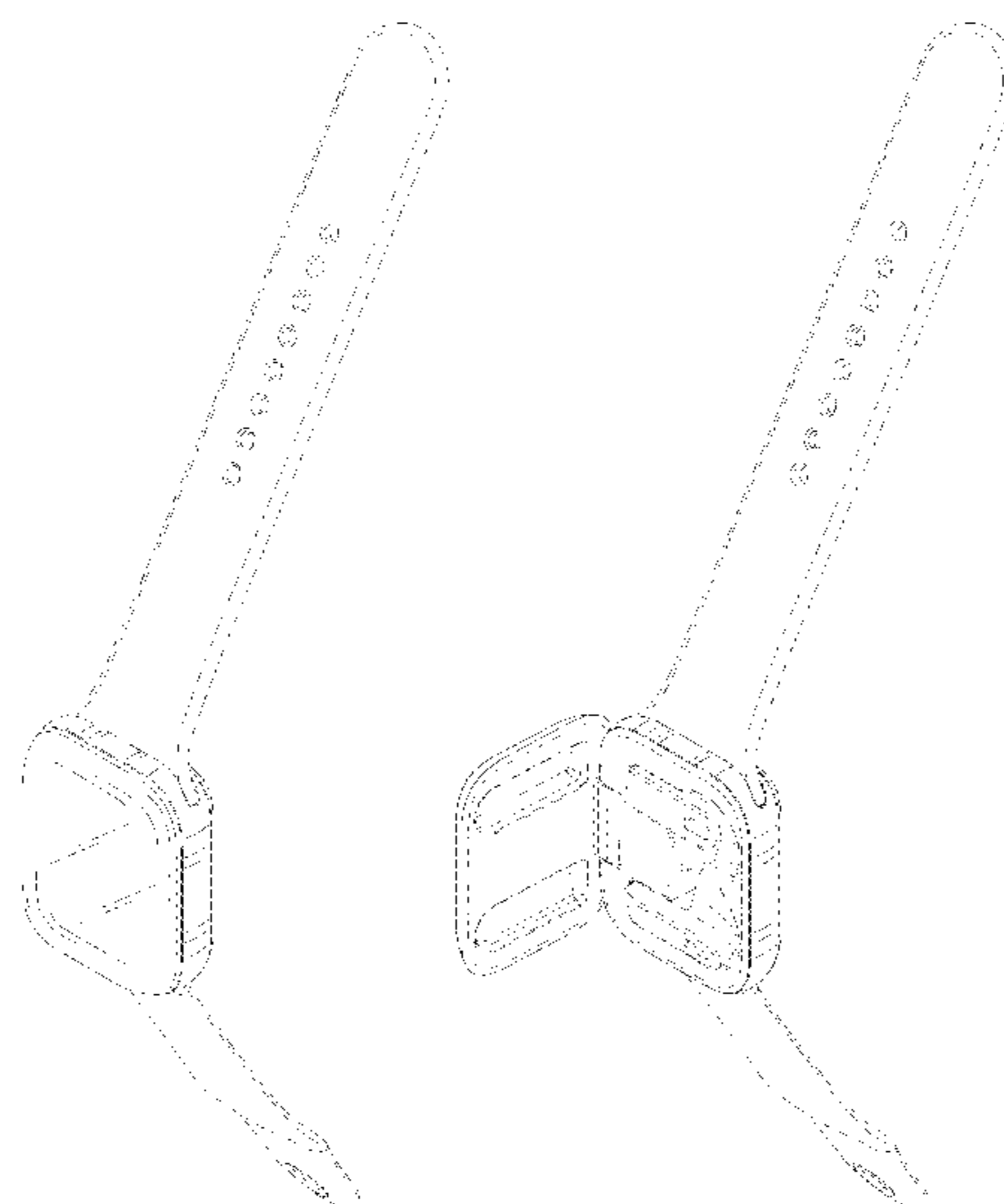
(57) **CLAIM**

The ornamental design for a wristwatch, as shown and described.

**DESCRIPTION**

FIG. 1 is a front top and right perspective view of a wristwatch showing my new design;  
FIG. 2 is a front elevational view thereof;  
FIG. 3 is a rear elevational view thereof;  
FIG. 4 is a left side elevational view thereof;  
FIG. 5 is a right side elevational view thereof;  
FIG. 6 is a top plan view thereof;  
FIG. 7 is a bottom plan view thereof;  
FIG. 8 is a front top and right perspective view thereof, wherein a cover of the wristwatch is opened and a pair of earphones is received therein; and,  
FIG. 9 is a front top and right perspective view thereof, wherein a cover of the wristwatch is opened and a pair of earphones is removed.  
The broken lines depict portions of the wristwatch in which the design is embodied that forms no part of the claimed design.

**1 Claim, 9 Drawing Sheets**



(56)

**References Cited**

## U.S. PATENT DOCUMENTS

10,058,149	B1 *	8/2018	Wittenberg .....	H01R 13/639
D828,352	S *	9/2018	Akana .....	D14/344
D837,206	S *	1/2019	Guan .....	D14/344
D839,583	S *	2/2019	Cao .....	D3/201
D839,753	S *	2/2019	Domke .....	D10/30
D843,864	S *	3/2019	Vandenbussche .....	D10/70
D870,451	S *	12/2019	Birger .....	D3/201
D877,145	S *	3/2020	Shin .....	D14/344
D878,048	S *	3/2020	Wang .....	D3/294
D887,287	S *	6/2020	Kong .....	D10/31
D888,664	S *	6/2020	Ma .....	D13/108
D891,434	S *	7/2020	Lee .....	D14/440
D897,664	S *	10/2020	Li .....	D3/201
D901,493	S *	11/2020	Gao .....	D14/344
D909,392	S *	2/2021	Lee .....	D14/440
D916,684	S *	4/2021	Fang .....	D14/223
2009/0031757	A1 *	2/2009	Harding .....	A44C 5/003 63/3.2
2015/0033794	A1 *	2/2015	Ma .....	A01K 27/006 63/1.13
2016/0255923	A1 *	9/2016	Lee .....	A44C 25/004

\* cited by examiner

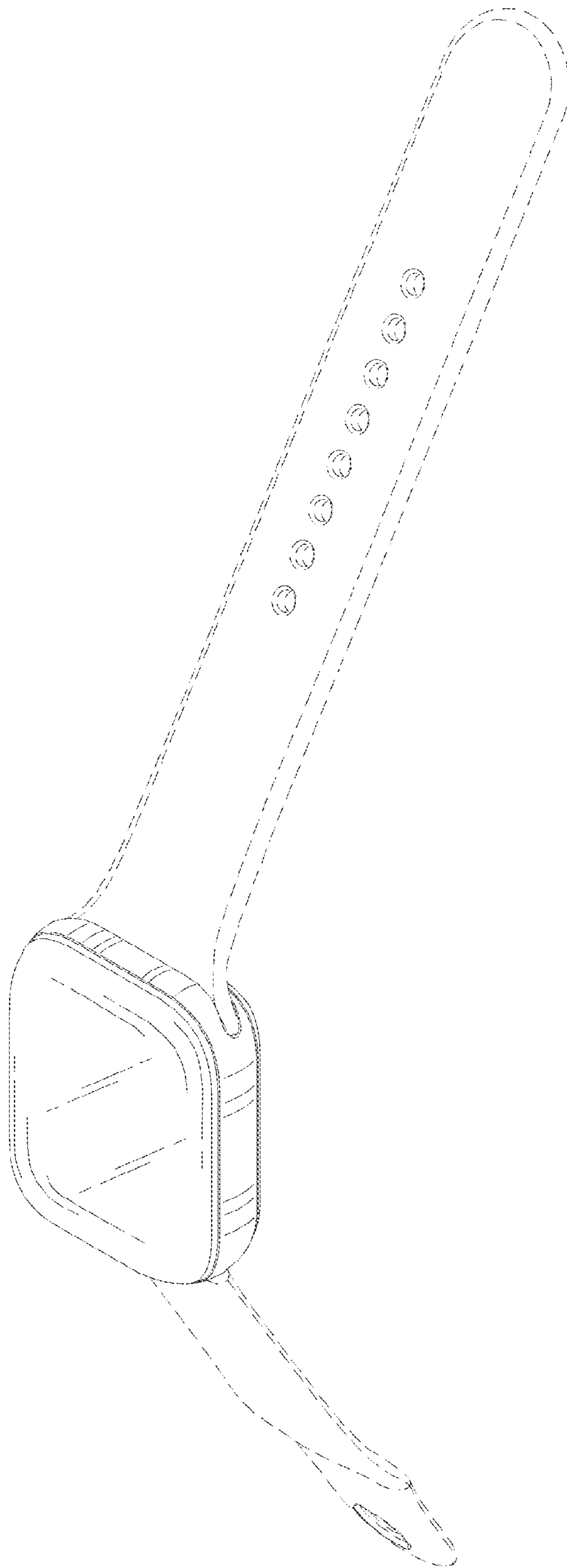


FIG. 1

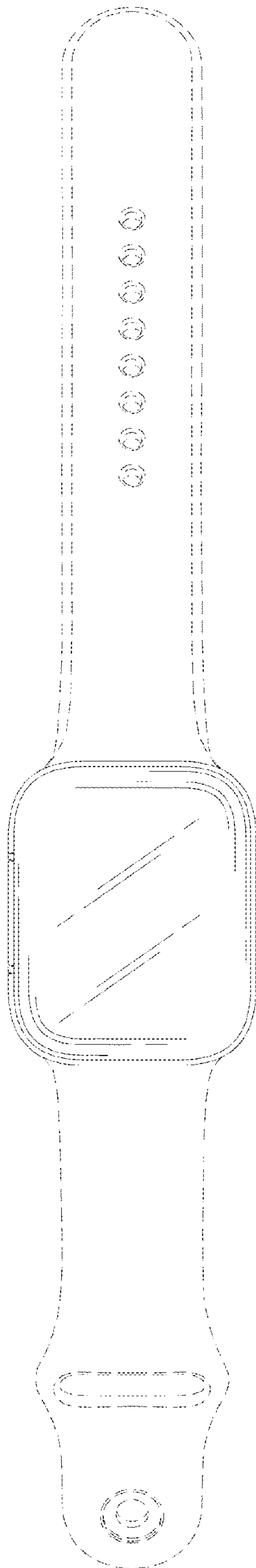


FIG. 2

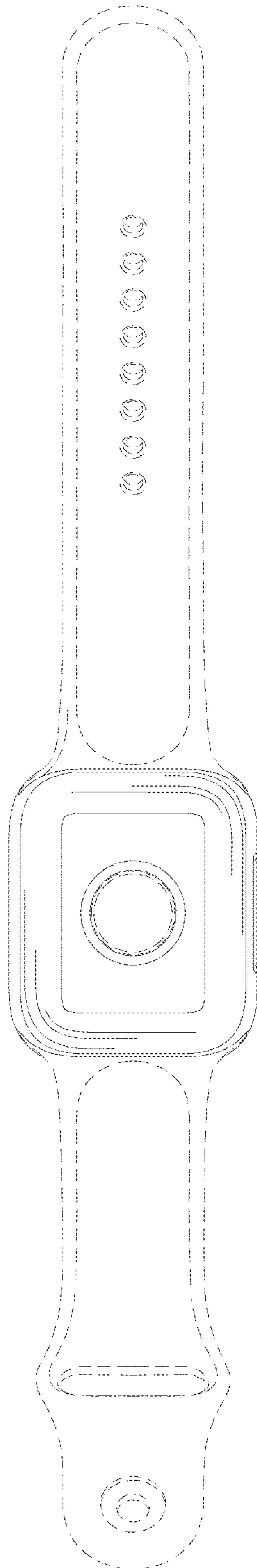


FIG. 3

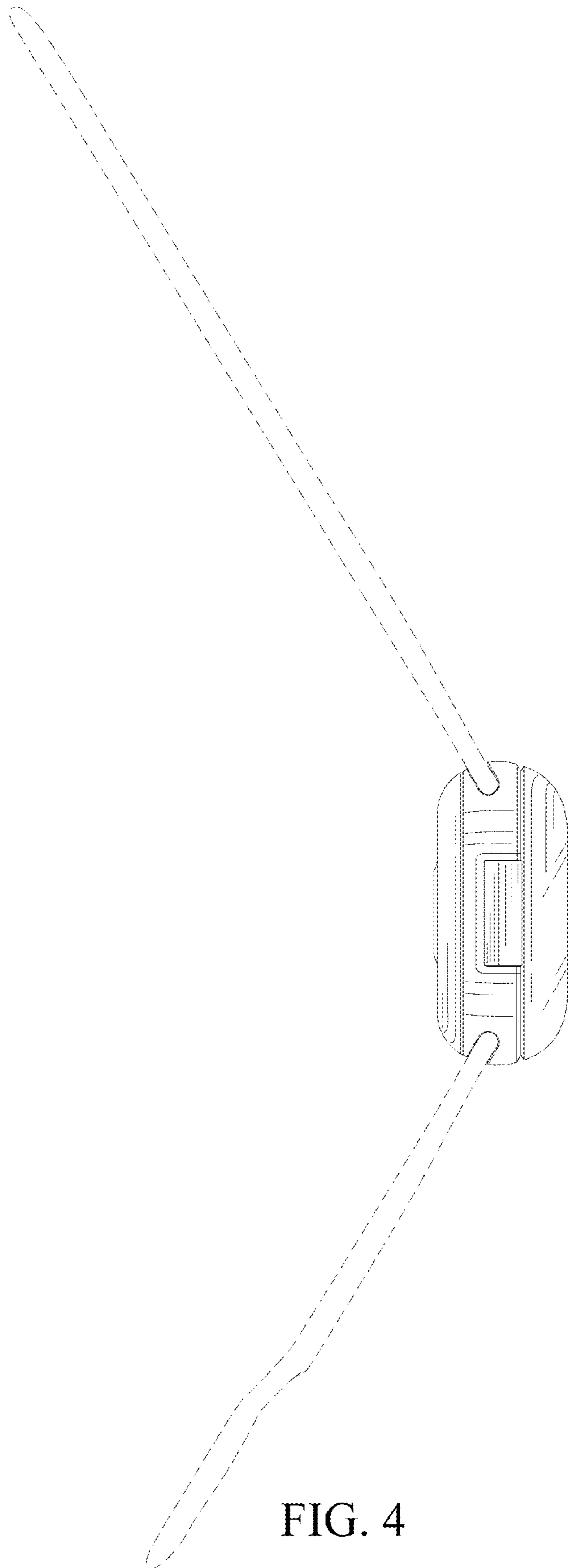


FIG. 4

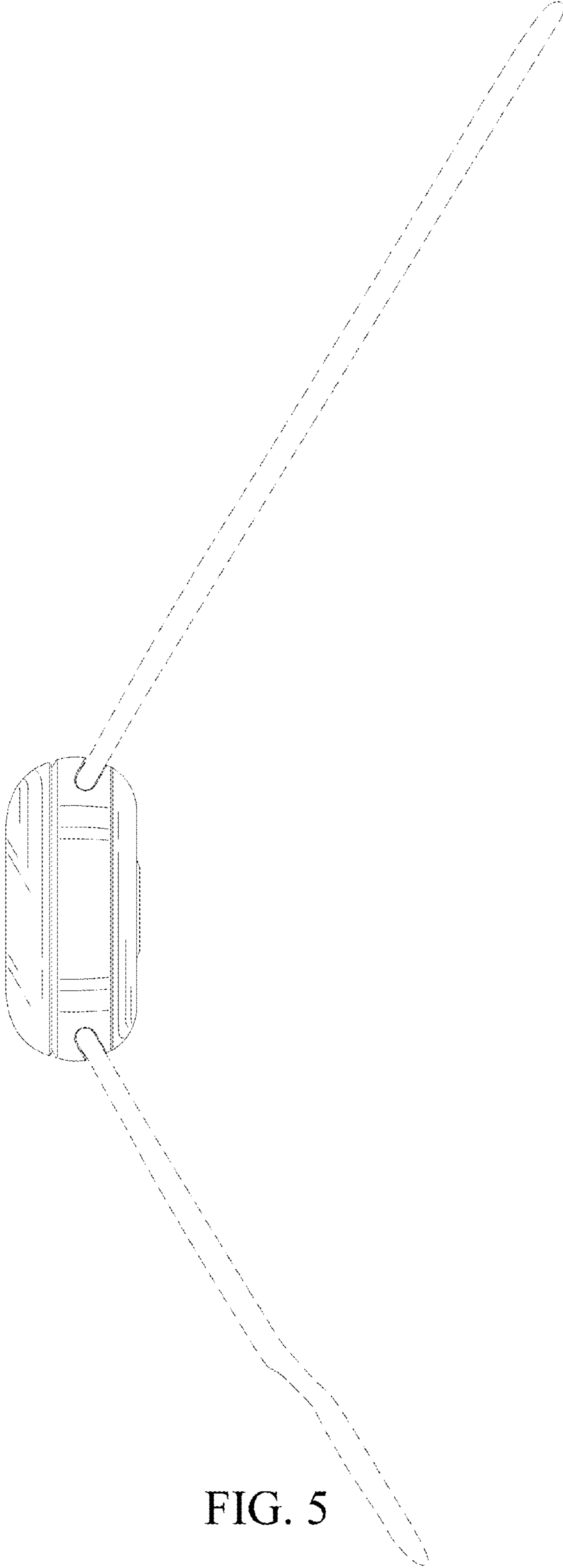


FIG. 5

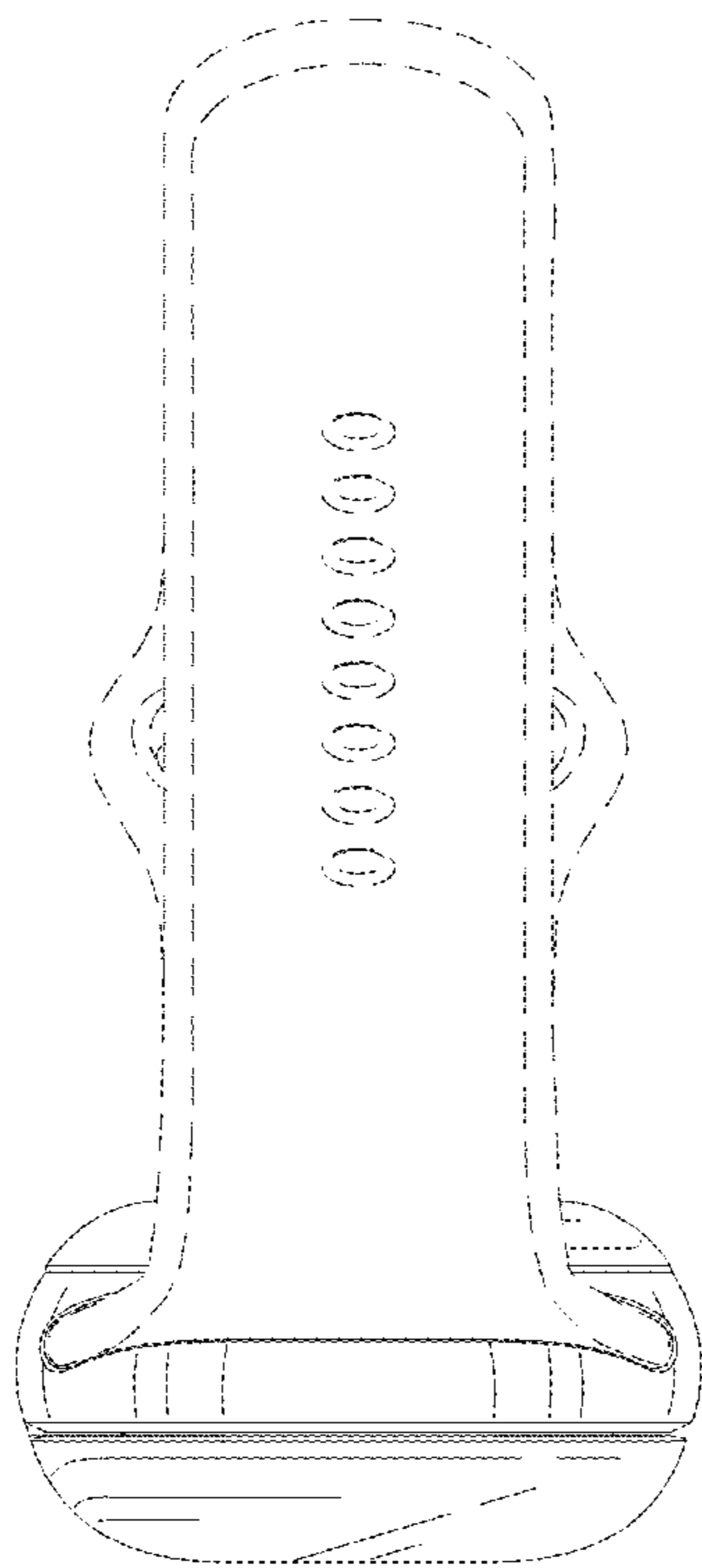


FIG. 6



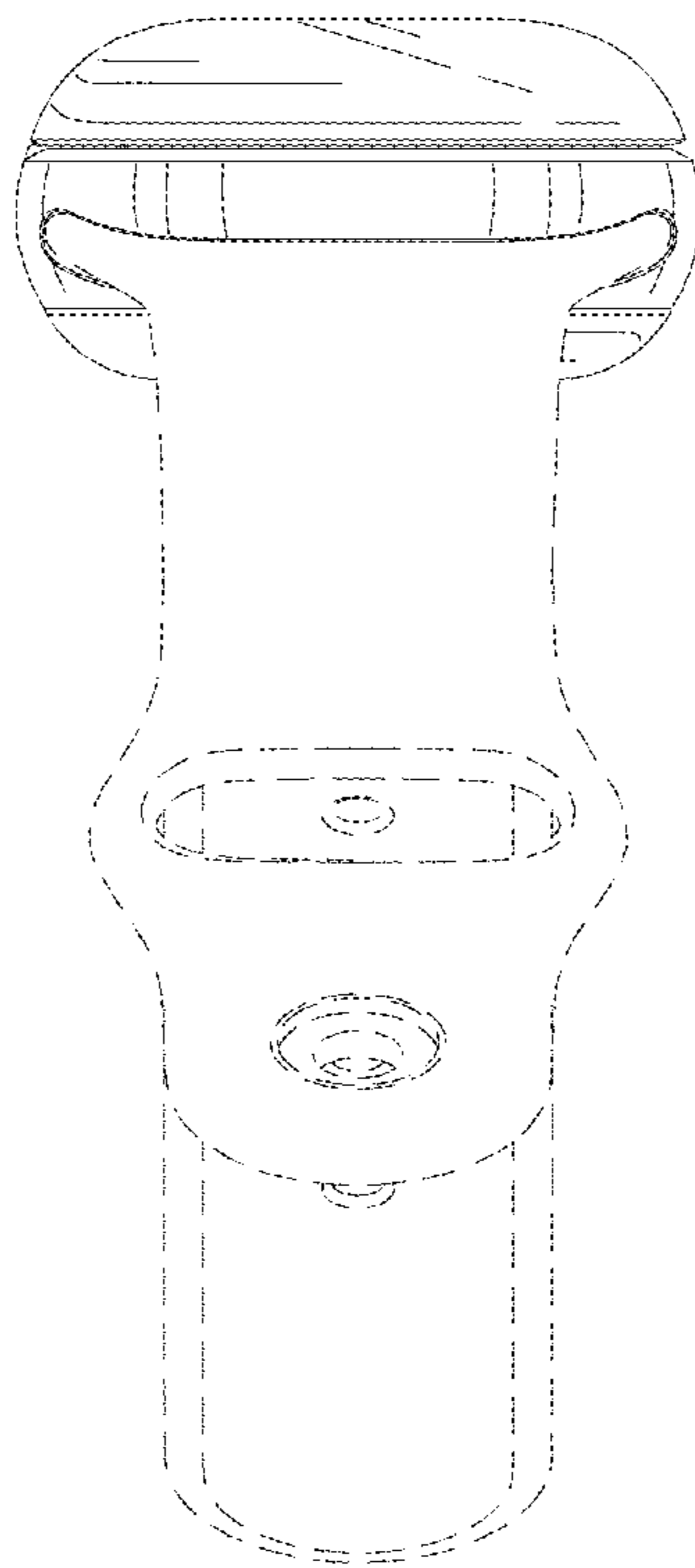


FIG. 7

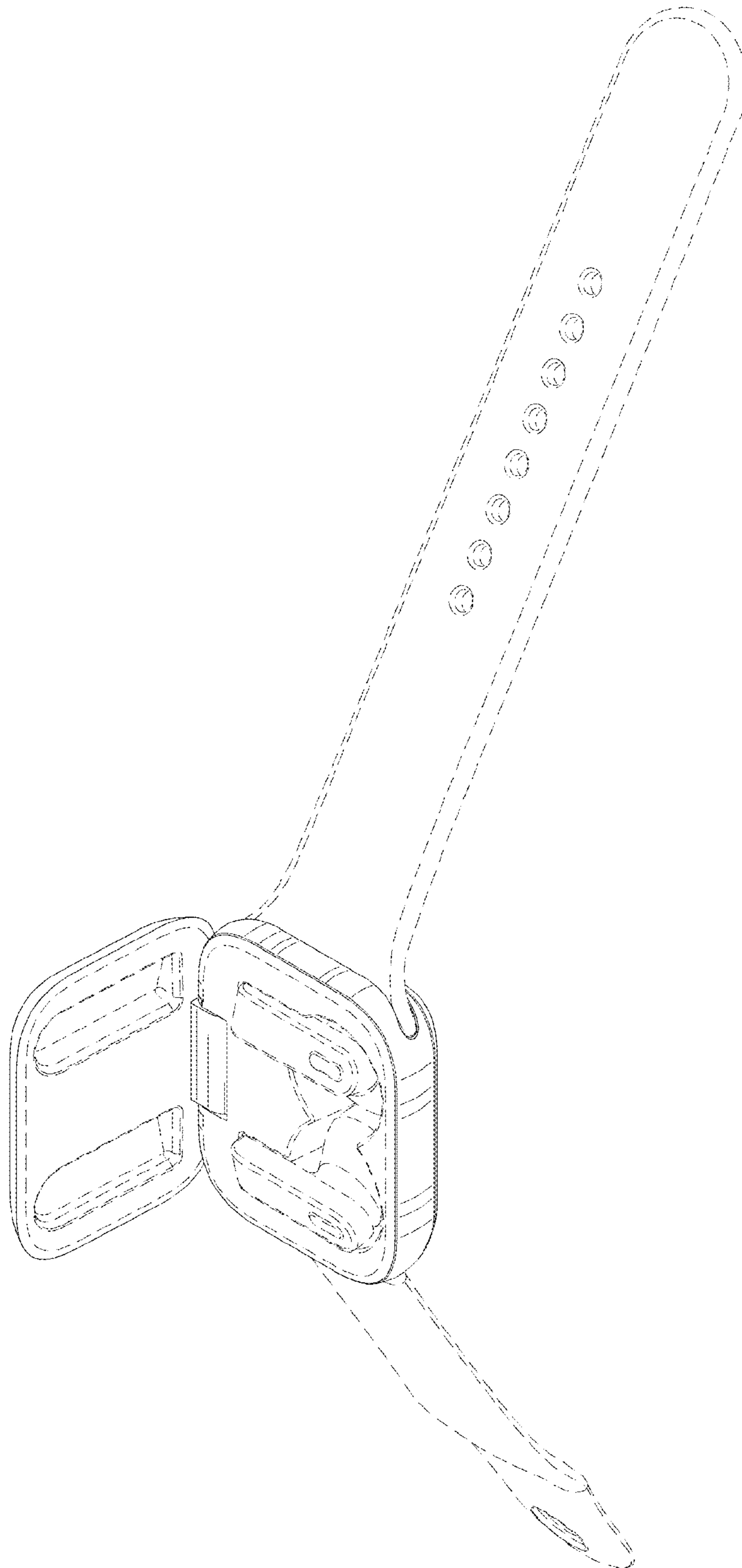


FIG. 8

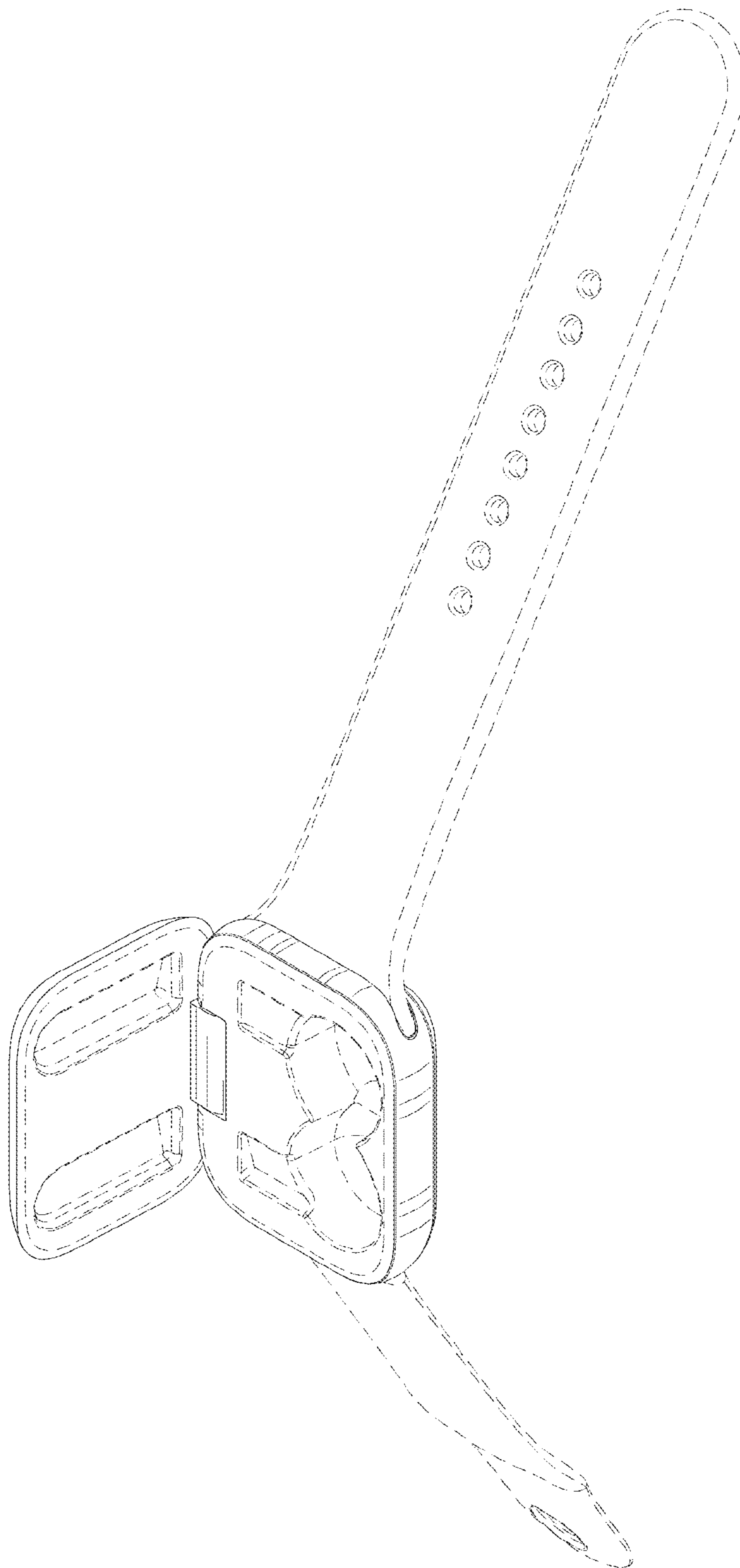


FIG. 9