



US00D933494S

(12) **United States Design Patent** (10) **Patent No.:** **US D933,494 S**
Tempfli et al. (45) **Date of Patent:** **** Oct. 19, 2021**

(54) **PACKAGING BOTTLE FOR LIQUIDS**

(71) Applicants: **Karl Tempfli**, Gottmadingen (DE);
Volker Heinzle, Krauchenwies (DE);
Magdalena Orasche, Freyung (DE)

(72) Inventors: **Karl Tempfli**, Gottmadingen (DE);
Volker Heinzle, Krauchenwies (DE);
Magdalena Orasche, Freyung (DE)

(73) Assignee: **Aptar Radolfzell GmbH**, Radolfzell
(DE)

(**) Term: **15 Years**

(21) Appl. No.: **29/675,091**

(22) Filed: **Dec. 28, 2018**

(30) **Foreign Application Priority Data**

Jul. 10, 2018 (EM) 005499258

(51) **LOC (13) Cl.** **09-01**

(52) **U.S. Cl.**
USPC **D9/724**

(58) **Field of Classification Search**
USPC D9/549, 551, 558, 559, 723, 724, 726;
D7/300, 312; D24/197; D28/88, 89
CPC B05B 11/3059; B05B 11/0027; B05B
11/0032; B05B 11/3004; B05B 11/3015;
B05B 11/306; B05B 11/3064

See application file for complete search history.

(56) **References Cited**

U.S. PATENT DOCUMENTS

D32,085 S 1/1900 Estes
D172,777 S 8/1954 Bernabó et al.
D204,352 S 4/1966 Eizenberg
D242,327 S 11/1976 Schneider
4,801,049 A 1/1989 Thompson
D299,865 S 2/1989 Kamstrup-Larsen et al.
4,830,224 A 5/1989 Brison

D302,175 S * 7/1989 Ohashi D19/163
D302,296 S 7/1989 Harmony
D309,156 S 7/1990 Kuwabara
D318,233 S 7/1991 Ackerman
D323,710 S 2/1992 Kasai et al.
D327,327 S 6/1992 Deguchi et al.
D356,150 S 3/1995 Duggan et al.
D358,464 S 5/1995 Anderson
D389,279 S * 1/1998 Ryder D28/89
D406,336 S 3/1999 Ernesto et al.
6,090,086 A 7/2000 Bolden
D441,145 S * 4/2001 Chang D28/88
D441,916 S * 5/2001 Faillant-Dumas D28/88
6,238,352 B1 5/2001 Gillings et al.

(Continued)

FOREIGN PATENT DOCUMENTS

DE 102009006428 A1 8/2010

OTHER PUBLICATIONS

U.S. Appl. No. 29/675,084, filed Dec. 28, 2018.

(Continued)

Primary Examiner — Lauren R Calve

(74) *Attorney, Agent, or Firm* — Flynn Thiel, P.C.

(57) **CLAIM**

The ornamental design for a packaging bottle for liquids, as shown and described.

DESCRIPTION

FIG. 1 is a perspective view of a packaging bottle for liquids showing our new design;

FIG. 2 is a front view thereof;

FIG. 3 is a right side view thereof;

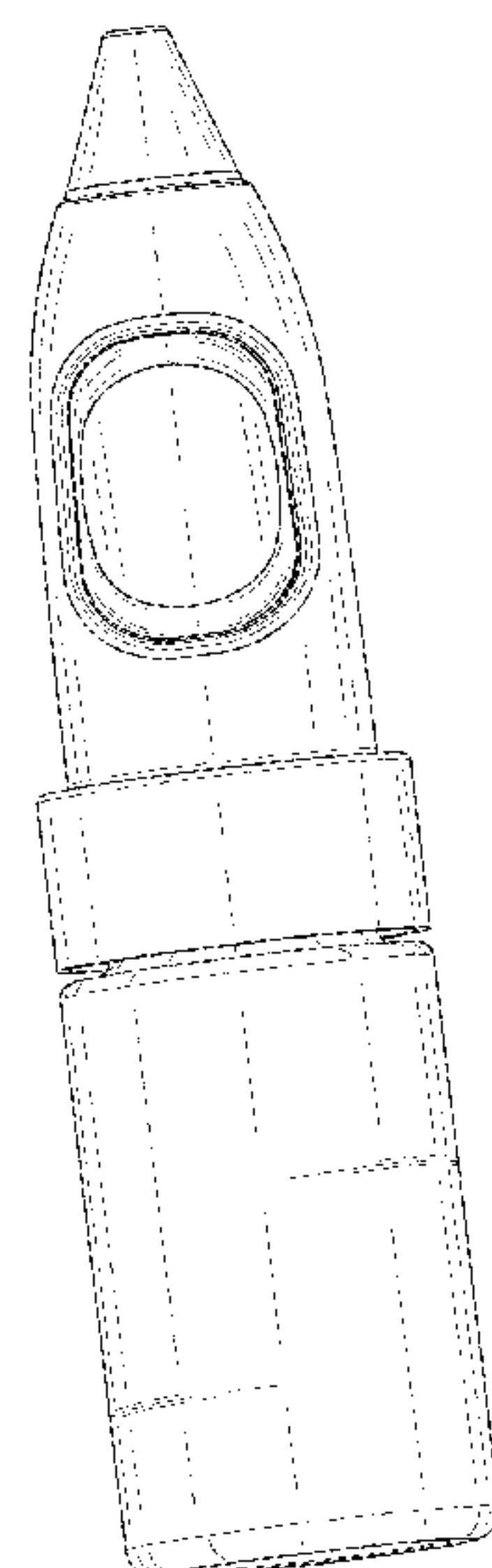
FIG. 4 is a rear view thereof;

FIG. 5 is a left side view thereof;

FIG. 6 is a top view thereof; and,

FIG. 7 is a bottom view thereof.

1 Claim, 6 Drawing Sheets



(56)

References Cited

U.S. PATENT DOCUMENTS

D447,949 S 9/2001 Richardson
 D452,311 S 12/2001 Guala
 D465,844 S 11/2002 Anderson et al.
 6,561,711 B1 * 5/2003 Pierpont A45D 40/06
 401/192
 D494,677 S 8/2004 Garvin
 D497,282 S 10/2004 Kelly et al.
 D515,431 S 2/2006 Dehaene
 D520,106 S 5/2006 Jones et al.
 D539,984 S * 4/2007 Egawa D28/89
 D543,469 S 5/2007 Py et al.
 D544,957 S * 6/2007 Bloc D24/110
 D551,569 S * 9/2007 Tanaka D9/724
 D567,669 S 4/2008 Py et al.
 D574,232 S 8/2008 Py et al.
 D574,731 S 8/2008 Py et al.
 D579,786 S * 11/2008 Py D9/724
 D584,150 S 1/2009 Gibson et al.
 D586,856 S 2/2009 Yagyu
 D591,617 S 5/2009 Mora-Hernandez et al.
 D607,345 S 1/2010 Bleimeyer et al.
 D608,659 S 1/2010 Py et al.
 D623,539 S 9/2010 deVirag et al.
 D625,200 S 10/2010 Py et al.
 D632,017 S * 2/2011 Lee D28/89
 D633,384 S 3/2011 Tanaka
 D655,621 S * 3/2012 Py D9/724
 D656,192 S * 3/2012 Chen D19/163
 D658,982 S 5/2012 Pauser et al.
 D672,253 S 12/2012 Lee
 D673,059 S 12/2012 Park
 D679,828 S 4/2013 Motadel et al.
 D687,563 S 8/2013 Tamura
 D691,040 S 10/2013 Wade et al.
 D711,542 S 8/2014 Pierson et al.
 D712,257 S 9/2014 Schwall et al.
 D718,128 S 11/2014 Greathouse
 D726,553 S 4/2015 Koptis et al.
 D748,476 S 2/2016 Lakstins
 D763,078 S 8/2016 Roy
 D770,287 S 11/2016 Holaschke
 D790,341 S 6/2017 Ross et al.
 9,718,074 B2 8/2017 Deng et al.
 D797,371 S 9/2017 Stadlbauer

D801,830 S 11/2017 Zhang et al.
 D802,430 S 11/2017 Shinoda et al.
 D803,056 S 11/2017 Pellerin
 D808,822 S * 1/2018 Villarreal D9/724
 D817,168 S 5/2018 Barabino et al.
 D818,823 S 5/2018 Blachford et al.
 D823,685 S 7/2018 Burgeson et al.
 D852,042 S 6/2019 Dahbura
 D878,209 S 3/2020 Jasso Gomez
 D881,716 S * 4/2020 Tempfli D9/724
 D882,412 S * 4/2020 Tempfli D9/724
 D889,278 S * 7/2020 Tempfli D9/724
 D895,438 S 9/2020 Heiser et al.
 D902,035 S 11/2020 Kim
 D902,053 S * 11/2020 Morgan D9/715
 D909,204 S * 2/2021 Tempfli D9/448
 D909,889 S 2/2021 Miyatake et al.
 2002/0176734 A1 * 11/2002 Keating A45D 34/042
 401/270
 2008/0118299 A1 * 5/2008 Py B05B 11/007
 2008/0131191 A1 6/2008 deVirag et al.
 2009/0236374 A1 * 9/2009 Pardes B05B 11/3032
 222/494
 2010/0187260 A1 * 7/2010 Stadelhofer B05B 11/0027
 222/207
 2010/0206908 A1 8/2010 Pruvot
 2010/0254749 A1 * 10/2010 Amiconi C11D 17/041
 401/196
 2014/0097207 A1 4/2014 Szymiczek et al.
 2014/0263457 A1 9/2014 Barber et al.
 2015/0088069 A1 * 3/2015 Kim B05B 11/3015
 604/149
 2015/0284177 A1 10/2015 Patil et al.
 2015/0335528 A1 11/2015 Kim et al.
 2019/0029395 A1 * 1/2019 Porter A45D 34/04
 2019/0111448 A1 * 4/2019 Greiner-Perth B05B 11/3015

OTHER PUBLICATIONS

U.S. Appl. No. 29/675,085, filed Dec. 28, 2018.
 U.S. Appl. No. 29/675,095, filed Dec. 28, 2018.
 U.S. Appl. No. 29/675,097, filed Dec. 28, 2018.
 U.S. Appl. No. 29/675,098, filed Dec. 28, 2018.
 U.S. Appl. No. 29/675,099, filed Dec. 28, 2018.

* cited by examiner

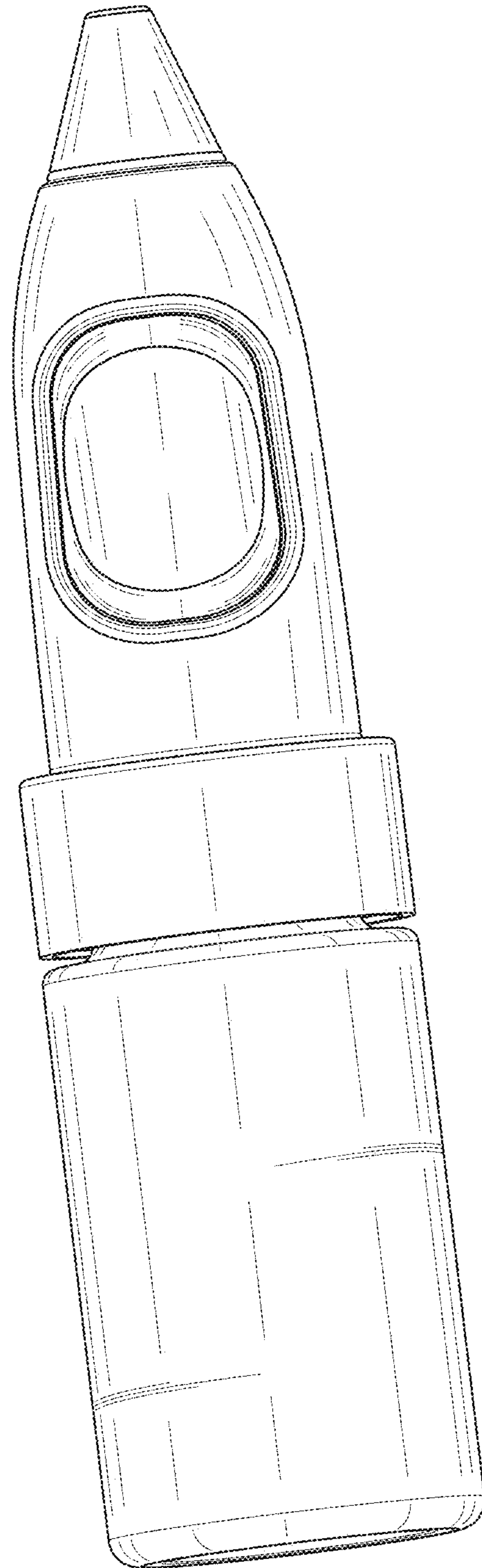


FIG. 1

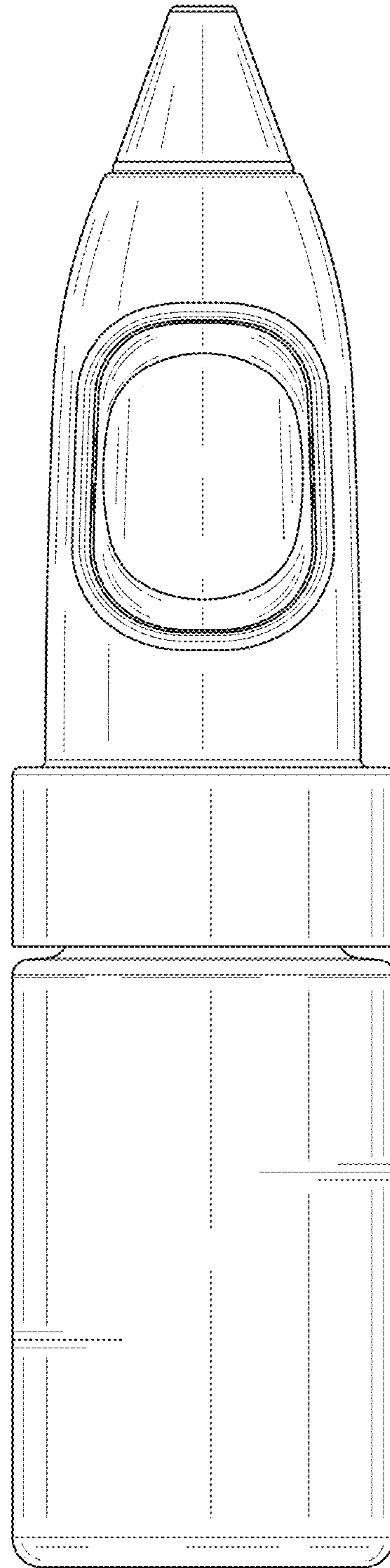


FIG. 2

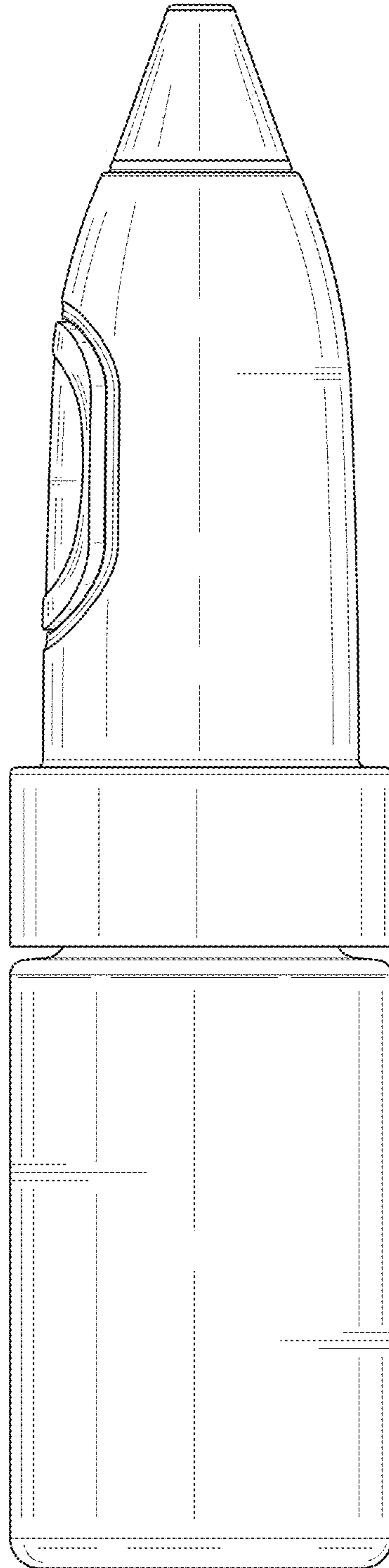


FIG. 3

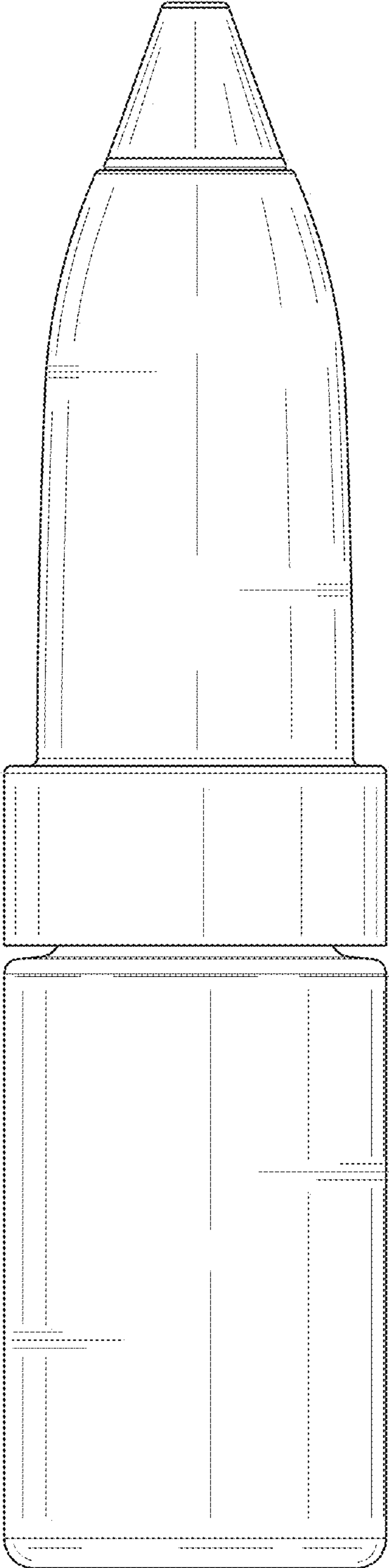


FIG. 4

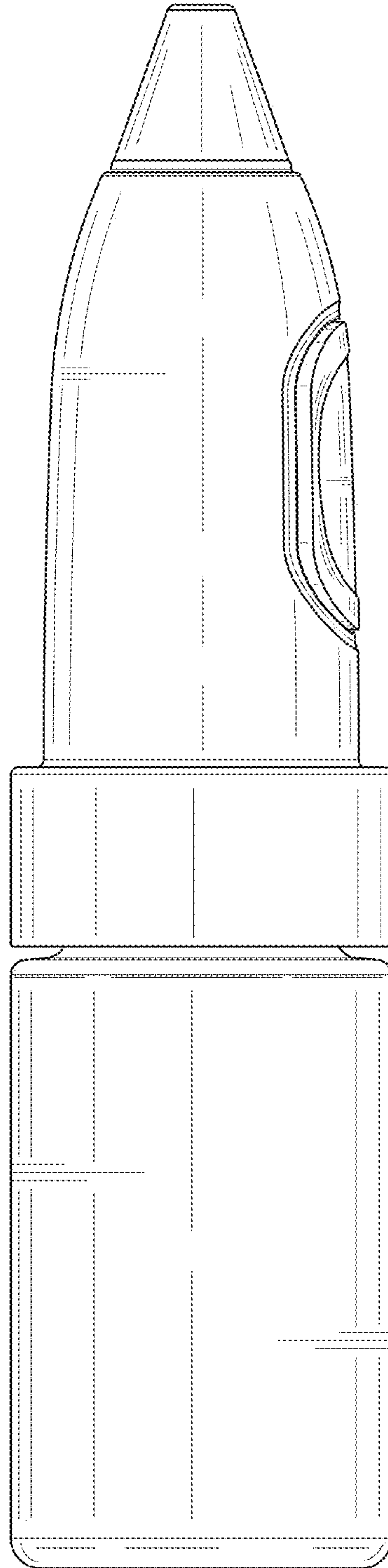


FIG. 5

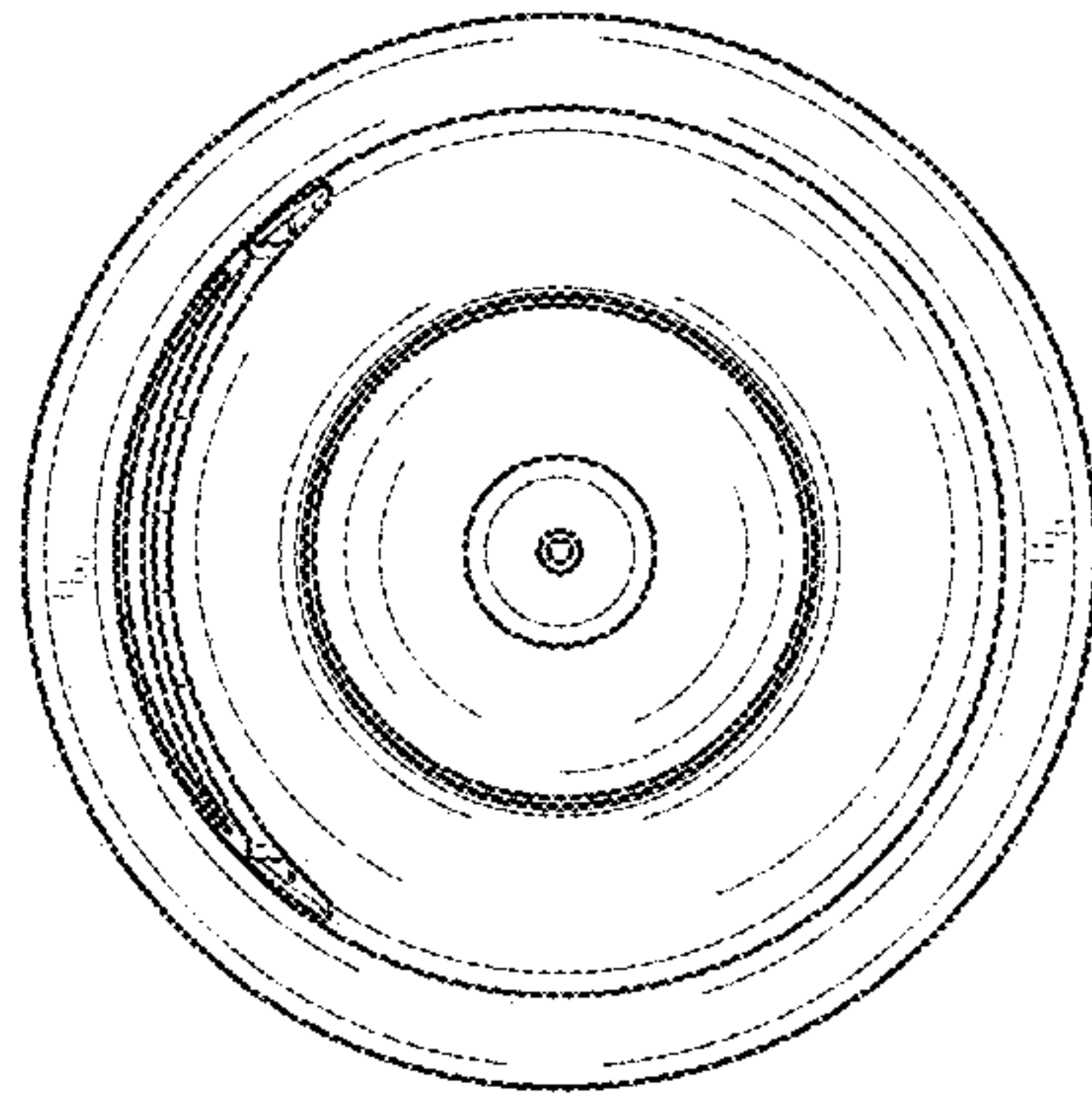


FIG. 6

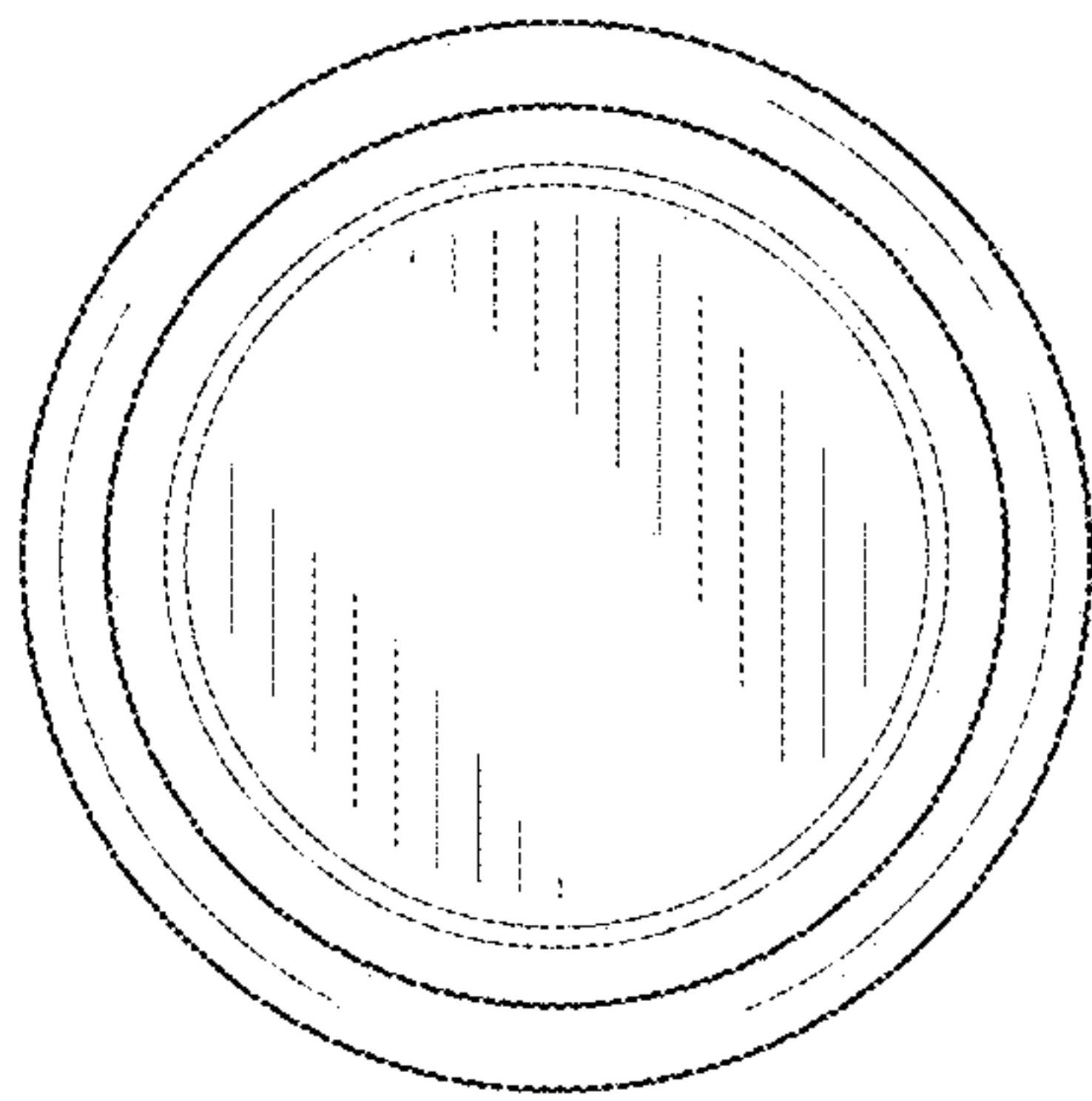


FIG. 7