



US00D933493S

(12) **United States Design Patent**
Huchet

(10) **Patent No.:** **US D933,493 S**
(45) **Date of Patent:** **** Oct. 19, 2021**

- (54) **DISPENSER**
- (71) Applicant: **Aptar Radolfzell GmbH**, Radolfzell (DE)
- (72) Inventor: **Line Huchet**, Saint-Germain-en-Laye (FR)
- (73) Assignee: **APTAR RADOLFZELL GMBH**, Radolfzell (DE)
- (**) Term: **15 Years**
- (21) Appl. No.: **29/734,653**
- (22) Filed: **May 14, 2020**
- (30) **Foreign Application Priority Data**

3,166,221 A *	1/1965	Nielsen	A61M 3/00
			222/137
5,335,827 A *	8/1994	Gentile	B60P 3/42
			222/137
5,851,078 A	12/1998	Bow et al.	
6,299,019 B1	10/2001	Leight	
6,672,483 B1 *	1/2004	Roy	B05B 11/0038
			222/145.1
D541,990 S	5/2007	Hsu	
D687,143 S	7/2013	Ogura et al.	
D749,430 S *	2/2016	Abel	D9/740
D830,854 S	10/2018	Kellman	
10,675,647 B2 *	6/2020	Kim	B05B 11/00416
10,940,094 B2	3/2021	Albanawi et al.	
2006/0065674 A1 *	3/2006	Lasserre	B65D 83/68
			222/137

(Continued)

- Apr. 3, 2020 (EM) 007790134
- (51) **LOC (13) Cl.** **09-01**
- (52) **U.S. Cl.**
USPC **D9/723**
- (58) **Field of Classification Search**
USPC D9/549, 551, 558, 559, 723, 724, 726;
D7/300, 312; D24/119; D28/88, 89
CPC B05B 11/3059; B05B 11/0027; B05B
11/0032; B05B 11/3004; B05B 11/3015;
B05B 11/306; B05B 11/3064; A45D
40/24; A45D 2200/055; A45D 2200/056;
A45D 2200/1036; A45D 2034/005; A45D
40/02; A61J 7/0076
See application file for complete search history.

(56) **References Cited**
U.S. PATENT DOCUMENTS

1,767,928 A *	6/1930	Jellison	A61C 5/68
			222/139
D120,662 S *	5/1940	Christy	D28/86
2,766,876 A *	10/1956	Hopgood	A45D 40/24
			401/30

OTHER PUBLICATIONS

U.S. Appl. No. 29/734,651, filed May 14, 2020.

Primary Examiner — Lauren R Calve

(74) *Attorney, Agent, or Firm* — Flynn Thiel, P.C.

(57) **CLAIM**

The ornamental design for a dispenser, as shown and described.

DESCRIPTION

FIG. 1 is a perspective view of a dispenser showing my new design;

FIG. 2 is a front view thereof;

FIG. 3 is a right side view thereof;

FIG. 4 is a rear view thereof;

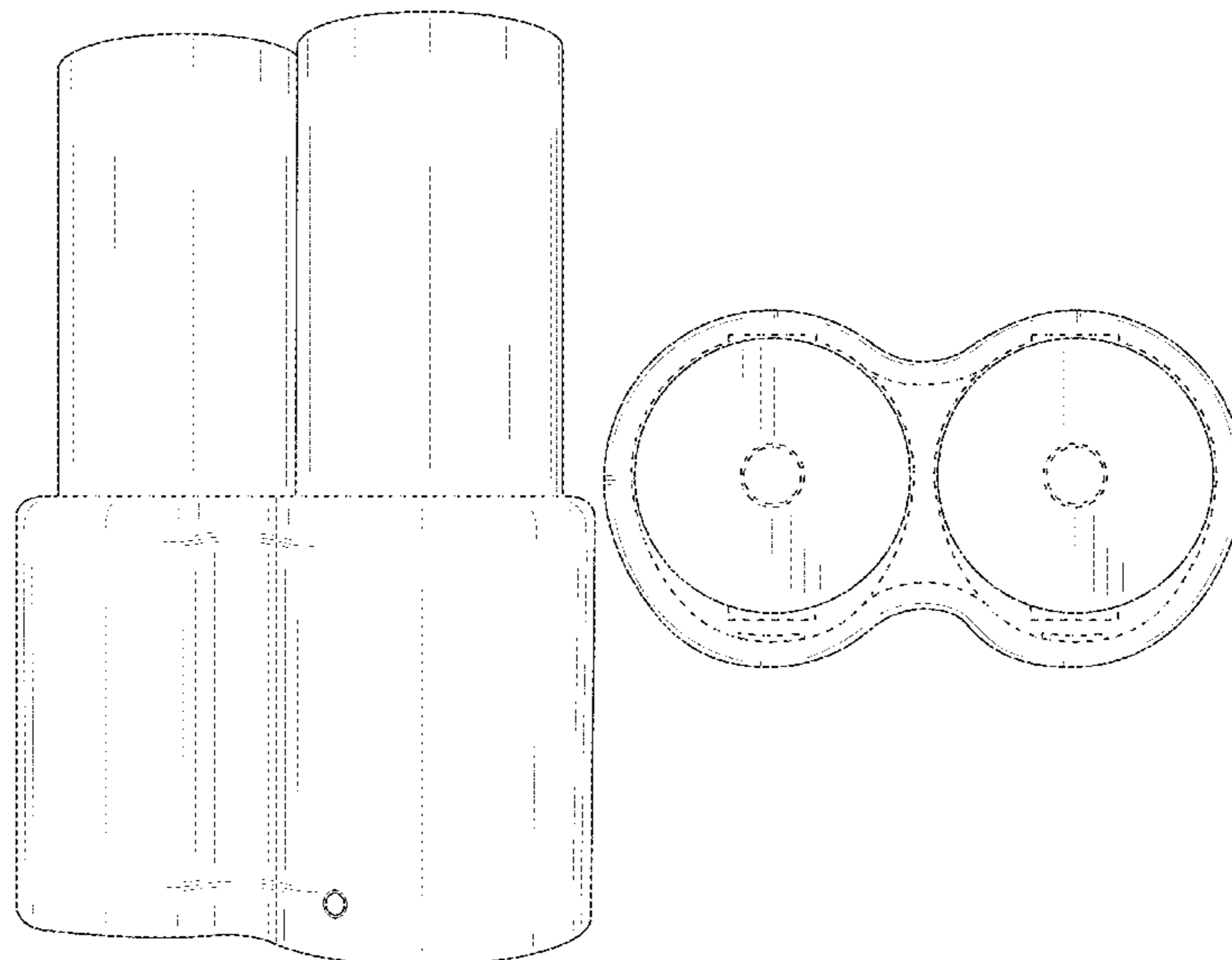
FIG. 5 is a left side view thereof;

FIG. 6 is a top view thereof; and,

FIG. 7 is a bottom view thereof.

The broken lines are shown for the purpose of illustrating environmental subject matter of an exemplary dispenser and form no part of the claimed design.

1 Claim, 7 Drawing Sheets



(56)

References Cited

U.S. PATENT DOCUMENTS

2013/0264358 A1 * 10/2013 Fallat, II B01F 13/0023
222/136
2014/0263425 A1 9/2014 Akdogan et al.
2017/0165695 A1 6/2017 Chen
2021/0000240 A1 1/2021 Lee

* cited by examiner

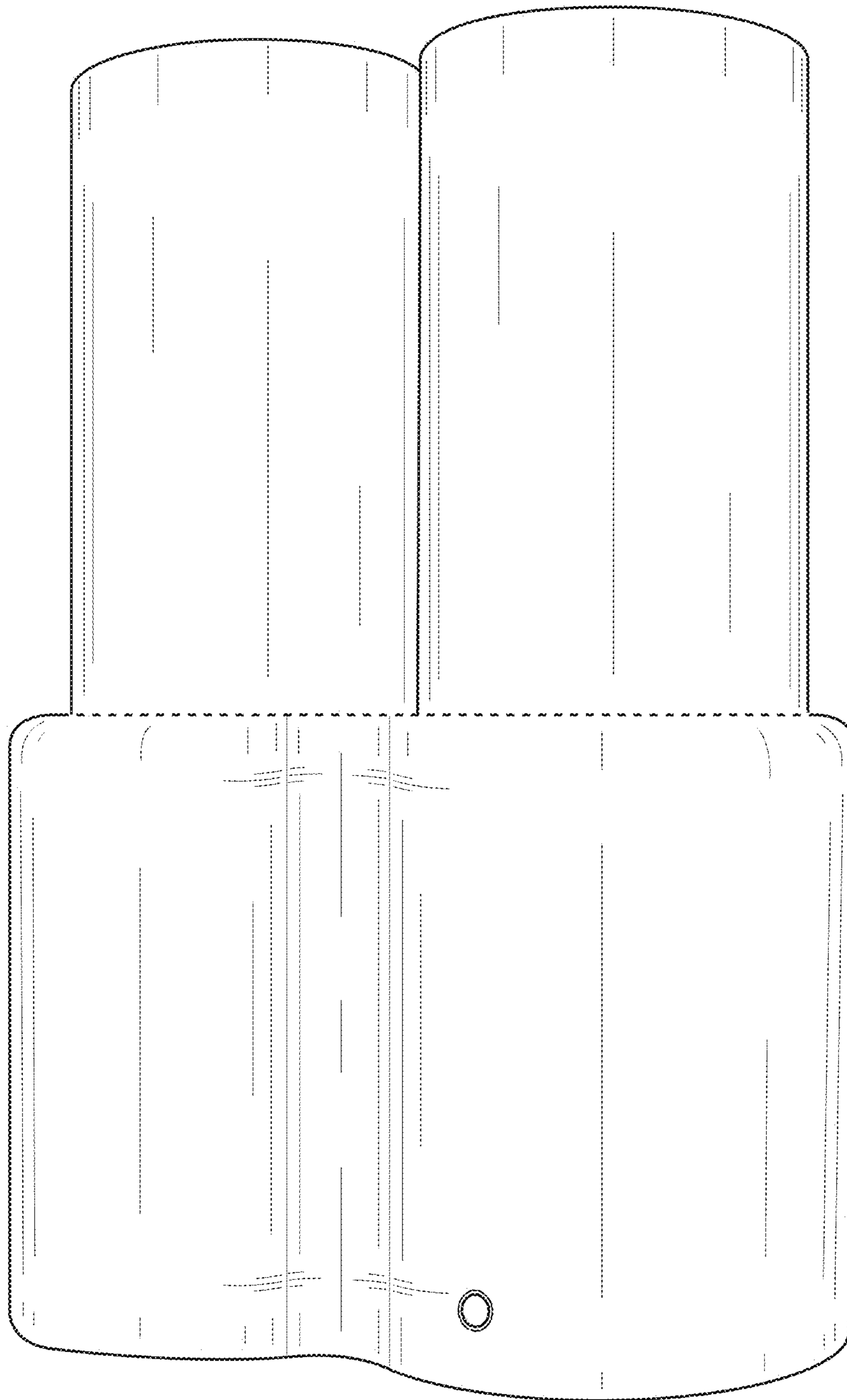


FIG. 1

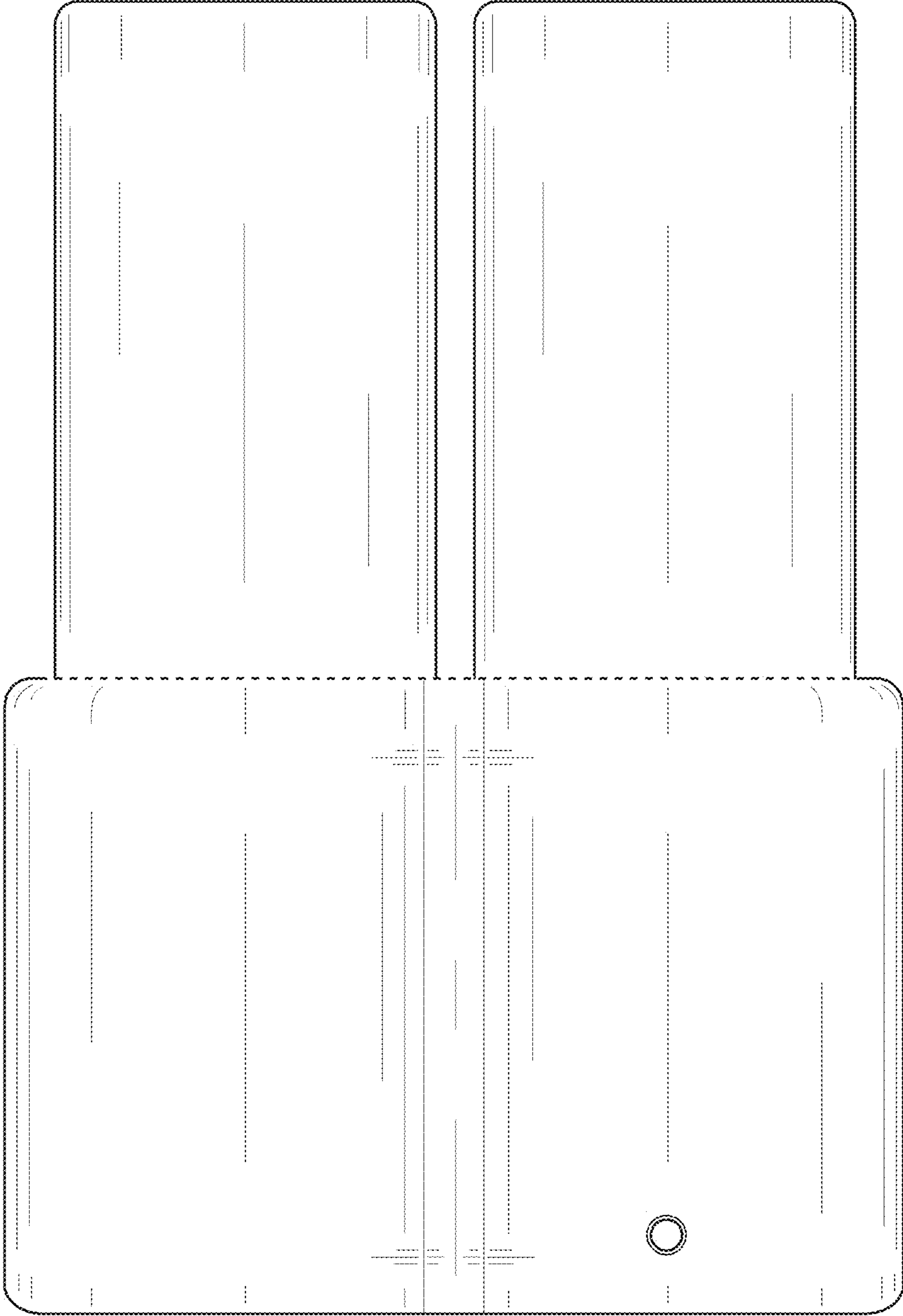


FIG. 2

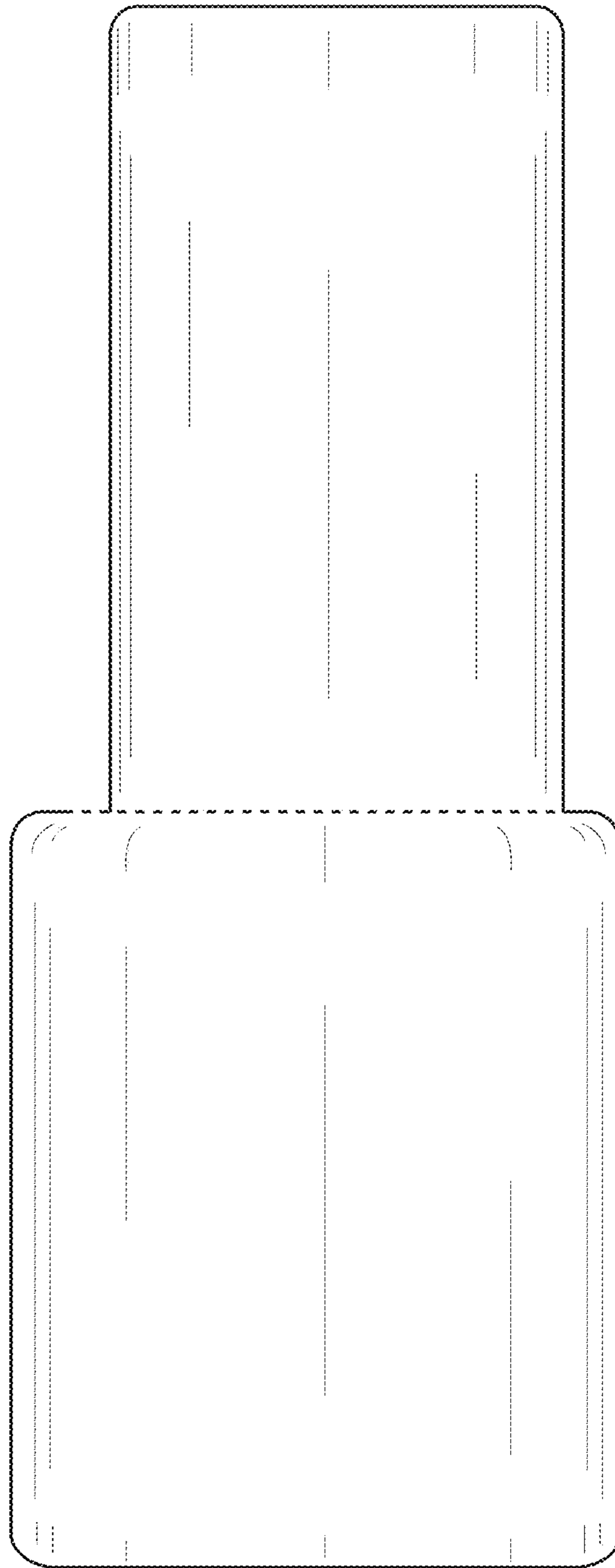


FIG. 3

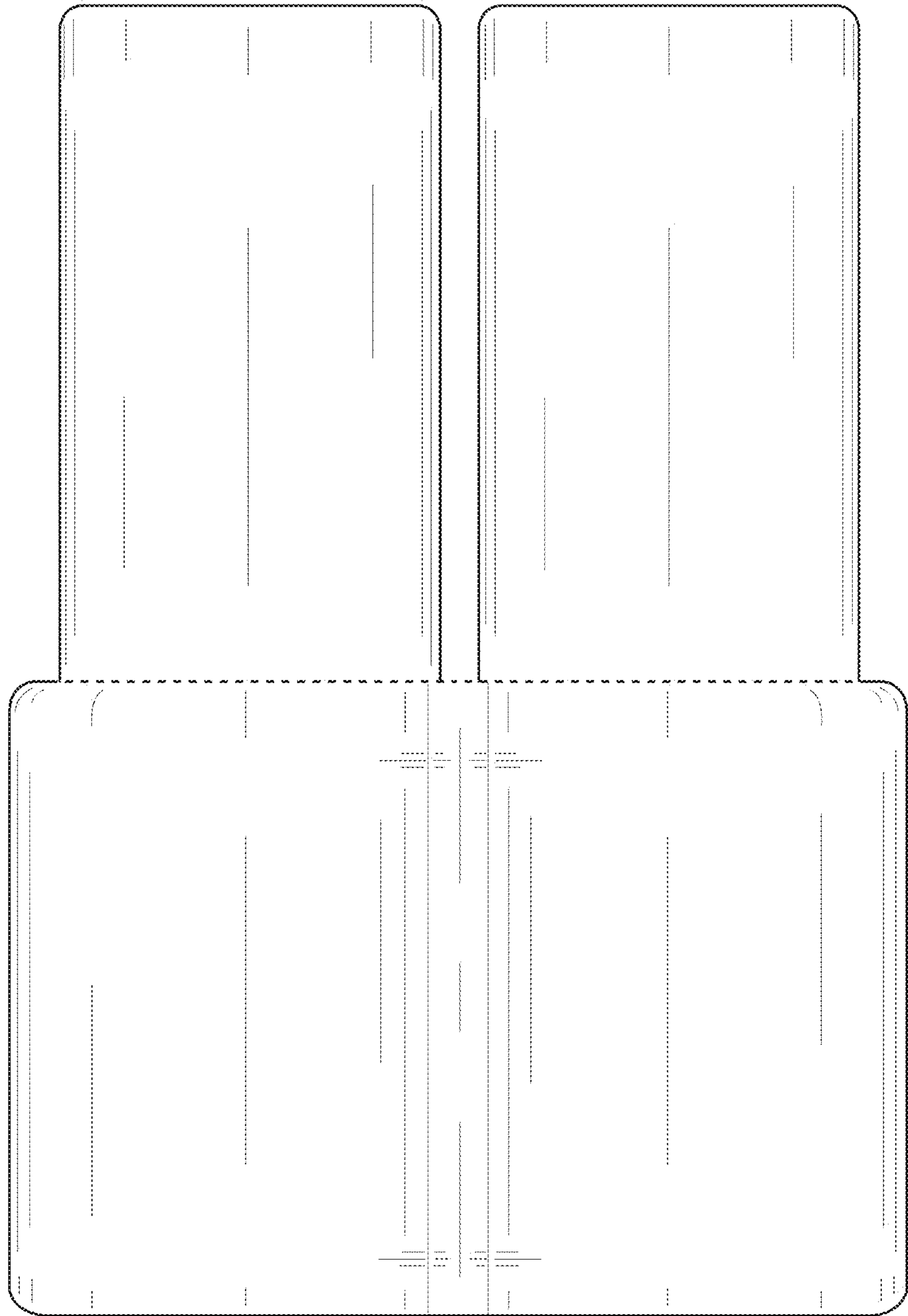


FIG. 4

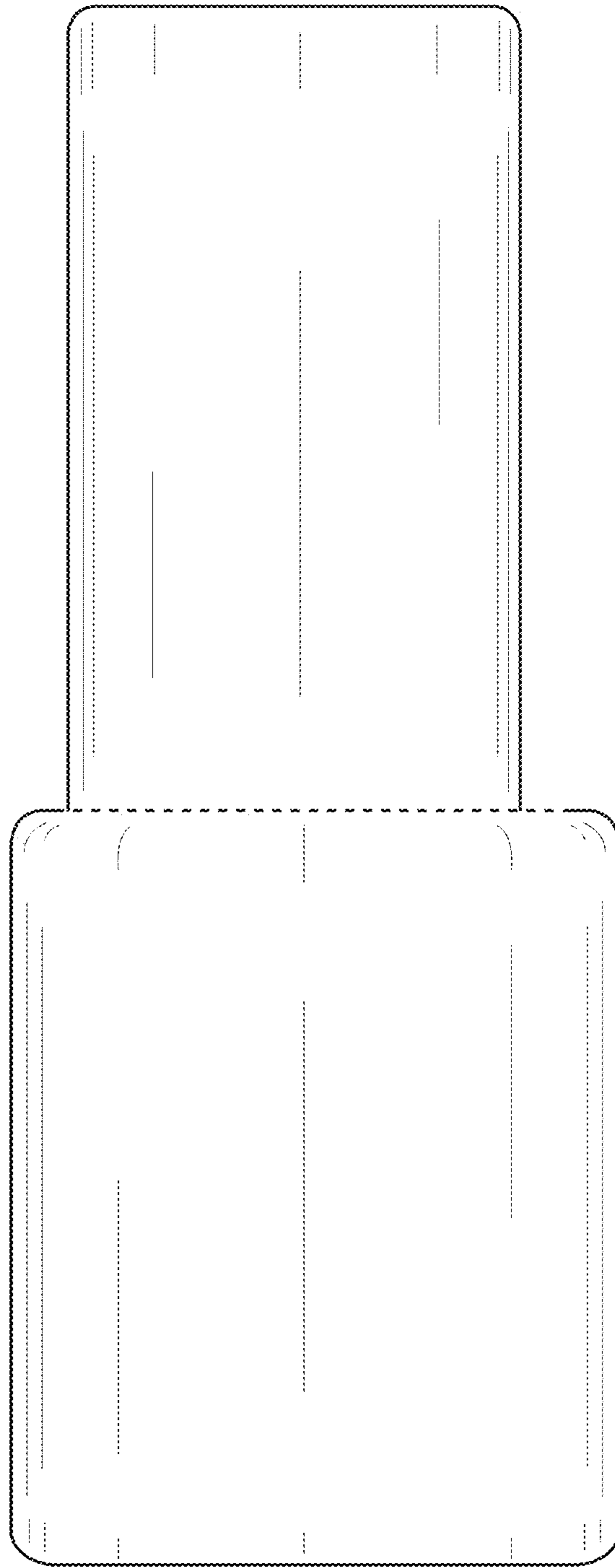


FIG. 5

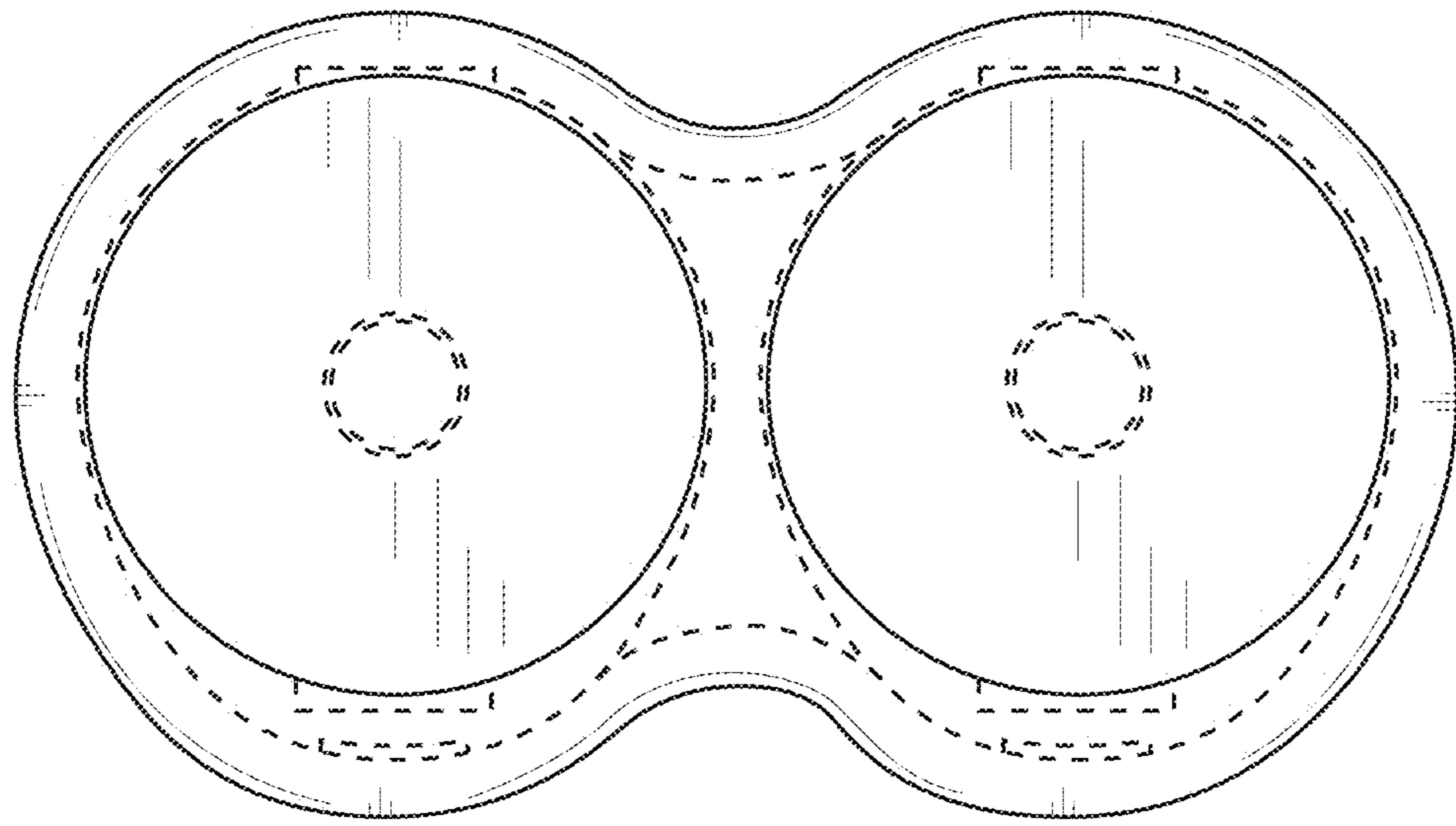


FIG. 6

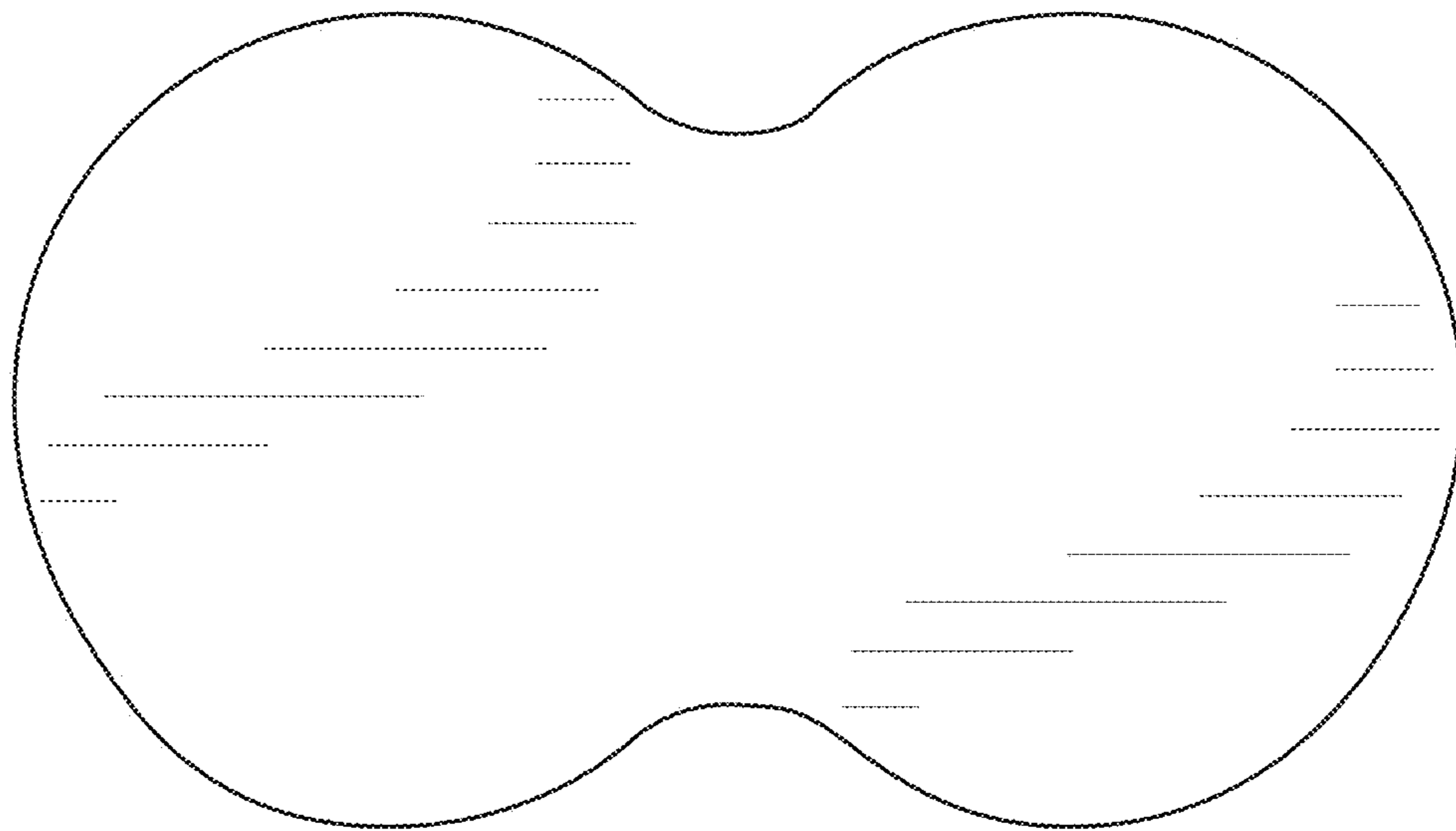


FIG. 7