



US00D933492S

(12) **United States Design Patent** (10) **Patent No.:** **US D933,492 S**
Huchet (45) **Date of Patent:** **** Oct. 19, 2021**

(54) **DISPENSER** 6,299,019 B1 * 10/2001 Leight A61F 15/001
221/186
(71) Applicant: **Aptar Radolfzell GmbH**, Radolfzell 6,672,483 B1 1/2004 Roy
(DE) D541,990 S * 5/2007 Hsu D28/89
D687,143 S * 7/2013 Ogura D24/119
(72) Inventor: **Line Huchet**, Saint-Germain-en-Laye D749,430 S 2/2016 Abel
(FR) D830,854 S * 10/2018 Kellman D9/723
10,675,647 B2 6/2020 Kim et al.
10,940,094 B2 * 3/2021 Albanawi A61J 7/0076
(73) Assignee: **APTAR RADOLFZELL GMBH**, 2006/0065674 A1 3/2006 Lasserre et al.
Radolfzell (DE) 2013/0264358 A1 10/2013 Fallat, II et al.
2014/0263425 A1 * 9/2014 Akdogan G07C 9/32
222/39
(**) Term: **15 Years** 2017/0165695 A1 * 6/2017 Chen A45D 34/02
2021/0000240 A1 * 1/2021 Lee A45D 40/06

(21) Appl. No.: **29/734,651**

(22) Filed: **May 14, 2020**

(30) **Foreign Application Priority Data**

Apr. 3, 2020 (EM) 007790134

(51) **LOC (13) Cl.** **09-01**

(52) **U.S. Cl.**
USPC **D9/723**

(58) **Field of Classification Search**
USPC D9/549, 551, 558, 559, 723, 724, 726;
D7/300, 312; D24/119; D28/88, 89
CPC B05B 11/3059; B05B 11/0027; B05B
11/0032; B05B 11/3004; B05B 11/3015;
B05B 11/306; B05B 11/3064; A45D
40/24; A45D 2200/055; A45D 2200/056;
A45D 2200/1036; A45D 2034/005; A45D
40/02; A61J 7/0076

See application file for complete search history.

(56) **References Cited**

U.S. PATENT DOCUMENTS

1,767,928 A 6/1930 Jellison
D120,662 S 5/1940 Christy
2,766,876 A 10/1956 Hopgood
3,166,221 A 1/1965 Nielsen
5,335,827 A 8/1994 Gentile
5,851,078 A * 12/1998 Bow A45D 40/06
401/78

OTHER PUBLICATIONS

U.S. Appl. No. 29/734 653, filed May 14, 2020.

* cited by examiner

Primary Examiner — Lauren R Calve

(74) *Attorney, Agent, or Firm* — Flynn Thiel, P.C.

(57) **CLAIM**

The ornamental design for a dispenser, as shown and described.

DESCRIPTION

FIG. 1 is a perspective view of a dispenser showing my new design;

FIG. 2 is a front view thereof;

FIG. 3 is a right side view thereof;

FIG. 4 is a rear view thereof;

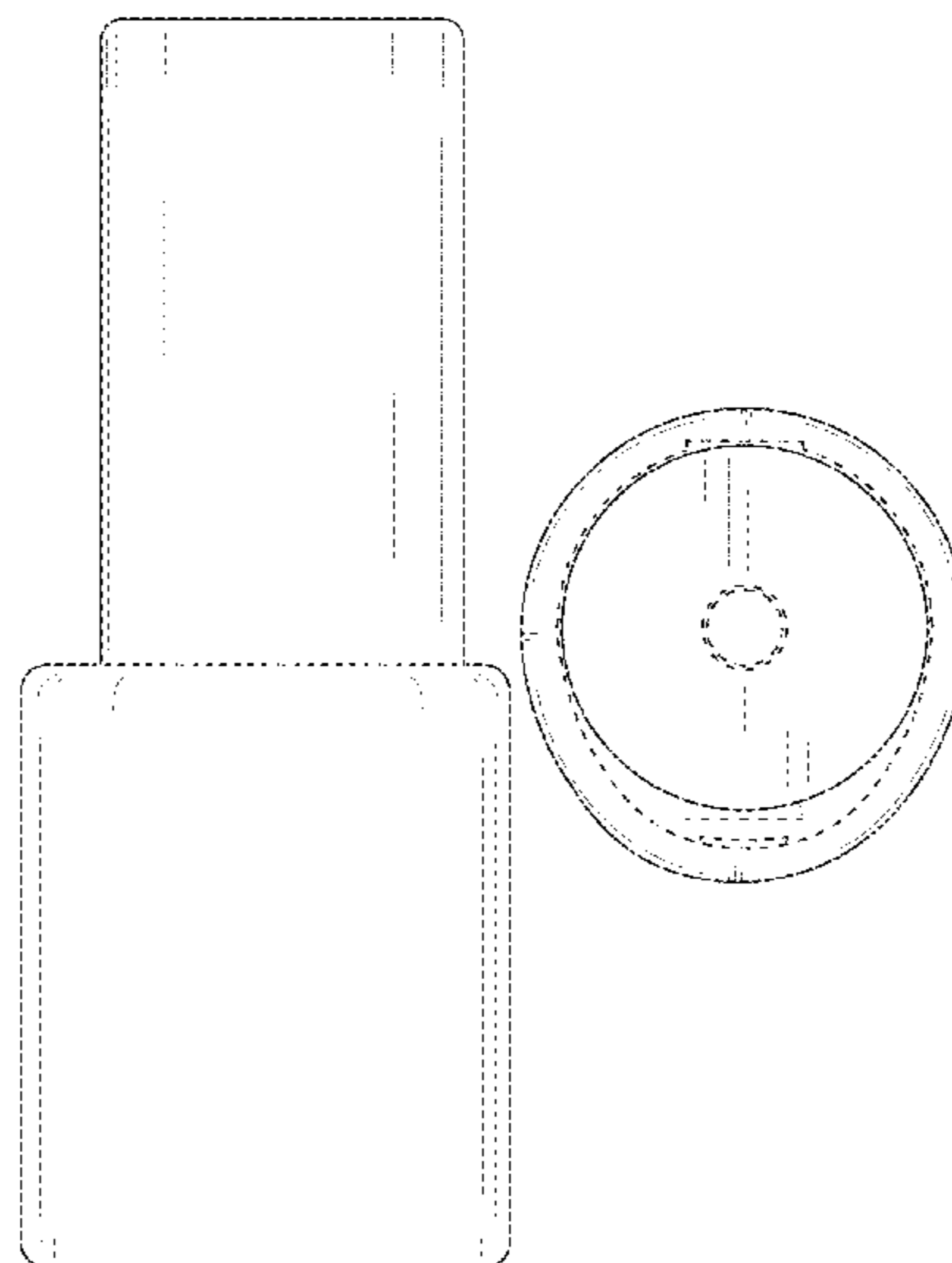
FIG. 5 is a left side view thereof;

FIG. 6 is a top view thereof; and,

FIG. 7 is a bottom view thereof.

The broken lines are shown for the purpose of illustrating environmental subject matter of an exemplary dispenser and form no part of the claimed design.

1 Claim, 7 Drawing Sheets



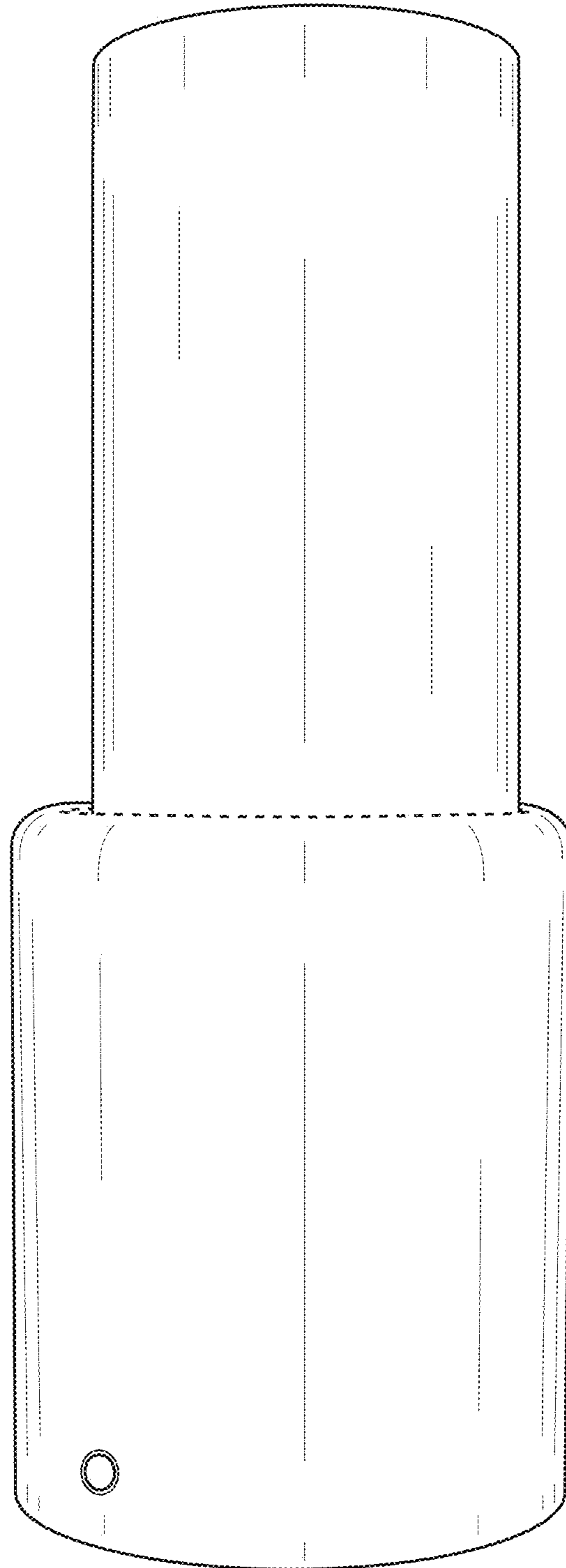


FIG. 1

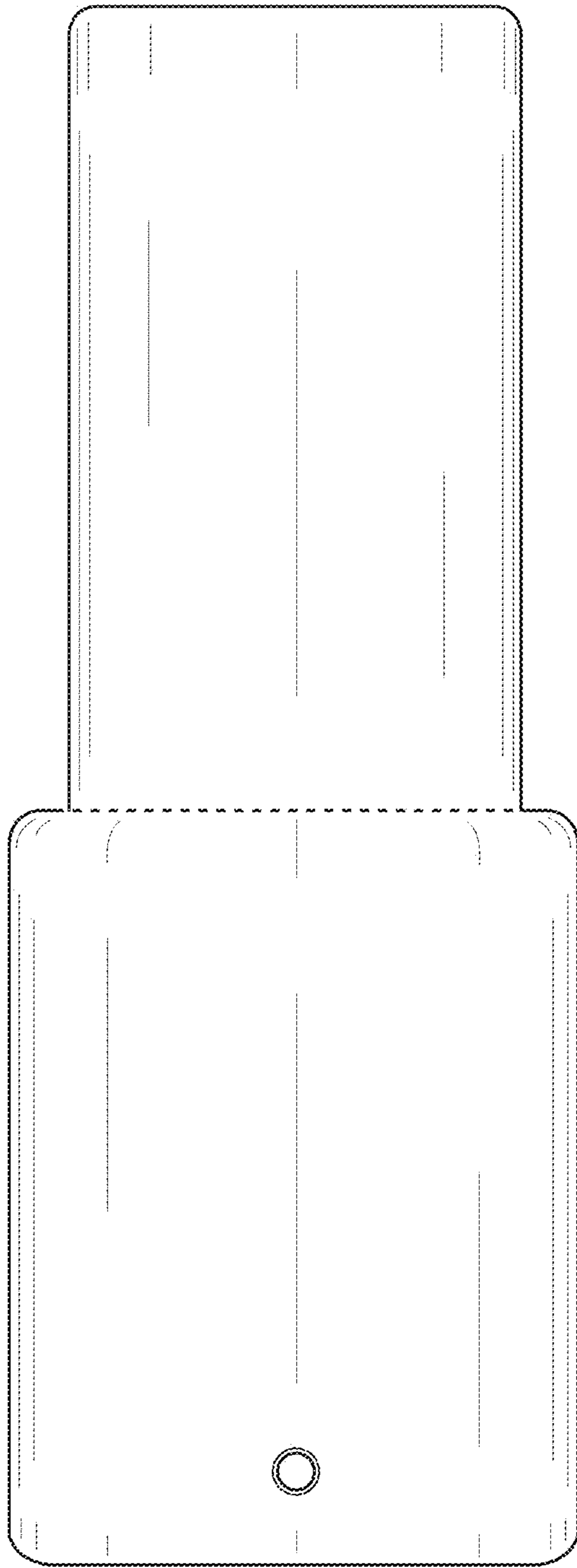


FIG. 2

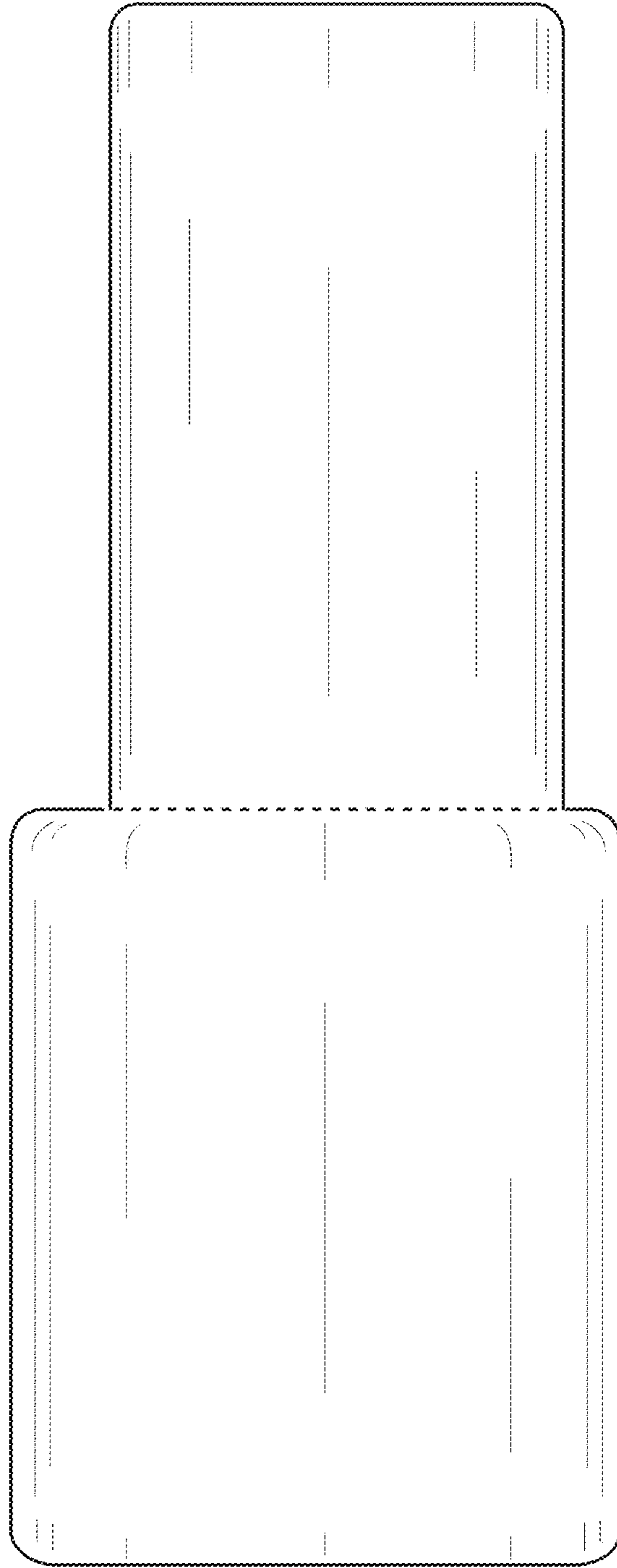


FIG. 3

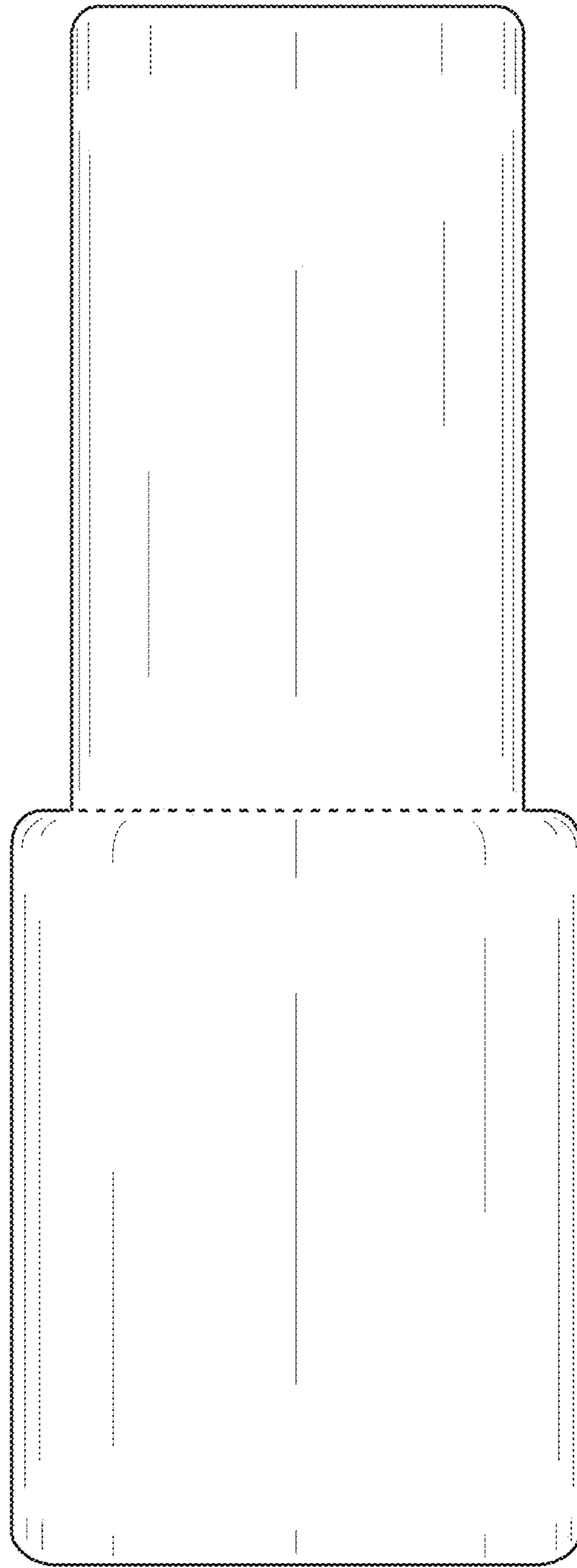


FIG. 4

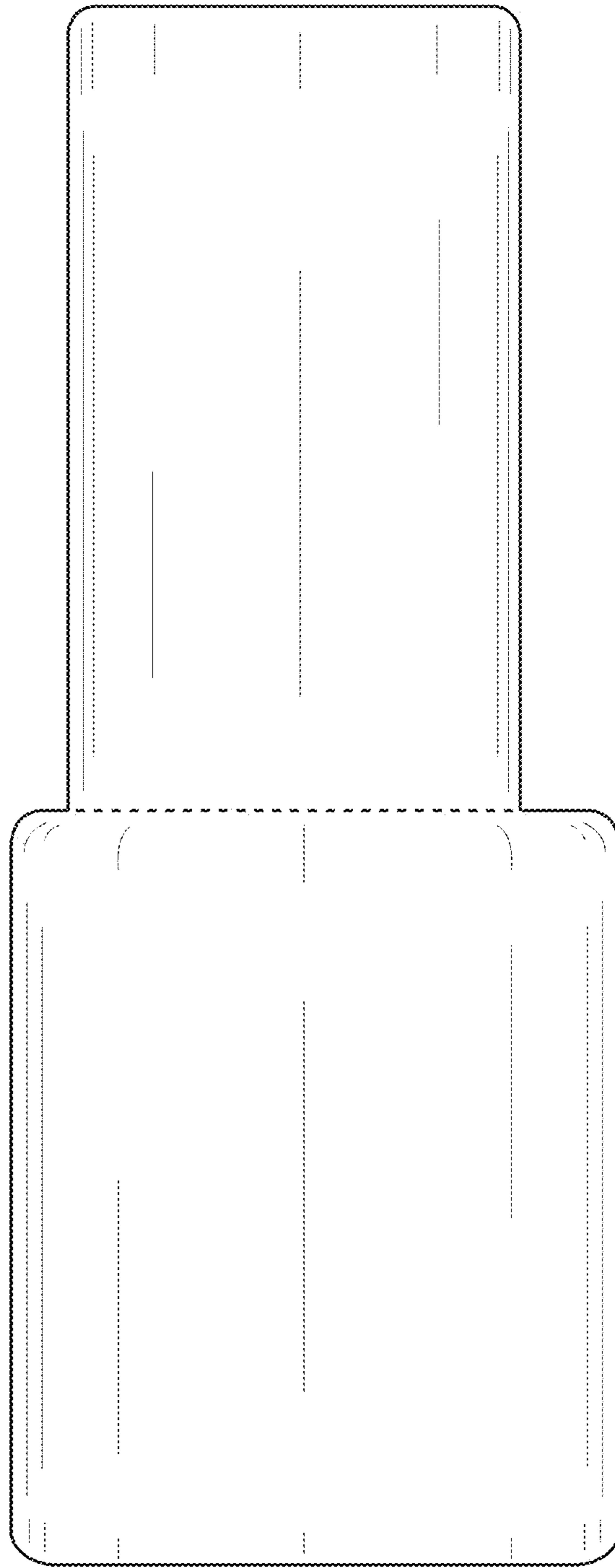


FIG. 5

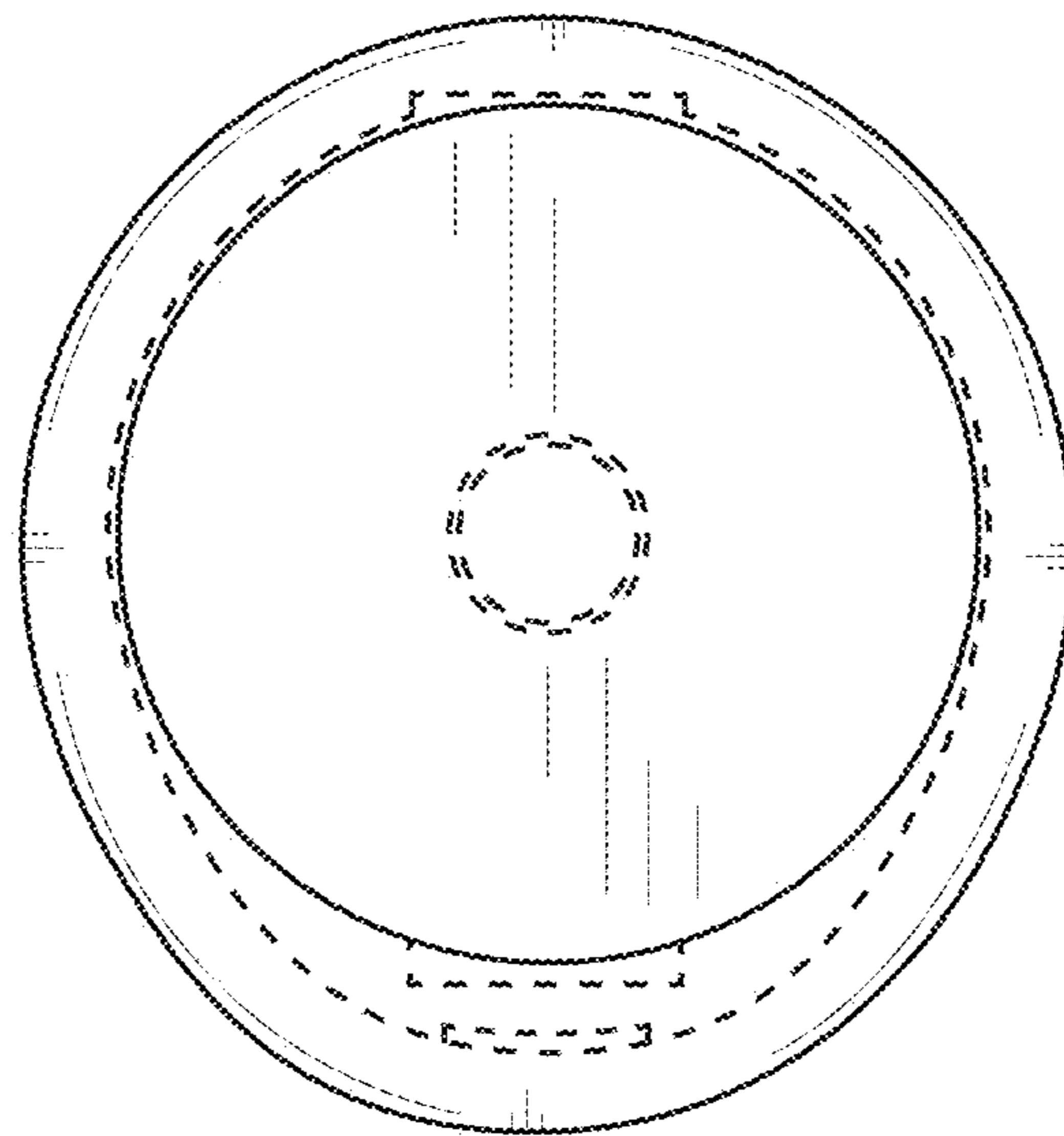


FIG. 6

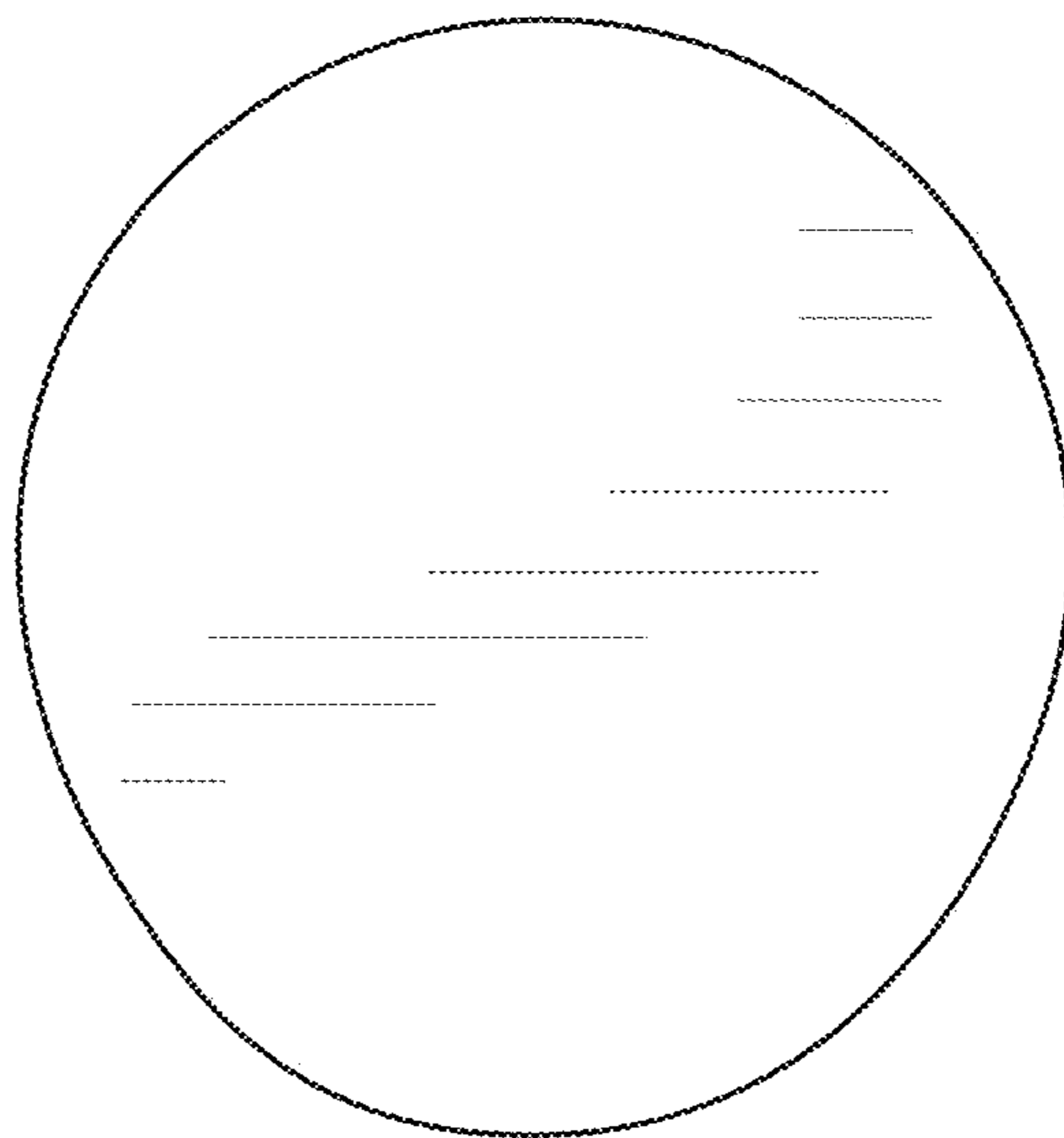


FIG. 7