



US00D933491S

(12) **United States Design Patent** (10) **Patent No.:** **US D933,491 S**
Chen (45) **Date of Patent:** **** Oct. 19, 2021**

(54) **THERMAL PASTE SYRINGE**
(71) Applicant: **COOLER MASTER TECHNOLOGY INC., New Taipei (TW)**
(72) Inventor: **Yuan Chin Chen, New Taipei (TW)**
(73) Assignee: **COOLER MASTER TECHNOLOGY INC., New Taipei (TW)**
(**) Term: **15 Years**
(21) Appl. No.: **29/672,577**
(22) Filed: **Dec. 6, 2018**
(51) **LOC (13) Cl.** **09-01**
(52) **U.S. Cl.**
USPC **D9/723; D24/130**
(58) **Field of Classification Search**
USPC D24/127-131, 112-114, 133, 186;
606/181, 185; 604/264, 272, 187, 181,
604/184, 227; D9/723
CPC H01L 2924/00014; H01L 2924/014; H01L
2224/32245; H01L 2224/48247; H01L
2224/73265
See application file for complete search history.

(56) **References Cited**
U.S. PATENT DOCUMENTS
5,899,832 A * 5/1999 Hougen A63B 23/18
482/13
6,026,807 A * 2/2000 Puderbaugh A61M 15/0086
128/200.14
6,253,766 B1 * 7/2001 Niles A61M 16/08
128/204.24
7,418,962 B1 * 9/2008 Rao A61M 15/0086
128/200.14
D656,232 S * 3/2012 Villasana D24/128
D711,530 S * 8/2014 Gleason, Jr. D24/112
D774,641 S * 12/2016 Miggels D24/113
D775,348 S * 12/2016 Buess D24/164

D782,035 S * 3/2017 Bainton D24/113
D788,909 S * 6/2017 Ratjen D24/113
2007/0137648 A1 * 6/2007 Addington A61M 11/06
128/204.25
2011/0313354 A1 * 12/2011 Hennessy A61M 39/24
604/99.04
2014/0217246 A1 * 8/2014 Loewe F16L 3/222
248/74.2

OTHER PUBLICATIONS

youtube.com, The new mastergel series, Jan. 6, 2020, <https://www.youtube.com/watch?v=vQmeph7FSAU> (Year: 2020).
Coolmaster.com, New Mastergel maker, Jan. 19, 2020, <https://www.coolermaster.com/catalog/coolers/thermal-grease/new-mastergel-maker/> (Year: 2020).*

* cited by examiner

Primary Examiner — Nathan M Johnston
(74) *Attorney, Agent, or Firm* — Maschoff Brennan

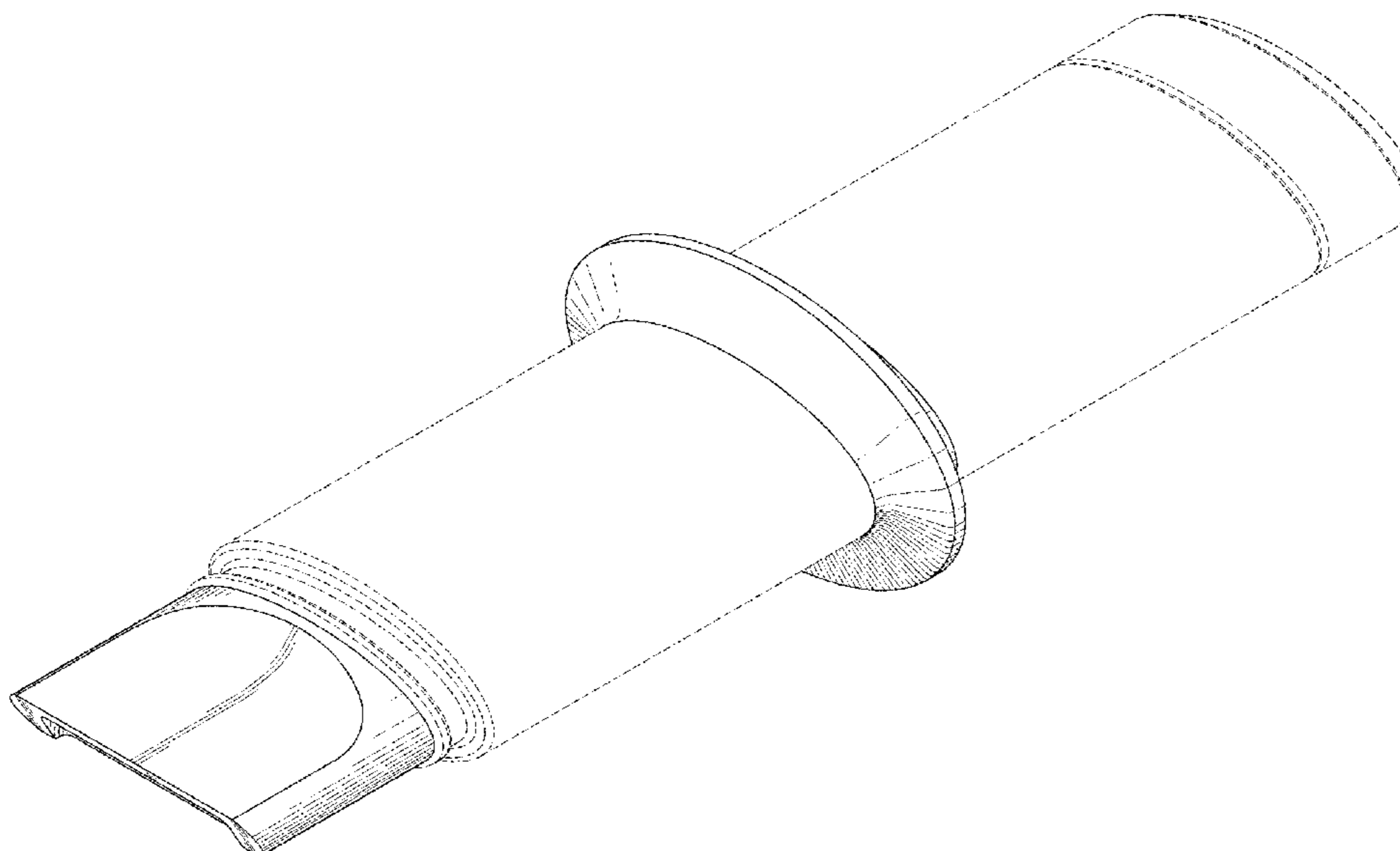
(57) **CLAIM**

The ornamental design for a “thermal paste syringe”, as shown and described.

DESCRIPTION

FIG. 1 is a top front right perspective view of a thermal paste syringe showing my new design;
FIG. 2 is a top rear right perspective view thereof;
FIG. 3 is a bottom front left perspective view thereof;
FIG. 4 is a front view thereof;
FIG. 5 is a rear view thereof;
FIG. 6 is a left side view thereof;
FIG. 7 is a right side view thereof;
FIG. 8 is a top view thereof, and,
FIG. 9 is a bottom view thereof.
The dashed broken lines illustrate environmental structure and form no part of the claimed design.

1 Claim, 7 Drawing Sheets



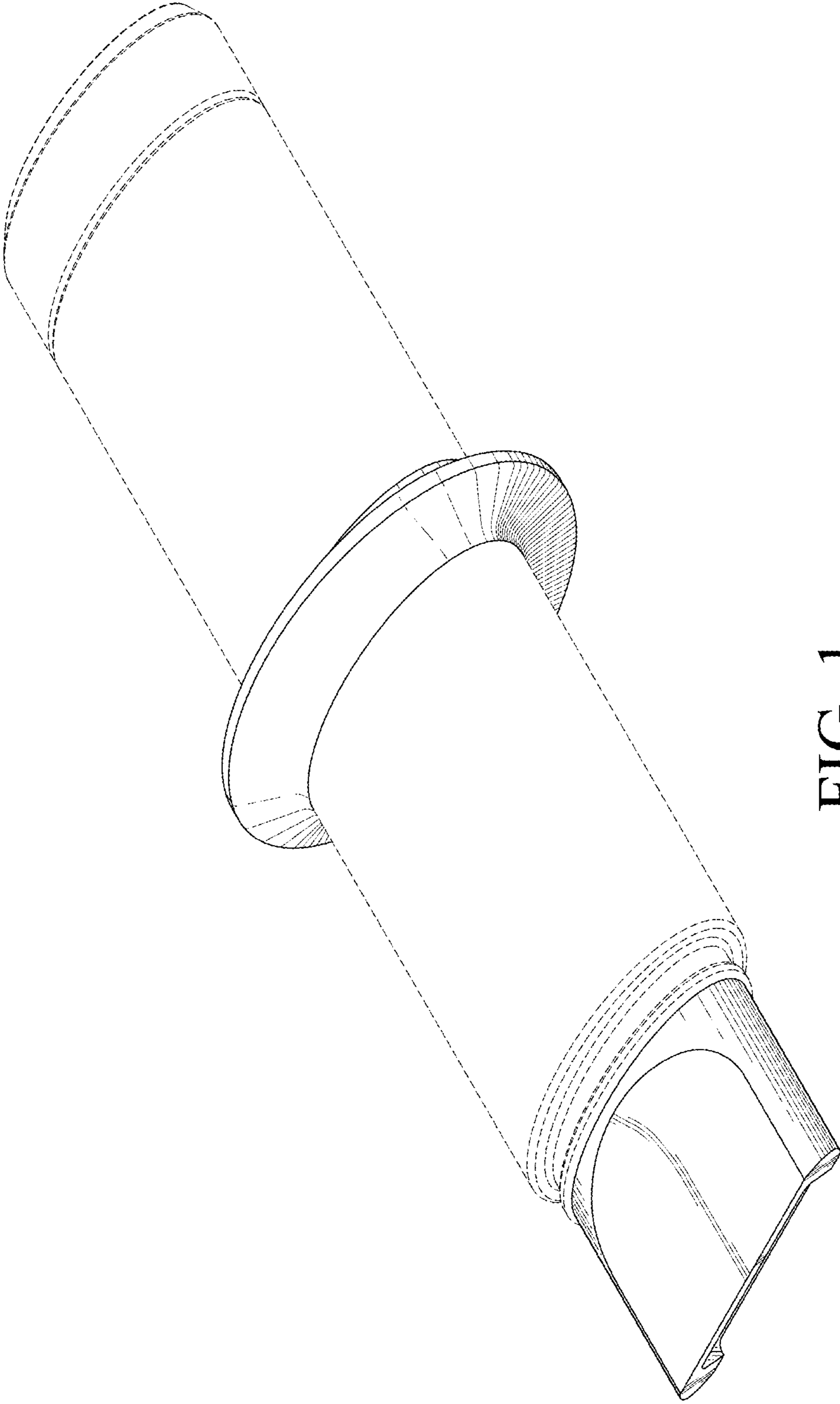


FIG. 1

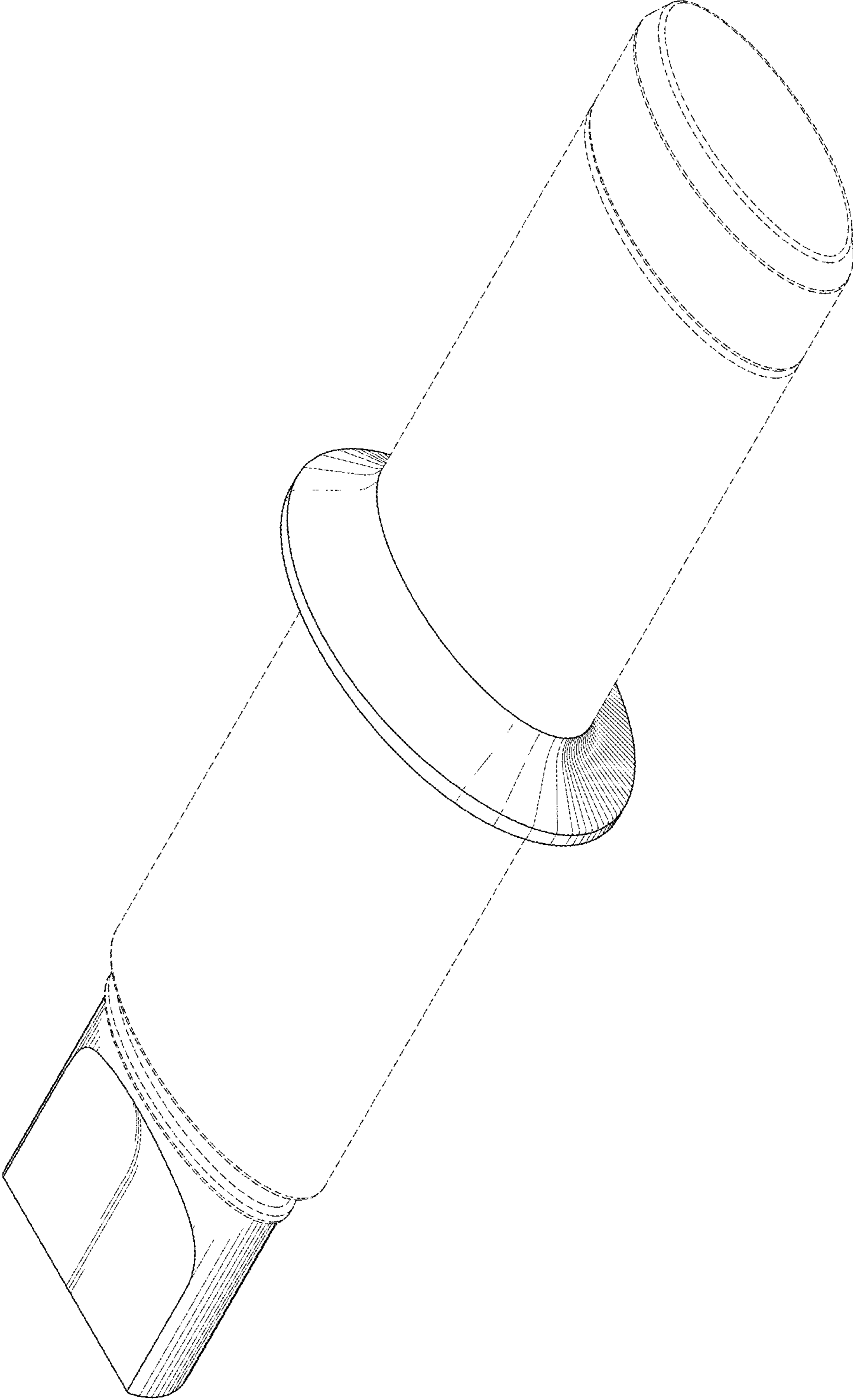


FIG. 2

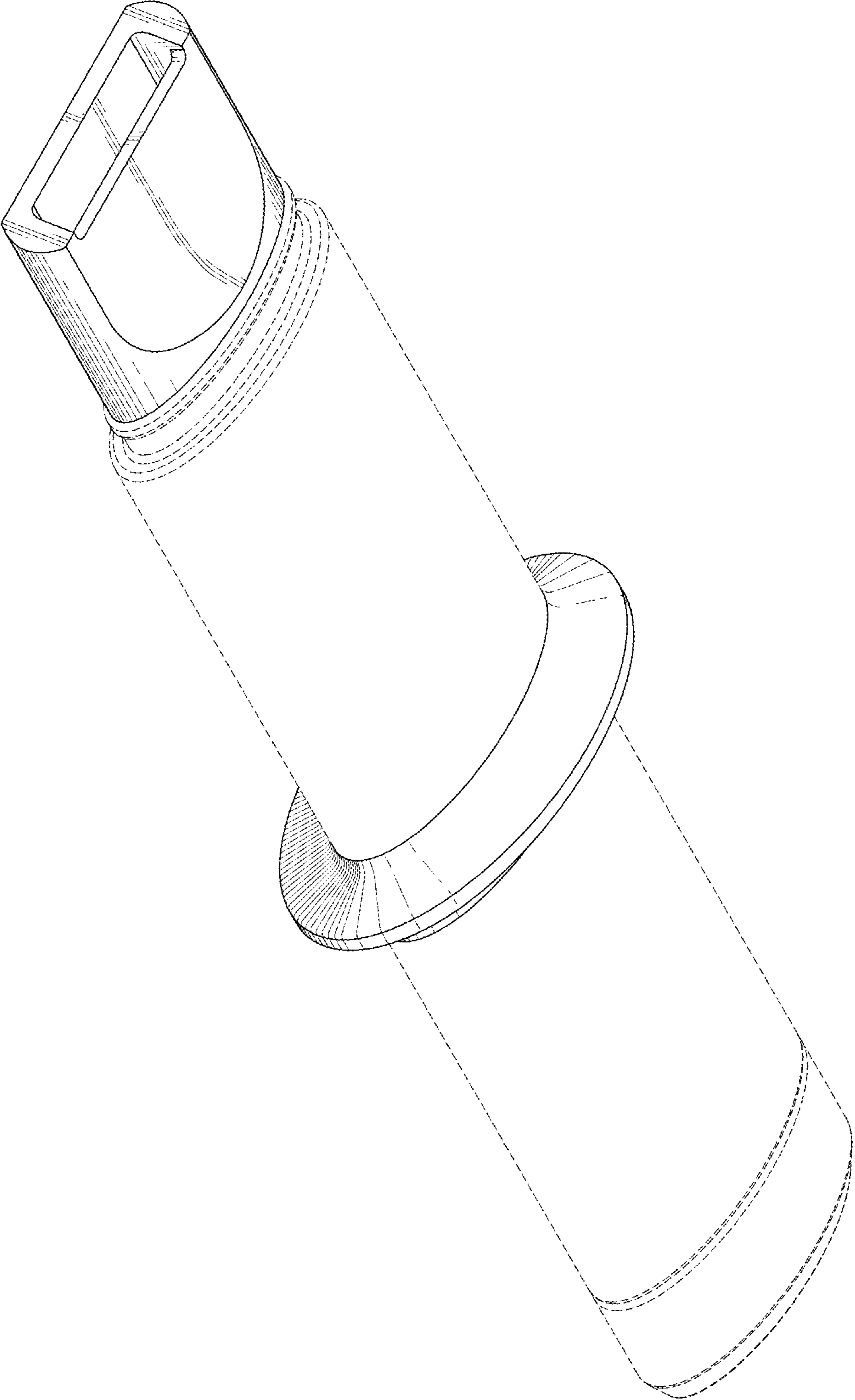


FIG. 3

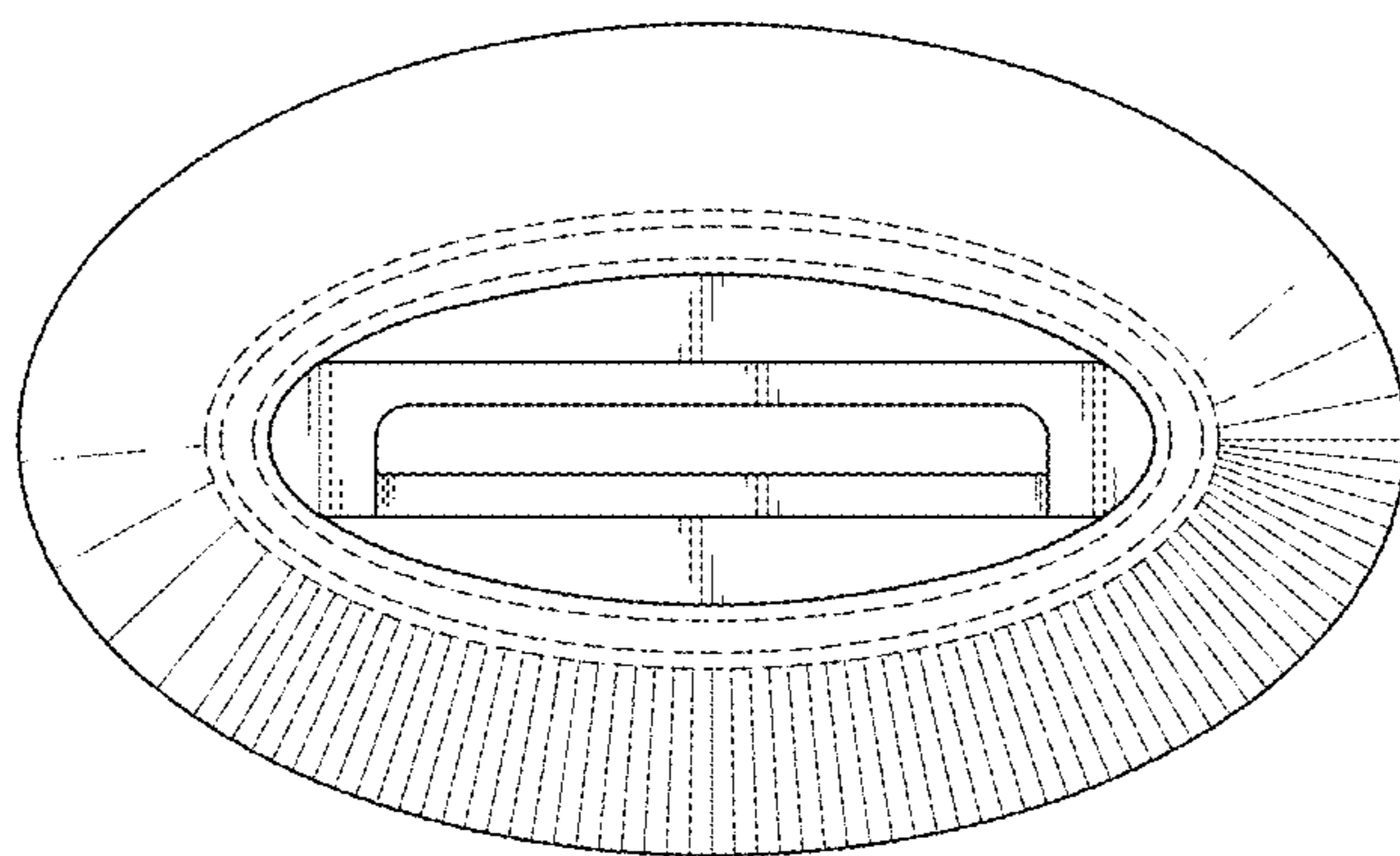


FIG. 4

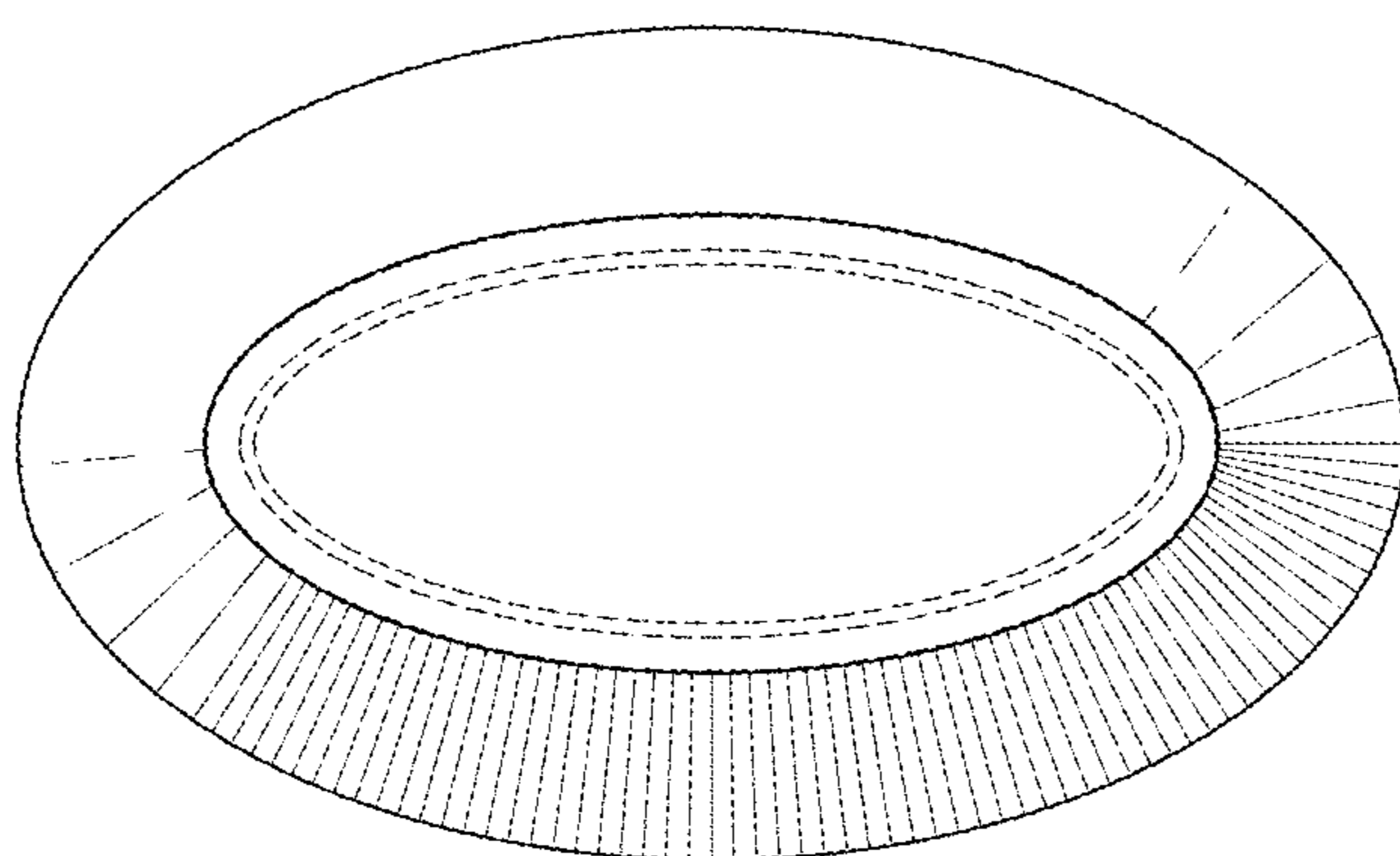


FIG. 5

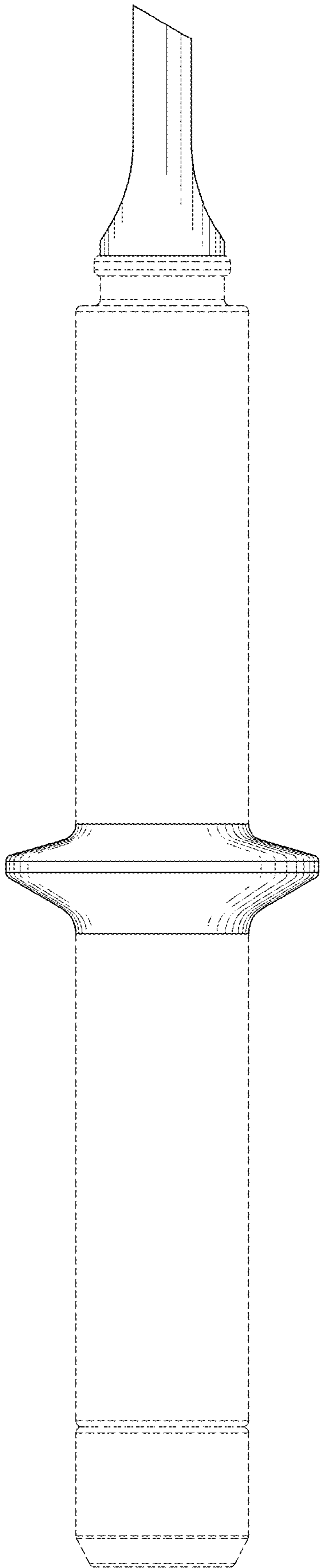


FIG. 6

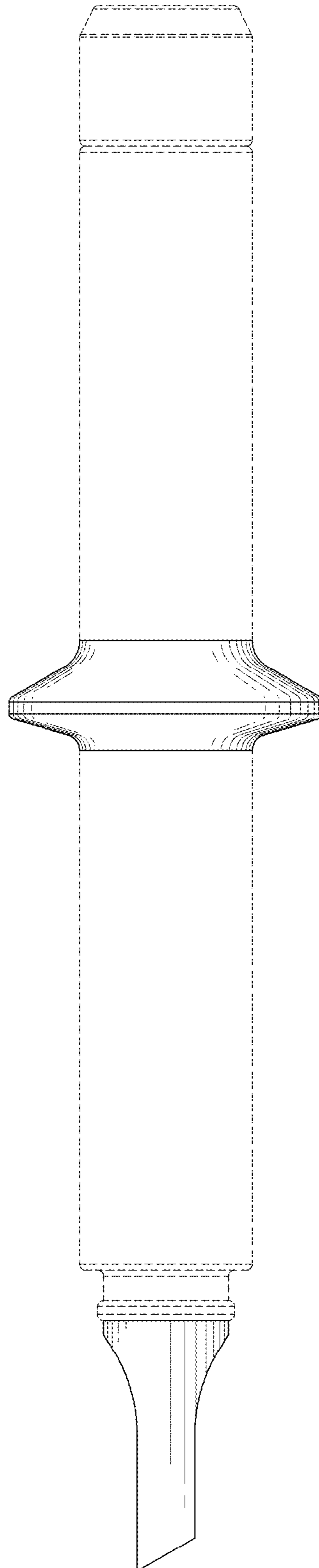


FIG. 7

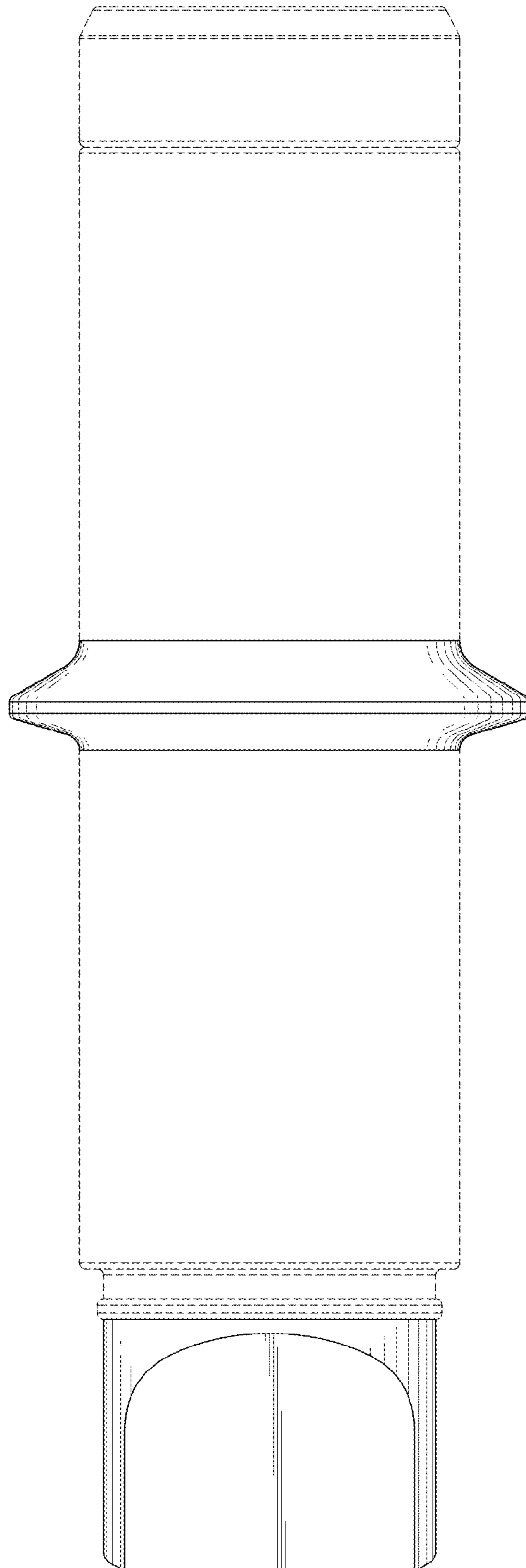


FIG. 8

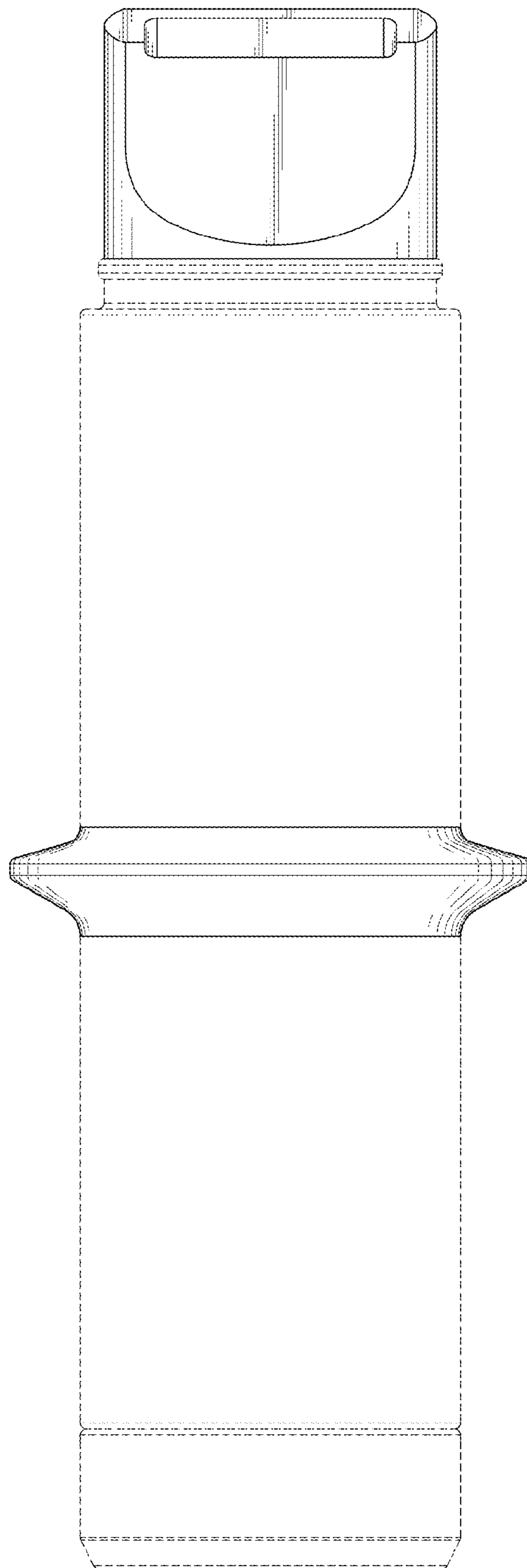


FIG. 9