



US00D933489S

(12) **United States Design Patent** (10) **Patent No.:** **US D933,489 S**
Dalton et al. (45) **Date of Patent:** **** Oct. 19, 2021**

(54) **FLASK**

(56) **References Cited**

(71) Applicant: **CARTIER INTERNATIONAL AG,**
Steinhausen (CH)

(72) Inventors: **Suzanne Dalton,** Paris (FR);
Emmanuel Kieffer, Paris (FR)

(73) Assignee: **CARTIER INTERNATIONAL AG,**
Steinhausen (CH)

(**) Term: **15 Years**

(21) Appl. No.: **29/648,543**

(22) Filed: **May 22, 2018**

(30) **Foreign Application Priority Data**

Dec. 20, 2017 (WO) 5798501

(51) **LOC (13) Cl.** **09-01**

(52) **U.S. Cl.**
USPC **D9/682; D9/694**

(58) **Field of Classification Search**

USPC D9/600, 654, 682-694, 719, 516, 517,
D9/544-546, 553, 555, 556, 559-561,
D9/566, 568, 569, 435, 436, 439, 440,
D9/441, 443, 448, 451; D28/76, 77, 91.1
CPC B65D 2251/02; B65D 2251/06; B65D
51/242; B65D 51/245; B65D 1/0223;
B65D 1/40; B65D 1/44; B65D 2203/00;
B65D 2501/0018; B65D 2501/0027;
B65D 2501/0081; A45D 2034/002; A45D
2034/007; A45D 34/00; A45D 34/02;
A45D 2200/00-058; B05B 11/0008;
B05B 11/0027; B05B 11/0037; B05B
11/0038; B05B 11/3054; B05B 11/30;
B05B 11/3001; B05B 11/3038; B05B
11/3042-3049

See application file for complete search history.

U.S. PATENT DOCUMENTS

D46,719 S *	12/1914	Armstrong	D9/568
D76,133 S *	8/1928	Halk	D9/544
D99,634 S *	5/1936	Wick	D9/569
D110,830 S *	8/1938	Wilmet	D9/544
D111,226 S *	9/1938	Runnels	D9/550
D121,959 S *	8/1940	Leach	D9/568
D149,789 S *	6/1948	Baud	D9/544
D192,709 S *	5/1962	Heintz	D9/544
D276,892 S *	12/1984	Carre	D9/435
D344,887 S *	3/1994	Wacker	D9/694
D344,897 S *	3/1994	Wacker	D9/439
D402,206 S *	12/1998	Mastey	D9/556
D498,665 S *	11/2004	Mansau	D28/91.1
D550,098 S *	9/2007	Gerlach	D9/682

(Continued)

FOREIGN PATENT DOCUMENTS

CA	3014328 A1 *	8/2017	B65D 23/085
CN	302972252	* 10/2014		

(Continued)

Primary Examiner — Catherine A Tuttle

(74) *Attorney, Agent, or Firm* — Stephen J. Weyer, Esq.;
Stites & Harbison, PLLC

(57) **CLAIM**

The ornamental design for a flask, as shown and described.

DESCRIPTION

FIG. 1 is a top, rear and left side view showing my new design for a flask.
FIG. 2 is a left side view thereof.
FIG. 3 is a right side view thereof.
FIG. 4 is a front elevation view thereof

(Continued)

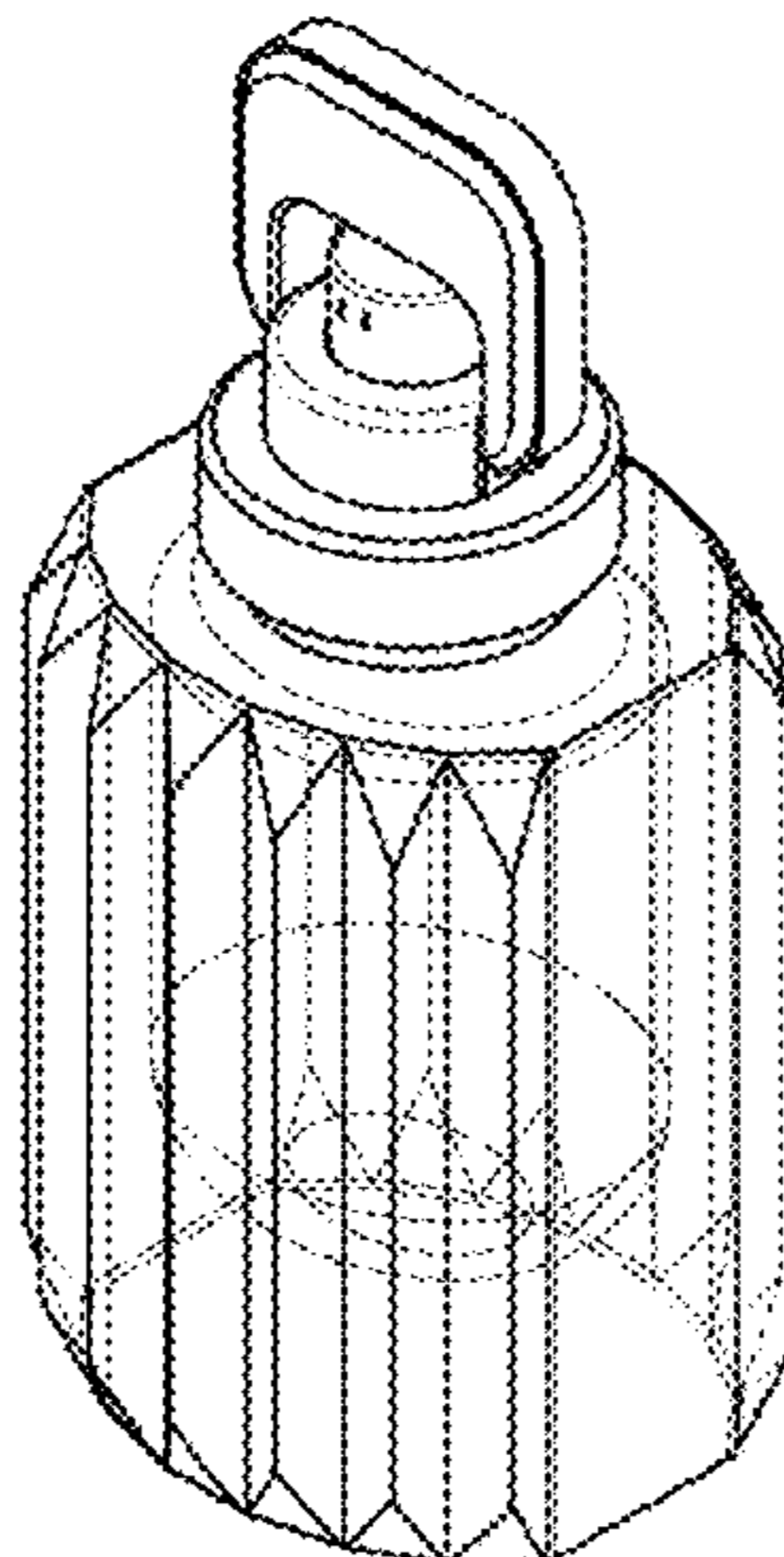


FIG. 5 is a rear view thereof
FIG. 6 is a top plan view thereof; and,
FIG. 7 is a bottom plan view thereof.

1 Claim, 7 Drawing Sheets

(56) **References Cited**

U.S. PATENT DOCUMENTS

D589,818 S *	4/2009	Veillet	D9/694
D592,072 S *	5/2009	Mansau	D9/694
D734,164 S *	7/2015	Guichot	D9/682
D742,628 S *	11/2015	Clark	D23/379
D752,990 S *	4/2016	Dalton	D9/682
D753,500 S *	4/2016	Chertoff	D9/546
D842,705 S *	3/2019	Erceg	D9/569
2017/0341096 A1 *	11/2017	Thorez	A45D 34/02

FOREIGN PATENT DOCUMENTS

CN	303355664	*	9/2015
CN	303476223	*	12/2015
CN	303860986	*	9/2016
CN	304412909	*	12/2017

* cited by examiner

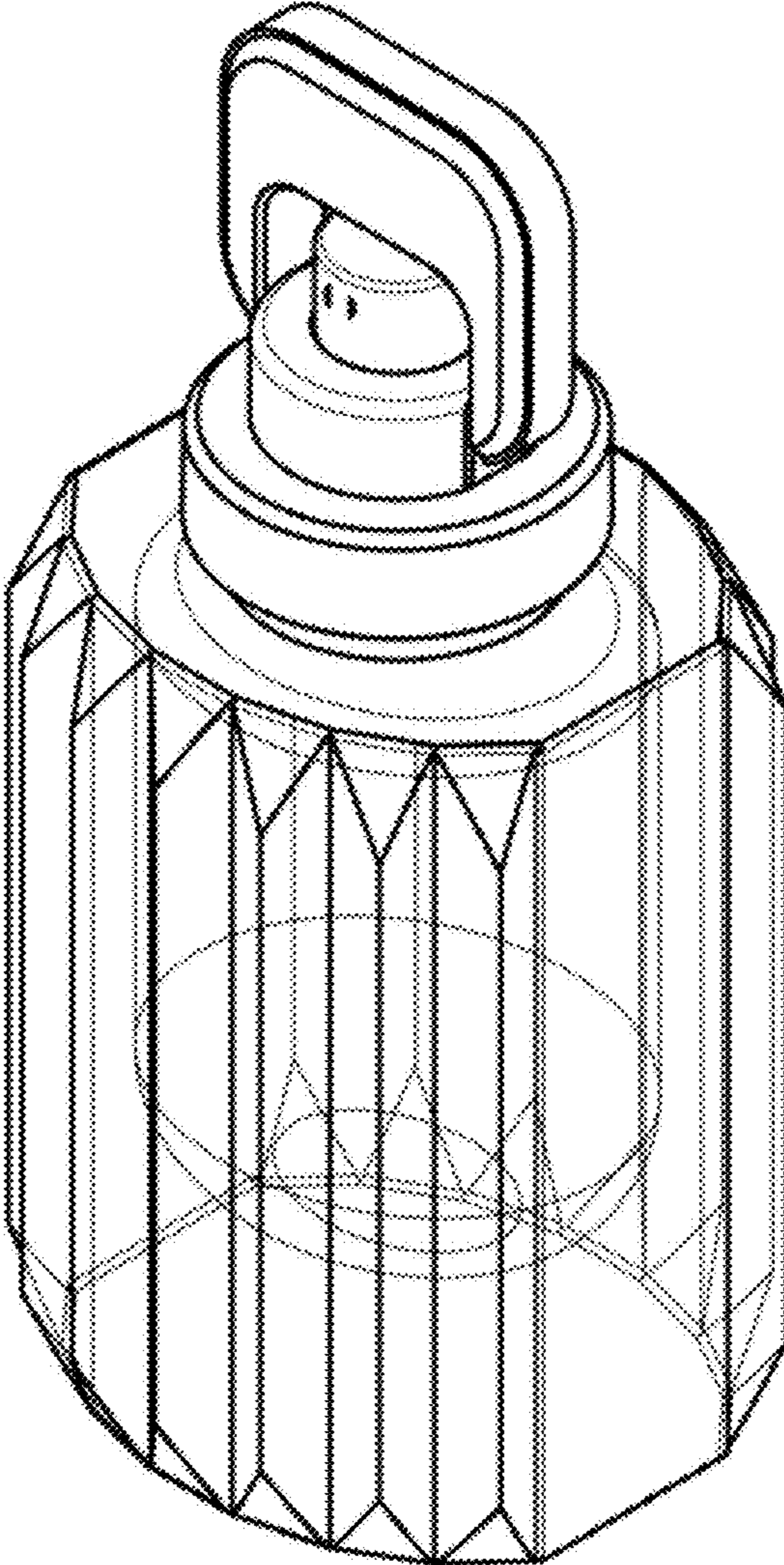


FIG. 1

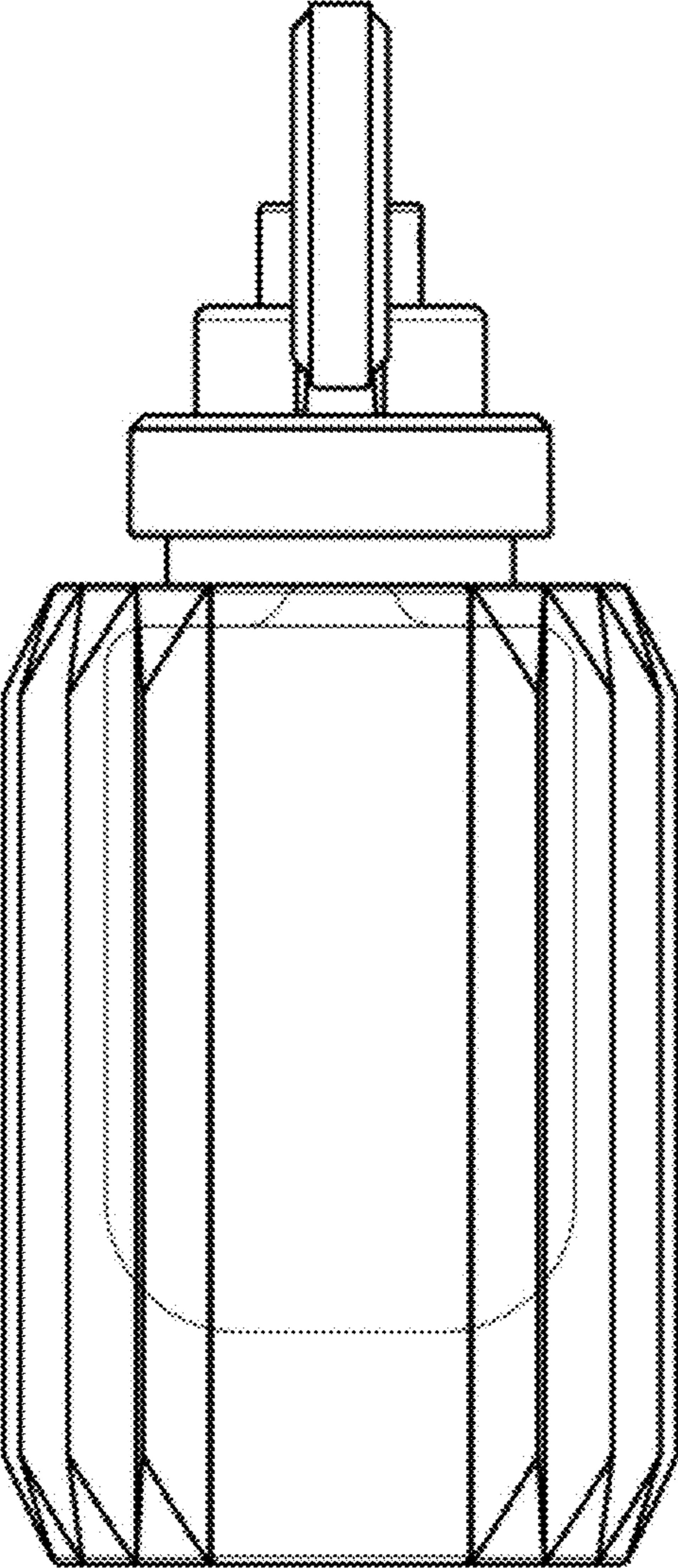


FIG. 2

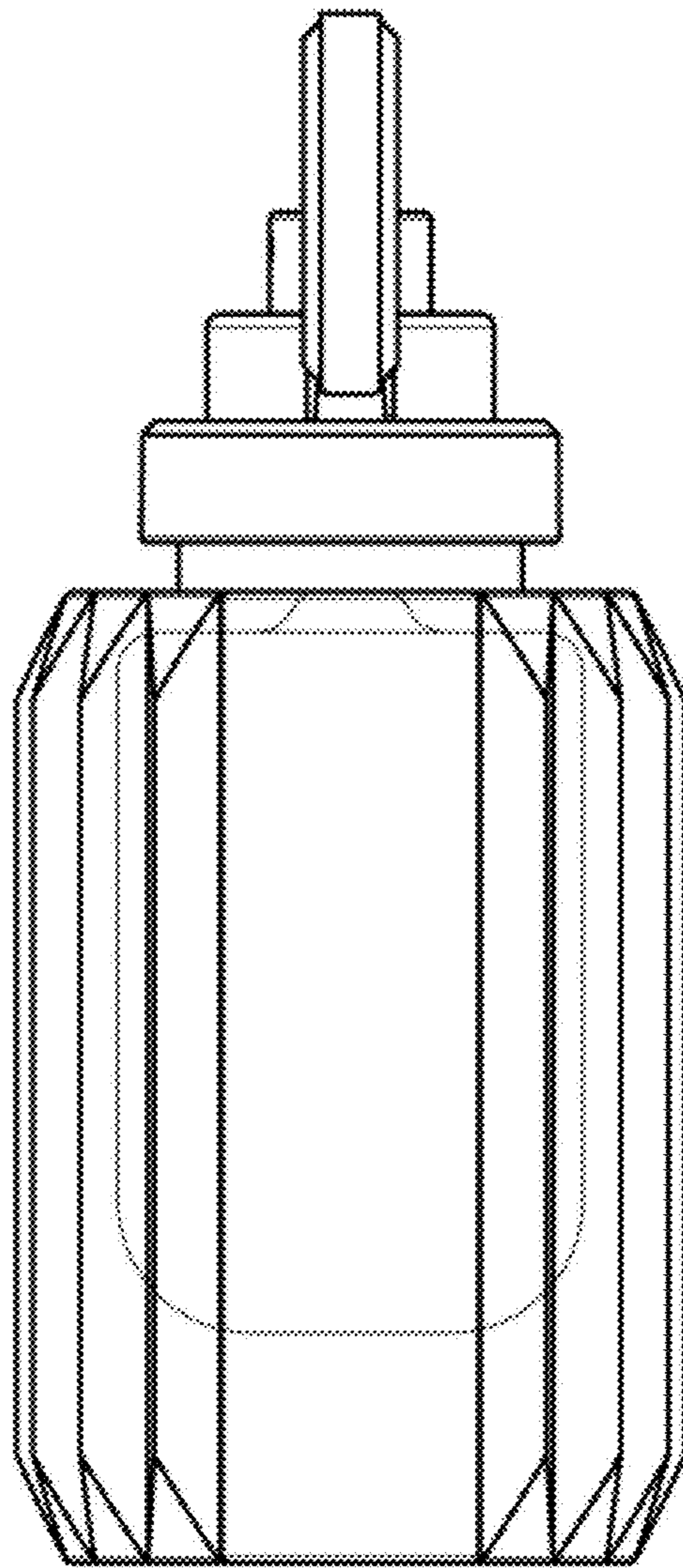


FIG. 3

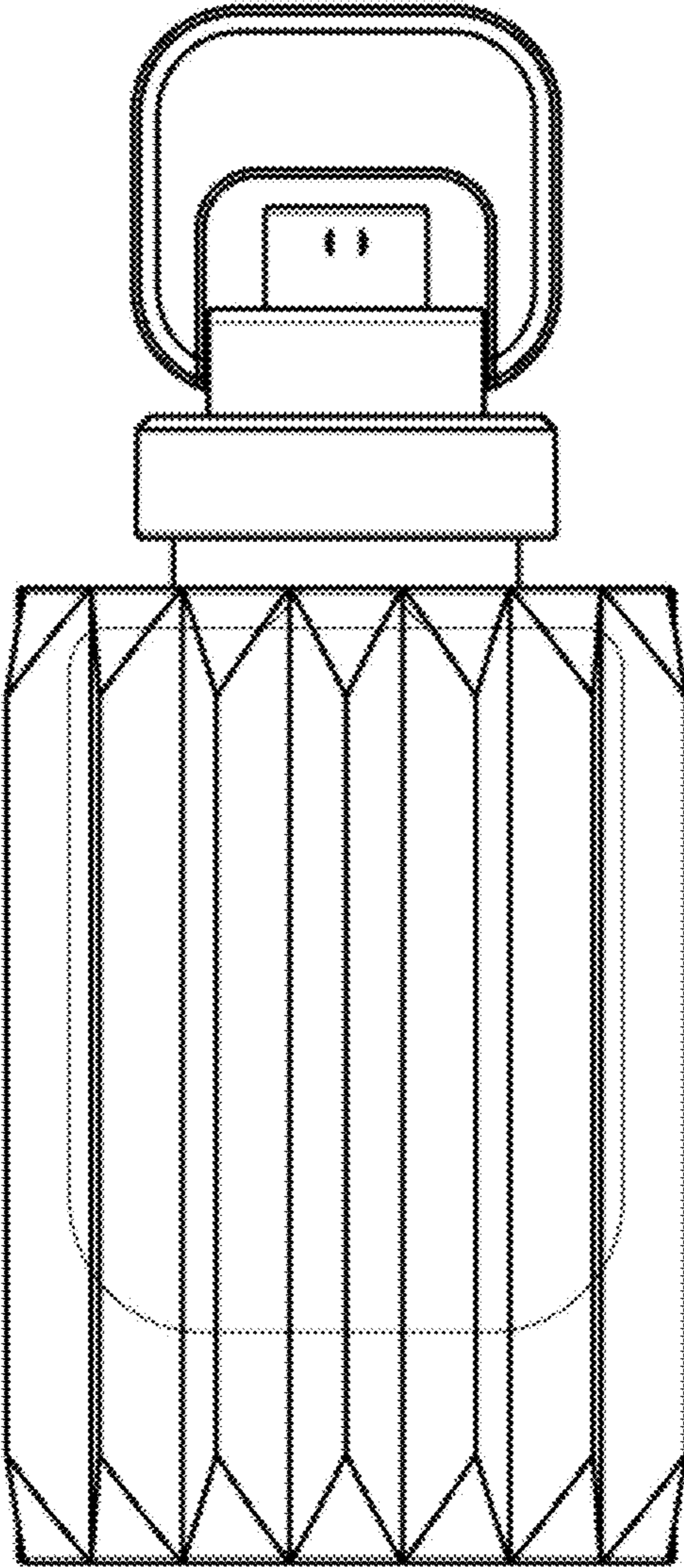


FIG. 4

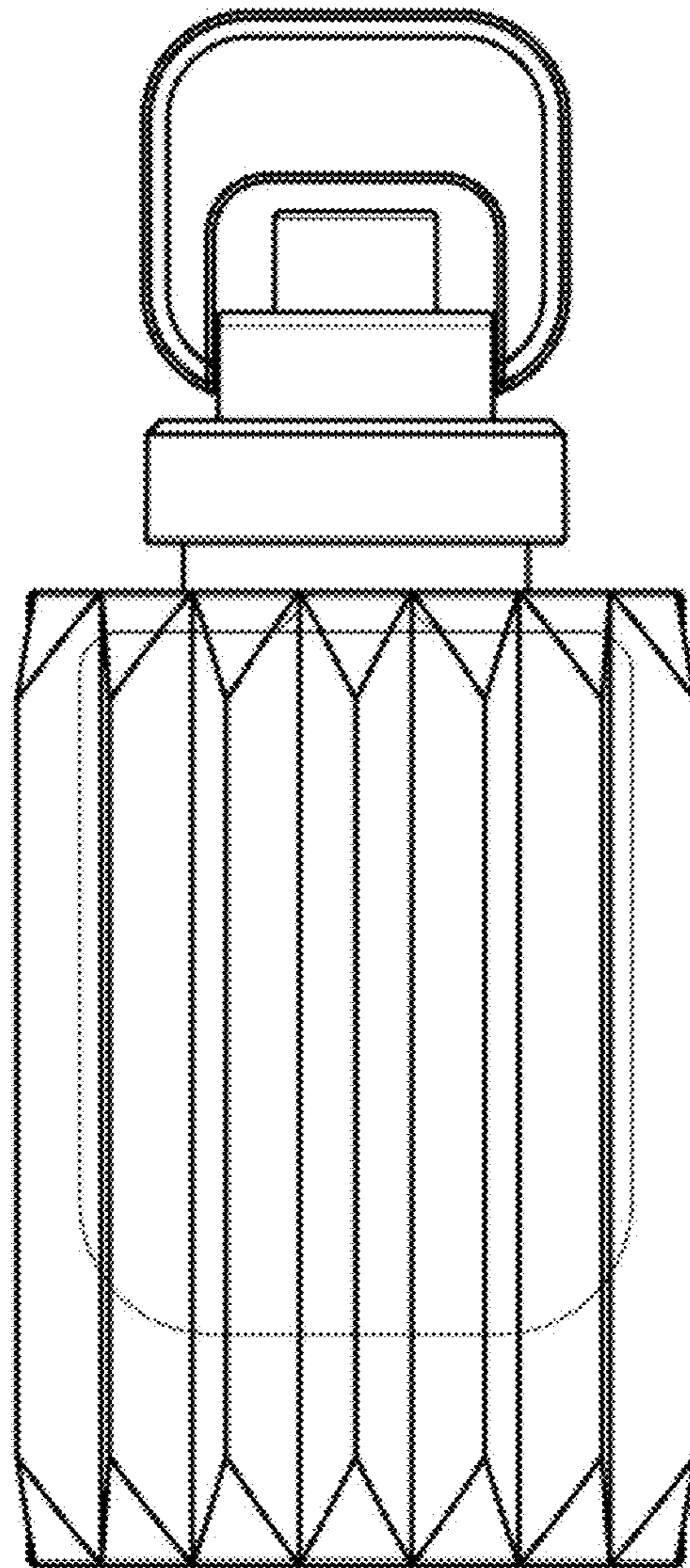


FIG. 5

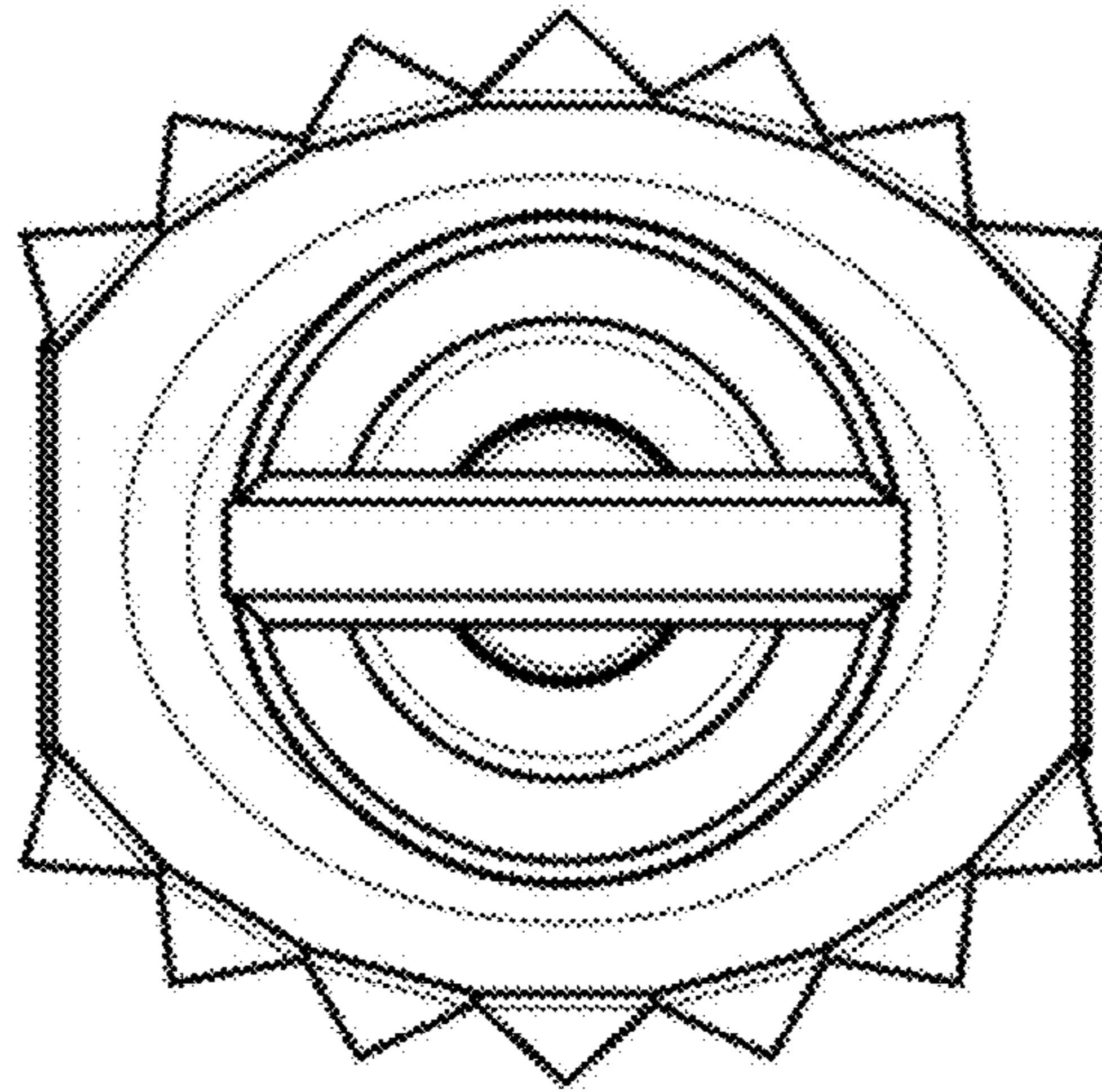


FIG. 6

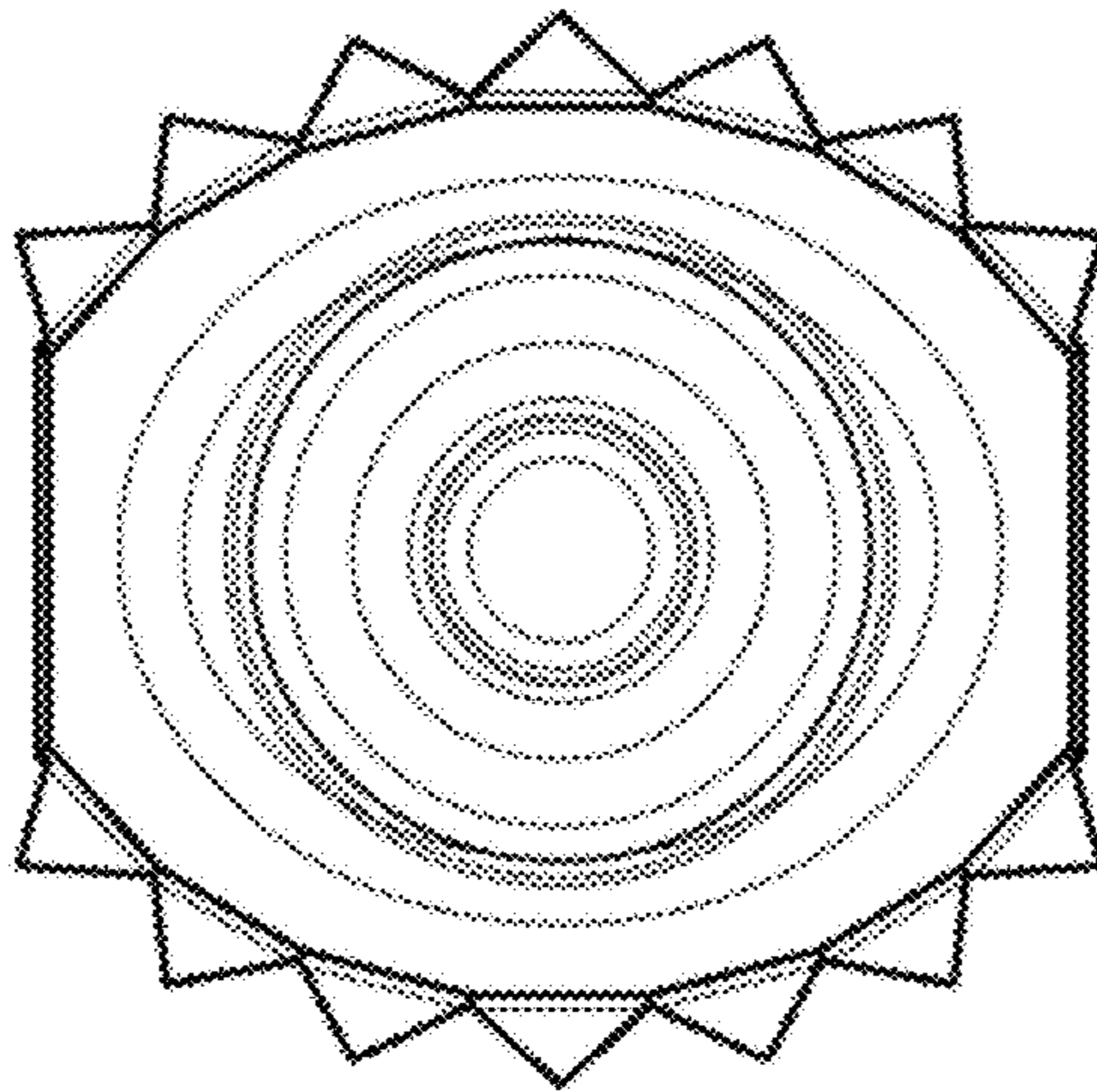


FIG. 7