



US00D933487S

(12) **United States Design Patent**
Luo

(10) **Patent No.:** **US D933,487 S**

(45) **Date of Patent:** **** Oct. 19, 2021**

(54) **NAIL POLISH BOTTLE**

(71) Applicant: **Sailin Luo**, Guangzhou (CN)

(72) Inventor: **Sailin Luo**, Guangzhou (CN)

(**) Term: **15 Years**

(21) Appl. No.: **29/735,774**

(22) Filed: **May 24, 2020**

(30) **Foreign Application Priority Data**

May 12, 2020 (EM) 007881339

(51) **LOC (13) Cl.** **09-01**

(52) **U.S. Cl.**

USPC **D9/560**; D9/435; D9/454

(58) **Field of Classification Search**

USPC D9/434-436, 454, 516, 560, 574, 682,
D9/694, 715-719; D4/114, 116

CPC B65D 1/00; B65D 1/02; B65D 1/0223;
B65D 1/10; B65D 23/00; B65D 2501/00;
B65D 2501/0009

See application file for complete search history.

(56) **References Cited**

U.S. PATENT DOCUMENTS

D317,717 S * 6/1991 Carol D9/418
D317,718 S * 6/1991 Carol D9/418
D471,108 S * 3/2003 Calderone, Jr. D9/520
D577,599 S * 9/2008 Moretti D9/560
D770,295 S * 11/2016 Luu D9/560
D770,901 S * 11/2016 Luu D9/560

D786,688 S * 5/2017 Takei D9/560
D805,910 S * 12/2017 Luu D9/560
D816,506 S * 5/2018 Jones D9/560
D821,204 S * 6/2018 Reggiani D9/503
D833,291 S * 11/2018 Staab D9/560
D836,840 S * 12/2018 Khubani D28/50
D847,654 S * 5/2019 Luu D9/560
D855,253 S * 7/2019 Han D28/88
D857,296 S * 8/2019 Khubani D28/51
D857,297 S * 8/2019 Khubani D28/51
D867,892 S * 11/2019 Luu D9/560
D874,730 S * 2/2020 Khubani D28/51
D907,851 S * 1/2021 Lombardo D28/50
D907,852 S * 1/2021 Lombardo D28/50

* cited by examiner

Primary Examiner — Dana Meyrow

(74) *Attorney, Agent, or Firm* — Bay State IP, LLC

(57) **CLAIM**

The ornamental design for a nail polish bottle, as shown and described.

DESCRIPTION

FIG. 1 is a perspective view showing my new design;

FIG. 2 is a front view thereof;

FIG. 3 is a back view thereof;

FIG. 4 is a left side view thereof;

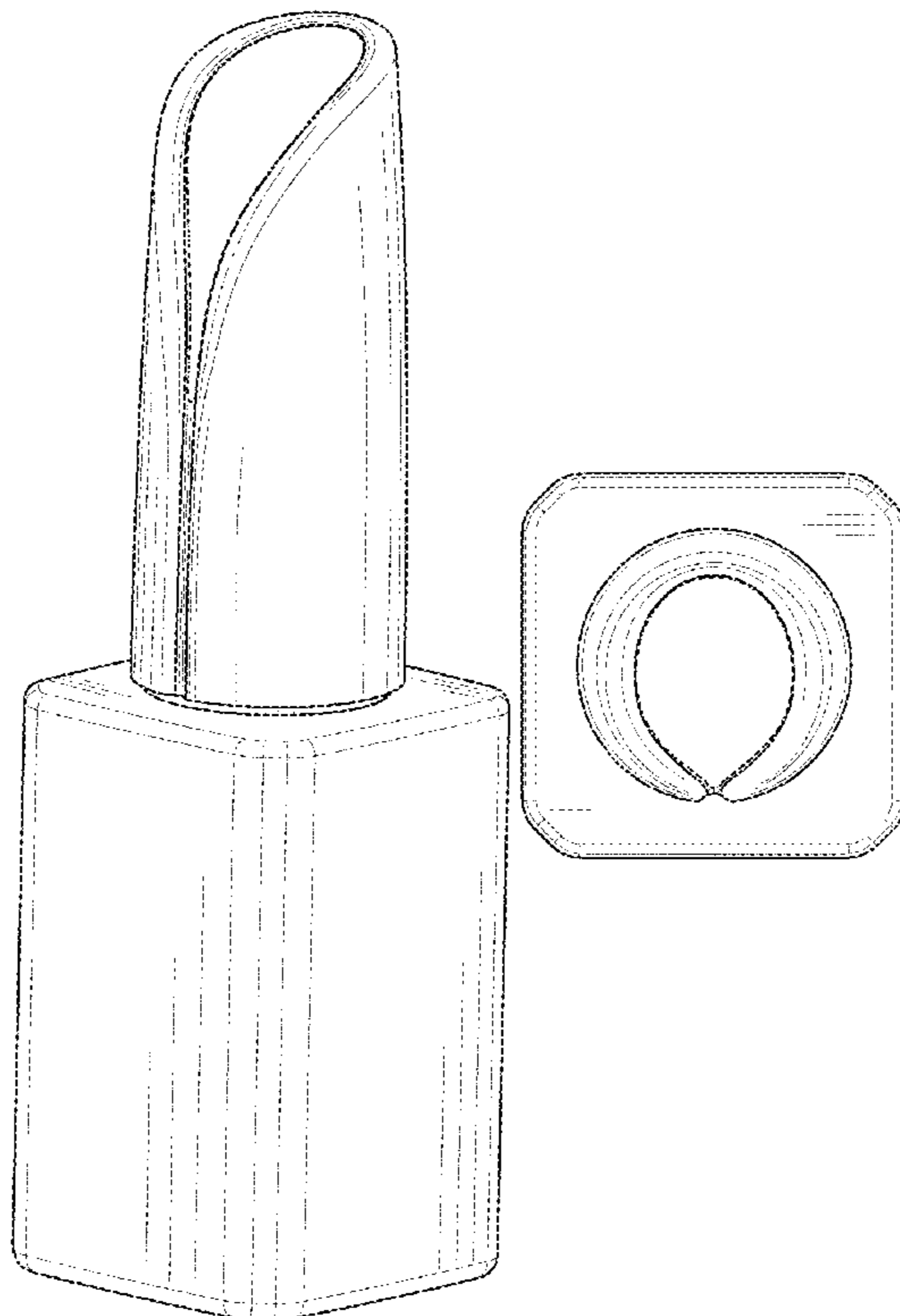
FIG. 5 is a right side view thereof;

FIG. 6 is a top view thereof; and,

FIG. 7 is a bottom view thereof.

The broken lines in the drawings illustrate the portions of the nail polish bottle that form no part of the claimed design.

1 Claim, 7 Drawing Sheets



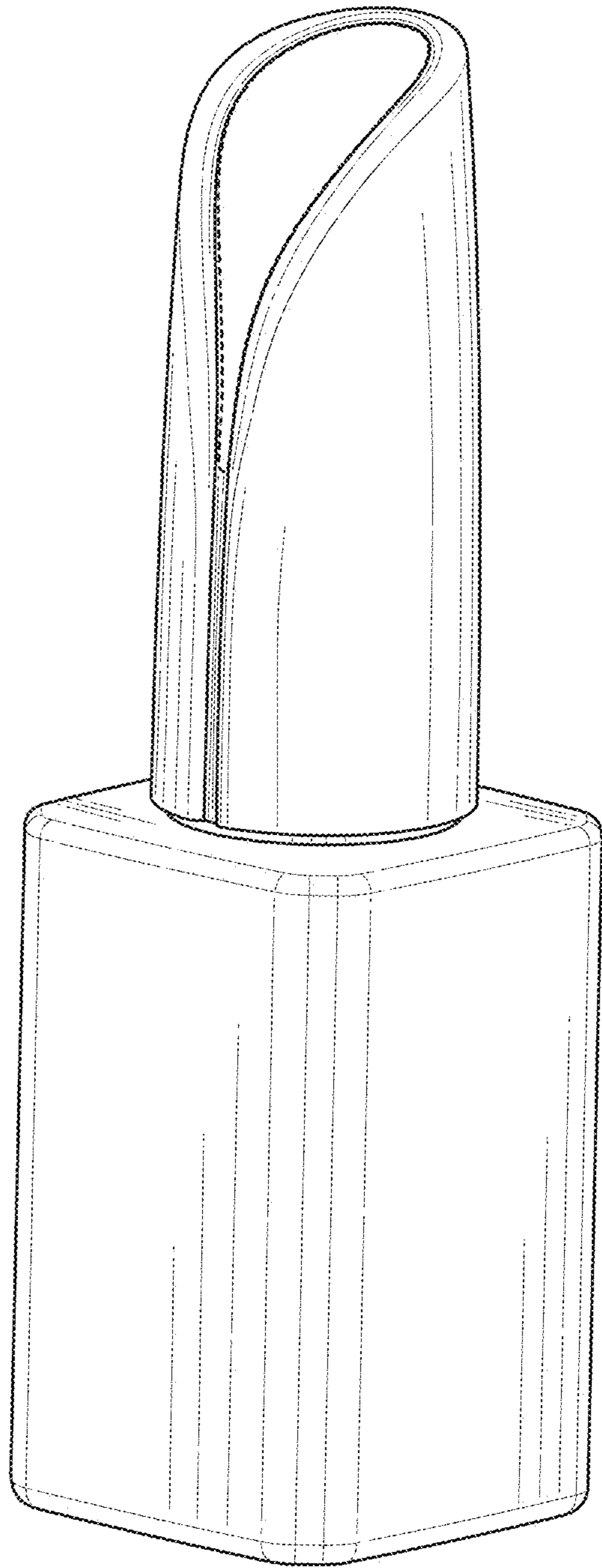


FIG. 1

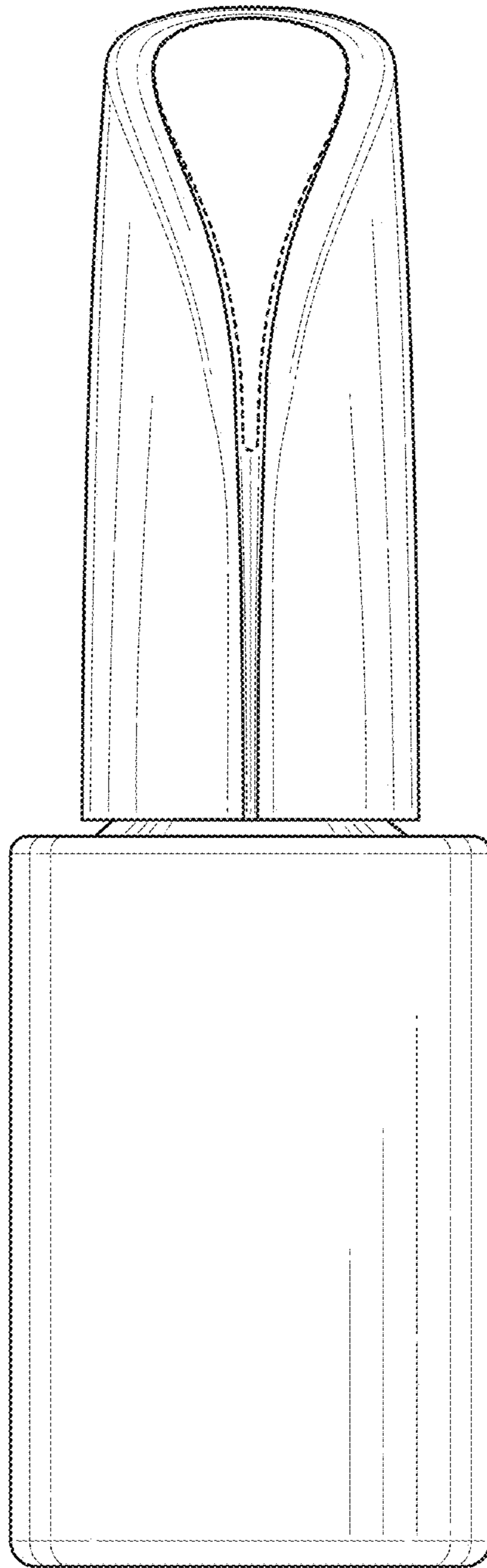


FIG. 2

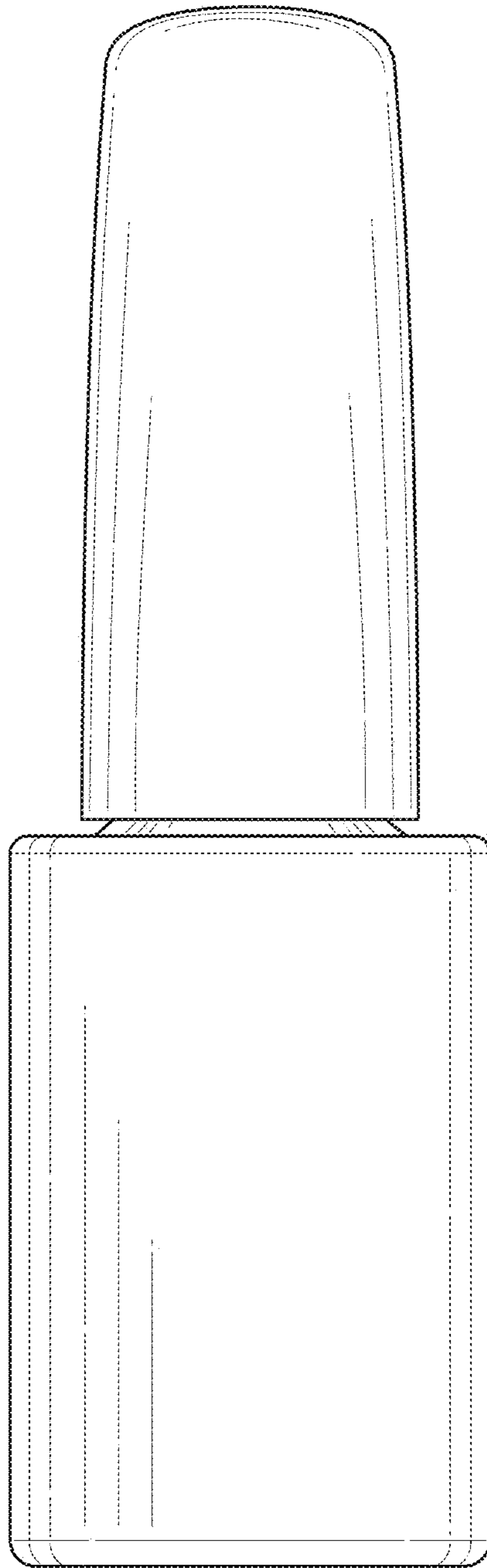


FIG. 3

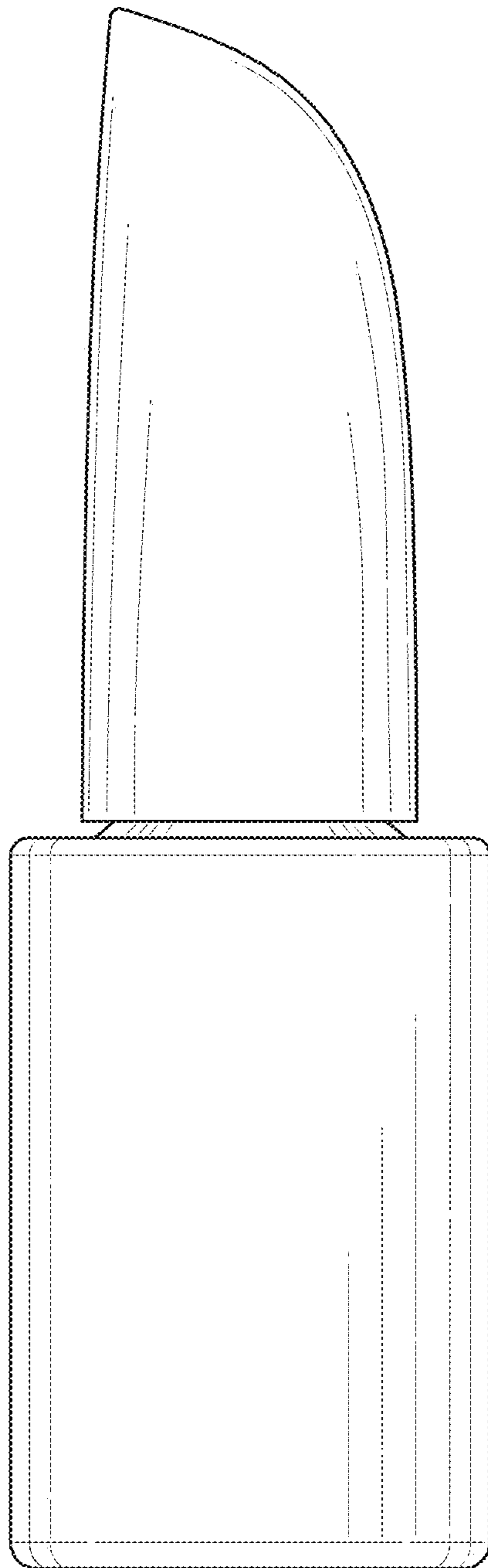


FIG. 4

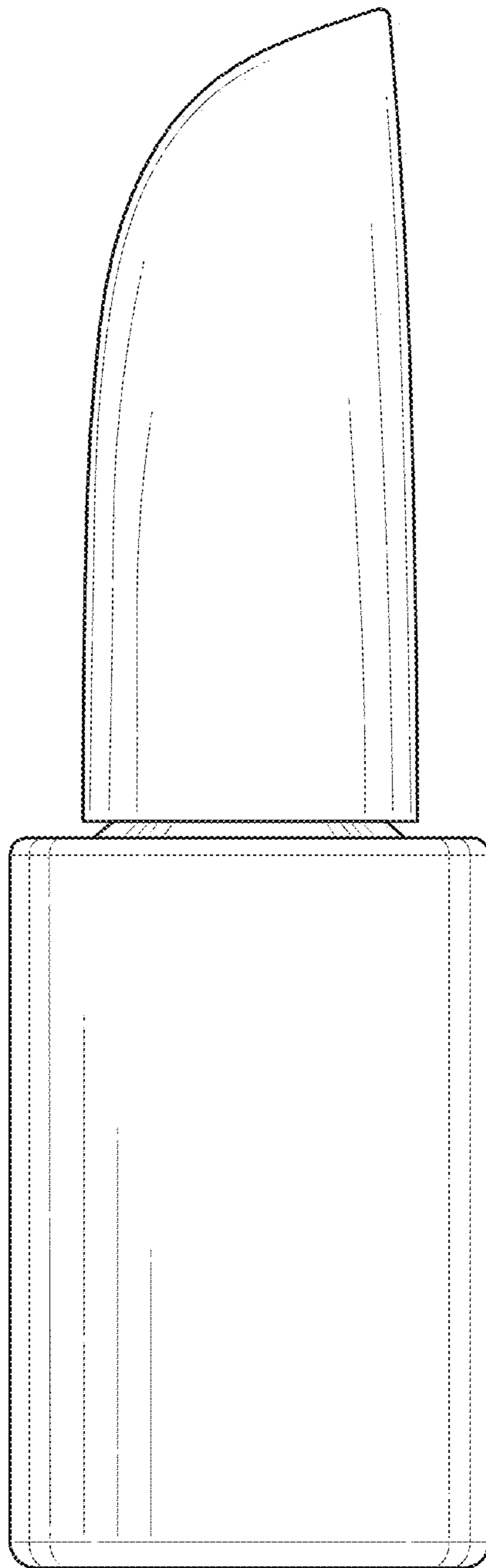


FIG. 5

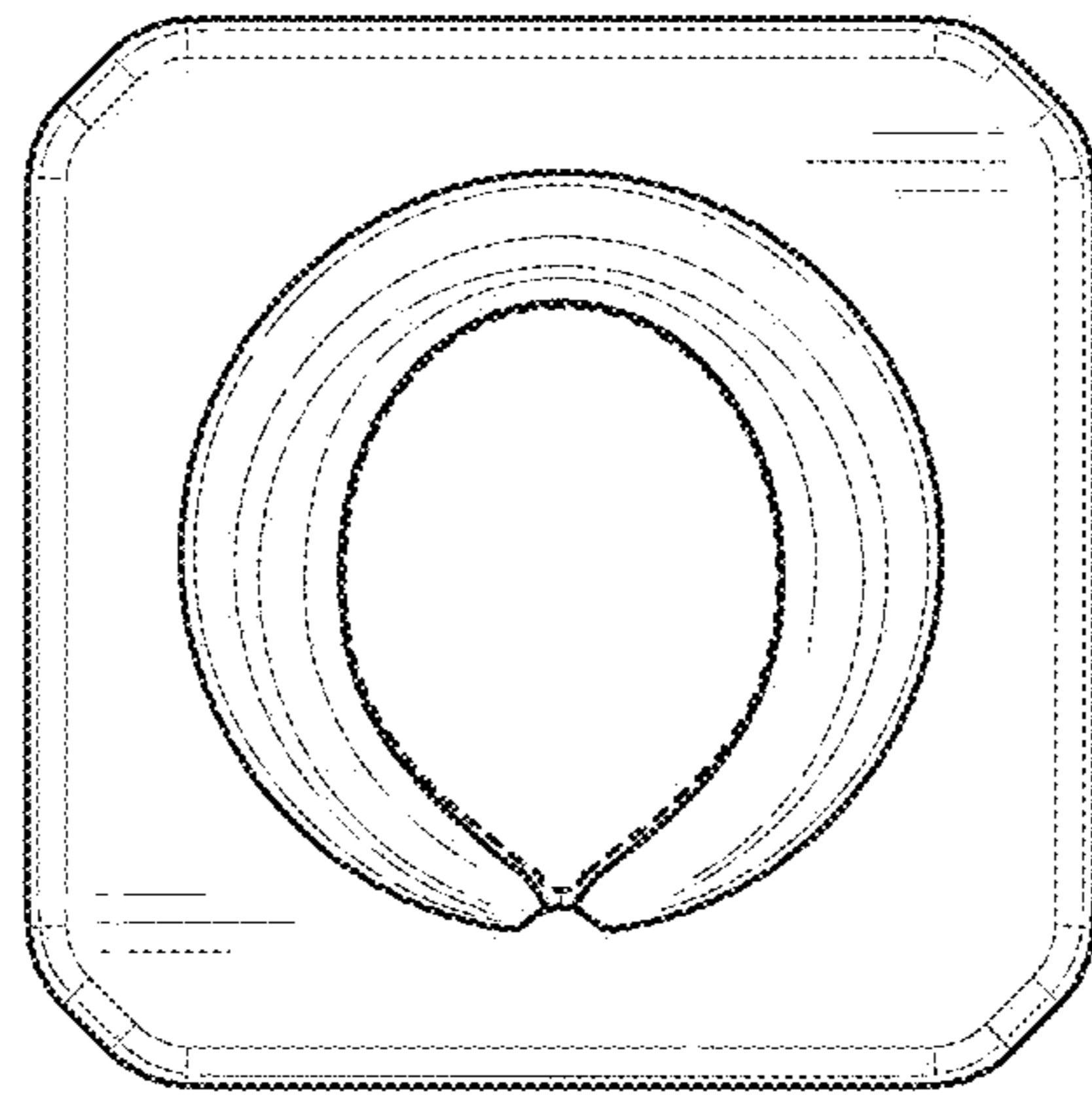


FIG. 6

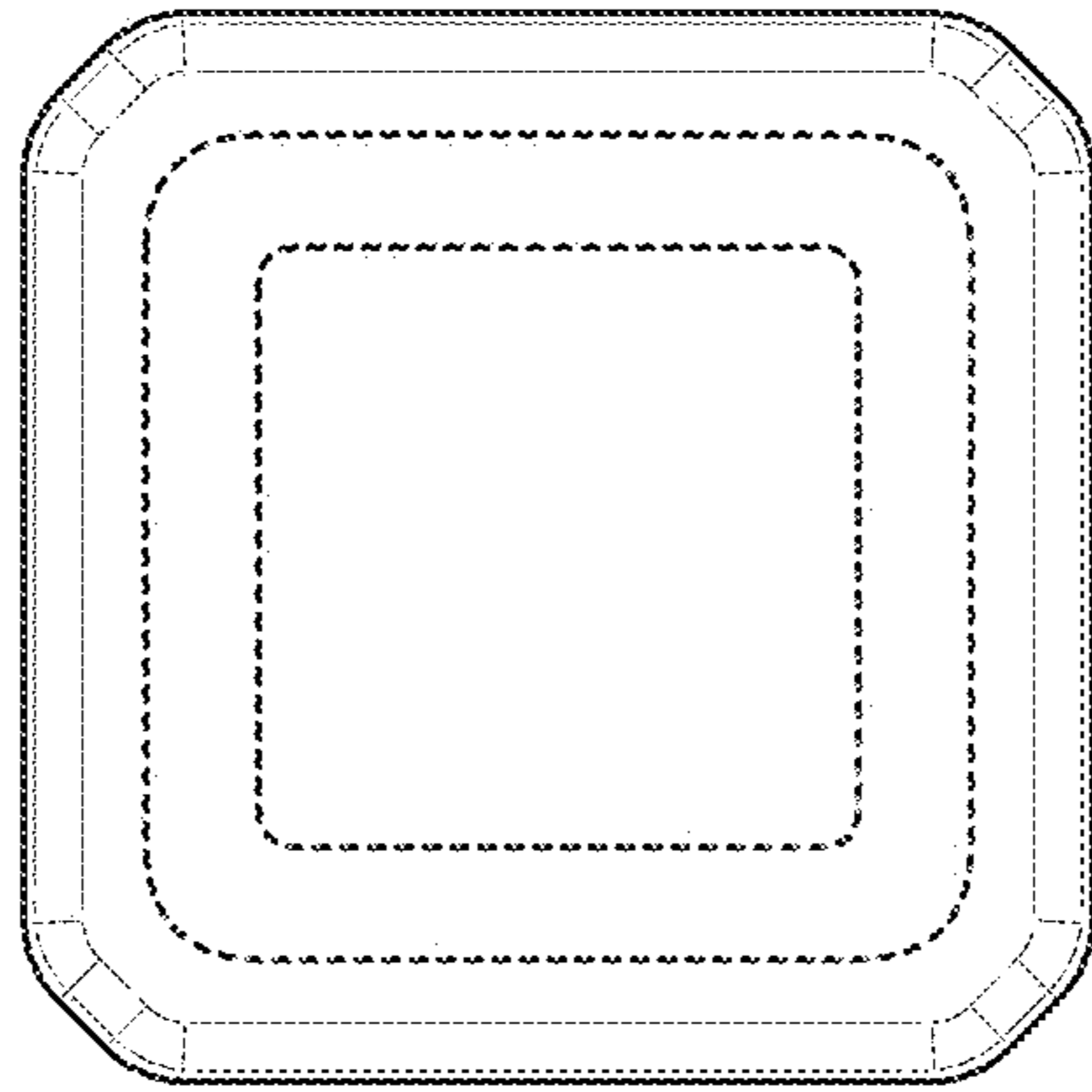


FIG. 7