



US00D933484S

(12) **United States Design Patent** (10) **Patent No.:** **US D933,484 S**  
**Maclam et al.** (45) **Date of Patent:** **\*\* Oct. 19, 2021**

(54) **BOTTLE**  
(71) Applicant: **The Procter & Gamble Company**,  
Cincinnati, OH (US)  
(72) Inventors: **Dennis Lee Maclam**, Mason, OH (US);  
**Tracy Renae Murchison**, Springboro,  
OH (US); **Luis Peraza**, New Albany,  
OH (US)

3,716,650 A 2/1973 De  
D292,773 S \* 11/1987 Carlson ..... D9/691  
D349,045 S \* 7/1994 Schmitt ..... D9/692  
D372,873 S \* 8/1996 Lathrop ..... D9/558  
D374,613 S \* 10/1996 Maxwell ..... D9/694  
D398,535 S \* 9/1998 Henderson ..... D9/542  
D398,536 S \* 9/1998 Chan ..... D9/542

(Continued)

(73) Assignee: **The Procter & Gamble Company**,  
Cincinnati, OH (US)

FOREIGN PATENT DOCUMENTS

JP D1416921 \* 6/2011

(\*\*) Term: **15 Years**

OTHER PUBLICATIONS

(21) Appl. No.: **29/761,039**

Cutter Insect Repellent, Oct. 10, 2014, Cutter Facebook Post, Url:  
<https://www.facebook.com/cutterinsectrepellent/photos/a.10151003199597263/10152425448052263/?type=3&theater> (Year:  
2014).\*

(22) Filed: **Dec. 7, 2020**

(Continued)

Related U.S. Application Data

(62) Division of application No. 29/676,160, filed on Jan.  
9, 2019, now Pat. No. Des. 906,822.

*Primary Examiner* — Brett Miller

(51) **LOC (13) Cl.** ..... **09-01**

*Assistant Examiner* — Rani J Abdallah

(52) **U.S. Cl.**

(74) *Attorney, Agent, or Firm* — Jason Jeffrey Camp

USPC ..... **D9/542**; D9/537

(58) **Field of Classification Search**

(57) **CLAIM**

USPC ..... D9/522, 523, 542, 563, 574, 432, 516,  
D9/539, 541, 543, 551, 573, 530, 549,  
D9/435, 503, 504, 509, 529, 570,  
D9/682–694, 716

The ornamental design for a bottle, as shown and described.

CPC . B65D 1/0223; B65D 2501/0081; B65D 1/02  
See application file for complete search history.

DESCRIPTION

(56) **References Cited**

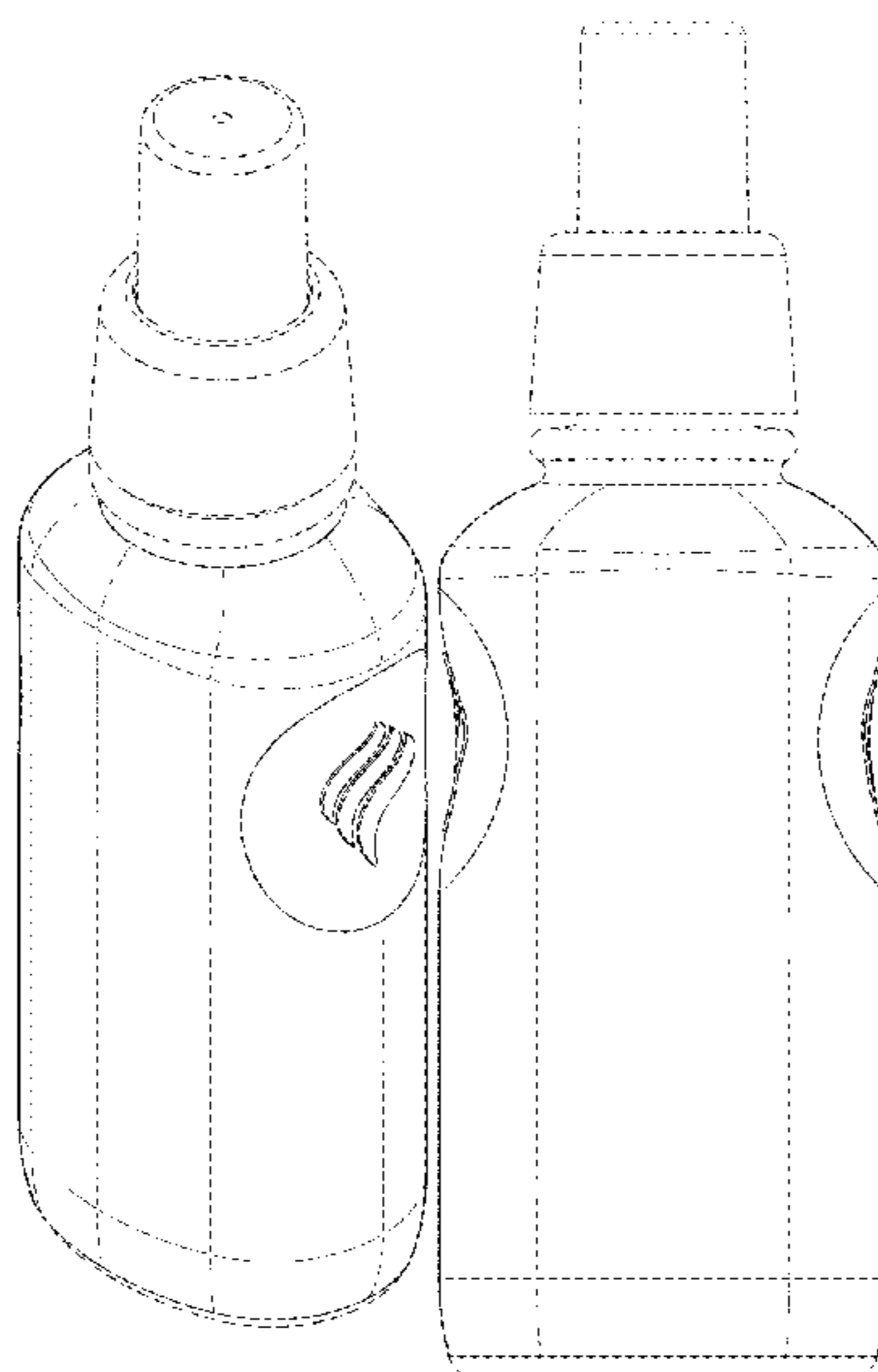
FIG. 1 is a perspective view of a bottle embodying our new  
design;  
FIG. 2 is a front view thereof;  
FIG. 3 is a left side view thereof;  
FIG. 4 is a back view thereof;  
FIG. 5 is a right side view thereof;  
FIG. 6 is a top view thereof; and,  
FIG. 7 is a bottom view thereof.

U.S. PATENT DOCUMENTS

D76,288 S 9/1928 Coppock  
D79,888 S 11/1929 McMillan  
D90,470 S 8/1933 Black  
D97,400 S \* 11/1935 Lewis ..... D9/539  
3,285,256 A \* 11/1966 Despard ..... A45D 29/16  
132/74.5

The broken lines are shown for the purpose of illustrating  
parts of the bottle that form no part of the claimed design.

**1 Claim, 3 Drawing Sheets**



(56)

References Cited

U.S. PATENT DOCUMENTS

D411,100 S \* 6/1999 Torres ..... D9/692  
 D418,746 S \* 1/2000 Featherston ..... D9/682  
 D429,629 S \* 8/2000 Kuzma ..... D9/682  
 D429,648 S \* 8/2000 Goettner ..... D9/543  
 D443,825 S \* 6/2001 Goettner ..... D9/530  
 D451,377 S \* 12/2001 Johnson ..... D9/539  
 D451,396 S \* 12/2001 Johnson ..... D9/530  
 D464,874 S \* 10/2002 Tune ..... D9/682  
 D472,154 S \* 3/2003 Peon ..... D9/543  
 D486,069 S \* 2/2004 Steele, IV ..... D9/543  
 D489,625 S \* 5/2004 Steele, IV ..... D9/543  
 D553,984 S 10/2007 Berger  
 D556,572 S 12/2007 Mongeon  
 D562,692 S 2/2008 Norton  
 D566,545 S 4/2008 Bone  
 D577,294 S 9/2008 Suxdorf  
 D584,961 S \* 1/2009 Yakoby ..... D9/690  
 D585,299 S \* 1/2009 Miller ..... D9/682  
 D587,111 S 2/2009 Seol  
 D589,359 S 3/2009 Kusumi  
 D590,251 S 4/2009 Seol  
 D599,201 S 9/2009 Seol  
 D600,128 S \* 9/2009 Miller ..... D9/530  
 D607,738 S \* 1/2010 Kuzma ..... D9/573  
 D610,451 S 2/2010 Rippe  
 D618,114 S \* 6/2010 Lee ..... D9/686  
 D622,609 S 8/2010 Partin  
 D622,774 S 8/2010 Seum et al.  
 D626,010 S 10/2010 Criss  
 D637,486 S 5/2011 Andrew  
 D639,179 S 6/2011 Powers  
 D642,590 S 8/2011 Jubelirer  
 D642,911 S 8/2011 Gonzalez  
 D644,102 S 8/2011 Kopulos  
 D648,214 S 11/2011 Gonzalez  
 D649,045 S 11/2011 Kopulos  
 D649,452 S 11/2011 Gonzalez  
 D649,453 S 11/2011 Gonzalez  
 D651,097 S 12/2011 Charles  
 D652,296 S 1/2012 Gonzalez  
 D655,155 S 3/2012 Tekulve  
 D656,016 S 3/2012 Hablutzel  
 D656,397 S 3/2012 Gonzalez  
 D656,398 S 3/2012 Gonzalez et al.  
 D656,399 S 3/2012 Gonzalez et al.  
 D661,200 S 6/2012 Subler  
 D674,102 S 1/2013 Smith  
 D676,316 S 2/2013 Powers  
 D676,743 S 2/2013 Powers  
 D681,473 S \* 5/2013 Nanda ..... D9/541  
 D683,218 S 5/2013 Thompson  
 D691,476 S 10/2013 Macaulay  
 D691,887 S 10/2013 Macaulay  
 D703,532 S 4/2014 Merchant  
 D712,737 S 9/2014 Gotur  
 D714,141 S 9/2014 Robinson  
 D716,650 S 11/2014 Robinson  
 D738,732 S \* 9/2015 Gelov ..... D9/551  
 D740,651 S 10/2015 Uribe et al.  
 D745,393 S 12/2015 Robinson  
 D747,196 S 1/2016 Merchant  
 D748,474 S 2/2016 Choi  
 D749,414 S 2/2016 Choi  
 D750,484 S 3/2016 Boston  
 D750,494 S 3/2016 Boston  
 D751,906 S 3/2016 Boston  
 D753,486 S 4/2016 Boston  
 D753,487 S 4/2016 Wells  
 D758,494 S 6/2016 Slayton et al.  
 D758,877 S \* 6/2016 Vaughn-Batiz ..... D9/682  
 D774,400 S 12/2016 Miyazaki  
 D778,164 S \* 2/2017 Vaughn-Batiz ..... D9/574  
 D783,396 S 4/2017 Riffe

D787,331 S 5/2017 Sims et al.  
 D794,442 S 8/2017 Boston  
 D795,073 S 8/2017 Powers  
 D796,314 S 9/2017 Riffe  
 D799,964 S 10/2017 Abel  
 D803,692 S \* 11/2017 Enxing ..... D9/539  
 D807,195 S \* 1/2018 Richmond ..... D9/682  
 D811,894 S \* 3/2018 Frias ..... D9/682  
 D812,470 S 3/2018 Boston  
 D813,031 S 3/2018 Boston  
 D813,050 S 3/2018 Blake  
 D820,676 S 6/2018 Powers  
 D821,199 S 6/2018 Boston  
 D822,477 S 7/2018 Ishizawa  
 D826,710 S 8/2018 Torres  
 D827,428 S 9/2018 Torres  
 D833,087 S 11/2018 Nieves  
 D833,868 S 11/2018 Marotti  
 D849,532 S 5/2019 Ishizawa  
 D850,277 S 6/2019 Murchison  
 D854,416 S 7/2019 Sims et al.  
 D863,956 S 10/2019 Riffe  
 D871,211 S 12/2019 Marcano  
 D876,218 S 2/2020 Thompson  
 D882,396 S 4/2020 Thompson  
 D883,081 S 5/2020 Marcano  
 D883,087 S 5/2020 Riffe  
 D883,088 S 5/2020 Riffe et al.  
 D885,180 S 5/2020 Murchison  
 D896,640 S 9/2020 Riffe  
 D899,248 S 10/2020 Murchison  
 D899,923 S 10/2020 Murchison  
 D901,299 S 11/2020 Marcano  
 D906,822 S 1/2021 Madam et al.  
 2010/0006606 A1 \* 1/2010 Lee ..... B05B 11/0094  
 222/383.1

OTHER PUBLICATIONS

Greenerways Bug Repellent, Oct. 29, 2018, Greenways Orgainc Youtube Post, URL: [https://www.youtube.com/watch?v=qvbp0aJgyJg&feature=emb\\_logo](https://www.youtube.com/watch?v=qvbp0aJgyJg&feature=emb_logo) (Year: 2018).\*

Vicks VapoCOOL Sore Throat Spray—Winterfrost—6 fl oz, available Sep. 2019, [online], [site visited Jun. 19, 2020], Vicks VapoCOOL Sore Throat Spray—Winterfrost—6 fl oz, available Sep. 2019, [online], [site visited Jun. 19, 2020], Available from internet URL: See attached NPL (Year: 2019).\*

Cutter Insect Repellent, Oct. 10, 2014, Cutter Facebook Post, Url: <https://v/ww.facebook.com/cutterinsectrepellent/photo/a.10151003199597263/10152425448052263/?type=3&theater> (Year: 2014).

Greenerways Bug Repellent, Oct. 29, 2018, Greenways Orgainc Youtube Post, URL: [https://www.youtube.com/watch?v=qvbp0aJgyJg&feature=ennb\\_logo](https://www.youtube.com/watch?v=qvbp0aJgyJg&feature=ennb_logo) (Year: 2018).

Winterfrost, “Vicks (R) Vapocool Sore Throat Relief Lozenges, Fast-Acting Cough Drop” Retrieved from Internet, URL: <https://vicks.com/en-us/shop-products/vapocool/vicks-vapocool-sore-throat-relief-lozenges-fast-acting-cough-drop>, Dated Dec. 23, 2019, 4 pages.

All Office Actions, U.S. Appl. No. 29/676,160.

Align Probiotics Supplement, [https://www.amazon.com/Align-Probiotics-Supplement-Digestive-Probiotic/dp/B00550VOM1/ref=sr\\_1\\_4?crd=N6D9QRPD3SRA&keywords=align%2Caps%2C125&sr=8-4](https://www.amazon.com/Align-Probiotics-Supplement-Digestive-Probiotic/dp/B00550VOM1/ref=sr_1_4?crd=N6D9QRPD3SRA&keywords=align%2Caps%2C125&sr=8-4), Dec. 2, 2019, 10 Pages.

Align Restorative Sleep and Melatonin Supplement Capsules Retrieved from <https://www.alignprobiotics.com/en-us/shop-probiotic-supplements/align-restorative-sleep-and-melatonin-supplement-capsules>, Dec. 17, 2020, 4 Pages.

All Office Actions, U.S. Appl. No. 29/676,166.

All Office Actions, U.S. Appl. No. 29/732,316.

All Office Actions; U.S. Appl. No. 29/677,659.

All Office Actions; U.S. Appl. No. 29/730,056.

\* cited by examiner

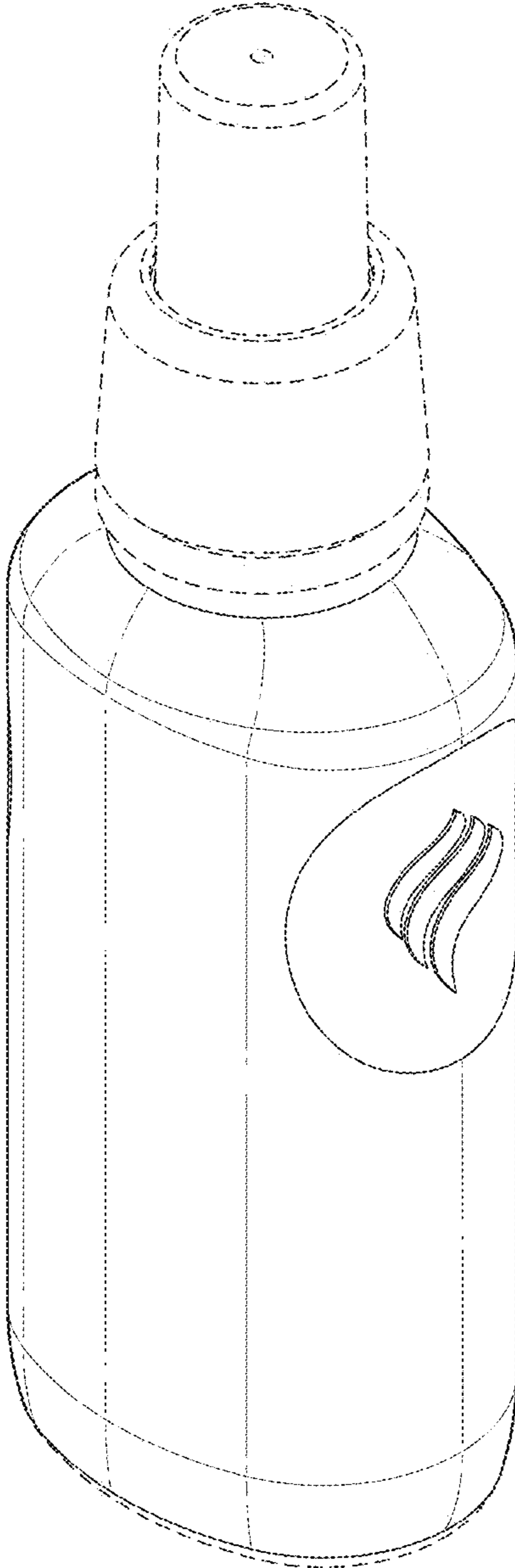


FIG. 1

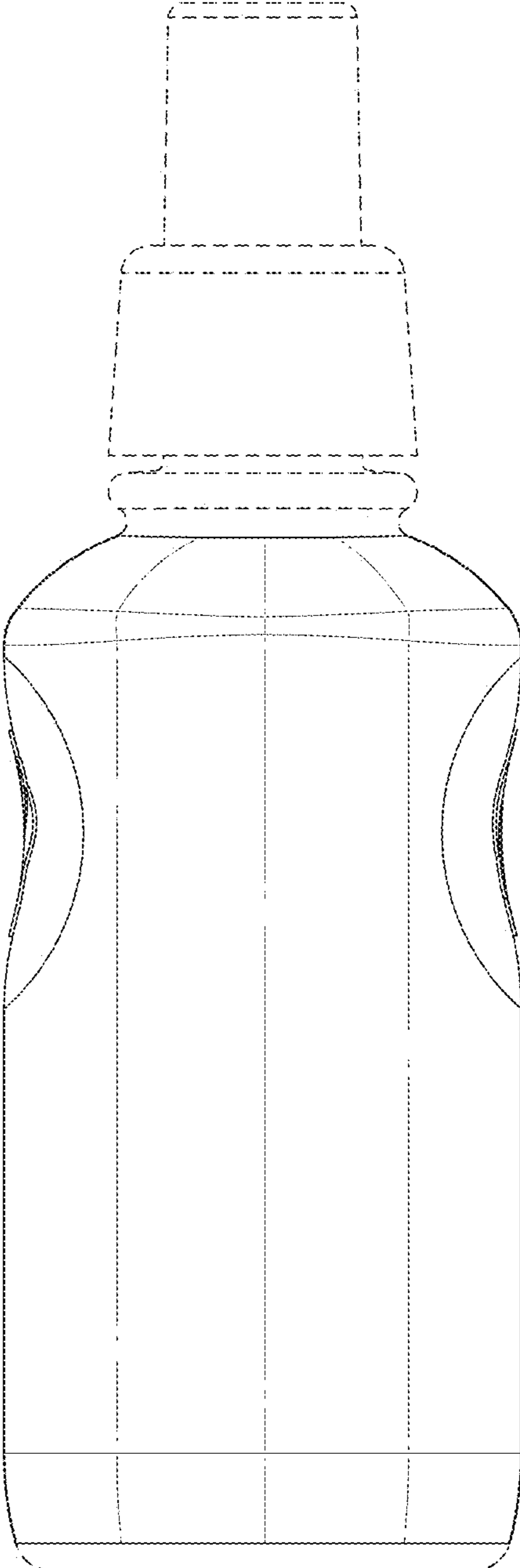


FIG. 2

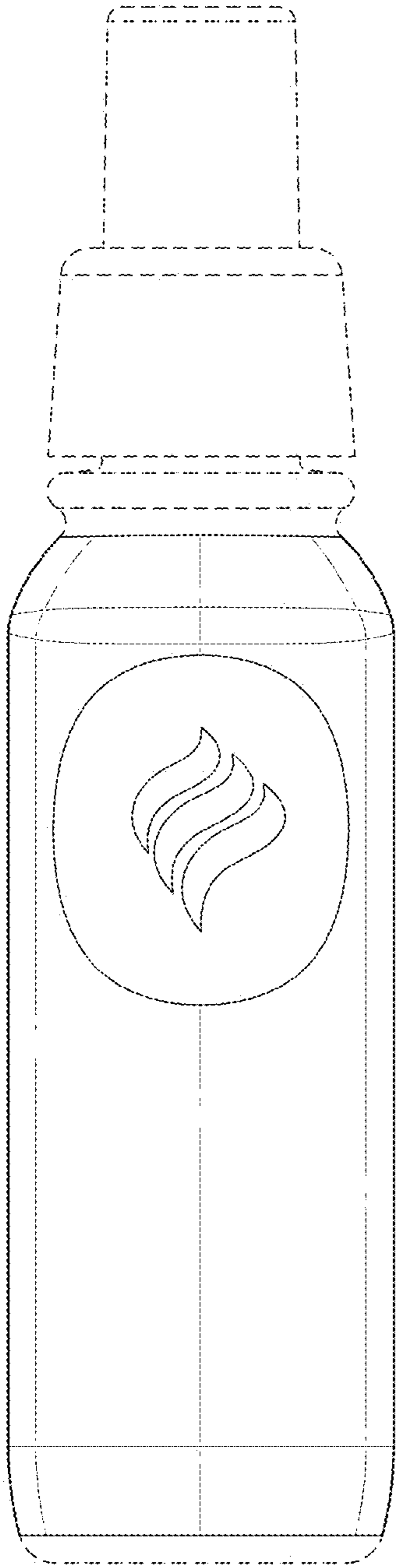


FIG. 3

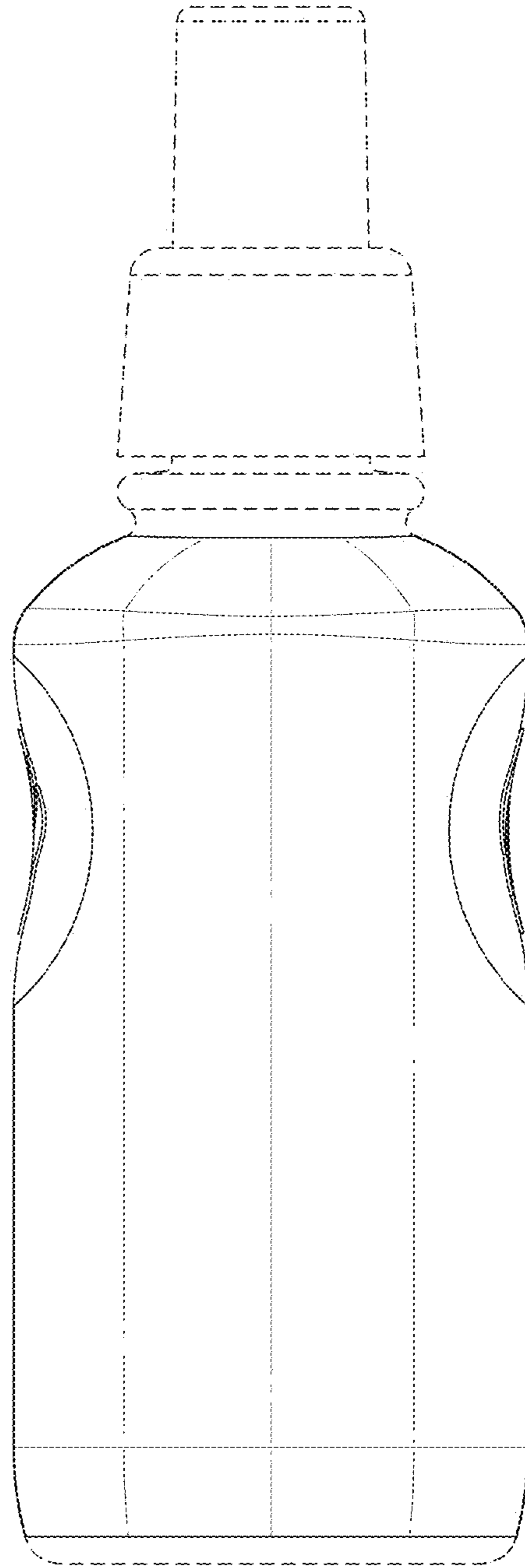


FIG. 4

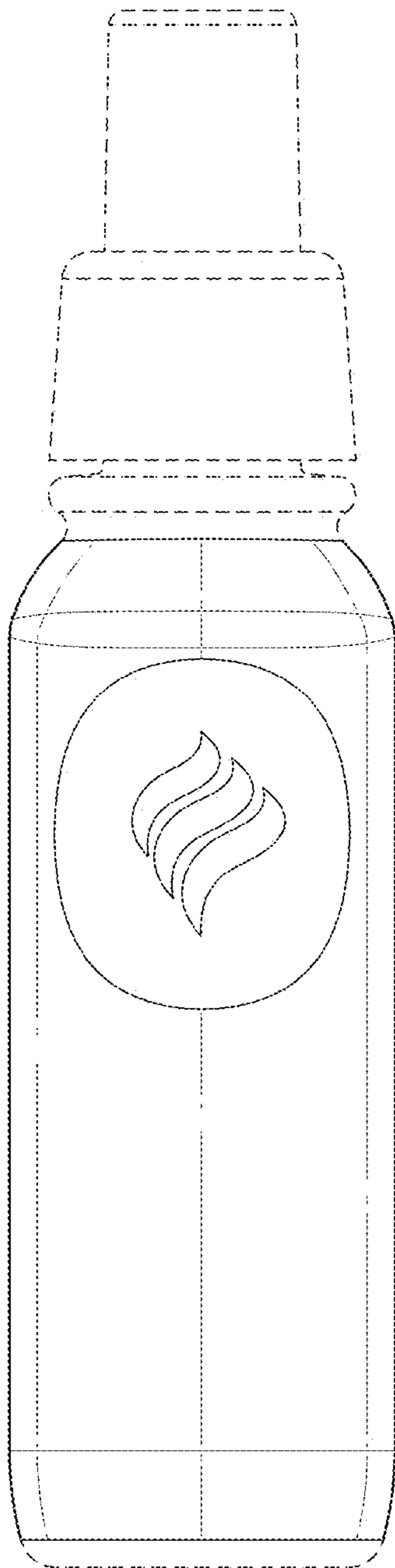


FIG. 5

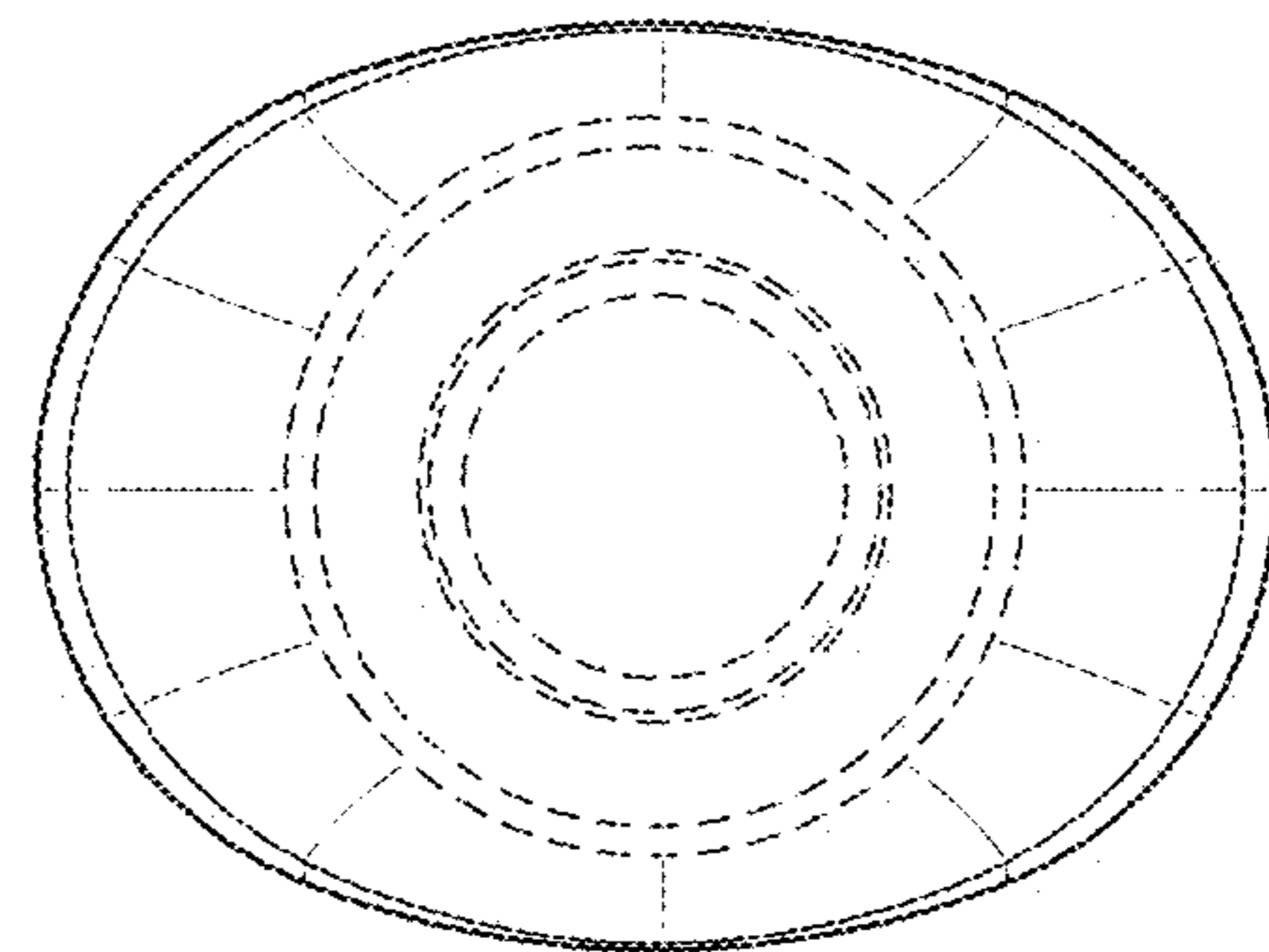


FIG. 6

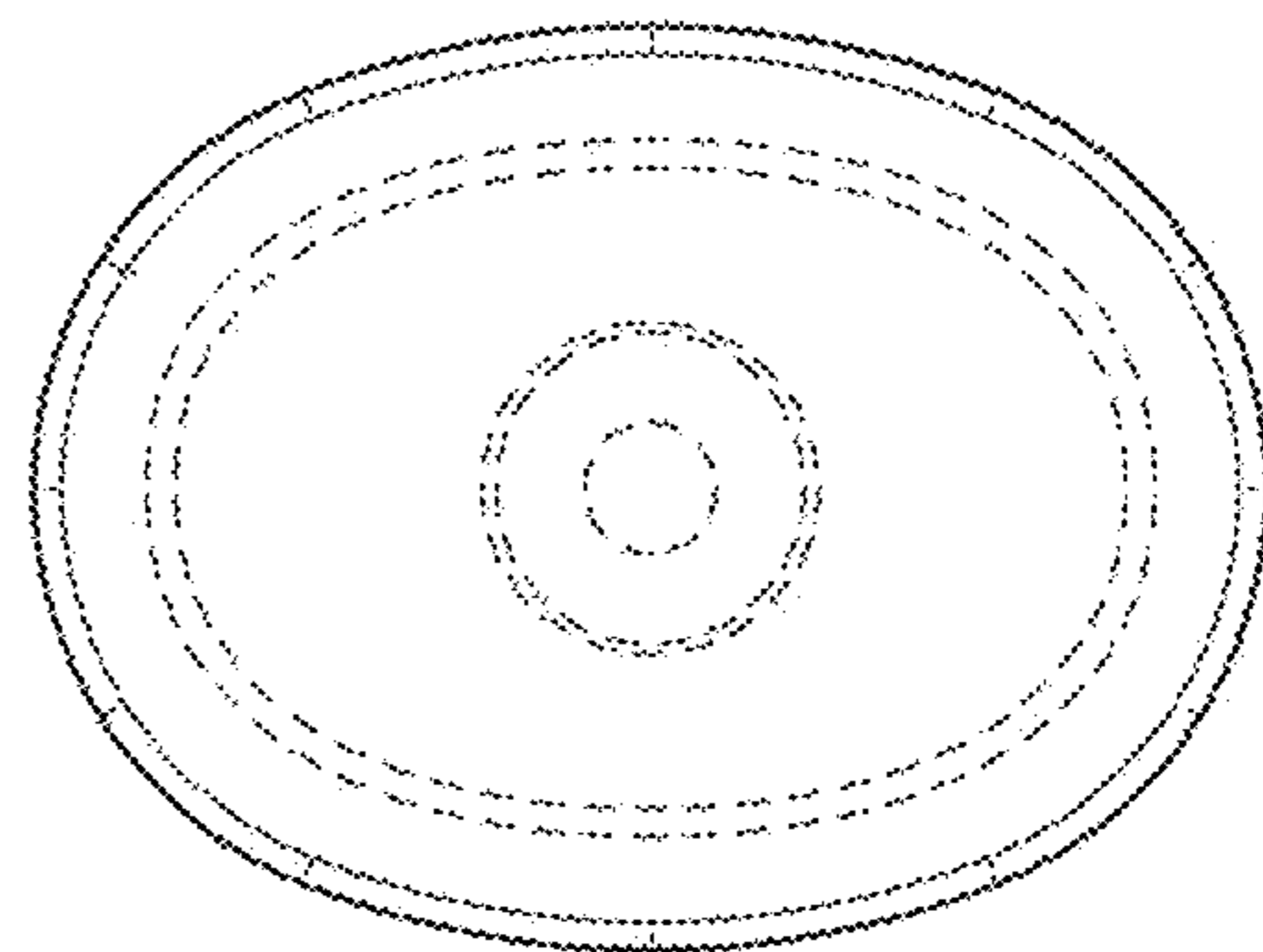


FIG. 7