



US00D933481S

(12) **United States Design Patent**
Eriksson et al.

(10) **Patent No.:** **US D933,481 S**

(45) **Date of Patent:** **** Oct. 19, 2021**

- (54) **CAN**
- (71) Applicant: **MODORAL BRANDS INC.**,
Winston-Salem, NC (US)
- (72) Inventors: **Thomas Eriksson**, Strandbaden (SE);
Jason Carignan, Thousand Oaks, CA
(US)
- (73) Assignee: **Modoral Brands Inc.**, Winston-Salem,
NC (US)

(**) Term: **15 Years**

(21) Appl. No.: **29/699,441**

(22) Filed: **Jul. 25, 2019**

(51) **LOC (13) Cl.** **09-01**

(52) **U.S. Cl.**

USPC **D9/504**; D27/183

(58) **Field of Classification Search**

USPC D9/500, 516, 537, 539, 549, 763–783,
D9/503, 504; D27/172, 183, 186, 187,
D27/189, 191; D3/203.3

CPC B21D 51/26; B21D 51/383; B29C 66/71;
B65D 1/00; B65D 1/02; B65D 1/12;
B65D 1/14; B65D 1/40; B65D 1/44;
B65D 1/023; B65D 1/0223; B65D 1/165;
B65D 1/238; B65D 1/246; B65D 1/253;
B65D 7/04; B65D 7/21; B65D 7/0209;
B65D 7/0233; B65D 25/00; B65D 25/28;
B65D 41/0457; B65D 41/17; B65D
53/06; B65D 75/56; B65D 79/005; B65D
2501/0036; B65D 2543/00064; B65D
2543/00074; B65D 2543/00083; B65D
2543/00092; B65D 2543/00101; B65D
2543/00111; Y10T 29/49826

See application file for complete search history.

(56) **References Cited**

U.S. PATENT DOCUMENTS

- D493,721 S * 8/2004 Puigbo D28/76
- D617,210 S * 6/2010 Abolfazlian D9/772

- D664,840 S * 8/2012 Jones D9/423
- D686,513 S * 7/2013 Henriksson D9/504
- D803,677 S * 11/2017 Yang D9/503
- D814,705 S * 4/2018 Norris D28/82
- D853,240 S * 7/2019 Steel B65D 13/02
D9/500
- D887,285 S * 6/2020 Straughan A45D 33/003
D9/772
- 2009/0188517 A1 * 7/2009 Thorpe A45D 33/003
132/307
- 2018/0016055 A1 * 1/2018 Tobey B65D 13/02

OTHER PUBLICATIONS

Chadizzy1; “Dryft Nicotine Pouches—Review”; [online] ‘www.chadizzy1.blogspot.com/2019/01/dryft-nicotine-pouches-review-13.html’; dated Jan. 13, 2019; accessed Mar. 27, 2021; 3pgs. (Year: 2019).*

* cited by examiner

Primary Examiner — Keli L Hill

(74) *Attorney, Agent, or Firm* — Womble Bond Dickinson
(US) LLP

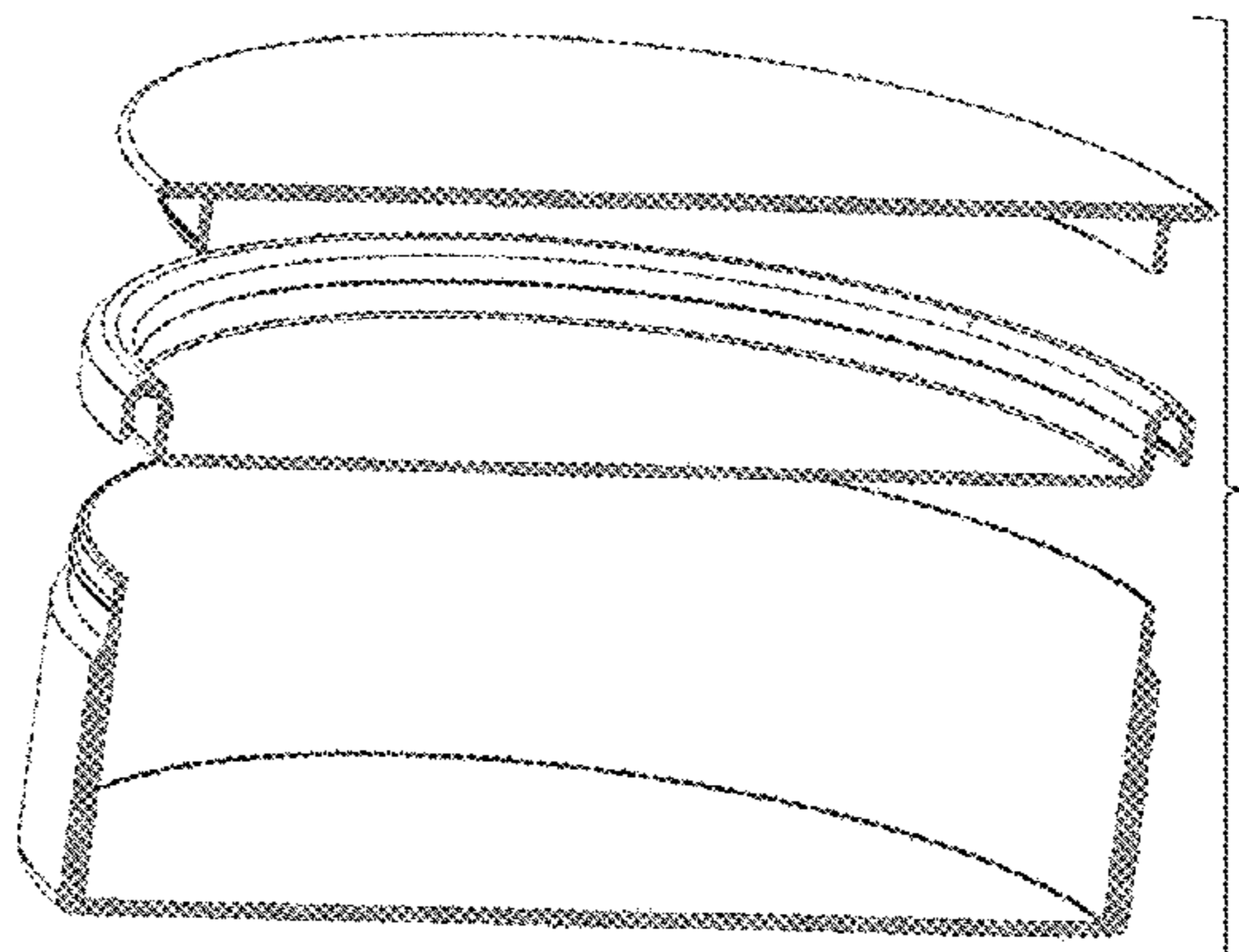
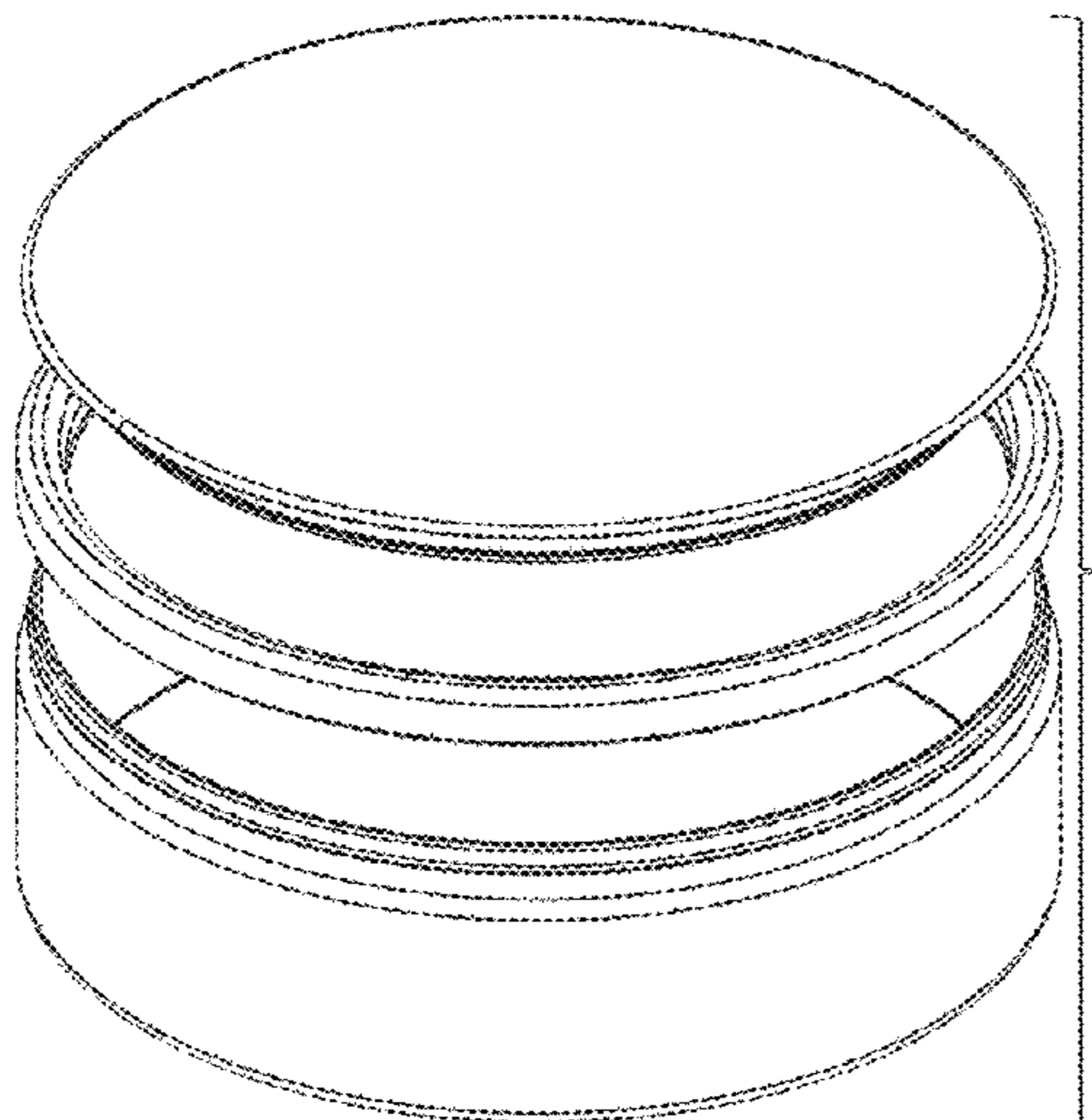
(57) **CLAIM**

The ornamental design for a can, as shown and described.

DESCRIPTION

FIG. 1 is a top perspective view of a can showing our new design with the can parts separated;
FIG. 2 is a top plan view thereof;
FIG. 3 is a left side exploded elevation view thereof;
FIG. 4 is a front exploded elevation view thereof;
FIG. 5 is a right side exploded elevation view thereof;
FIG. 6 is a rear exploded elevation view thereof;
FIG. 7 is a bottom plan view thereof;
FIG. 8 is a bottom perspective view thereof;
FIG. 9 is a cross-sectional view thereof; and,
FIG. 10 is a perspective, cross-sectional view thereof.

1 Claim, 10 Drawing Sheets



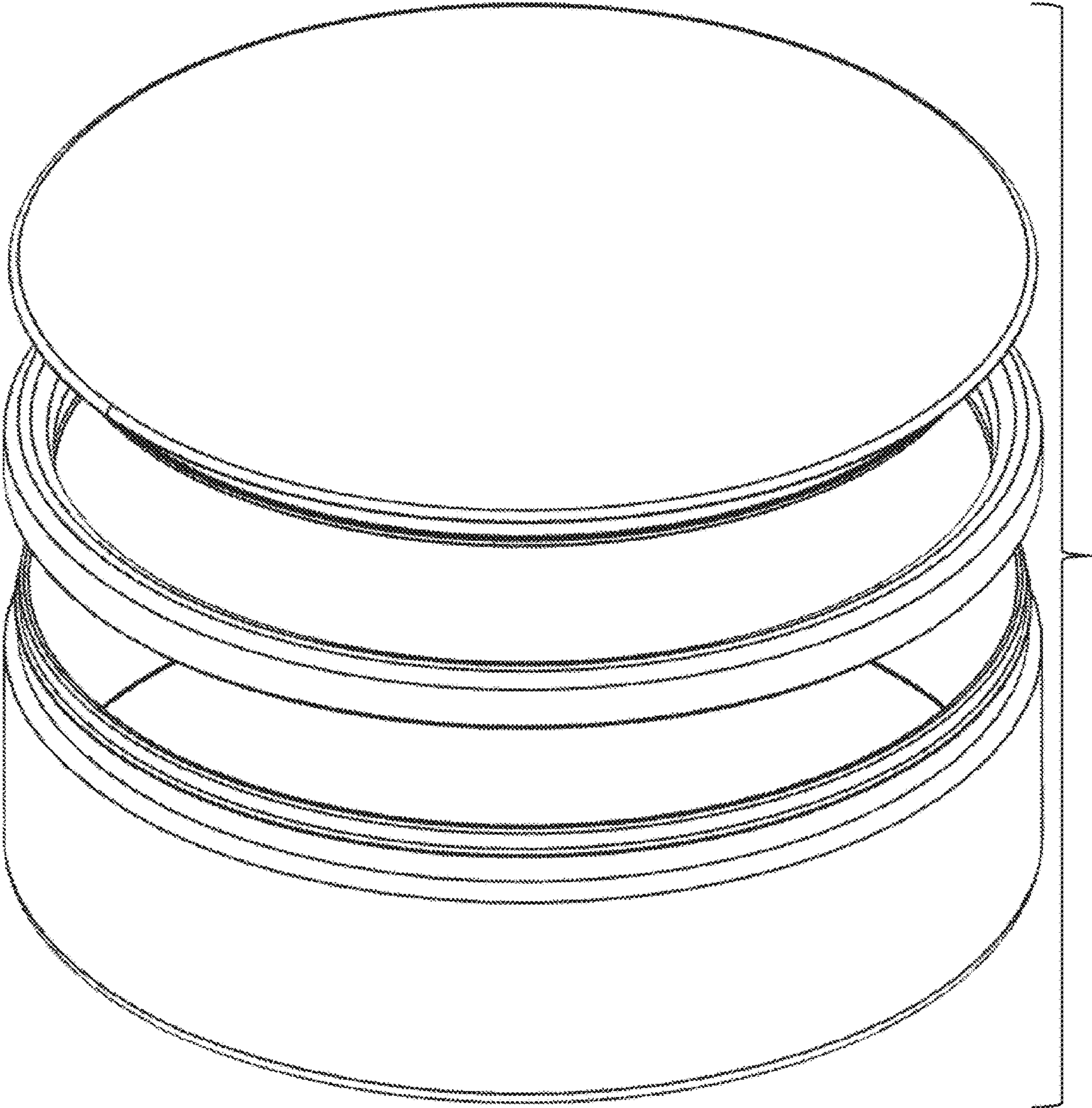


FIG. 1

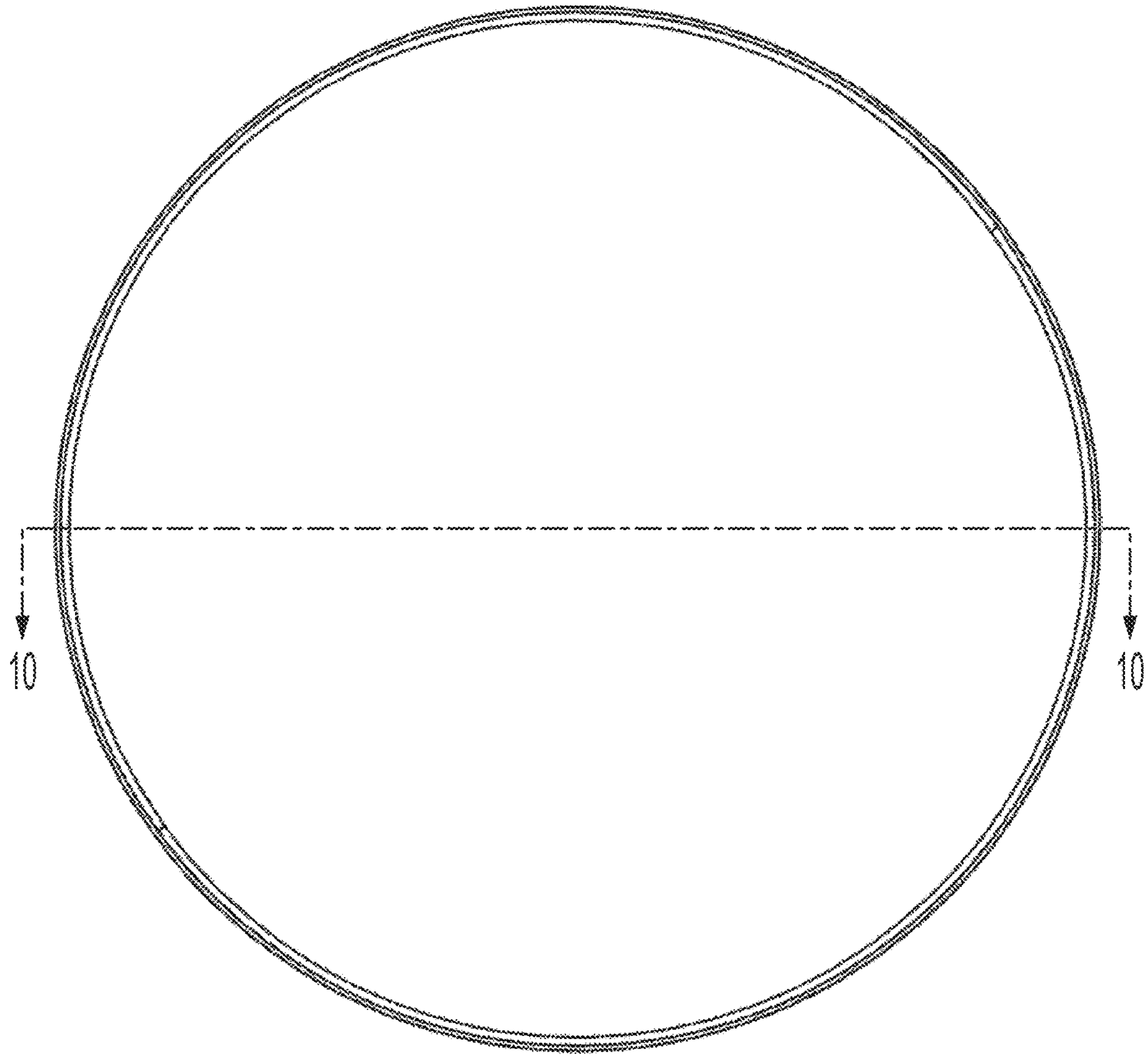


FIG. 2

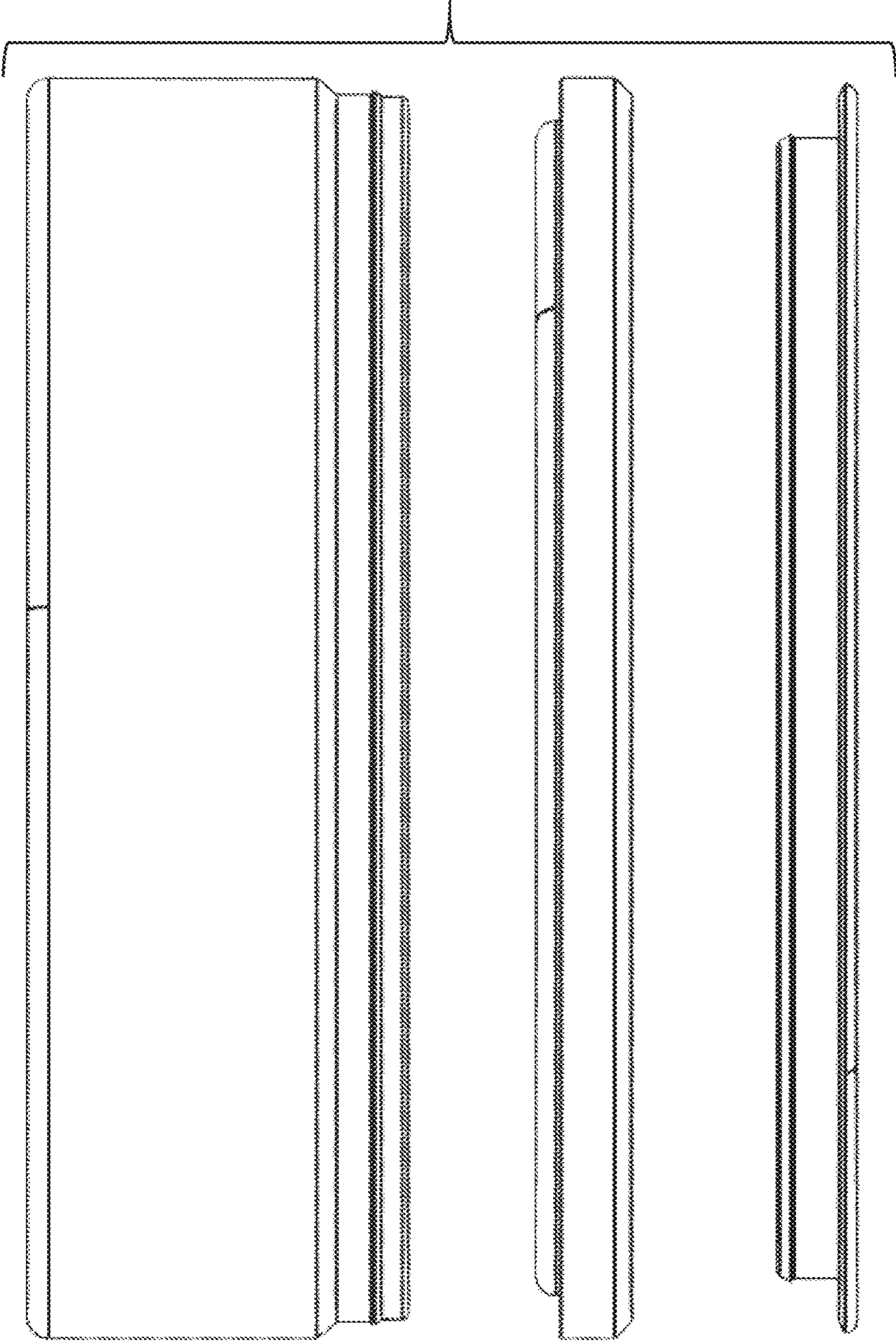


FIG. 3

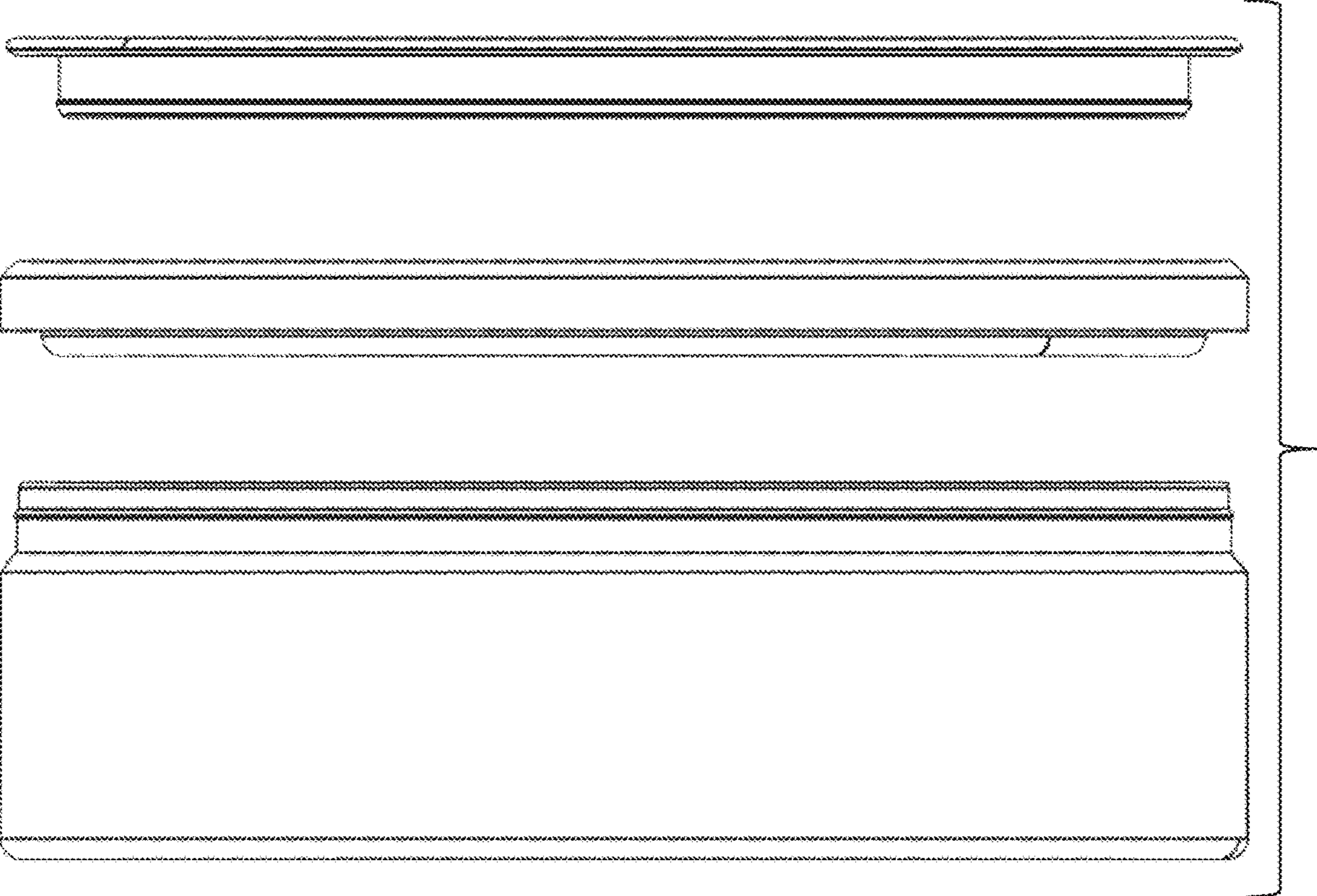


FIG. 4

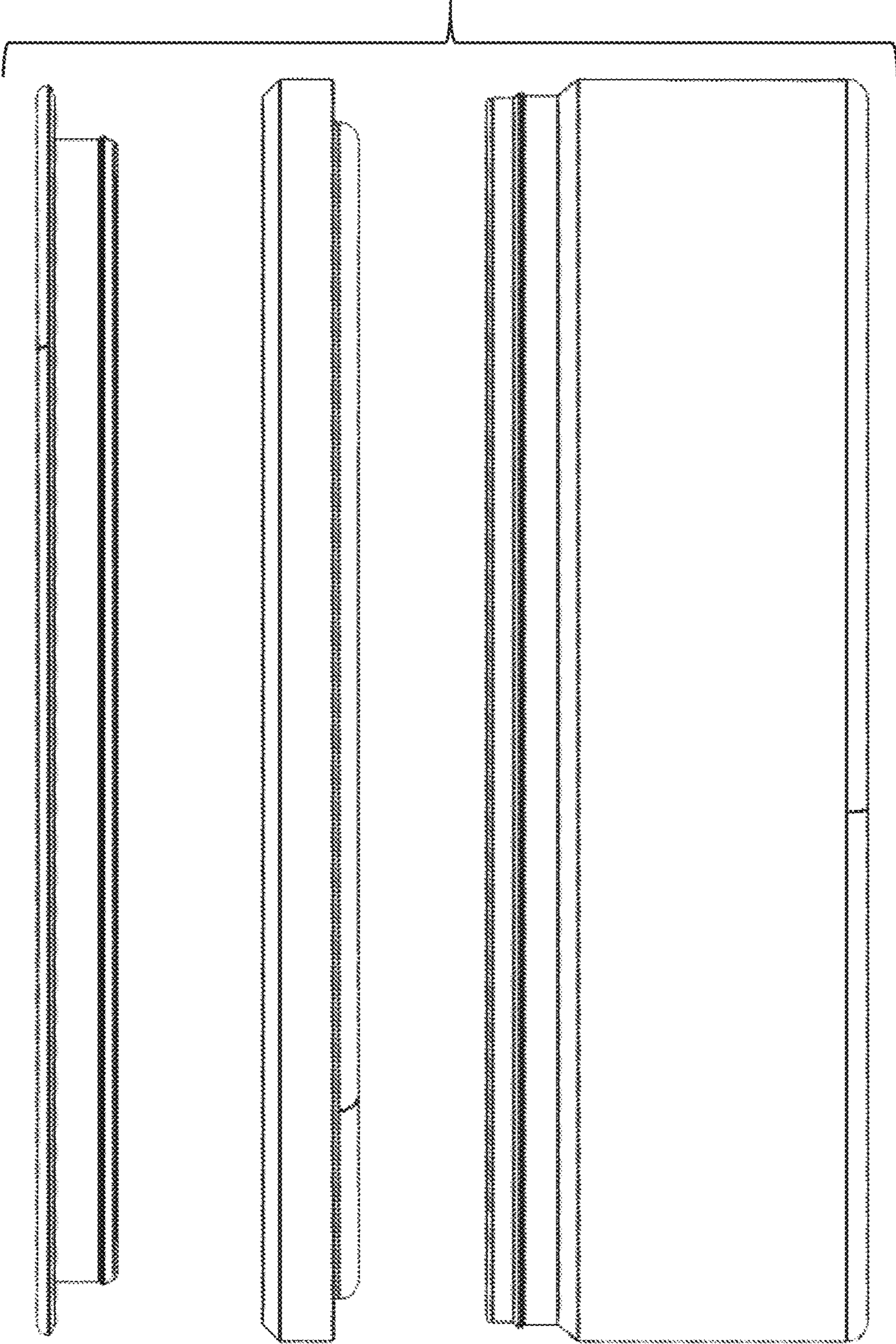


FIG. 5

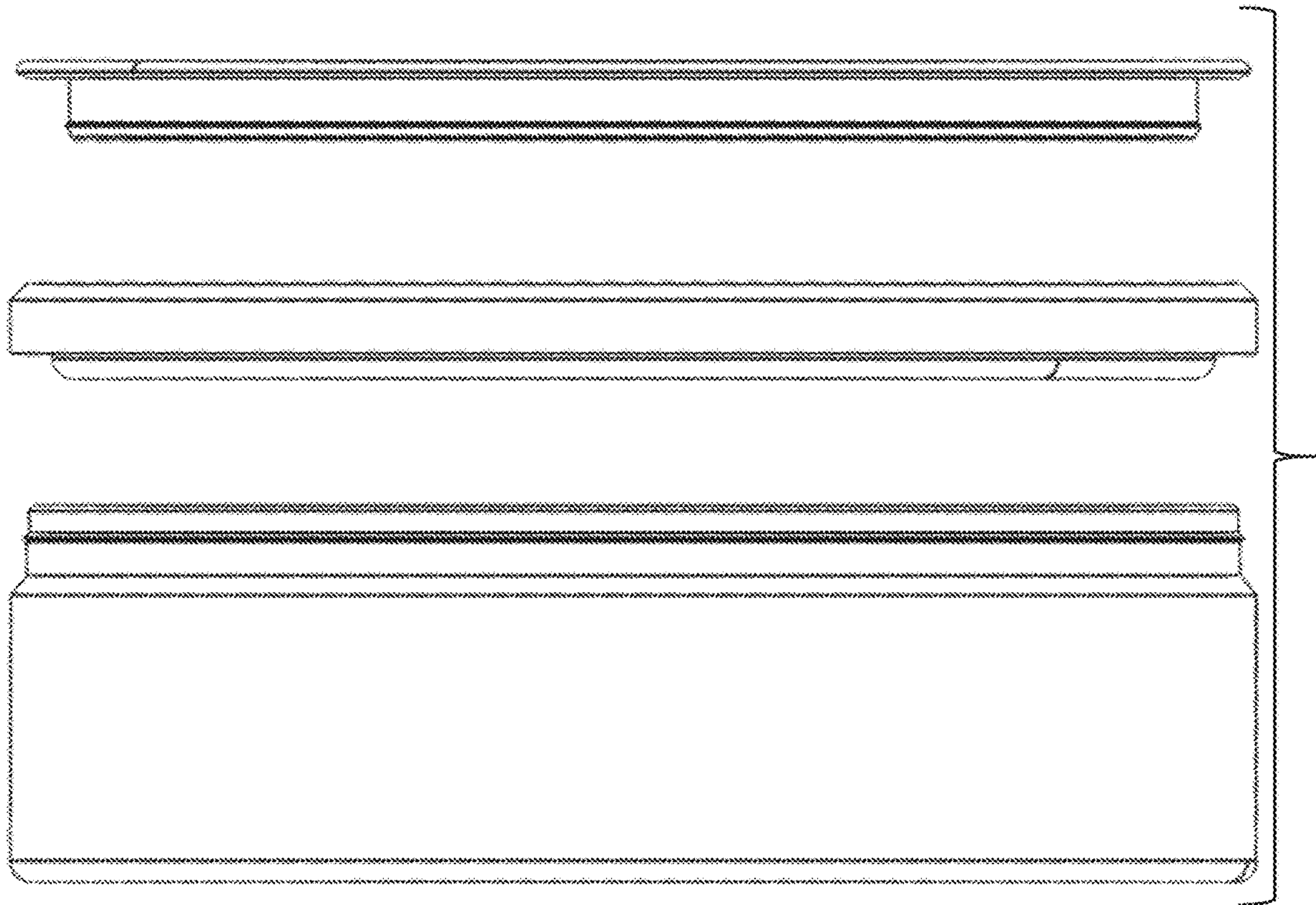


FIG. 6

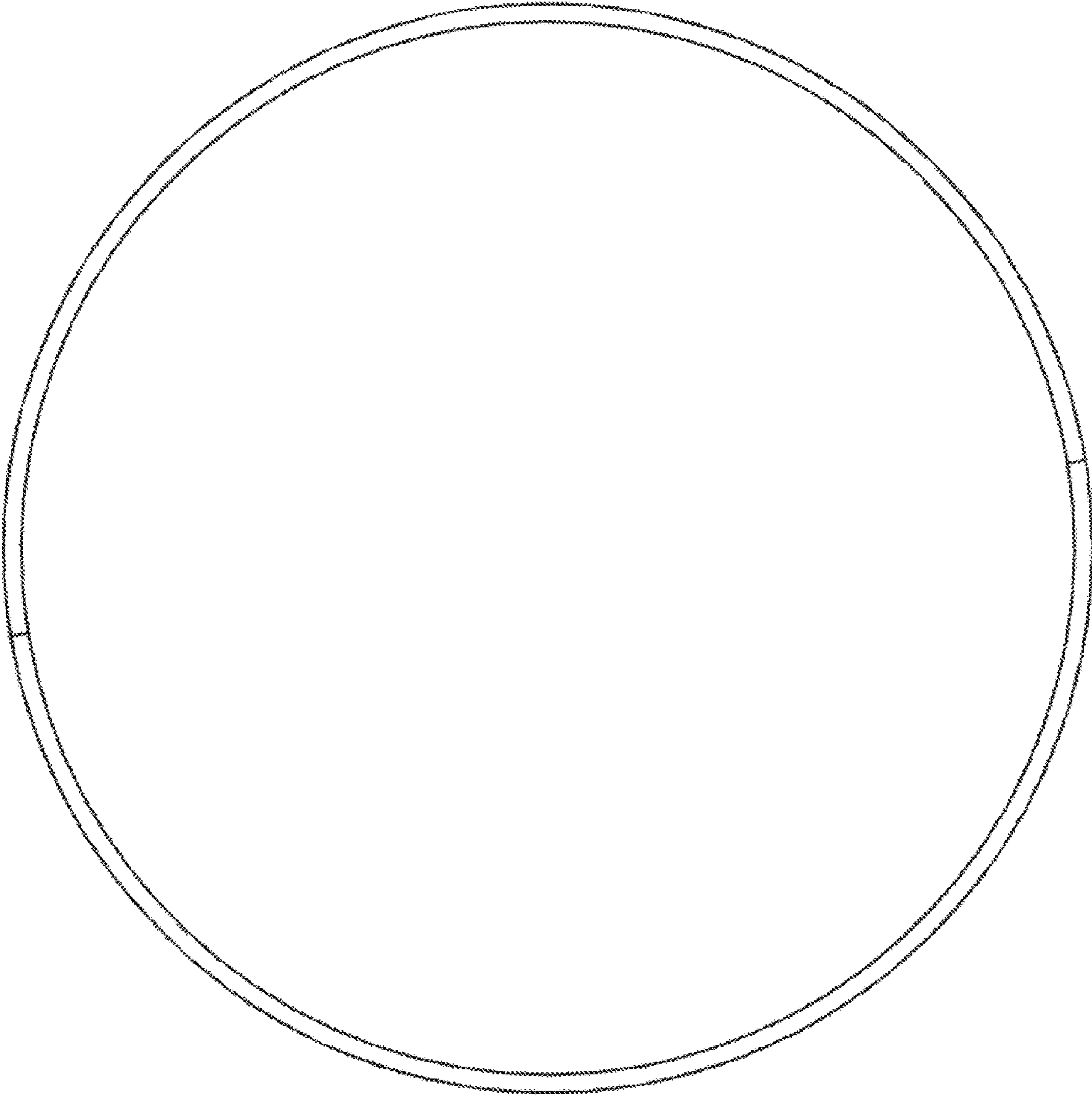


FIG. 7

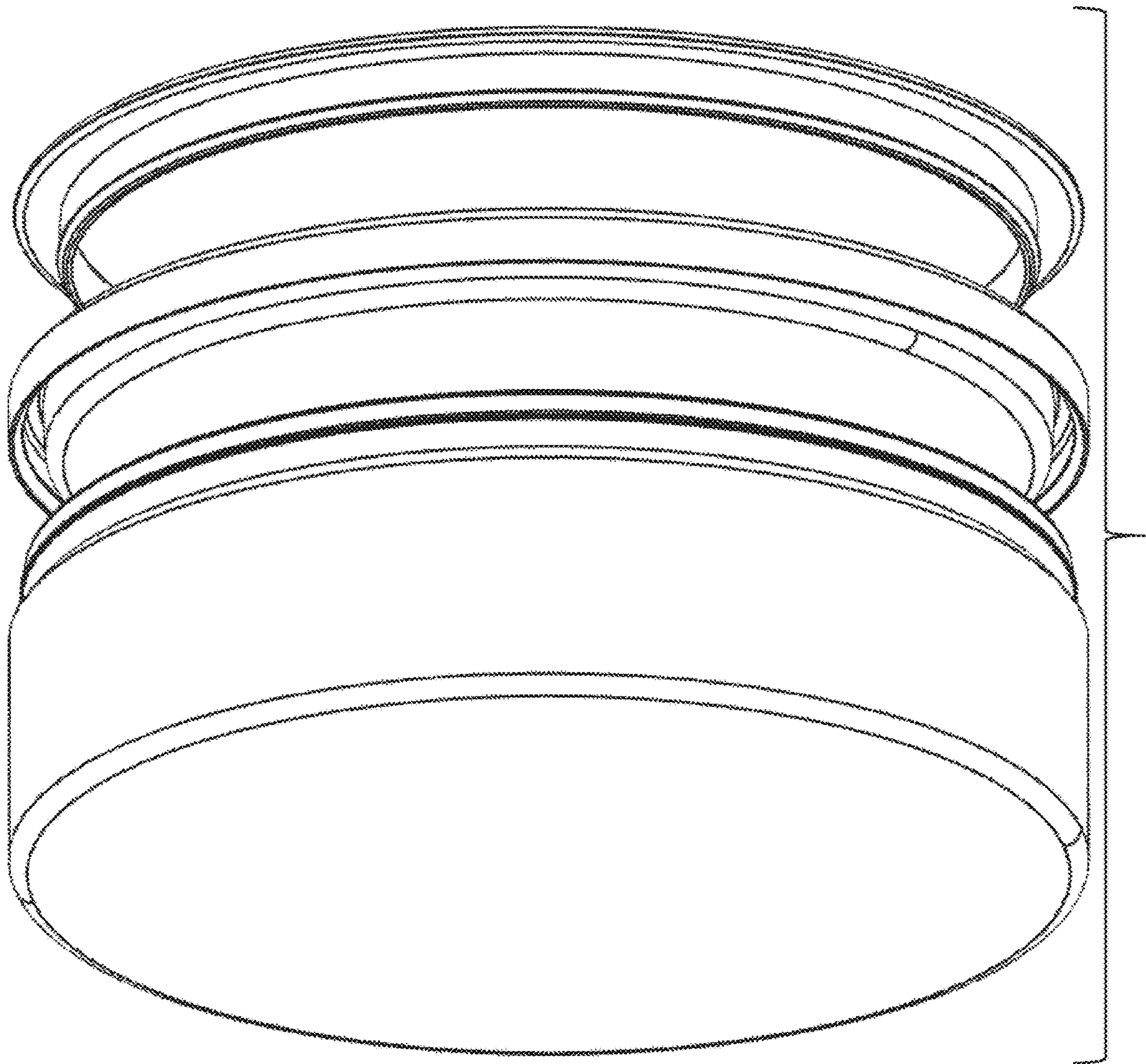


FIG. 8

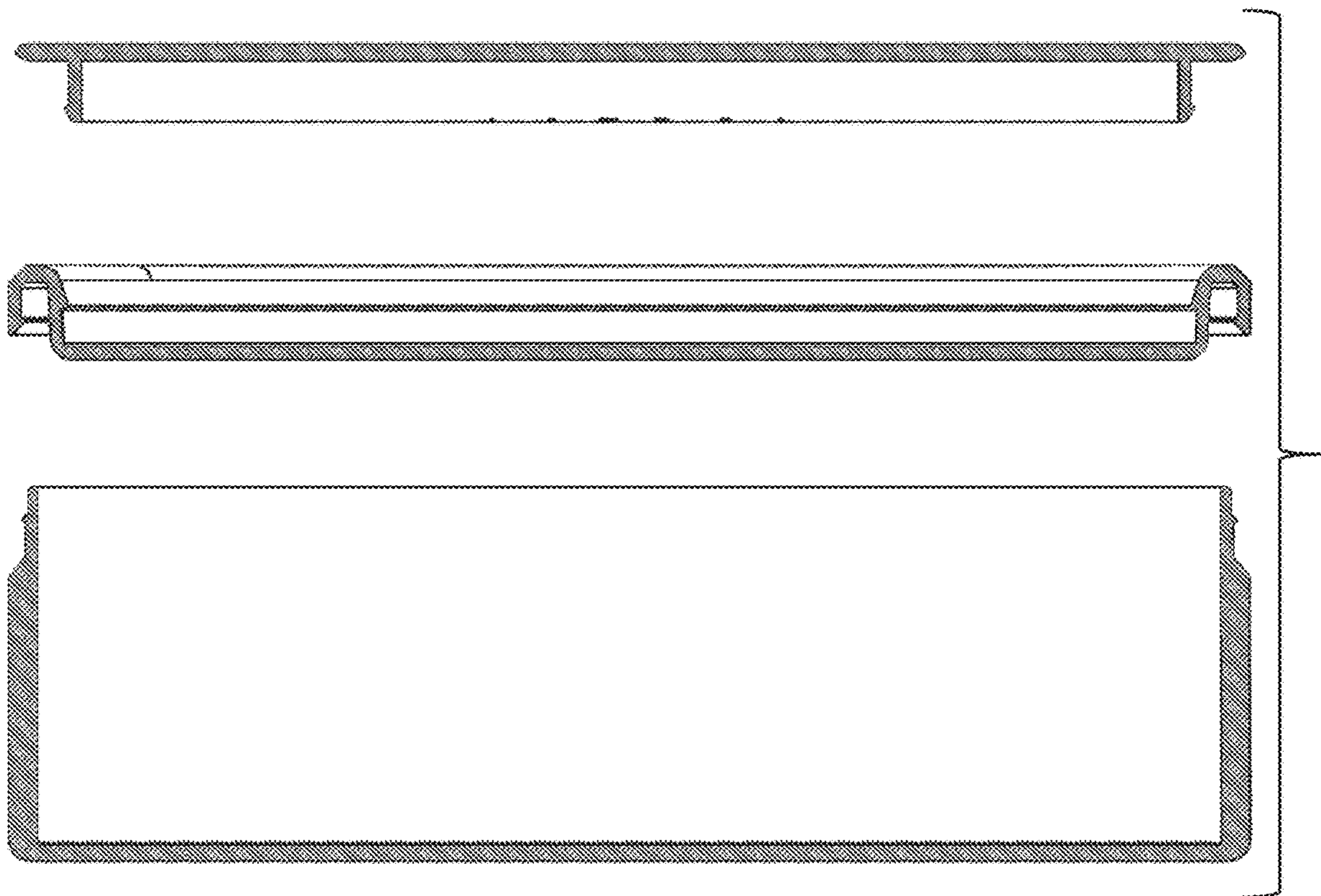


FIG. 9

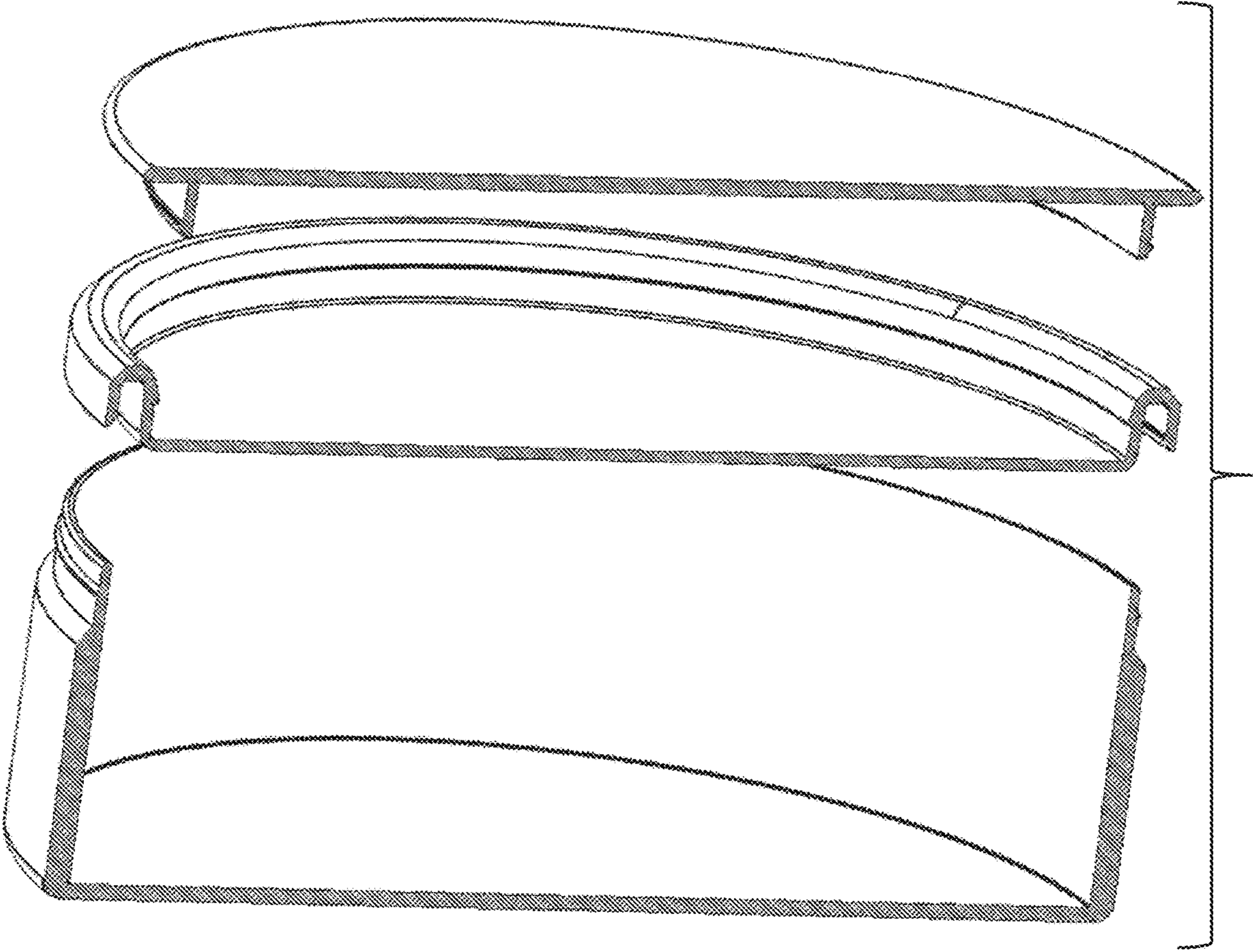


FIG. 10