



US00D933480S

(12) **United States Design Patent** (10) **Patent No.:** **US D933,480 S**
Aboabdo (45) **Date of Patent:** **** Oct. 19, 2021**

(54) **BOTTLE**
(71) Applicant: **Chubby Gorilla, Inc.**, Fullerton, CA (US)
(72) Inventor: **Ibrahiem H. Aboabdo**, Yorba Linda, CA (US)
(73) Assignee: **Chubby Gorilla, Inc.**, Fullerton, CA (US)

D321,643 S 11/1991 Katada
D321,645 S 11/1991 Katada
D590,661 S 4/2009 Kitamura
D612,240 S 3/2010 Cresswell
D633,800 S 3/2011 Haywood
D636,683 S 4/2011 Floyd
D679,960 S * 4/2013 Hopkins D7/629
D814,236 S 4/2018 Rolfson
D814,857 S 4/2018 Rolfson
D850,913 S 6/2019 Ke
(Continued)

(**) Term: **15 Years**
(21) Appl. No.: **29/765,552**
(22) Filed: **Jan. 8, 2021**

FOREIGN PATENT DOCUMENTS

WO WO D089824-0001 2/2016
Primary Examiner — Dana Meyrow
(74) *Attorney, Agent, or Firm* — Knobbe Martens Olson & Bear, LLP

Related U.S. Application Data

(62) Division of application No. 29/665,474, filed on Oct. 3, 2018, now Pat. No. Des. 907,501.
(51) **LOC (13) Cl.** **09-01**
(52) **U.S. Cl.**
USPC **D9/503**; D9/443; D9/452; D9/454
(58) **Field of Classification Search**
USPC D9/414, 434–435, 443, 444–445, 452, D9/454, 500, 503–504, 516, 520, 529, D9/549, 558, 682, 690–691, 715, 719, D9/723–724; D3/203.2; D27/183, 186, D27/189–191; D28/76; D7/608, D7/629–630, 679
CPC B65D 1/00; B65D 1/02; B65D 1/0223; B65D 23/00; B65D 51/32; B65D 2501/00; B65D 2501/0009
See application file for complete search history.

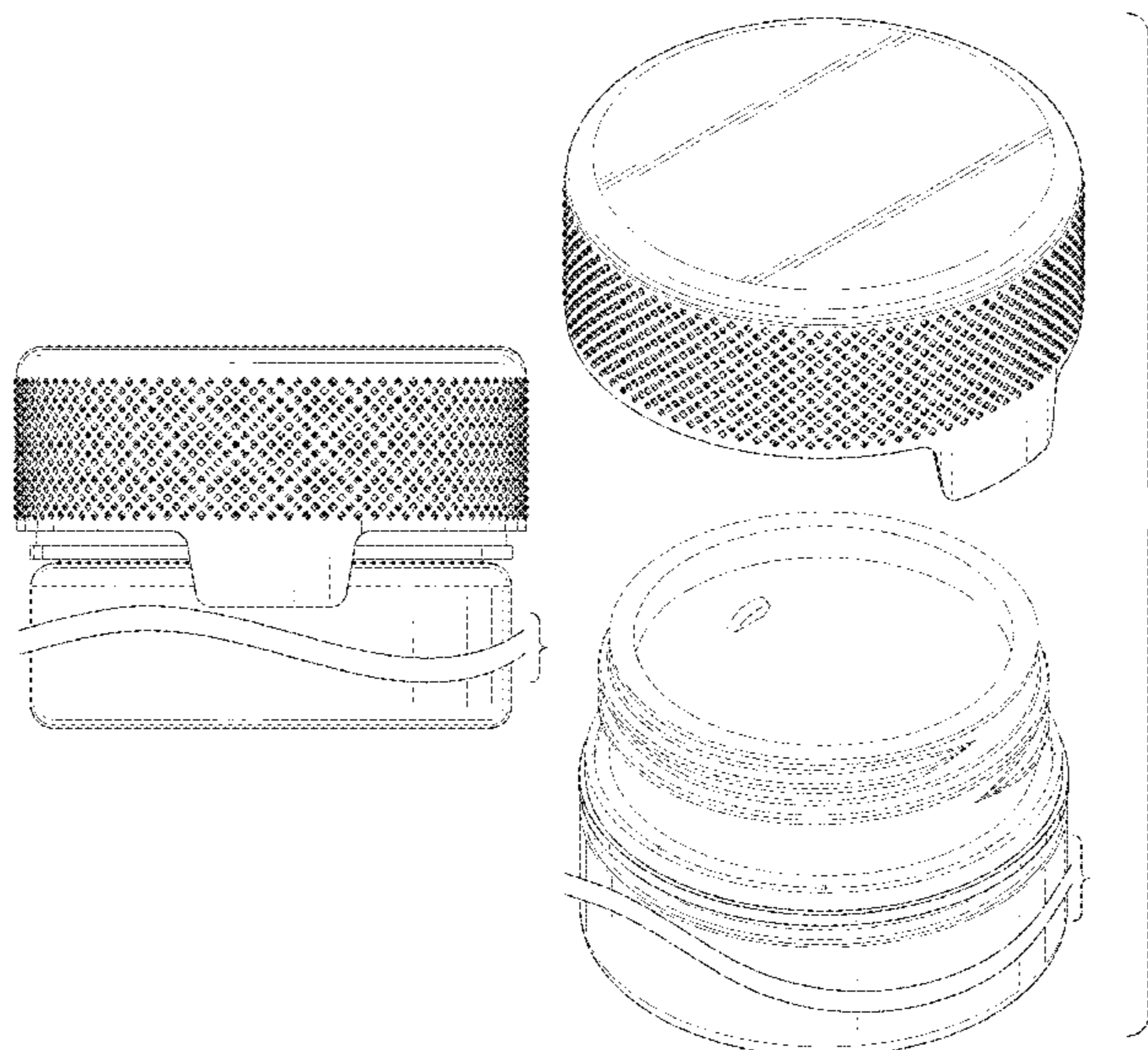
(57) **CLAIM**
The ornamental design for bottle, as shown and described herein.

DESCRIPTION

FIG. 1 is a top perspective view of a bottle embodying the new design.
FIG. 2 is a bottom perspective view thereof.
FIG. 3 is a front view thereof.
FIG. 4 is a rear view thereof.
FIG. 5 is a first side view thereof.
FIG. 6 is a second side view thereof.
FIG. 7 is a top view thereof.
FIG. 8 is a bottom view thereof.
FIG. 9 is an exploded perspective view thereof; and, FIG. 10 is an exploded front view thereof.
The bottle is shown with a symbolic break in its length represented by break lines. Any portion of the article between the break lines forms no part of the claimed subject matter. The broken lines in the drawings illustrate the portions of the bottle that form no part of the claimed design.

(56) **References Cited**
U.S. PATENT DOCUMENTS
3,847,494 A 11/1974 Franklin
4,221,495 A 9/1980 Braun
D274,848 S 7/1984 Chevassus

1 Claim, 10 Drawing Sheets



(56)

References Cited

U.S. PATENT DOCUMENTS

| | | | |
|--------------|--------|---------|--------------|
| D873,147 S | 1/2020 | Aboabdo | |
| D886,610 S * | 6/2020 | Aboabdo | D9/503 |
| D892,623 S | 8/2020 | Aboabdo | |
| D893,300 S | 8/2020 | Aboabdo | |
| D894,004 S | 8/2020 | Aboabdo | |
| D907,501 S * | 1/2021 | Aboabdo | D9/503 |
| D908,500 S * | 1/2021 | Aboabdo | D9/503 |
| D914,501 S * | 3/2021 | Aboabdo | D9/503 |
| D914,502 S * | 3/2021 | Aboabdo | D9/503 |
| D914,503 S * | 3/2021 | Aboabdo | D9/503 |

* cited by examiner

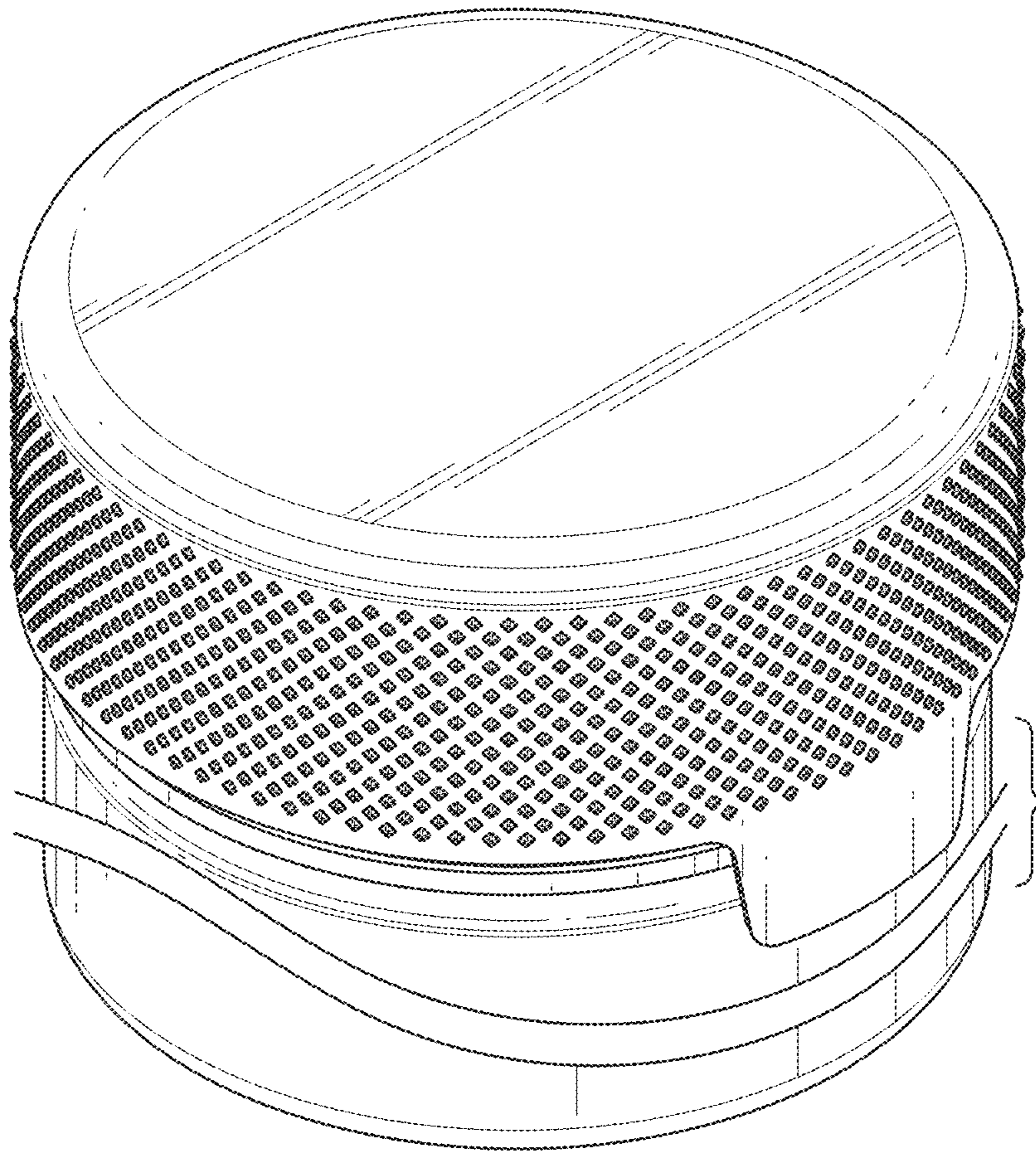


FIG. 1

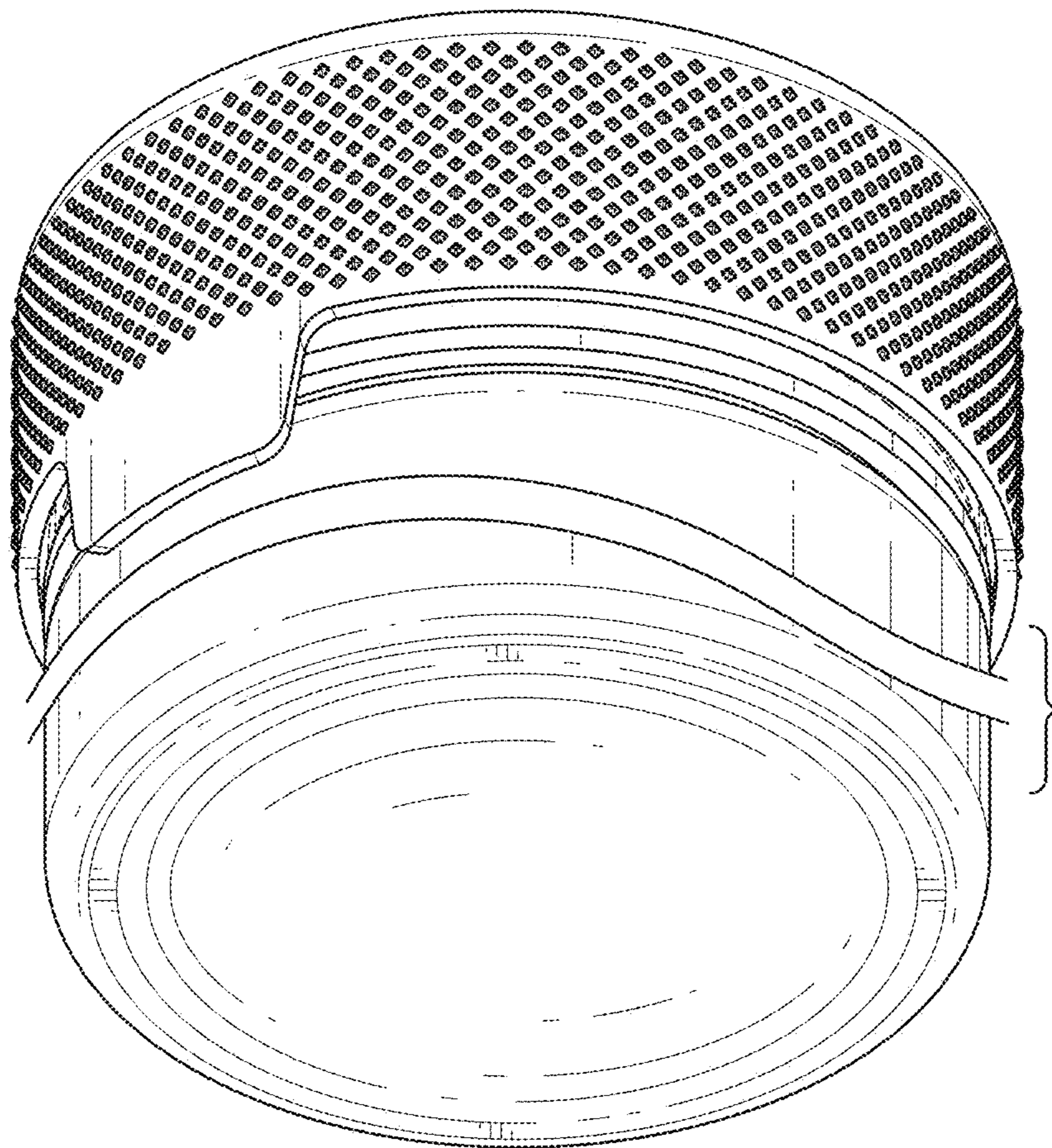


FIG. 2

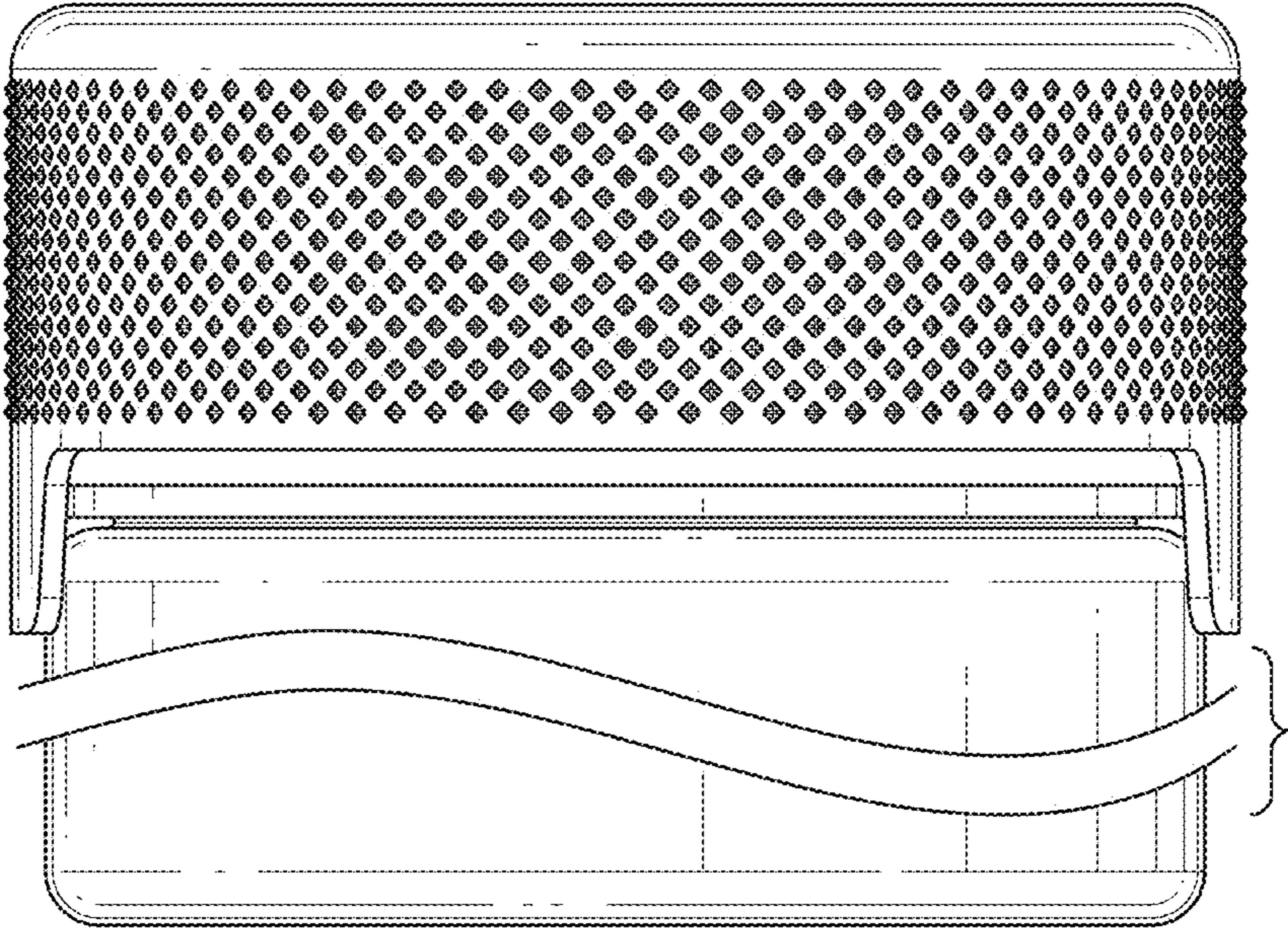


FIG. 3

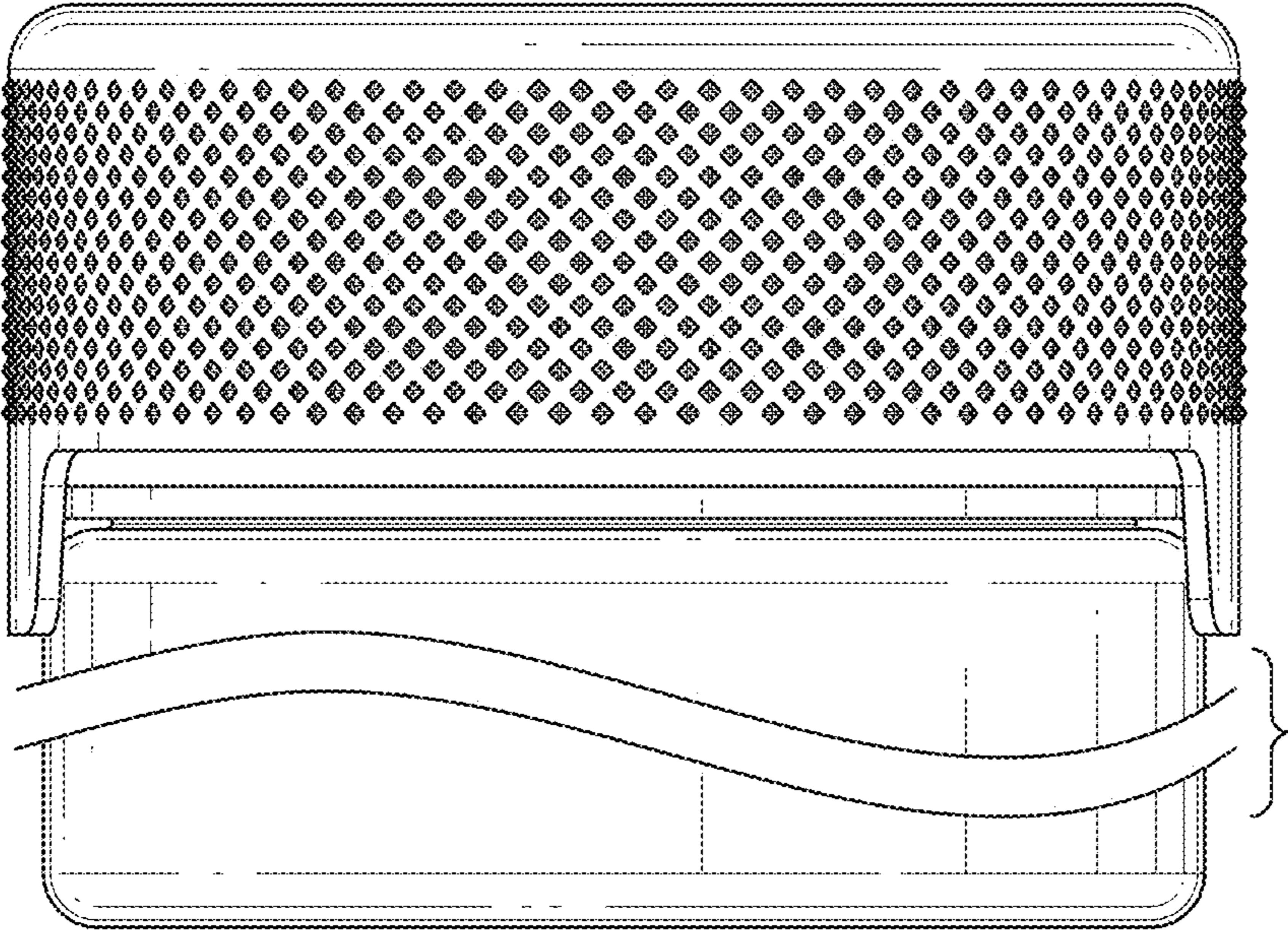


FIG. 4

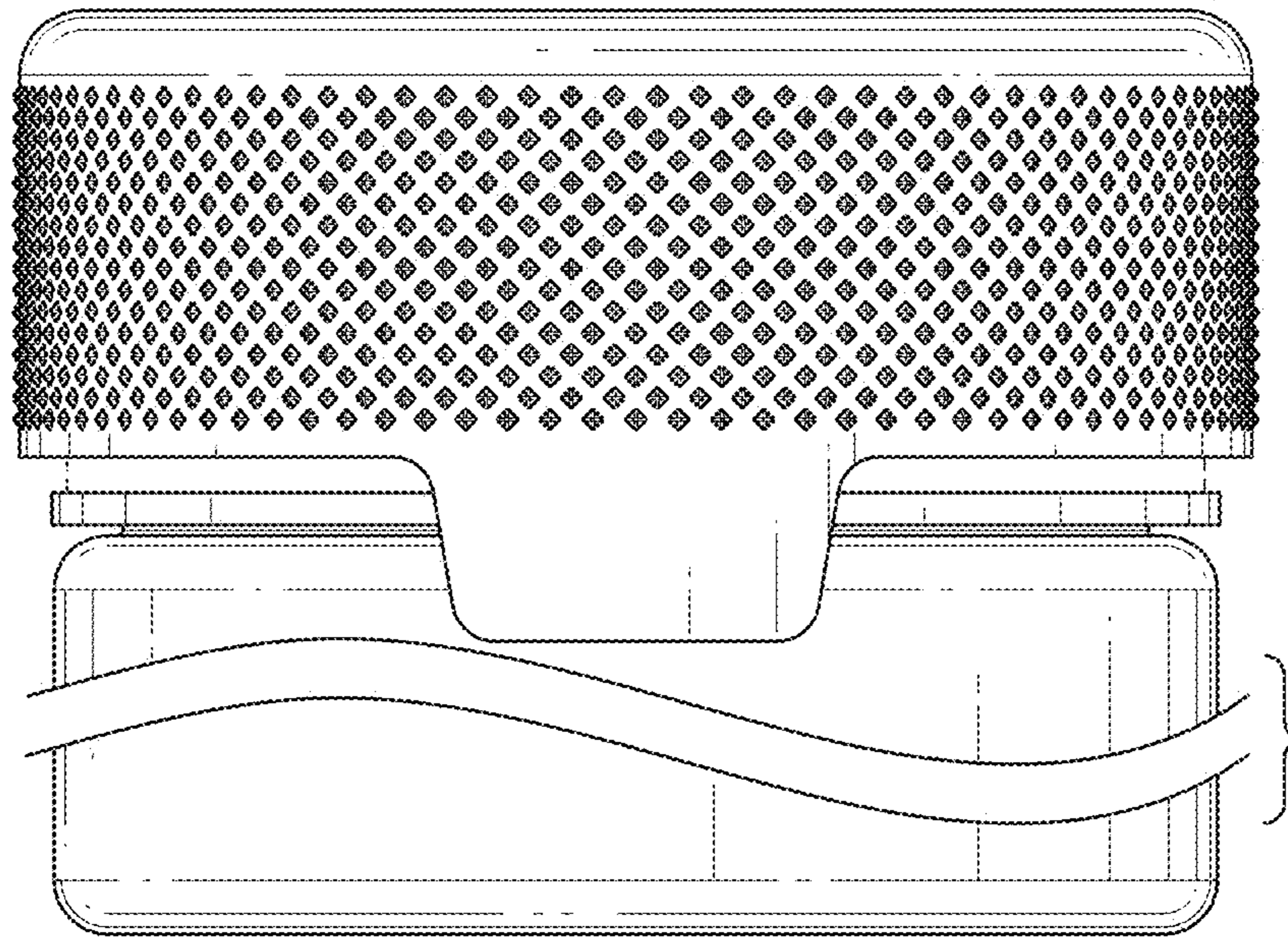


FIG. 5

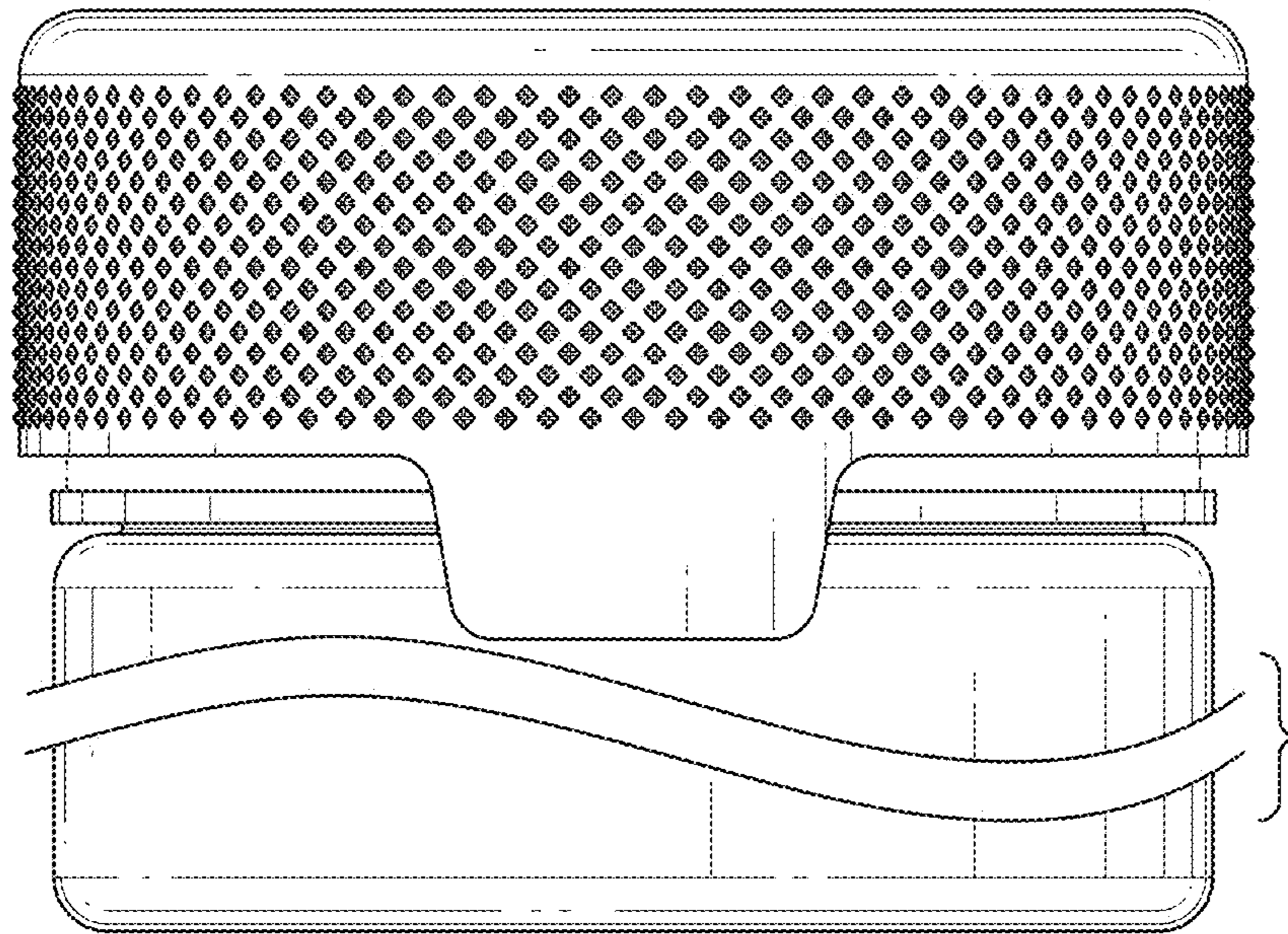


FIG. 6

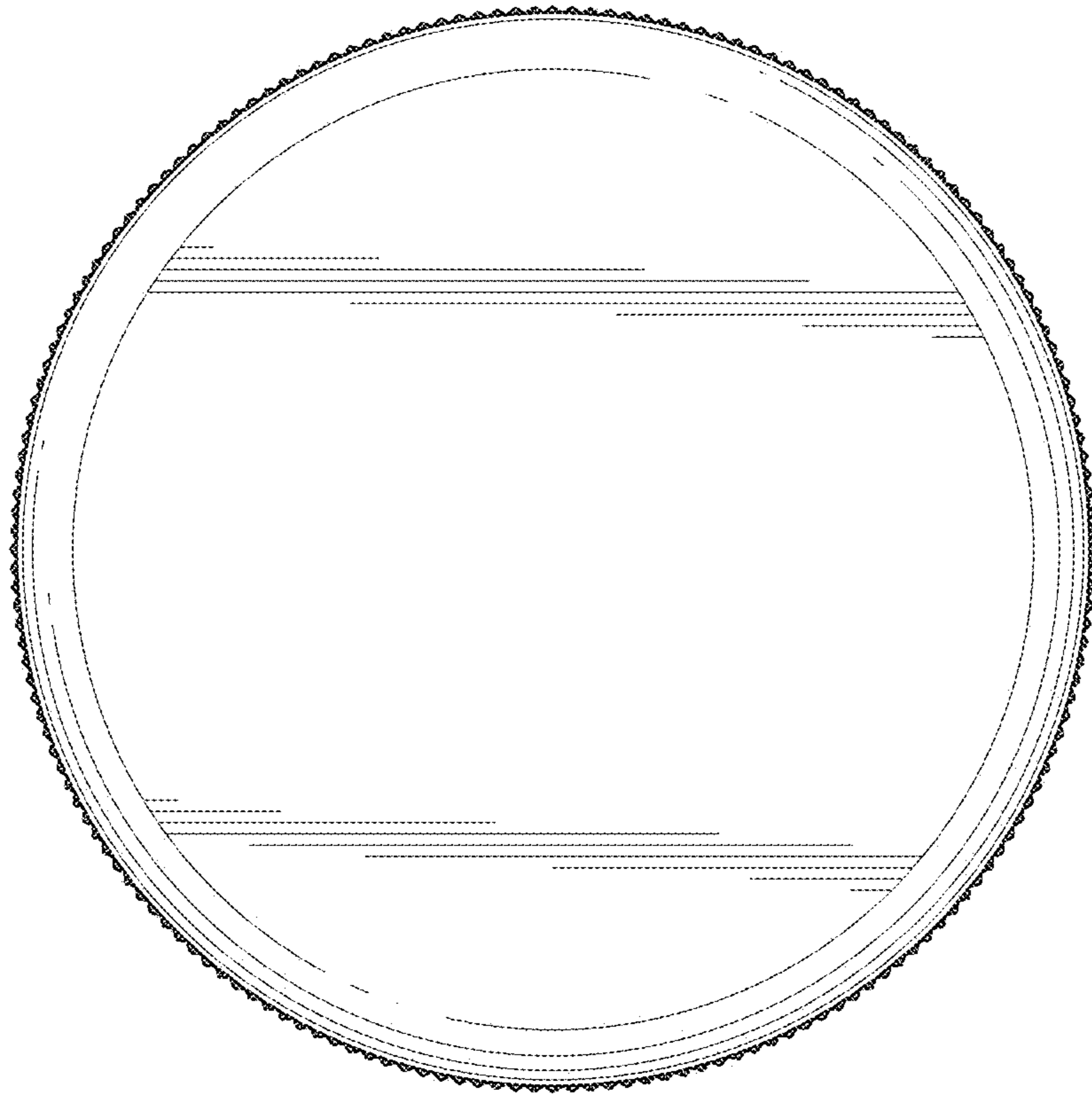


FIG. 7

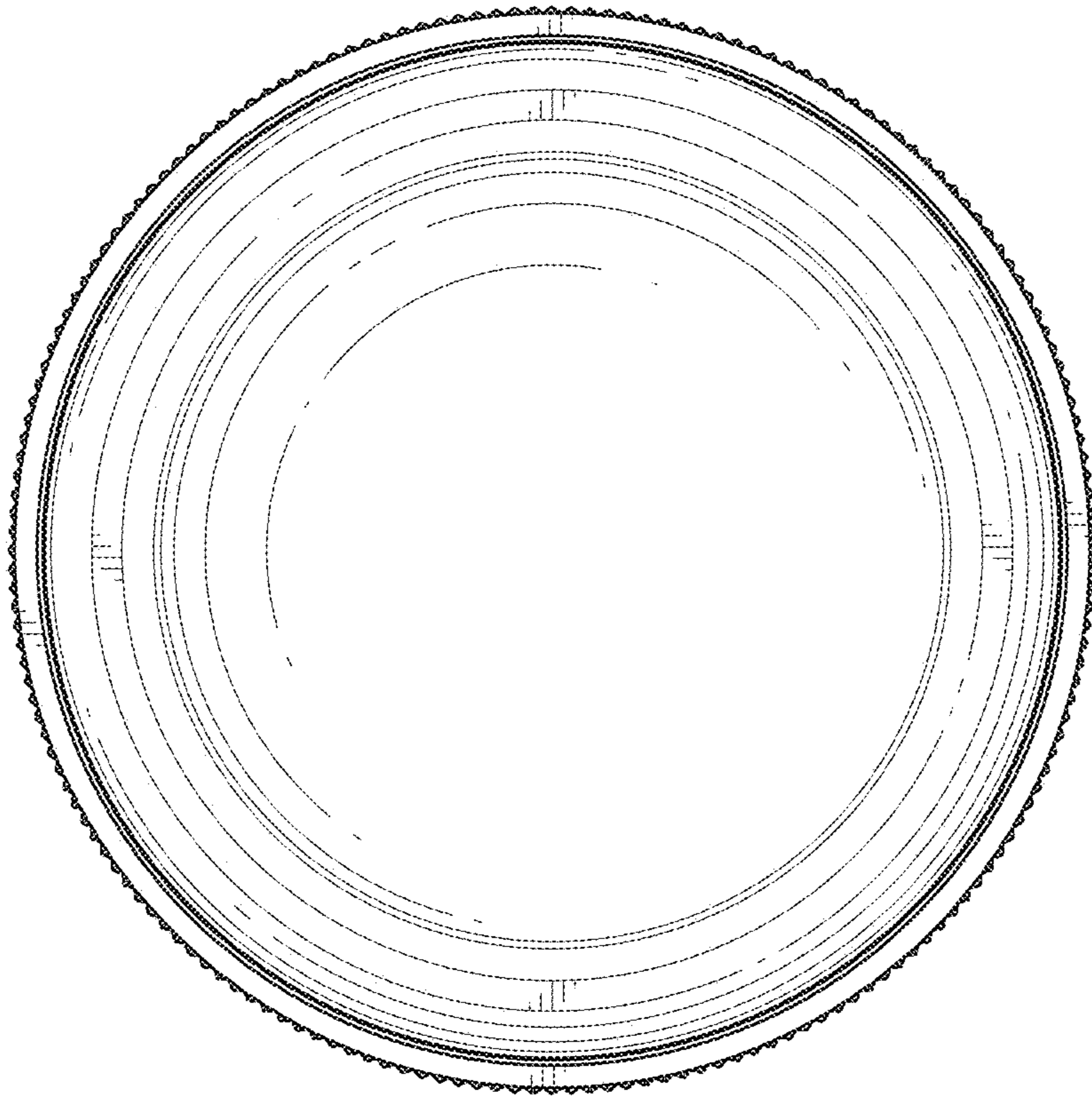


FIG. 8

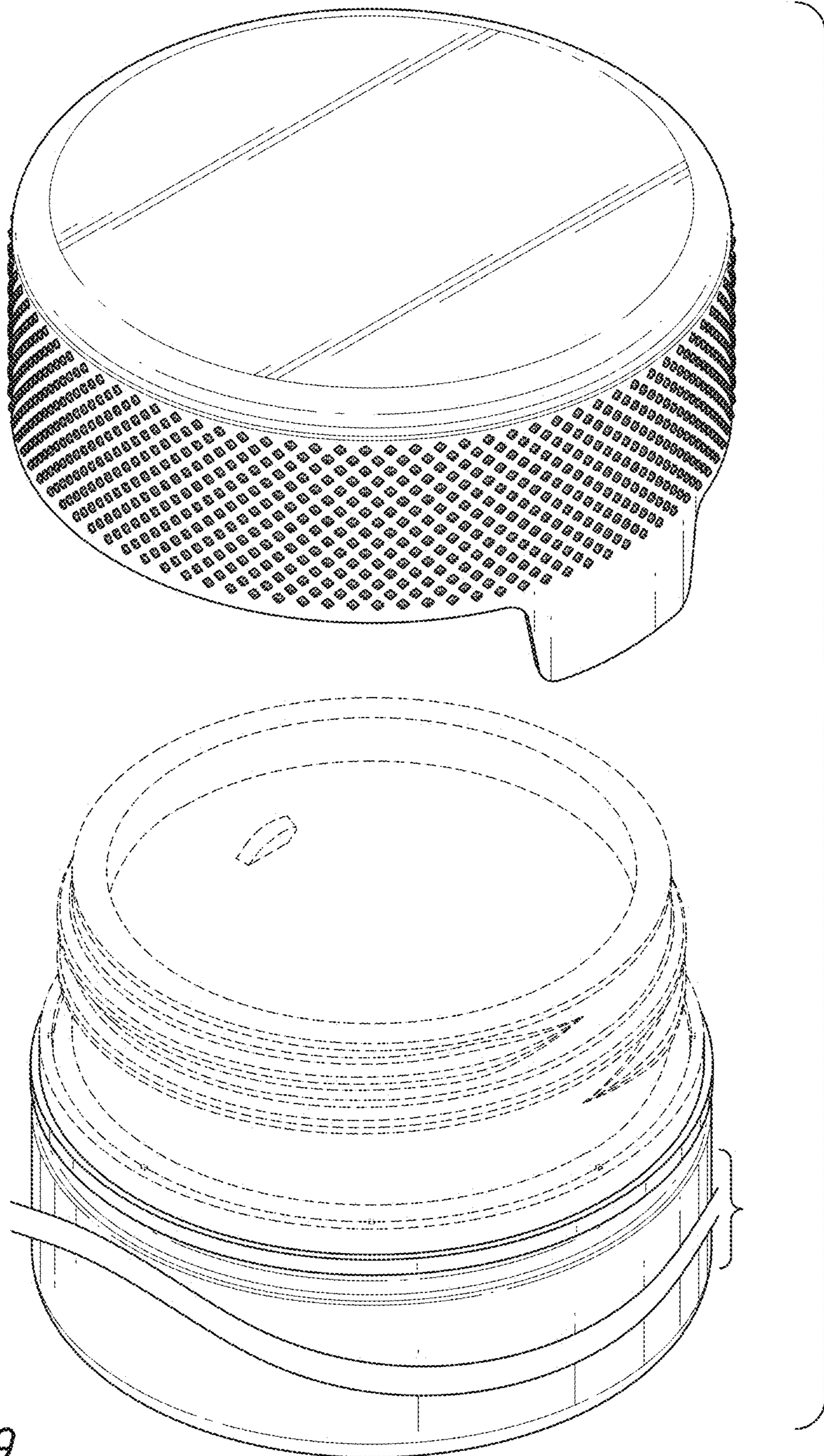


FIG. 9

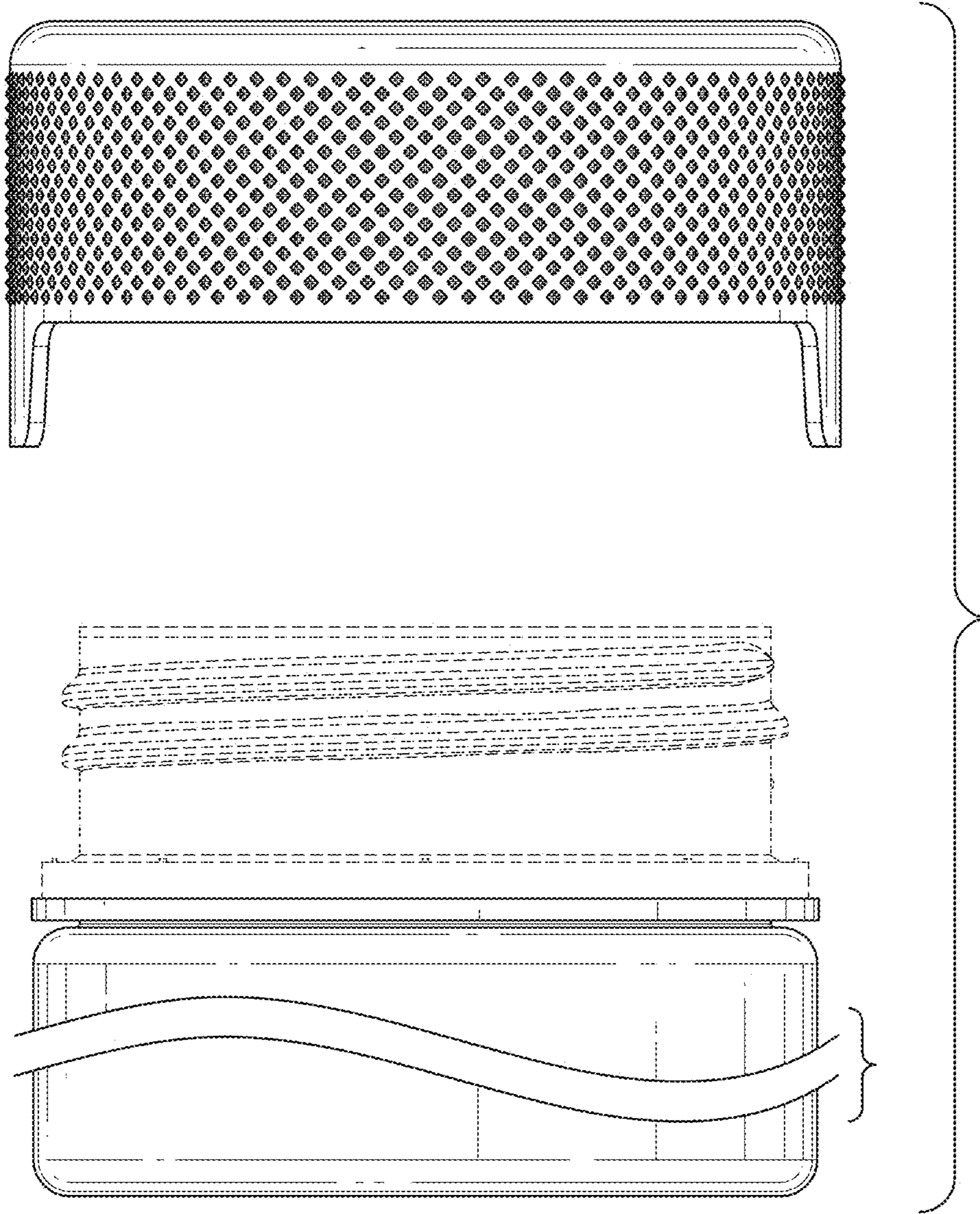


FIG. 10