



US00D933479S

(12) **United States Design Patent** (10) **Patent No.:** **US D933,479 S**
Berroa García (45) **Date of Patent:** **** Oct. 19, 2021**

(54) **BOTTLE CAP**
(71) Applicant: **BETAPACK, S.A.U.**, Guipúzcoa (ES)
(72) Inventor: **Francisco Javier Berroa García**, Irun (ES)
(73) Assignee: **BETAPACK, S.A.U.**, Irun (ES)
(**) Term: **15 Years**
(21) Appl. No.: **29/720,102**
(22) Filed: **Jan. 9, 2020**
(30) **Foreign Application Priority Data**
Jul. 9, 2019 (EM) 006619201-1
(51) **LOC (13) Cl.** **09-07**
(52) **U.S. Cl.**
USPC **D9/449**
(58) **Field of Classification Search**
USPC D9/434, 435, 439, 440, 442-450,
D9/452-457, 499, 503-505, 682, 685,
D9/686; D7/387, 391, 392, 392.1, 396.1,
D7/396.2, 507, 509-511, 538, 900;
D3/202, 203.2, 294, 318; D28/91, 91.1
CPC .. A61J 1/00; A61J 1/1412; B65D 1/00; B65D
1/02; B65D 1/10; B65D 1/46; B65D
5/46; B65D 41/00; B65D 41/38; B65D
41/56; B65D 41/62; B65D 47/00; B65D
47/06; B65D 47/08; B65D 2251/00;
B65D 2543/00046; B65D 2543/00092;
B65D 2543/00296
See application file for complete search history.

(56) **References Cited**
U.S. PATENT DOCUMENTS
D306,265 S * 2/1990 Leebeek D9/435
D350,482 S * 9/1994 Hu D9/447

D584,618 S * 1/2009 Schwartz D9/449
D607,269 S * 1/2010 Andersson D7/392.1
D608,199 S * 1/2010 Gross D9/449
D610,454 S * 2/2010 Lohrman D9/449
D640,134 S * 6/2011 Rognard D9/449
D672,651 S * 12/2012 Gregory D9/449
D672,652 S * 12/2012 Antier D9/449
D672,653 S * 12/2012 Antier D9/449
D673,044 S * 12/2012 Wisniewski D9/449
D747,201 S * 1/2016 Pellerin D9/449
D784,808 S * 4/2017 Berroa Garcia D9/435
9,884,706 B1 * 2/2018 Skillin B65D 47/18
D833,278 S * 11/2018 Pellerin D9/449
D837,650 S * 1/2019 Rognard D9/449
D864,719 S * 10/2019 Berroa Garcia D9/449
D877,616 S * 3/2020 Berroa Garcia D9/449
D885,895 S * 6/2020 Berroa Garcia D9/449
D896,570 S * 9/2020 Berroa Garcia D7/392.1
2011/0068079 A1 * 3/2011 Luzatto B65D 41/185
215/253
2015/0048124 A1 * 2/2015 Wisniewski B65D 47/0809
222/478

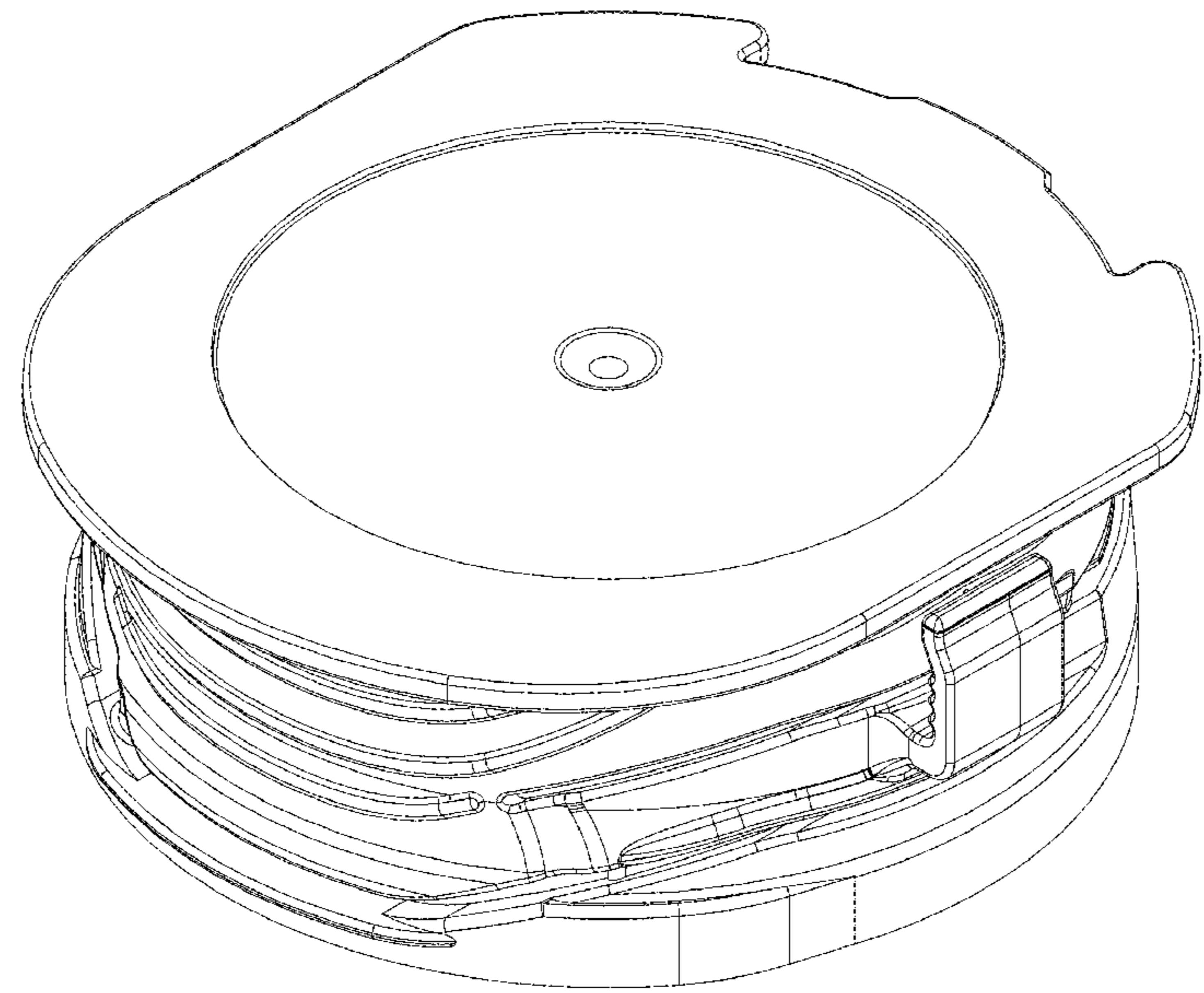
(Continued)

Primary Examiner — Wendy L Arminio
(74) *Attorney, Agent, or Firm* — Maschoff Brennan

(57) **CLAIM**
The ornamental design for a bottle cap, as shown and described.

DESCRIPTION
FIG. 1 is a perspective view of a bottle cap according to the design;
FIG. 2 is a front view thereof;
FIG. 3 is a top view thereof;
FIG. 4 is a left-side view thereof;
FIG. 5 is a rear view thereof; and,
FIG. 6 is a right-side view thereof.
The broken lines depict portions of the bottle cap that form no part of the claimed design.

1 Claim, 6 Drawing Sheets



(56)

References Cited

U.S. PATENT DOCUMENTS

2015/0090743 A1* 4/2015 Wisniewski B67D 3/0051
222/478
2018/0086510 A1* 3/2018 Berroa Garcia B65D 41/46
2019/0231984 A1* 8/2019 Mahmoodian A61M 5/3134
2020/0180819 A1* 6/2020 Berroa Garcia ... B65D 47/0838

* cited by examiner

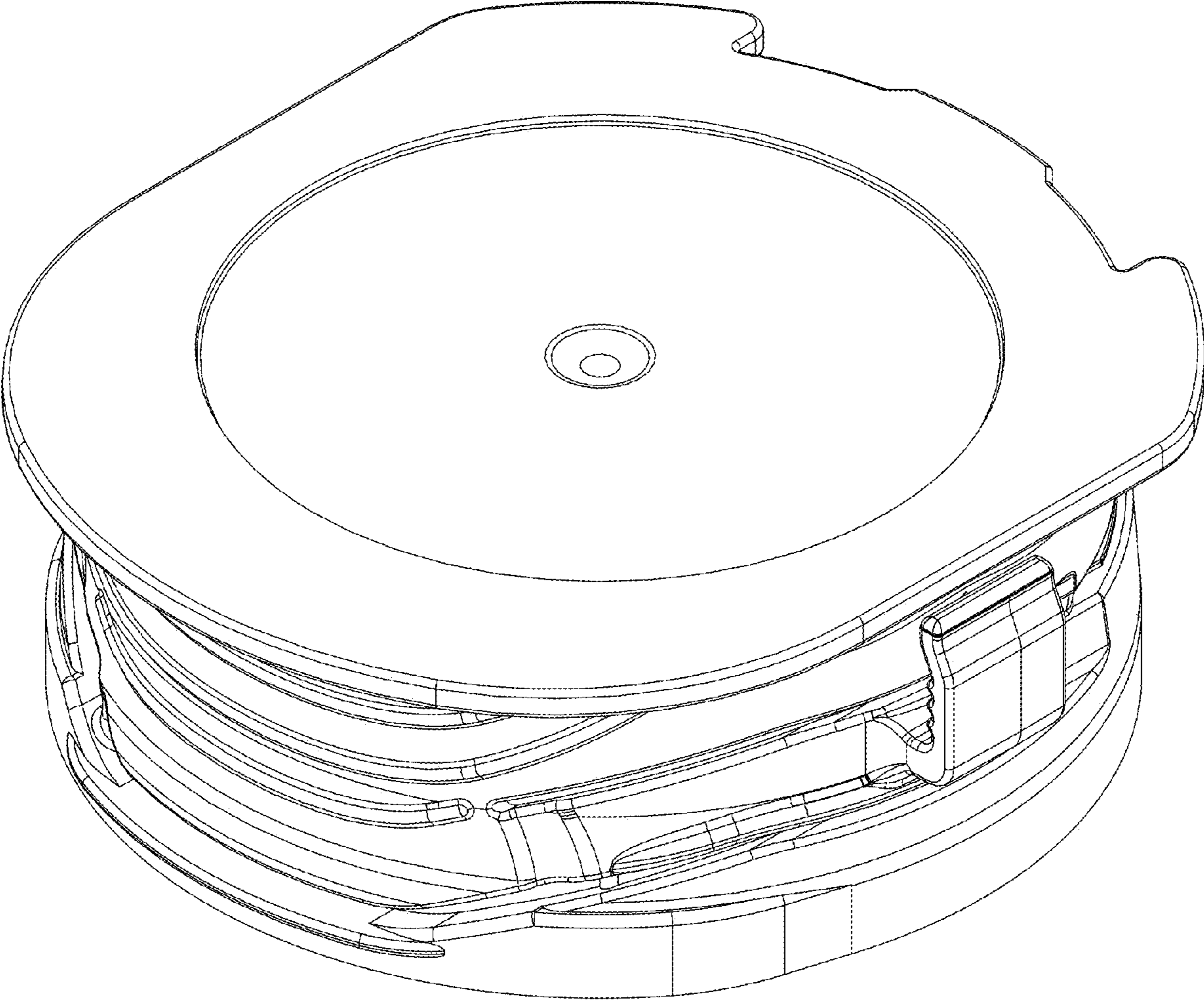


Fig. 1

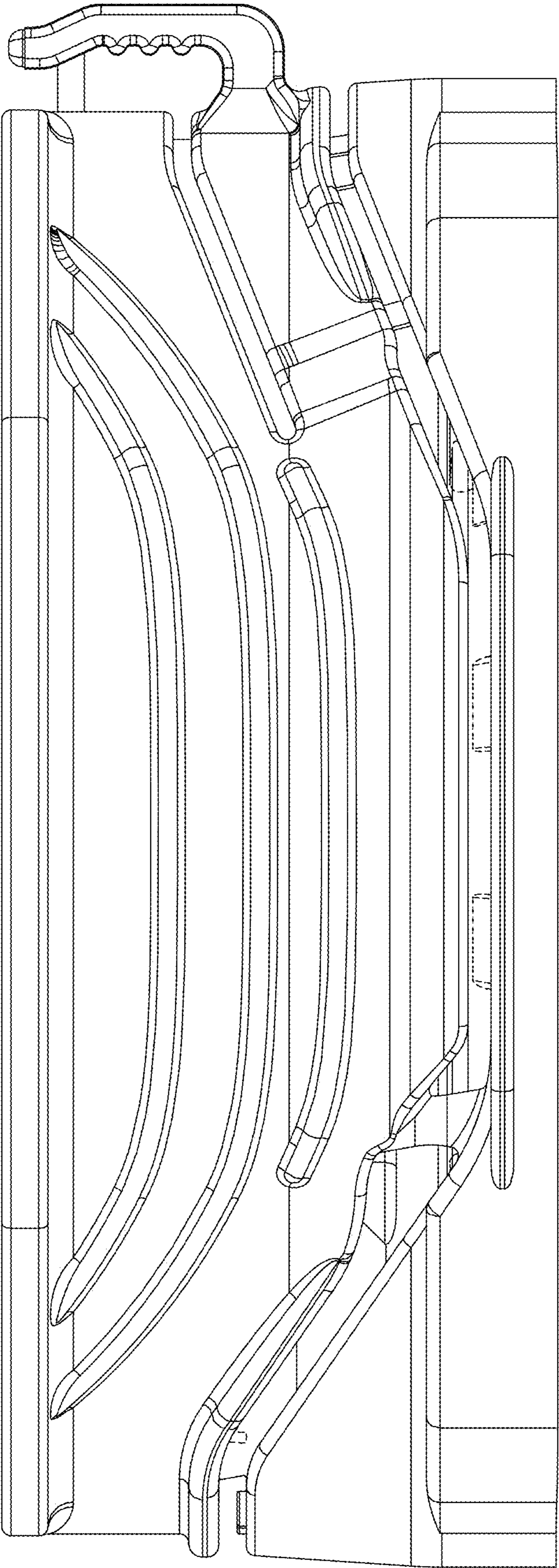


Fig. 2

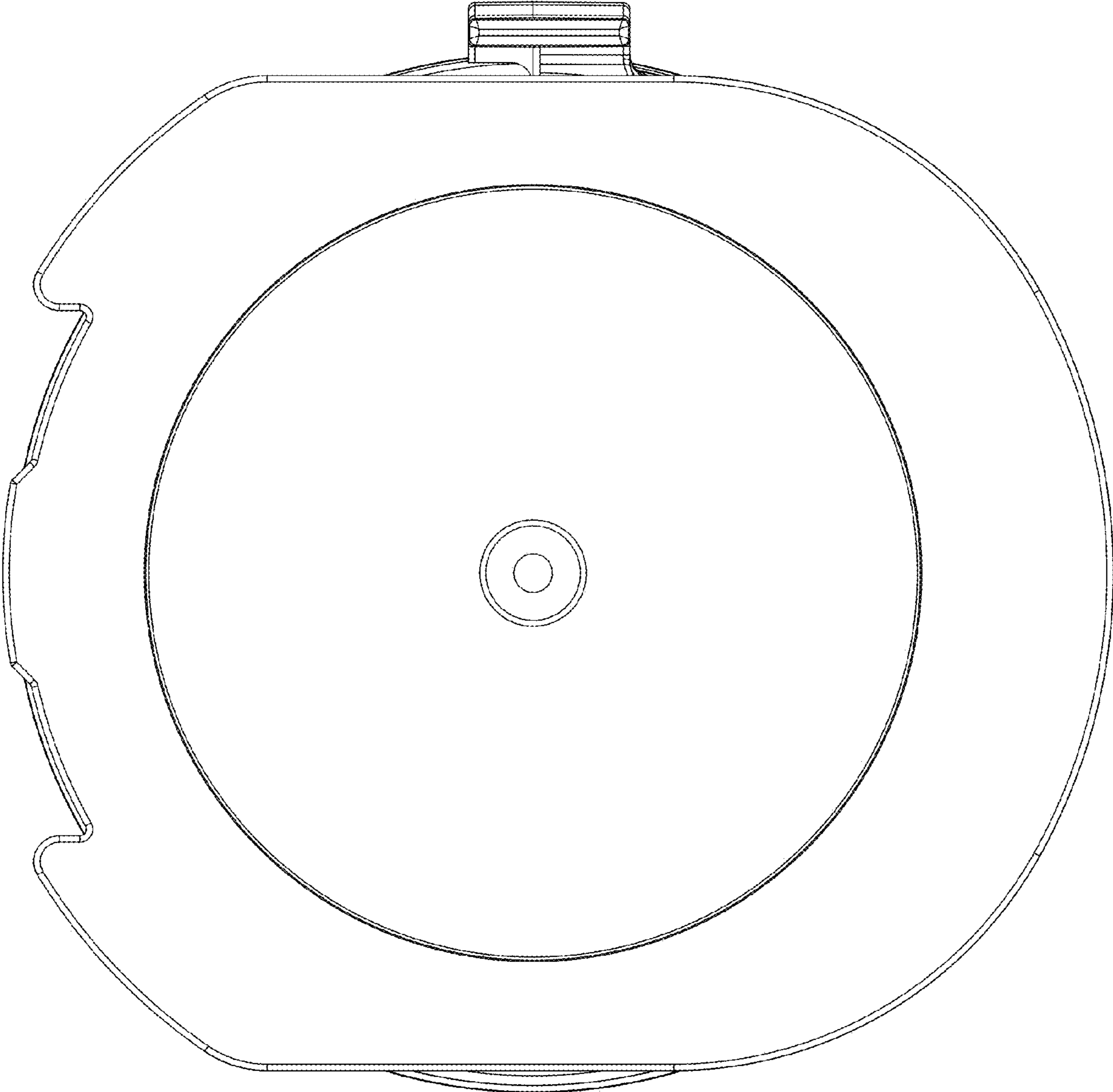


Fig. 3

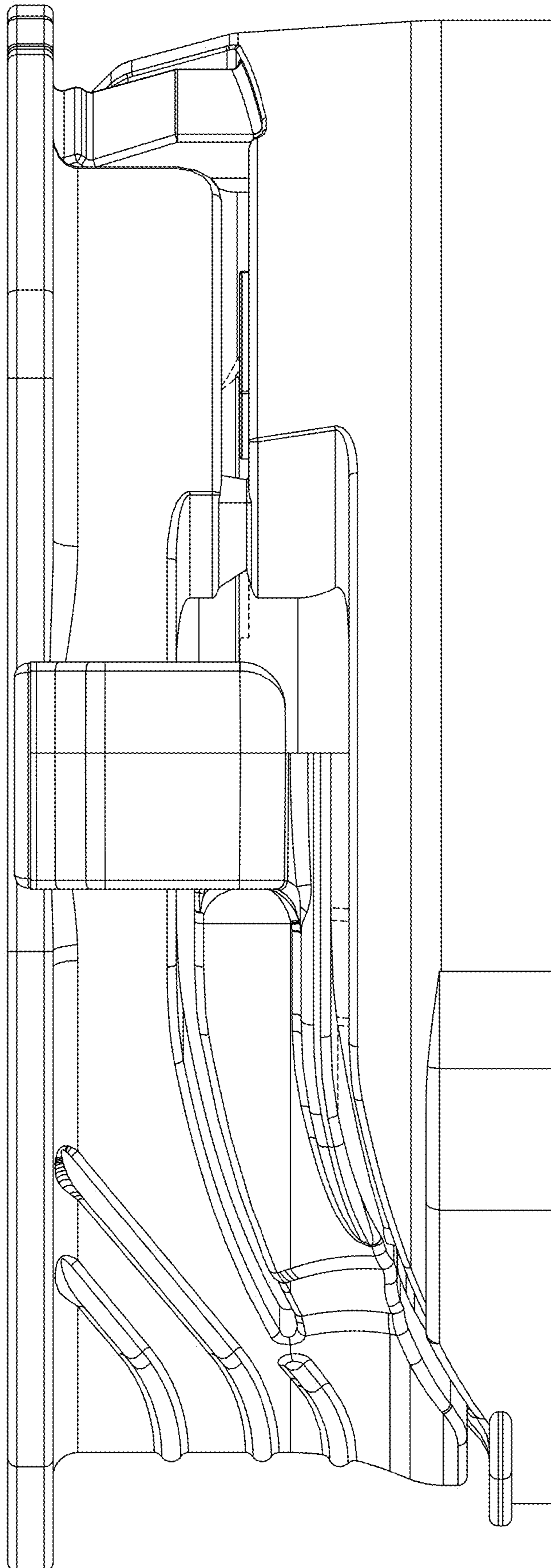


Fig. 4

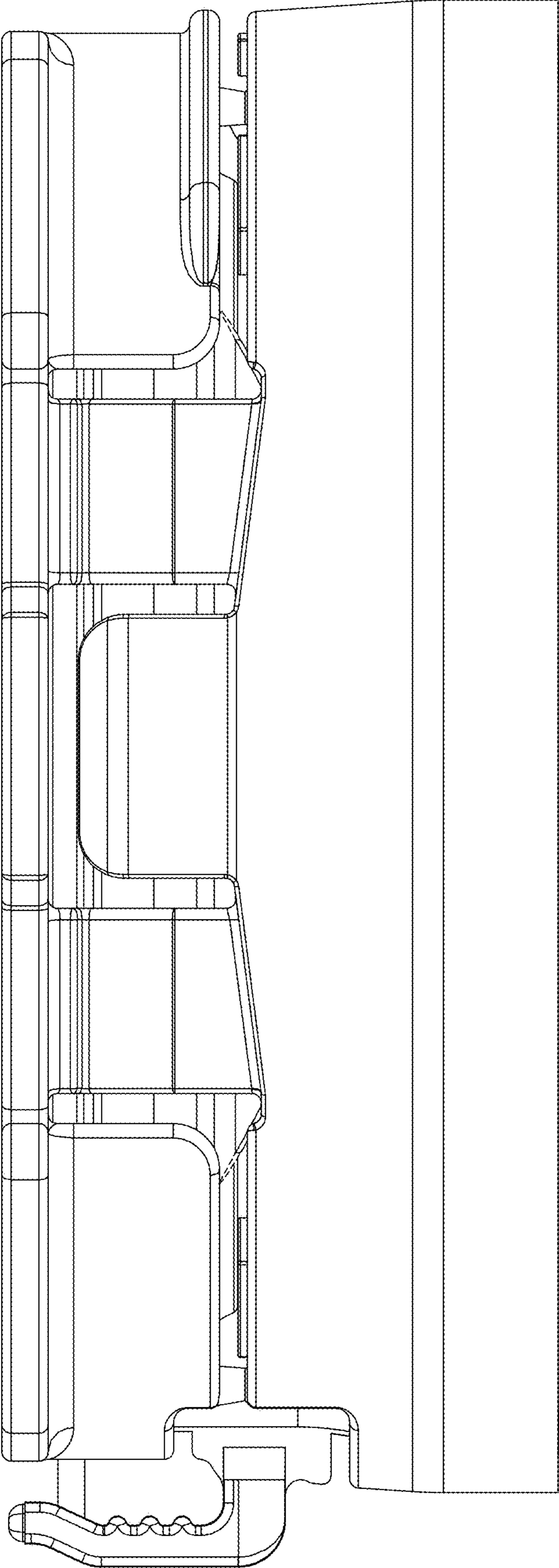


Fig. 5

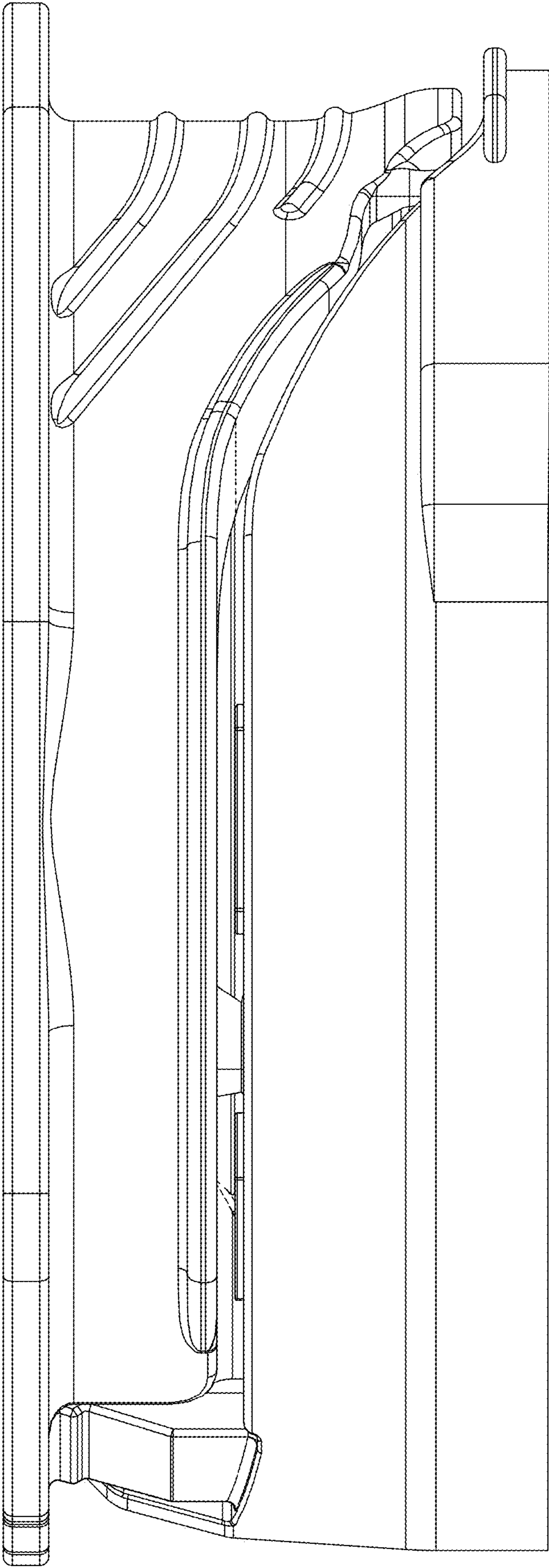


Fig. 6