



US00D933477S

(12) **United States Design Patent**
Glaser

(10) **Patent No.:** **US D933,477 S**

(45) **Date of Patent:** **** Oct. 19, 2021**

(54) **BOTTLE CAP WITH SOUND GENERATOR**

(71) Applicant: **Bencoo, Inc.**, Chino, CA (US)

(72) Inventor: **Jennifer Glaser**, Pasadena, CA (US)

(**) Term: **15 Years**

(21) Appl. No.: **29/726,953**

(22) Filed: **Mar. 6, 2020**

(51) **LOC (13) Cl.** **09-07**

(52) **U.S. Cl.**

USPC **D9/439**; D9/436

(58) **Field of Classification Search**

USPC D7/392.1, 396.2; D9/434-436, 499, 439,
D9/454, 440, 447; D28/7, 73, 76, 82-85,
D28/99

CPC .. B65D 39/00; B65D 39/0005; B65D 51/248;
B65D 1/02; B65D 41/04

See application file for complete search history.

(56) **References Cited**

U.S. PATENT DOCUMENTS

D53,746 S *	8/1919	Moore	D9/439
D179,331 S *	11/1956	Terwilliger	D9/439
D199,440 S *	10/1964	Jones	D19/62
D241,018 S *	8/1976	Amicis	D9/439
D256,439 S *	8/1980	Plummer	D9/439
D497,282 S *	10/2004	Kelly	D7/300.1
D562,626 S *	2/2008	Freeman	D7/387
D645,346 S *	9/2011	Liebowitz	D9/435
D662,413 S *	6/2012	Jozwiak	D9/434
D708,945 S *	7/2014	Jetmar	D9/439
D896,025 S *	9/2020	Moulder	D7/396.2
D926,528 S *	8/2021	Brown	D7/554.2
2011/0147335 A1 *	6/2011	Garcia	B65D 39/0052 215/230
2015/0329262 A1 *	11/2015	Barbour, Jr.	B65D 51/1644 206/524.8

OTHER PUBLICATIONS

Target. OXO 2pk Bottle Stopper Set. 2019. <https://www.target.com/p/oxo-2pk-bottle-stopper-set/-/A-53257627> (Year: 2019).*

(Continued)

Primary Examiner — Darcey E Gottschalk

(74) *Attorney, Agent, or Firm* — Tommy S F Wang;
Wang IP Law Group, P.C.

(57) **CLAIM**

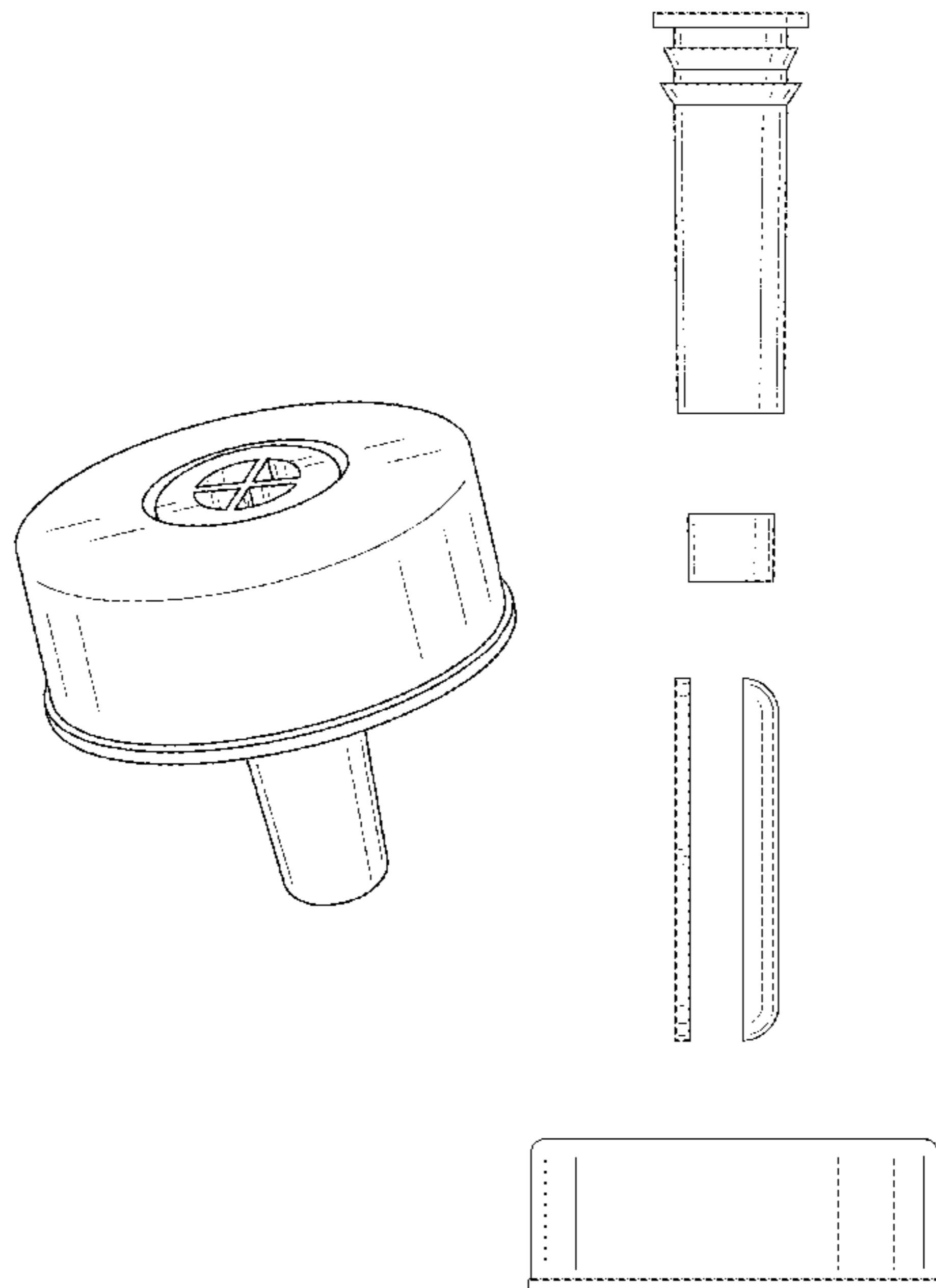
The ornamental design for a bottle cap with a sound generator, as shown and described.

DESCRIPTION

FIG. 1 is a perspective view of a bottle cap with a sound generator showing my new design;
 FIG. 2 is another perspective view thereof;
 FIG. 3 is a front view thereof;
 FIG. 4 is a rear view thereof;
 FIG. 5 is a left side view thereof;
 FIG. 6 is a right side view thereof;
 FIG. 7 is a top view thereof;
 FIG. 8 is a bottom view thereof;
 FIG. 9 is another front view showing the bottle cap with the sound generator coupled to a bottle;
 FIG. 10 is the other perspective view showing the bottle cap with the sound generator coupled to another squashed bottle;
 FIG. 11 is an exploded view thereof;
 FIG. 12 is another exploded view thereof; and,
 FIG. 13 is a cross-sectional view thereof taken along the line 13-13 of FIG. 6.

The broken lines in FIGS, 1, 8 and 13 are for the purpose of illustrating portions of the bottle cap with the sound generator that form no part of the claimed design. The broken lines of the bottle in FIGS. 9-10 illustrate unclaimed environment and forms no part of the claimed design.

1 Claim, 10 Drawing Sheets



(56)

References Cited

OTHER PUBLICATIONS

AliExpress. 6 Colors Bottle Stopper Bottle Caps Wine Stopper Family Bar Preservation Tools Silicone Creative Design Safe And Healthy. 2021. <https://www.aliexpress.com/item/1005001457759984.html> (Year: 2021).*

* cited by examiner

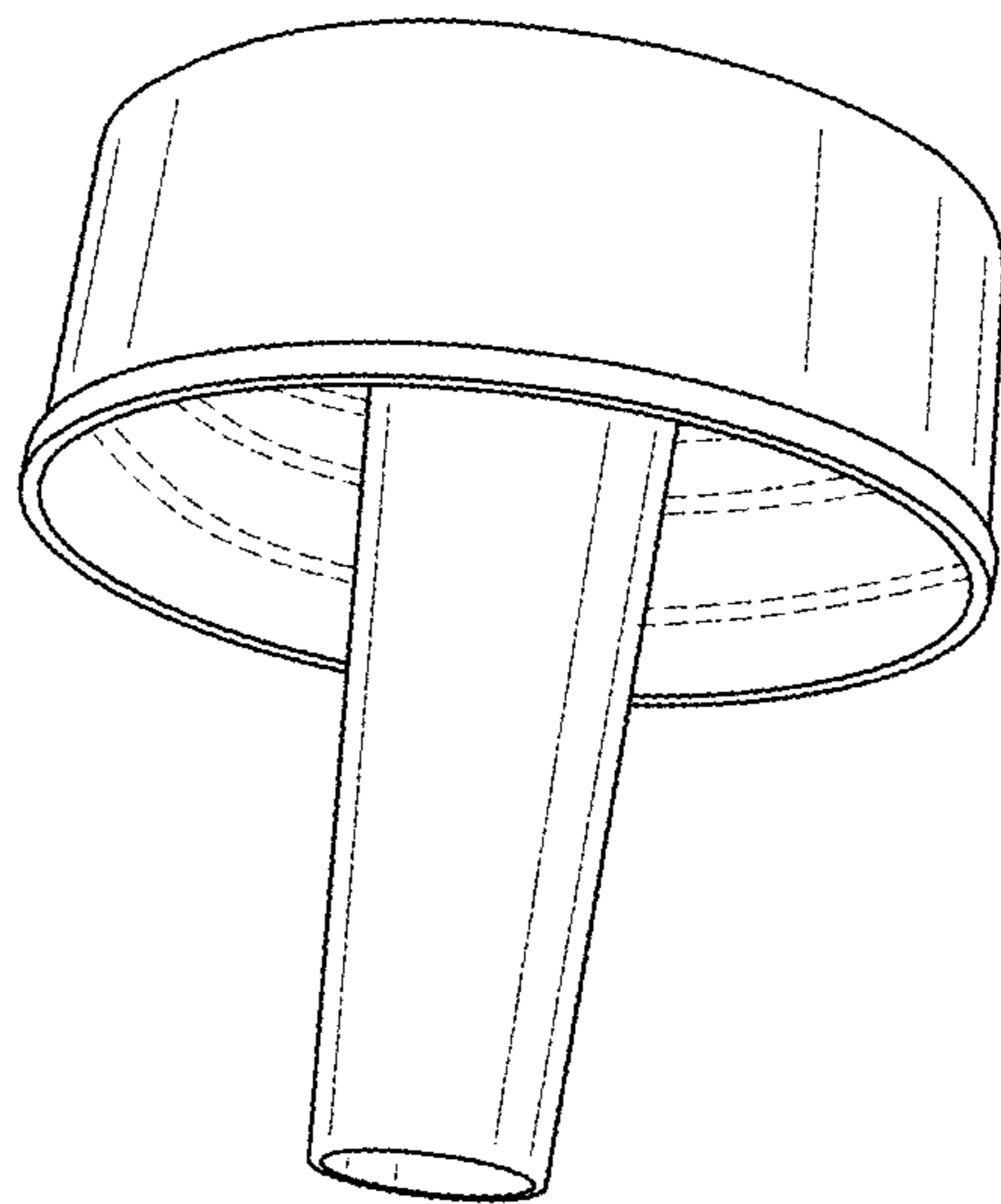


FIG. 1

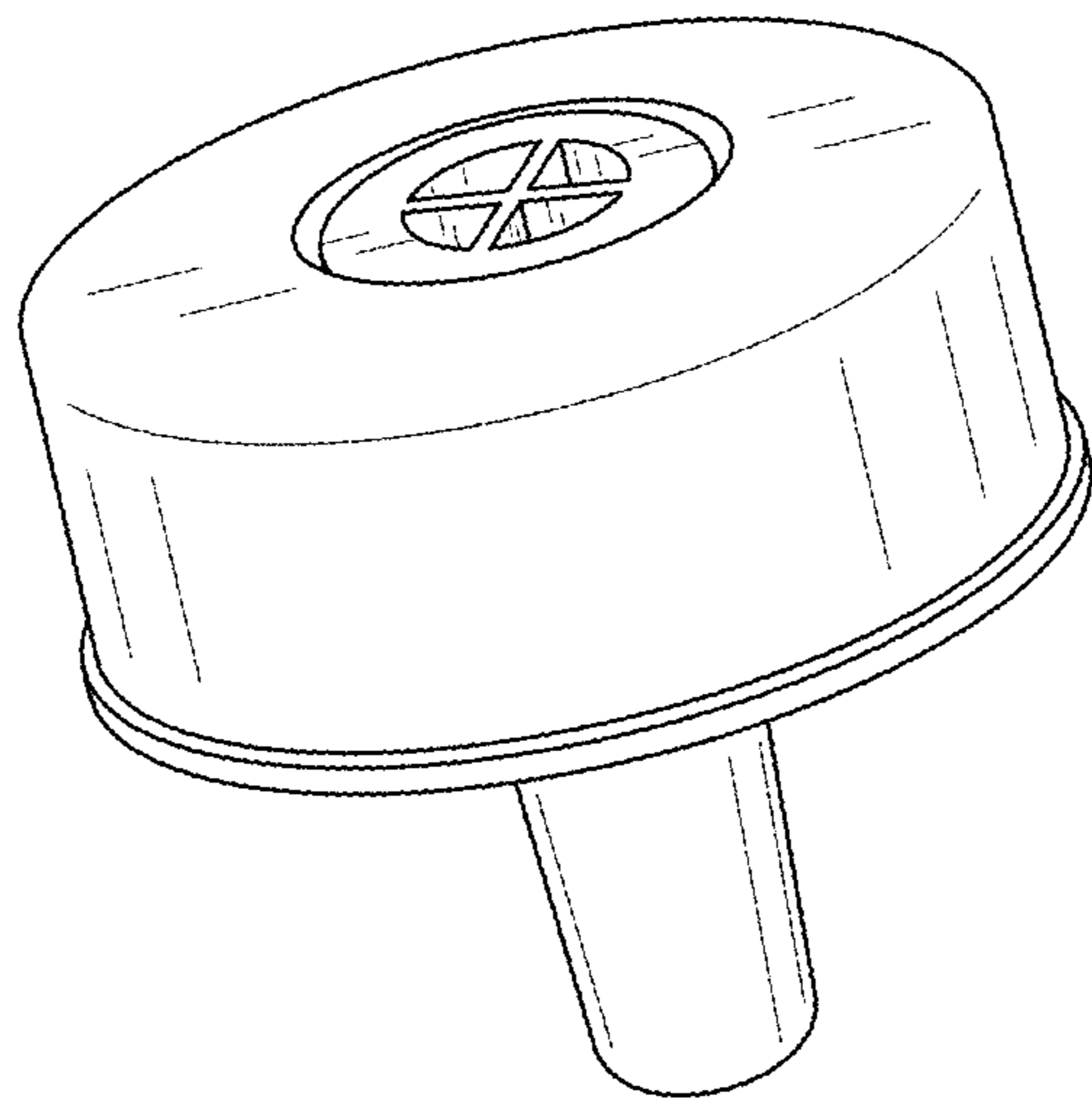


FIG. 2

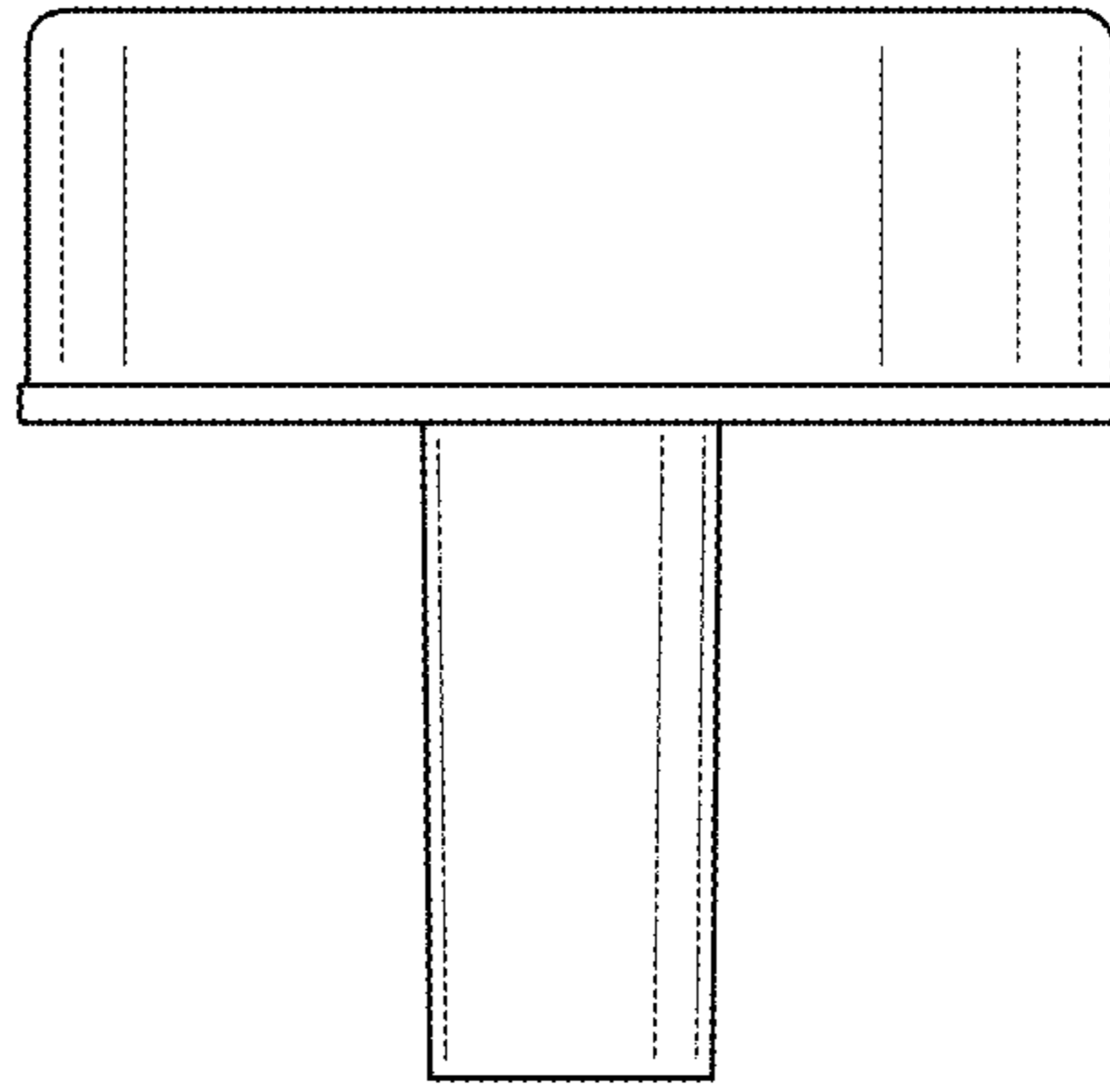


FIG. 3

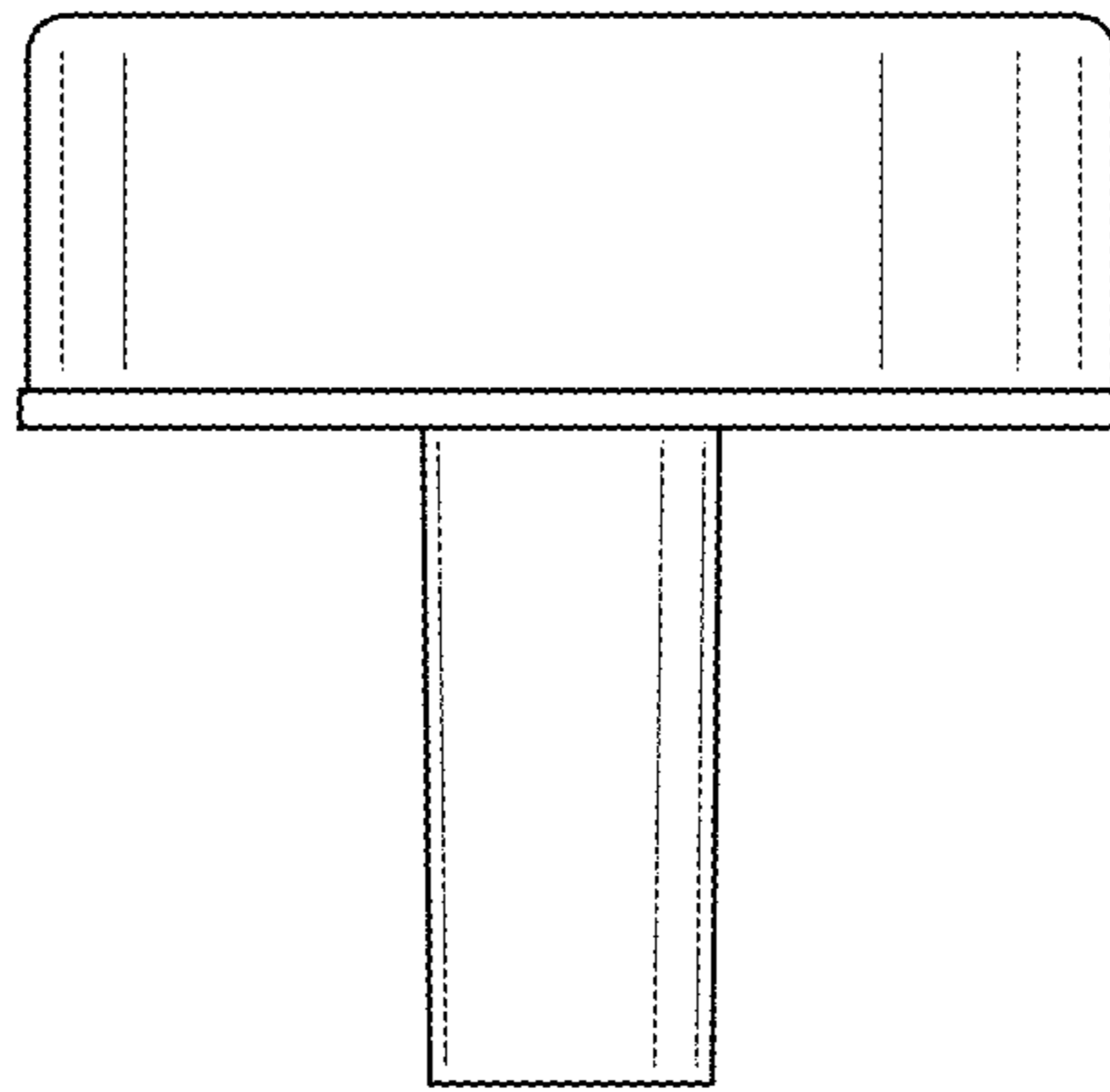


FIG. 4

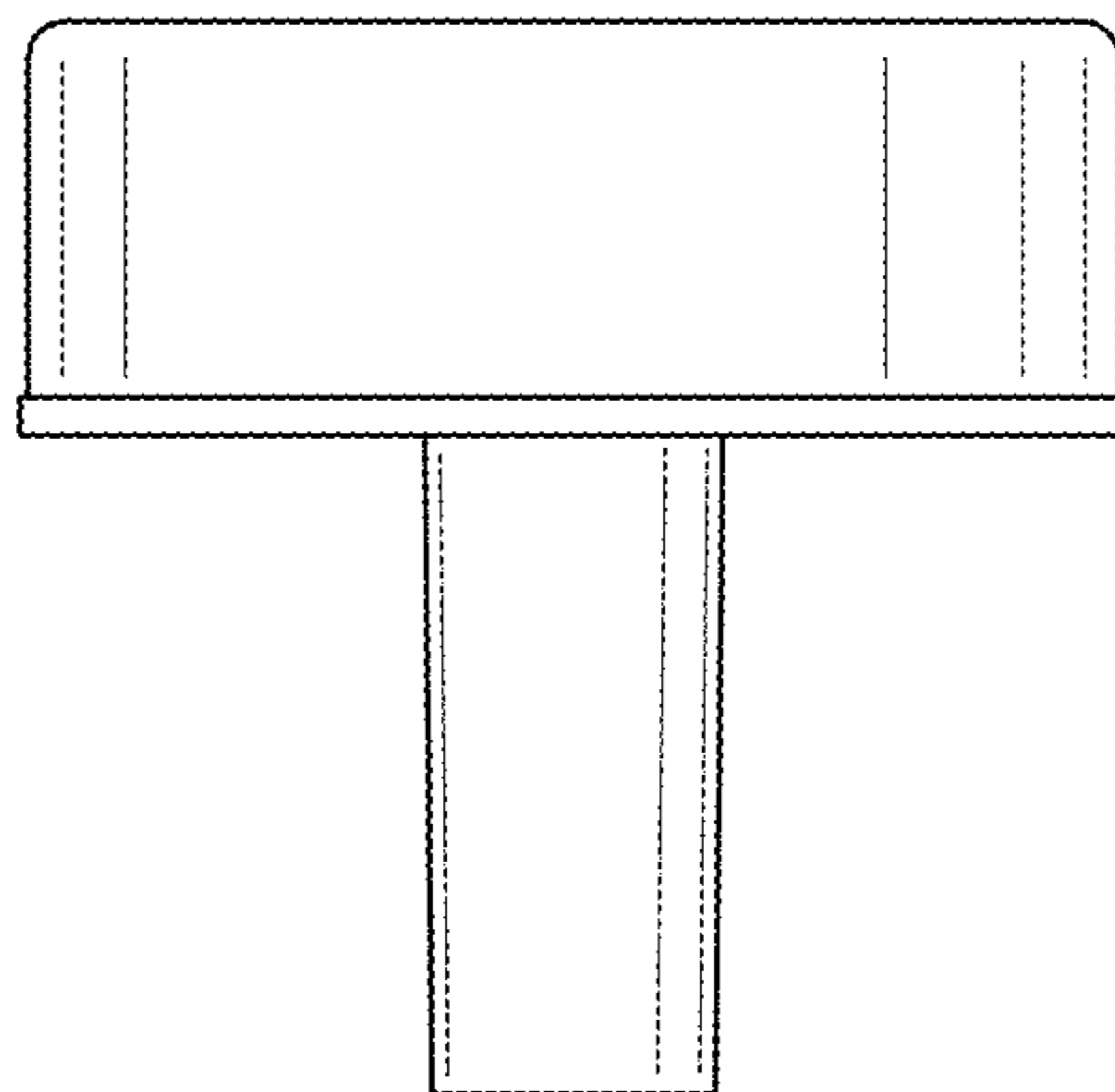


FIG. 5

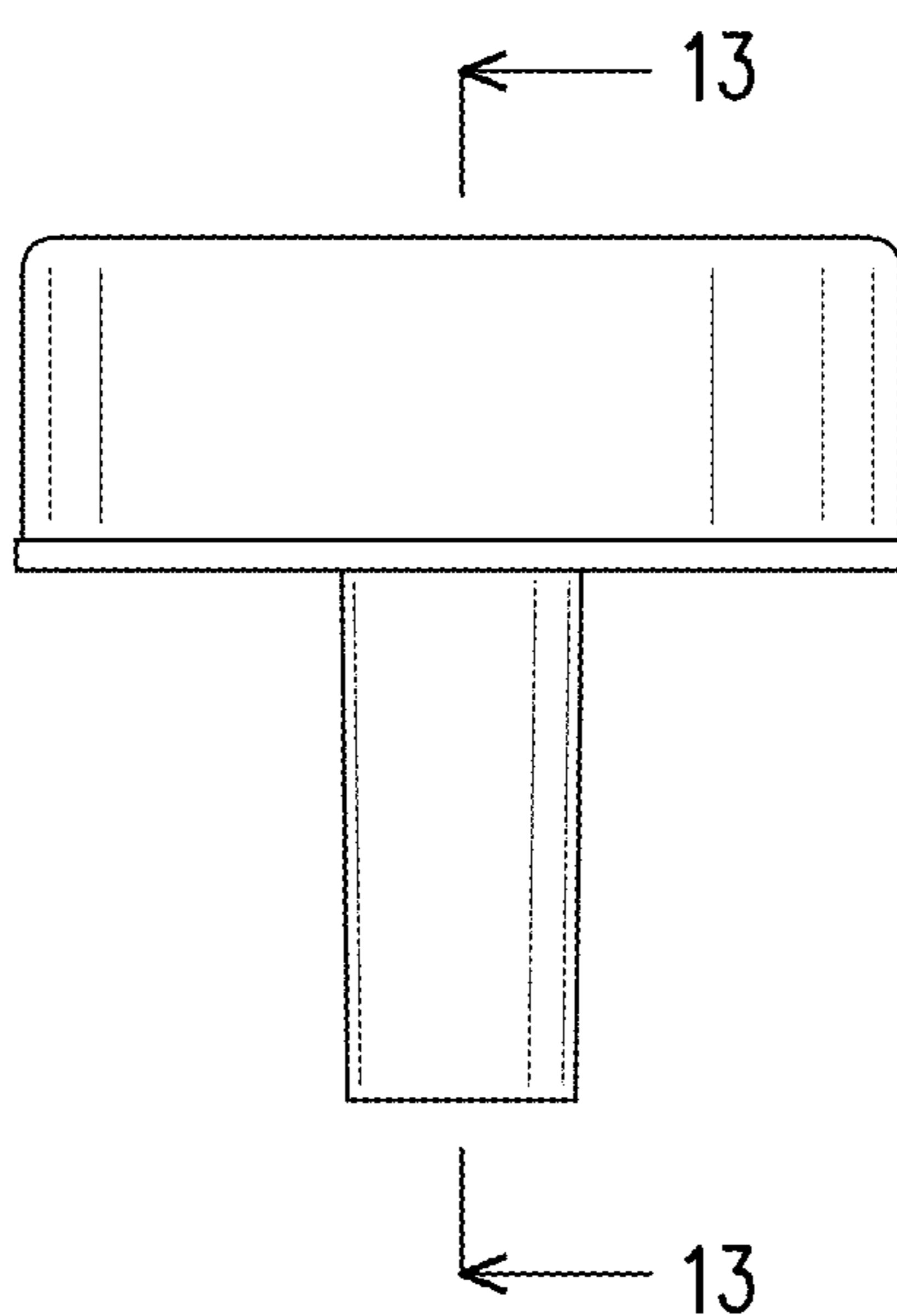


FIG. 6

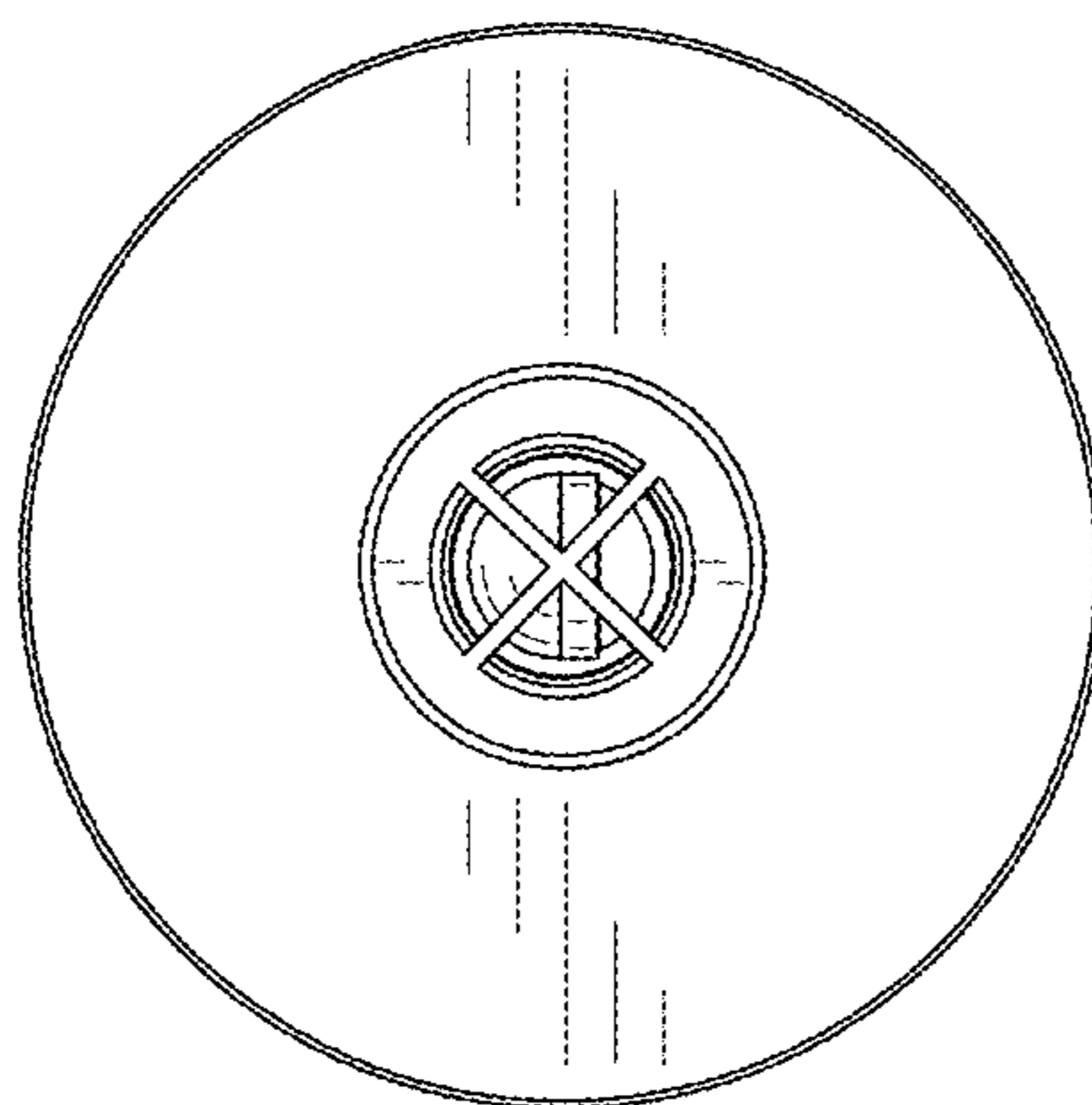


FIG. 7

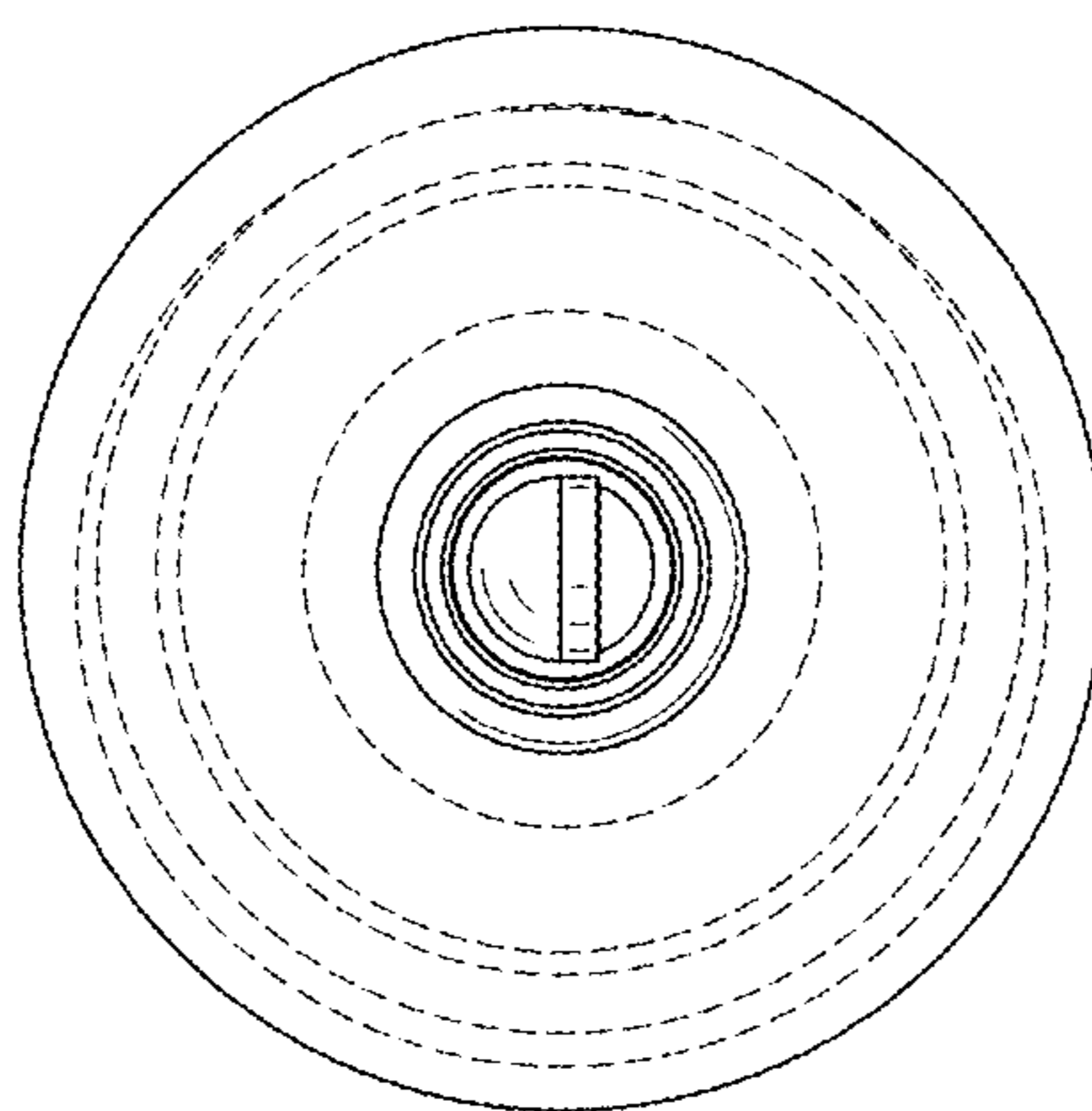


FIG. 8

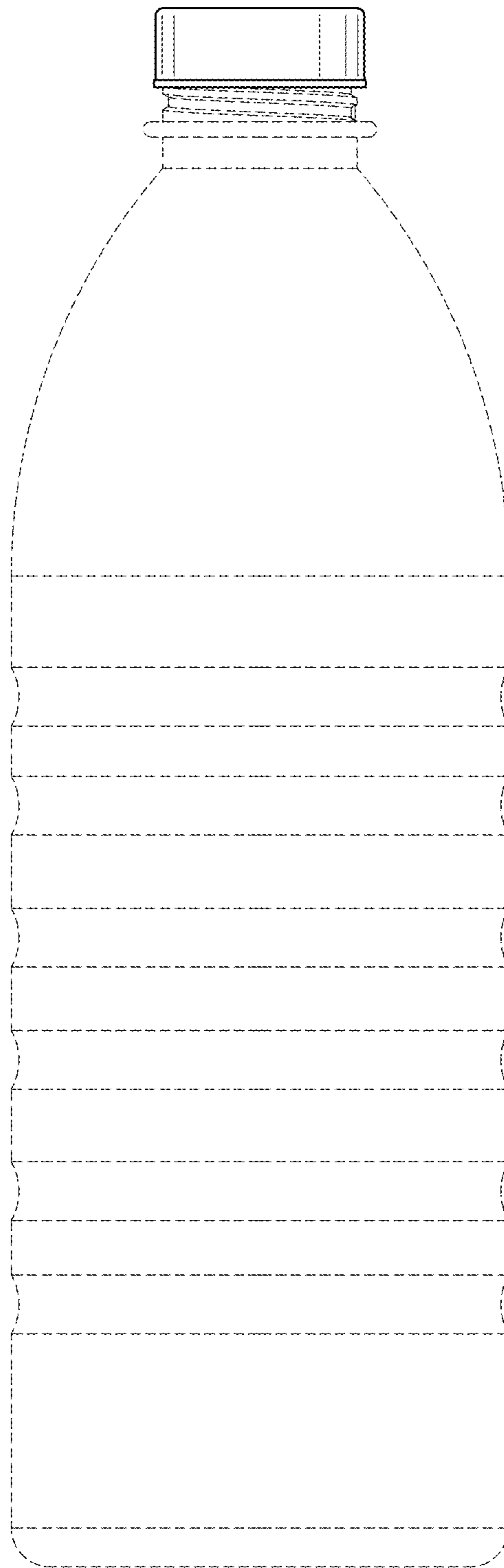


FIG. 9



FIG. 10

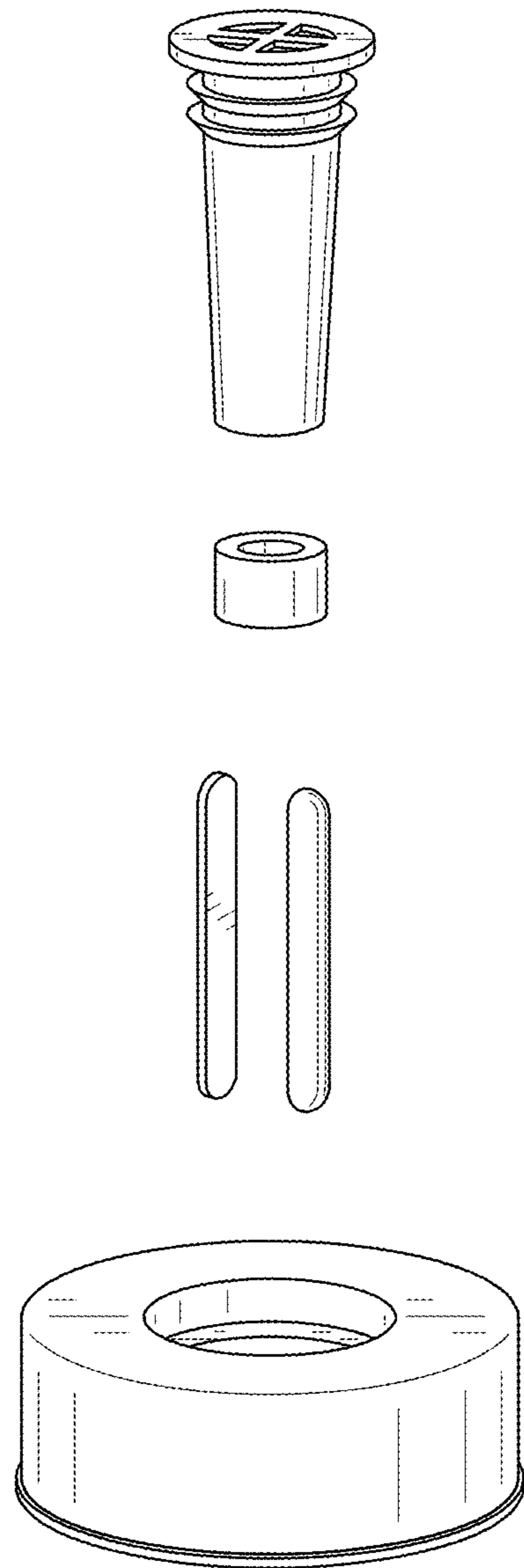


FIG. 11

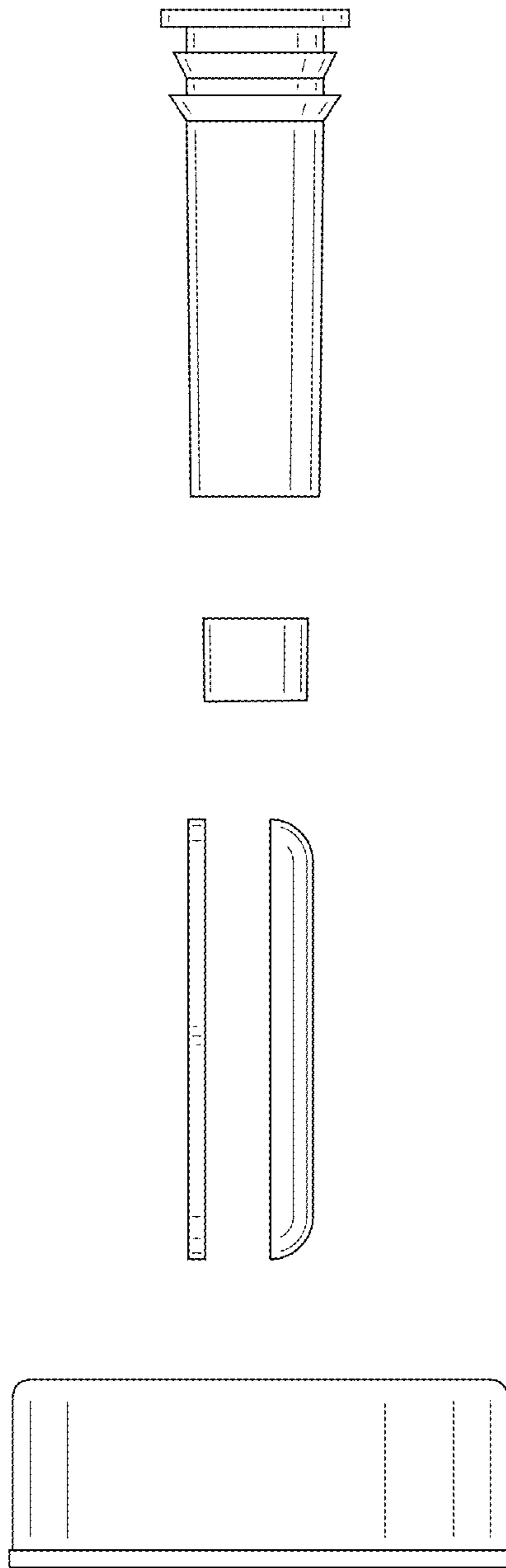


FIG. 12

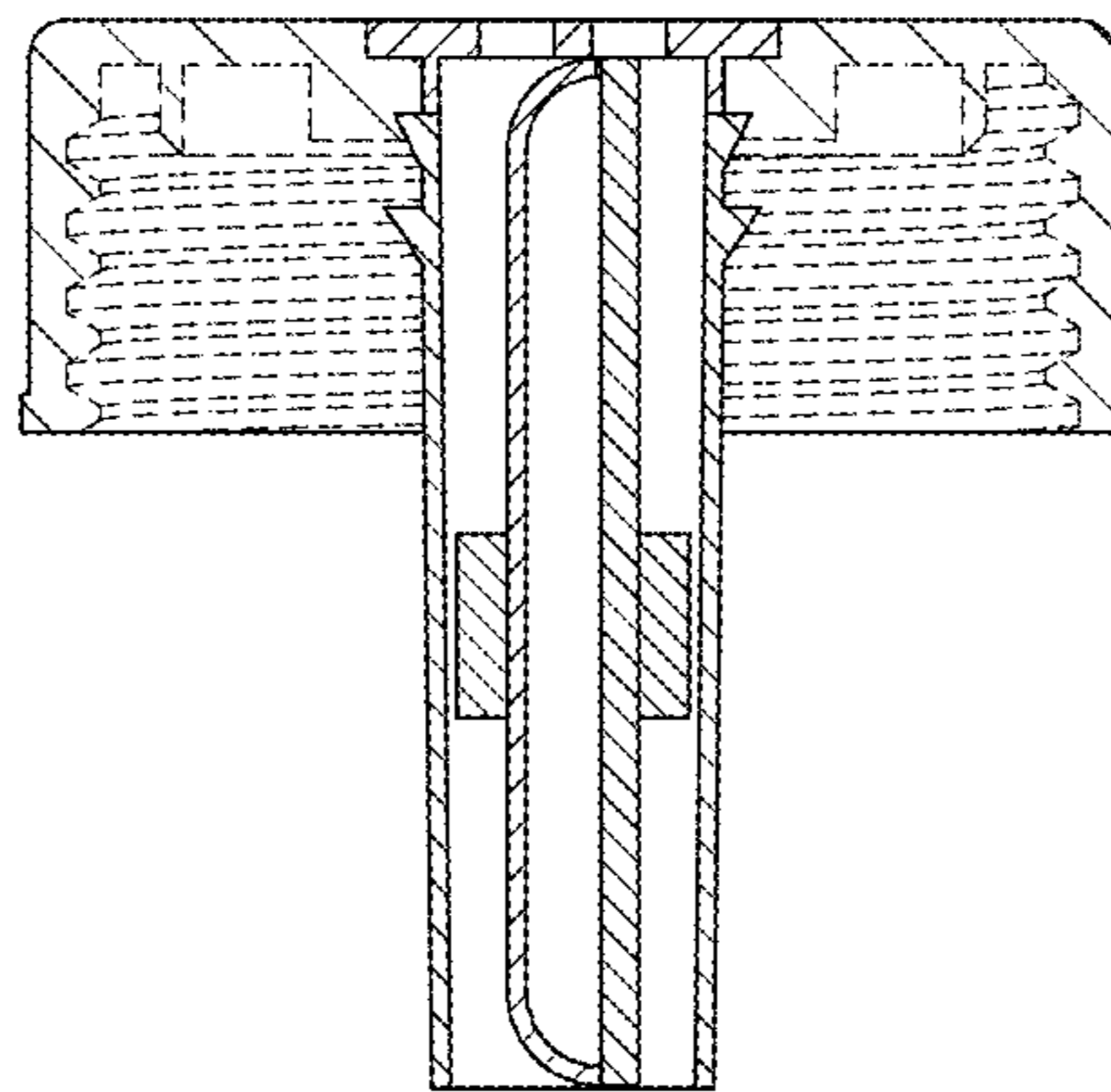


FIG. 13