



US00D933476S

(12) **United States Design Patent** (10) **Patent No.:** **US D933,476 S**
Abadía et al. (45) **Date of Patent:** **** Oct. 19, 2021**

(54) **LID FOR PACKAGING**

(71) Applicant: **ARAVEN, S.L.**, Villanueva de Gállego (ES)

(72) Inventors: **Javier Villanova Abadía**, Villanueva de Gállego (ES); **Raúl Purroy Lasheras**, Villanueva de Gállego (ES); **Alejandro Olmos Aquilué**, Villanueva de Gállego (ES); **Manuel Rodríguez Esteban**, Villanueva de Gállego (ES)

(73) Assignee: **ARAVEN, S.L.**, Villanueva de Gállego (ES)

(**) Term: **15 Years**

(21) Appl. No.: **29/726,608**

(22) Filed: **Mar. 4, 2020**

(30) **Foreign Application Priority Data**

Sep. 4, 2019 (EM) 006813184

(51) **LOC (13) Cl.** **09-07**

(52) **U.S. Cl.**
USPC **D9/435; D3/318**

(58) **Field of Classification Search**
USPC D9/434, 499, 435, 452, 453, 455, 456, D9/423-425; D7/391, 392, 396.1, 511, D7/538, 542, 601, 602, 605, 629, 705, D7/708, 550.1, 554.3; D3/302, 903, 318
CPC B65D 1/34
See application file for complete search history.

(56) **References Cited**

U.S. PATENT DOCUMENTS

D234,456 S * 3/1975 Dearth D9/423
D237,135 S * 10/1975 Wiant D7/605
4,195,746 A * 4/1980 Cottrell B65D 1/34
206/545

D271,554 S * 11/1983 Grusin D7/392.1
D358,328 S * 5/1995 Huerto D9/435
D580,170 S * 11/2008 Klotzman D3/272
D648,538 S * 11/2011 Reinhart D3/318
D648,624 S * 11/2011 Golota D9/434
D655,988 S * 3/2012 Miros D7/629
D698,199 S * 1/2014 Yessin D7/392.1
D734,663 S * 7/2015 Cooper D9/425
D744,239 S * 12/2015 Reinhart D3/318
D789,789 S * 6/2017 Beavis D9/435
D790,337 S * 6/2017 Sofy D9/435
D801,110 S * 10/2017 Sarnoff D7/391
D807,112 S * 1/2018 Barea D7/391

(Continued)

OTHER PUBLICATIONS

Youtube. Araven Tv—Gastronorm 2/1 Food Boxes. Jan. 10, 2020. https://www.youtube.com/watch?v=77_BU_SVGYc (Year: 2020).*

(Continued)

Primary Examiner — Darcey E Gottschalk
(74) *Attorney, Agent, or Firm* — Amster, Rothstein & Ebenstein LLP

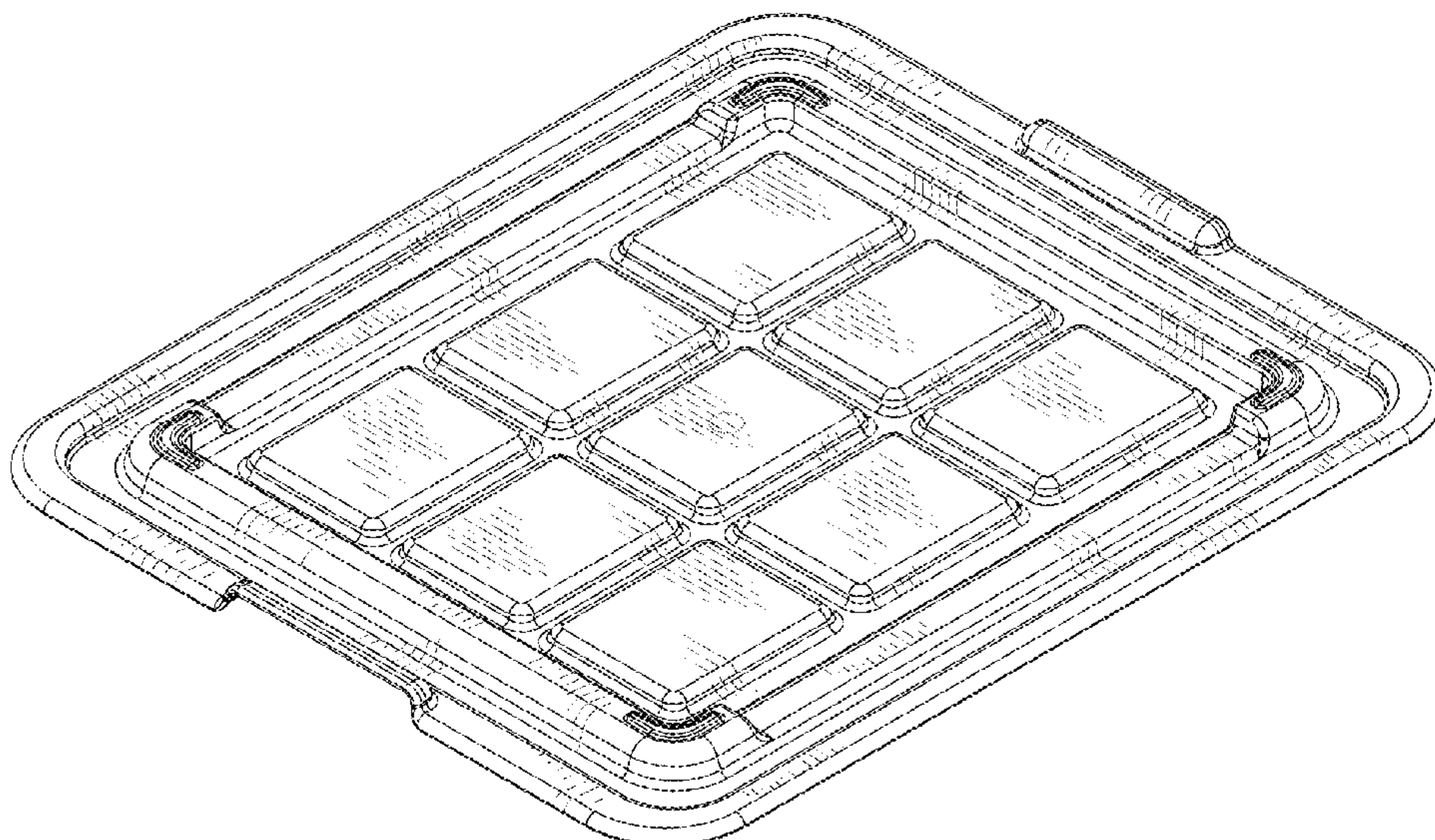
(57) **CLAIM**

The ornamental design for a lid for packaging, as shown and described.

DESCRIPTION

FIG. 1 is a top perspective view of a lid for packaging showing our new design;
FIG. 2 is a front view thereof;
FIG. 3 is a top view thereof;
FIG. 4 is a side view thereof;
FIG. 5 is a rear view thereof;
FIG. 6 is a bottom view thereof;
FIG. 7 is an opposite side view thereof; and,
FIG. 8 is a bottom perspective view thereof.
The broken lines show environmental subject matter and form no part of the claimed design.

1 Claim, 8 Drawing Sheets



(56)

References Cited

U.S. PATENT DOCUMENTS

D815,924 S	*	4/2018	Croft	D7/629
D833,149 S	*	11/2018	Sofy	D3/323
D839,664 S	*	2/2019	Pentelovitch	D7/391
D845,700 S	*	4/2019	Delgado Carmona	D7/391
D891,782 S	*	8/2020	Ragias	D3/318
D903,484 S	*	12/2020	Bontrager	D9/425
D903,485 S	*	12/2020	Bontrager	D9/425
D904,183 S	*	12/2020	Bontrager	D9/425
D904,184 S	*	12/2020	Bontrager	D9/425
D904,877 S	*	12/2020	Bontrager	D9/425

OTHER PUBLICATIONS

Araven. Gastronorm 2/1 Food Boxes. No date specified. <https://hosteleria.araven.com/en/product/gastronorm-21-food-boxes> (Year: 0).*

* cited by examiner

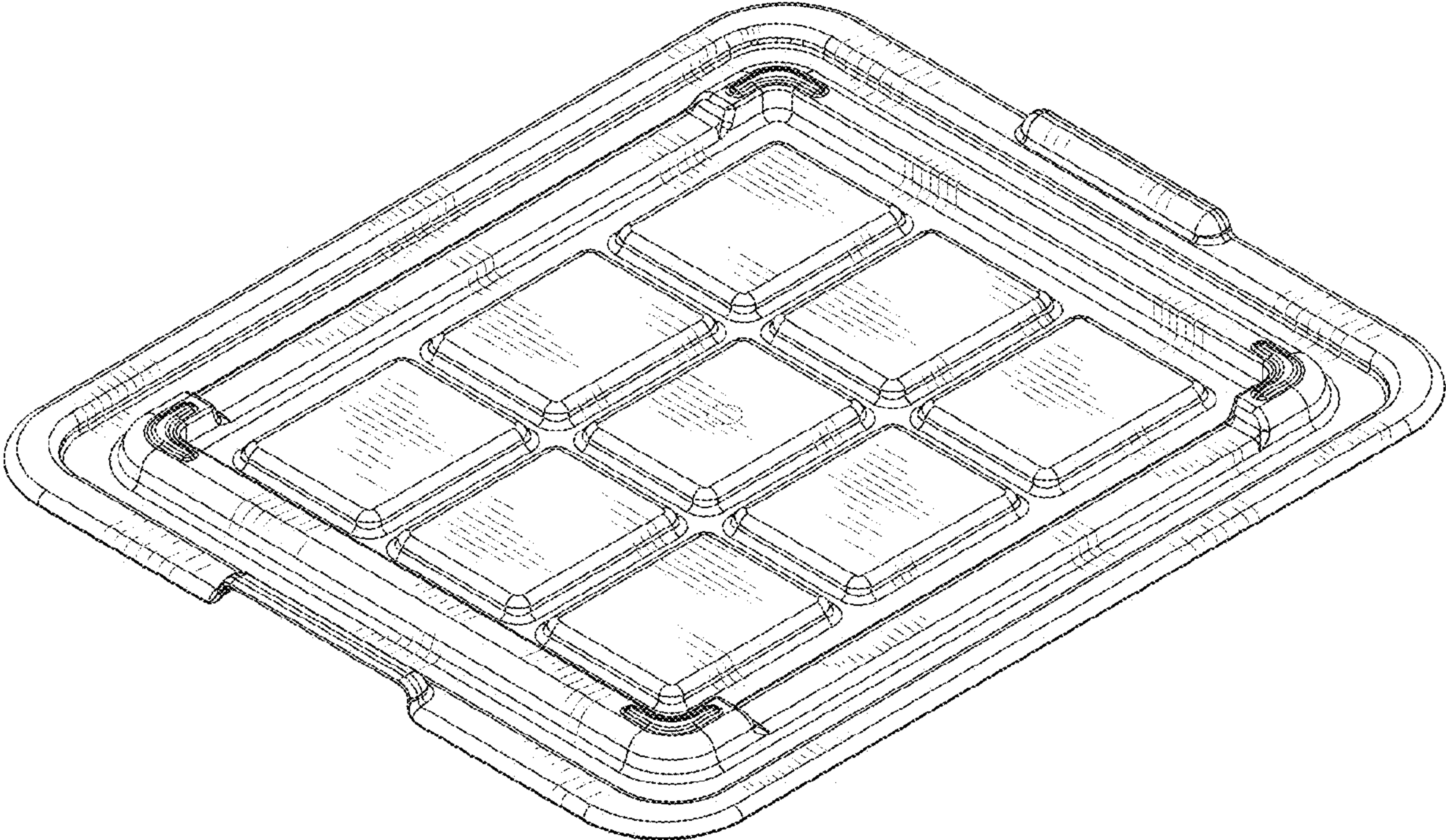


FIG. 1

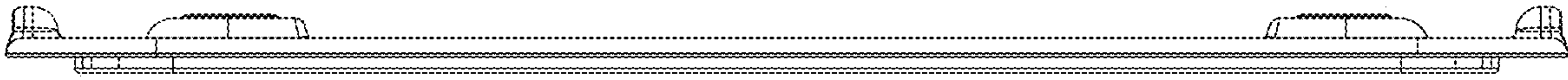


FIG. 2

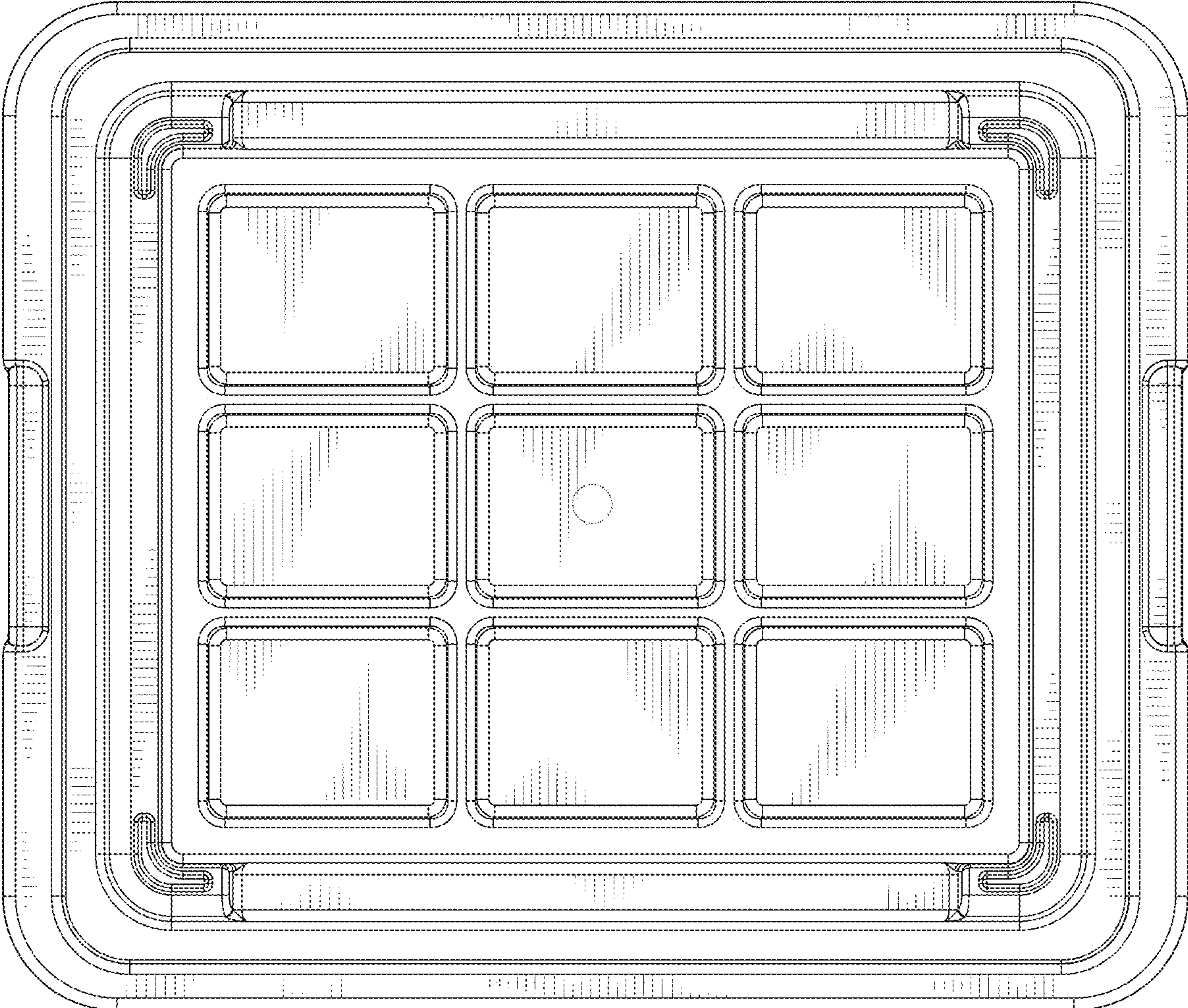


FIG. 3

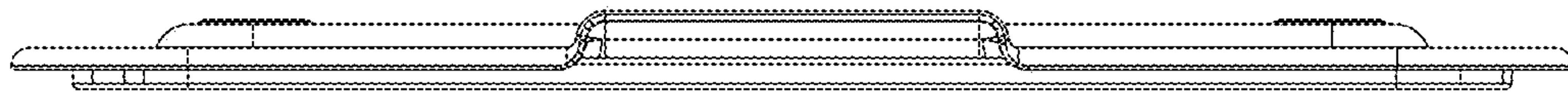


FIG. 4

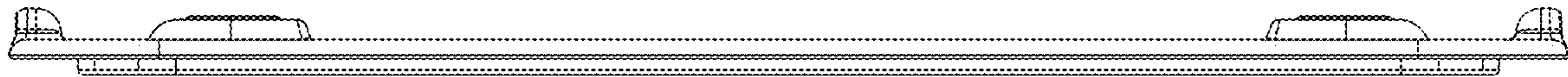


FIG. 5

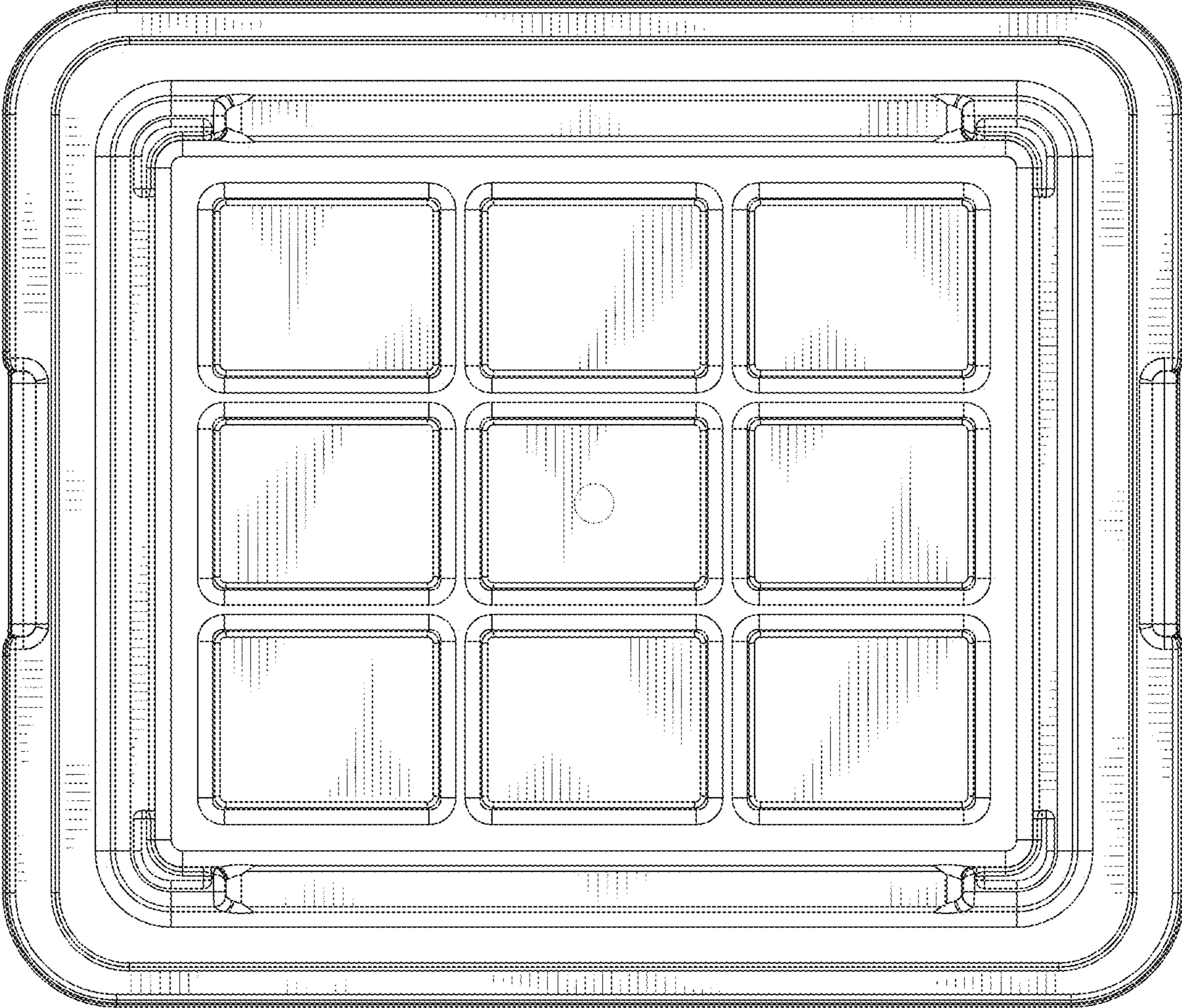


FIG. 6

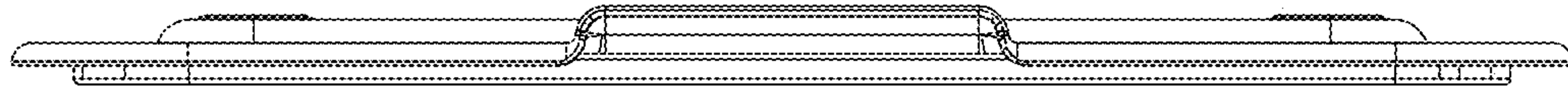


FIG. 7

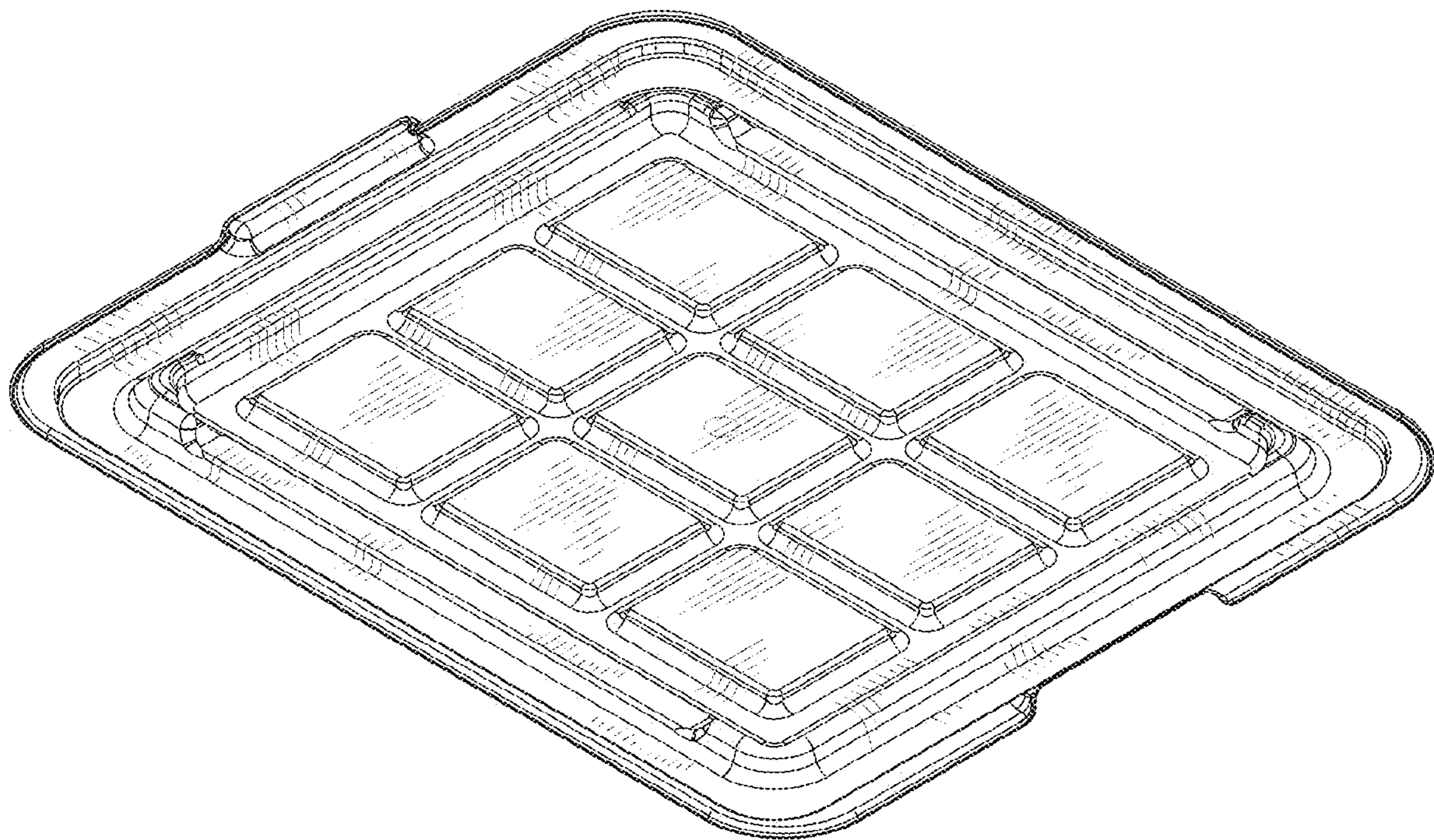


FIG. 8