



US00D933471S

(12) **United States Design Patent**
Luo et al.

(10) **Patent No.:** **US D933,471 S**

(45) **Date of Patent:** **** Oct. 19, 2021**

(54) **PACKAGING BOX**

(71) Applicant: **Hangzhou Hikvision Digital Technology Co., Ltd.**, Zhejiang (CN)

(72) Inventors: **Biyun Luo**, Zhejiang (CN); **Chengdong Xu**, Zhejiang (CN); **Huilu Hong**, Zhejiang (CN)

(73) Assignee: **Hangzhou Hikvision Digital Technology Co., Ltd.**, Zhejiang (CN)

(**) Term: **15 Years**

(21) Appl. No.: **29/697,679**

(22) Filed: **Jul. 10, 2019**

(30) **Foreign Application Priority Data**

Mar. 12, 2019 (CN) 201930100217.3

(51) **LOC (13) Cl.** **09-03**

(52) **U.S. Cl.**
USPC **D9/432**

(58) **Field of Classification Search**

USPC D2/205; D3/205; D5/56, 59, 60, 62;
D7/396, 4, 546, 549, 550, 1, 601, 602,
(Continued)

(56) **References Cited**

U.S. PATENT DOCUMENTS

D76,992 S * 11/1928 Fawcett D9/432
D87,781 S * 9/1932 Hauck D9/432
(Continued)

FOREIGN PATENT DOCUMENTS

CN 303876190 * 10/2016
CN 305193931 * 6/2019
(Continued)

OTHER PUBLICATIONS

Setting up for the next Hikvision camera project: Site Visited [Dec. 14, 2020]. Available from Internet URL: <https://www.intellibeam.com/setting-up-for-the-next-hikvision-camera-project/>.*

Primary Examiner — Janice Patyk

Assistant Examiner — Riah D Buchanan

(74) *Attorney, Agent, or Firm* — Bret E. Field; Bozicevic, Field & Francis LLP

(57) **CLAIM**

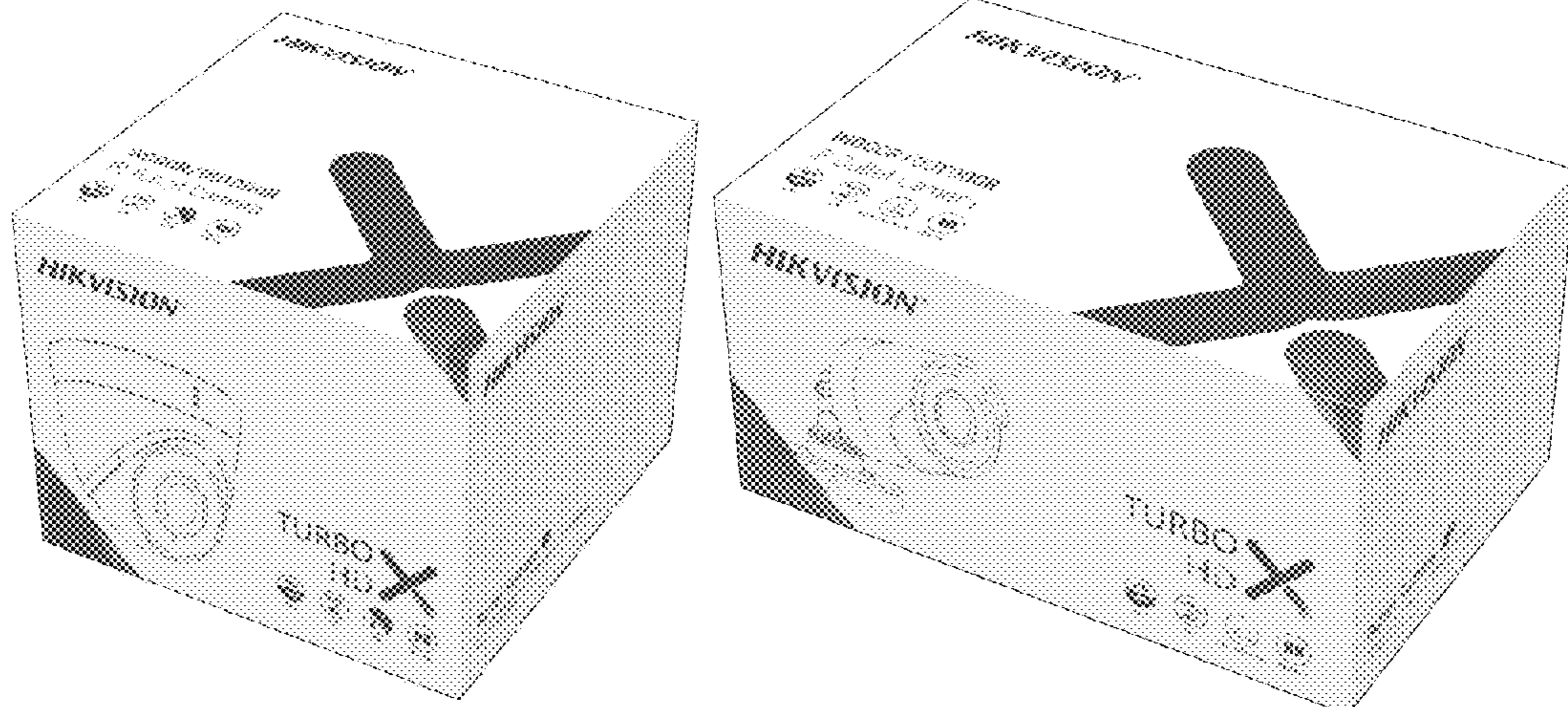
The ornamental design for a packaging box, as shown and described.

DESCRIPTION

FIG. 1 is a front view of a packaging box according to a first embodiment of our new design; FIG. 2 is a back view of the packaging box shown in FIG. 1; FIG. 3 is a left view of the packaging box shown in FIG. 1; FIG. 4 is a right view of the packaging box shown in FIG. 1; FIG. 5 is a top view of the packaging box shown in FIG. 1; FIG. 6 is a bottom view of the packaging box shown in FIG. 1; FIG. 7 is a perspective view of the packaging box shown in FIG. 1; FIG. 8 is a front view of a packaging box according to a second embodiment of our new design; FIG. 9 is a back view of the packaging box shown in FIG. 8; FIG. 10 is a left view of the packaging box shown in FIG. 8; FIG. 11 is a right view of the packaging box shown in FIG. 8; FIG. 12 is a top view of the packaging box shown in FIG. 8; FIG. 13 is a bottom view of the packaging box shown in FIG. 8; and, FIG. 14 is a perspective view of the packaging box shown in FIG. 8.

The broken lines are shown for the purpose of illustrating parts of the article that form no part of the claimed design. The HIKVISION® logo shown in the drawings, and forming part of the claim, is a registered trademark of Hangzhou Hikvision Digital Technology Co., Ltd Corporation.

1 Claim, 14 Drawing Sheets



(58) **Field of Classification Search**

USPC D7/607, 609, 703; D9/414, 415, 416,
 D9/418, 420, 423, 425, 432, 433, 434,
 D9/435, 436, 437, 438, 439, 440, 441,
 D9/442, 443, 444, 445, 446, 447, 448,
 D9/449, 450, 451, 452, 453, 454, 630,
 D9/703, 713; D16/202, 203; D27/175,
 D27/186; D28/66
 CPC B65D 35/34; B65D 75/32; B65D 77/24;
 B65D 5/00; B65D 5/01; B65D 5/02;
 B65D 5/0209; B65D 5/0272; B65D
 5/029; B65D 5/40; B65D 5/72; B65D
 5/541; B65D 5/705; B65D 5/706; B65D
 5/727; B65D 5/4204; B65D 1/00; B65D
 1/02; B65D 1/0233; B65D 1/22; B65D
 1/32; B65D 1/36; B65D 1/40; B65D
 1/225; B65D 23/00; B65D 23/12; B65D
 23/14; B65D 2203/00; B65D 2203/02;
 B65D 2501/0008; B65D 2543/00296;
 B65D 15/08; B65D 65/22; B65D
 2577/205; B65D 79/00; B65D 81/00;
 B65D 82/00; B65D 85/00; B65D 2585/00
 See application file for complete search history.

(56) **References Cited**

U.S. PATENT DOCUMENTS

D323,618 S * 2/1992 Arai D9/432

D396,806 S * 8/1998 Burke D9/432
 D419,443 S * 1/2000 Yonehara D9/432
 D702,274 S * 4/2014 Qian D16/203
 D764,286 S * 8/2016 Dumville D9/432
 D764,289 S * 8/2016 Hauck D9/432
 D781,701 S * 3/2017 Brody D9/432
 D829,094 S * 9/2018 Kang D9/432
 D846,381 S * 4/2019 Akrapovic D9/432
 D846,384 S * 4/2019 Borkovetz D9/434
 D848,260 S * 5/2019 Joo D9/432
 D848,504 S * 5/2019 Ahman D16/203
 D867,878 S * 11/2019 Pushkar D9/434
 D871,484 S * 12/2019 Wang D16/203
 D881,003 S * 4/2020 Hendricks D9/432
 D882,407 S * 4/2020 Mochizuki D9/624
 D902,286 S * 11/2020 Persson D16/219
 2020/0389597 A1 * 12/2020 Guan H04N 5/22521

FOREIGN PATENT DOCUMENTS

CN 305193953 * 6/2019
 EM 006613576-0001 * 7/2019
 EM 006629614-0001 * 7/2019
 EM 006638375-0001 * 7/2019
 EM 006638375-0002 * 7/2019
 EM 006638375-0003 * 7/2019
 EM 006638375-0004 * 7/2019

* cited by examiner

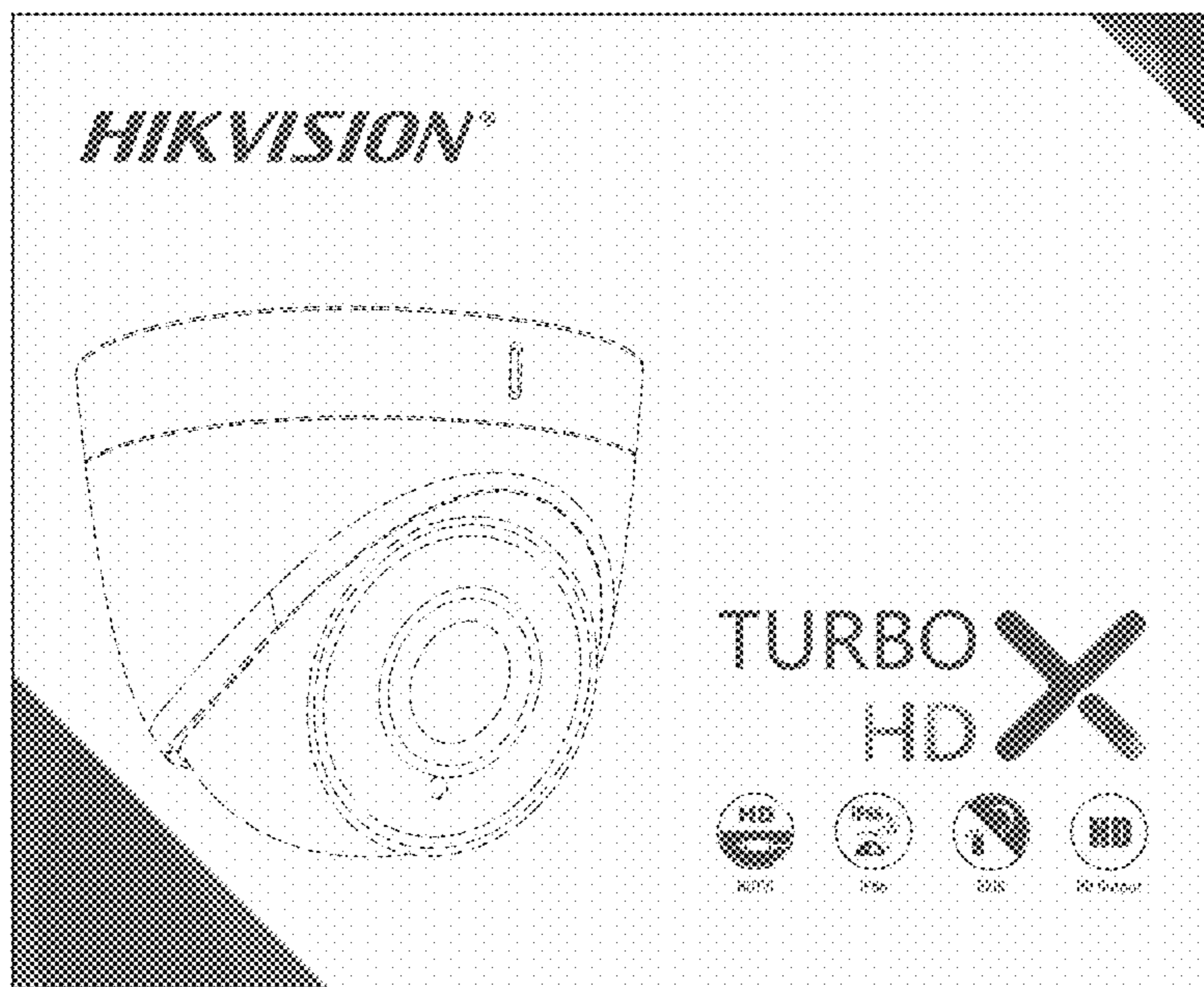


FIG. 1

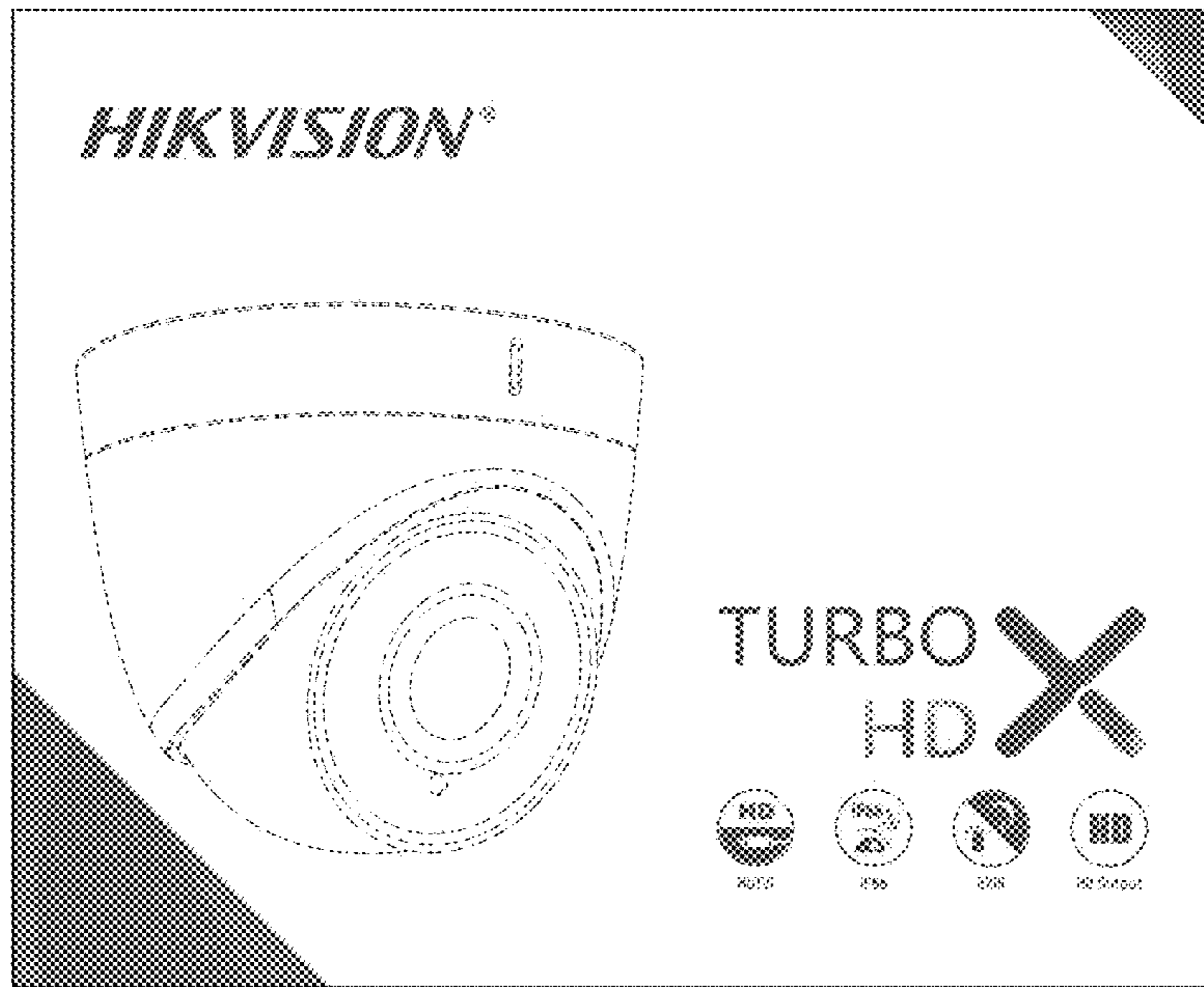


FIG. 2

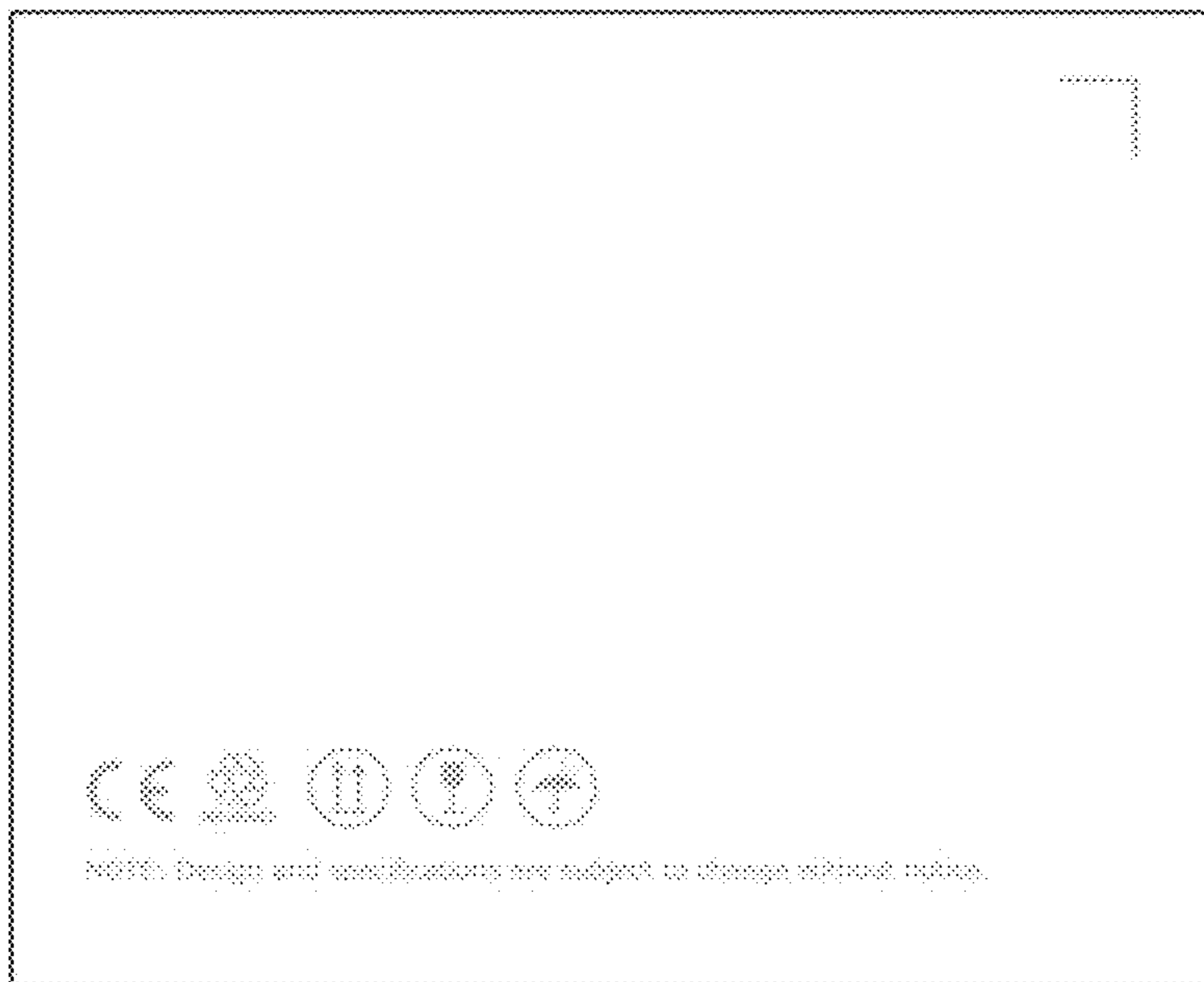


FIG. 3

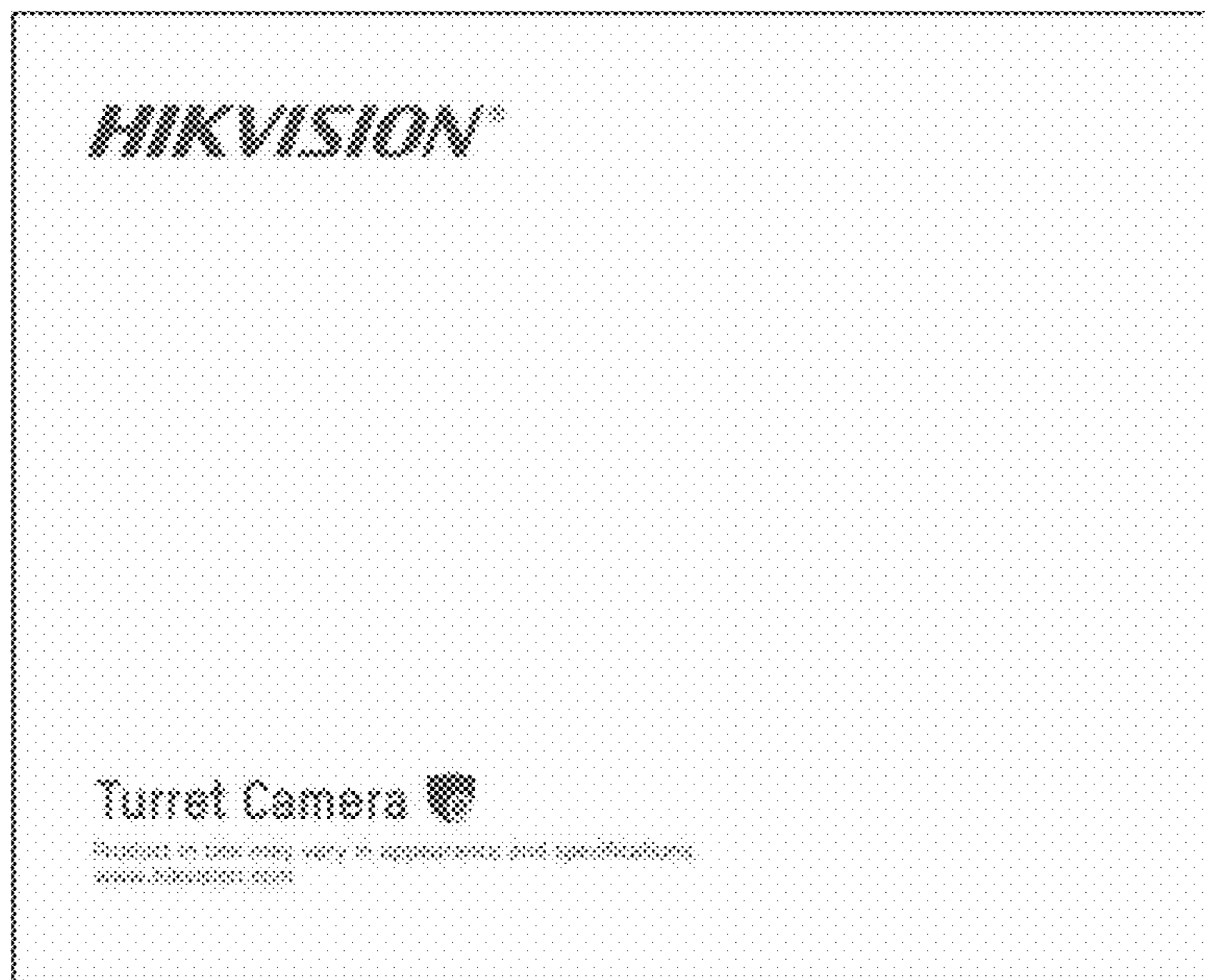


FIG. 4



FIG. 5



FIG. 6

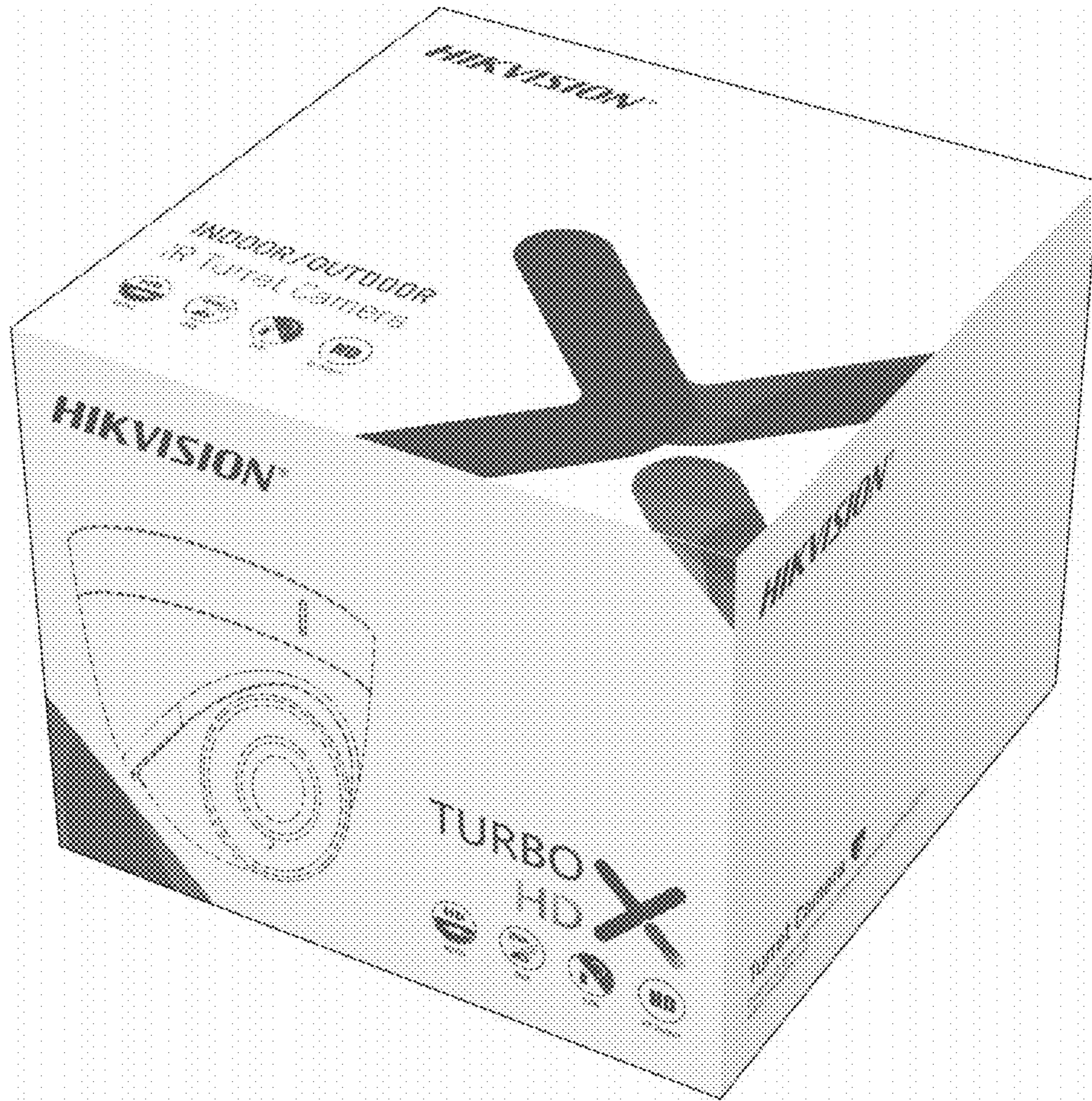


FIG. 7

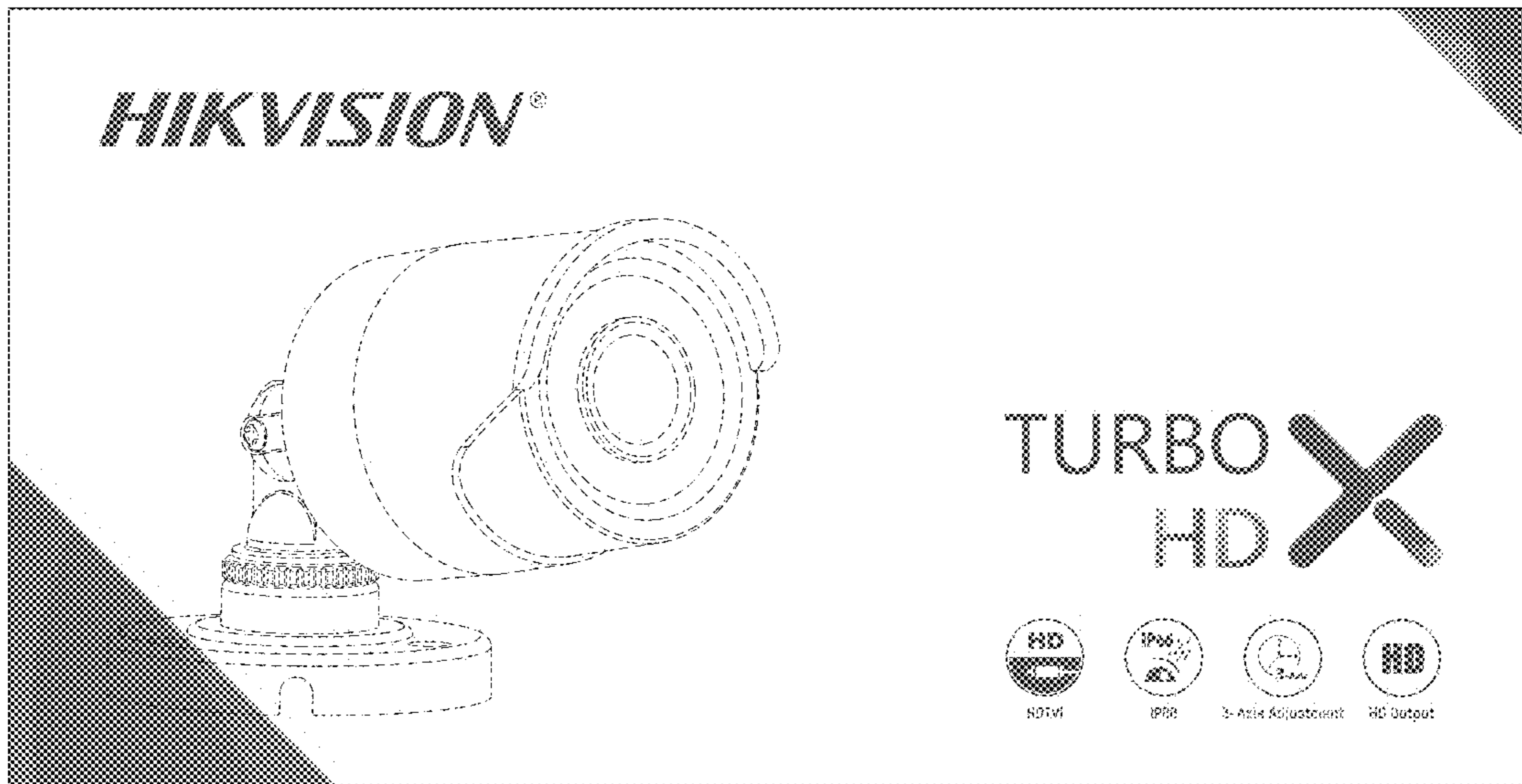


FIG. 8

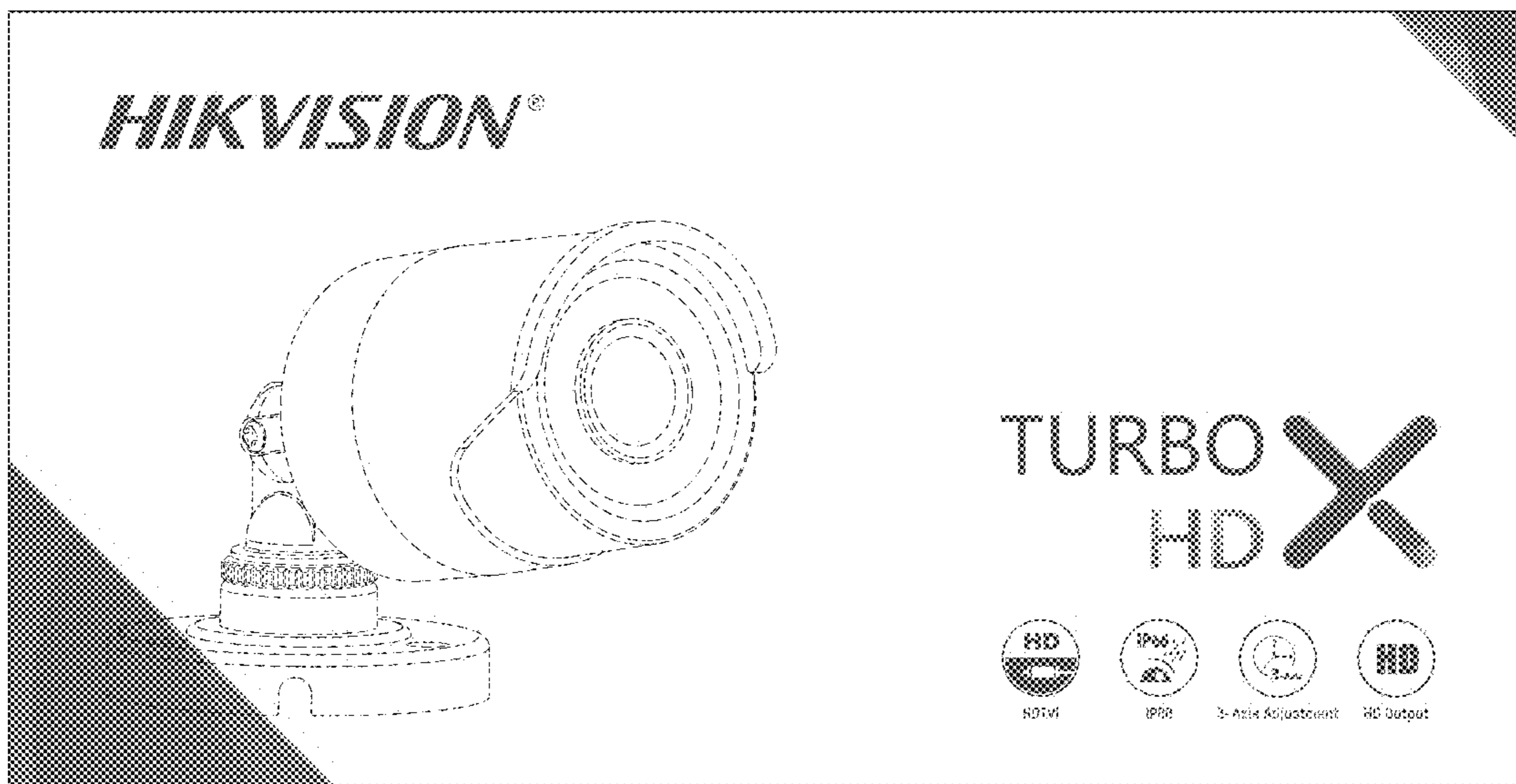


FIG. 9

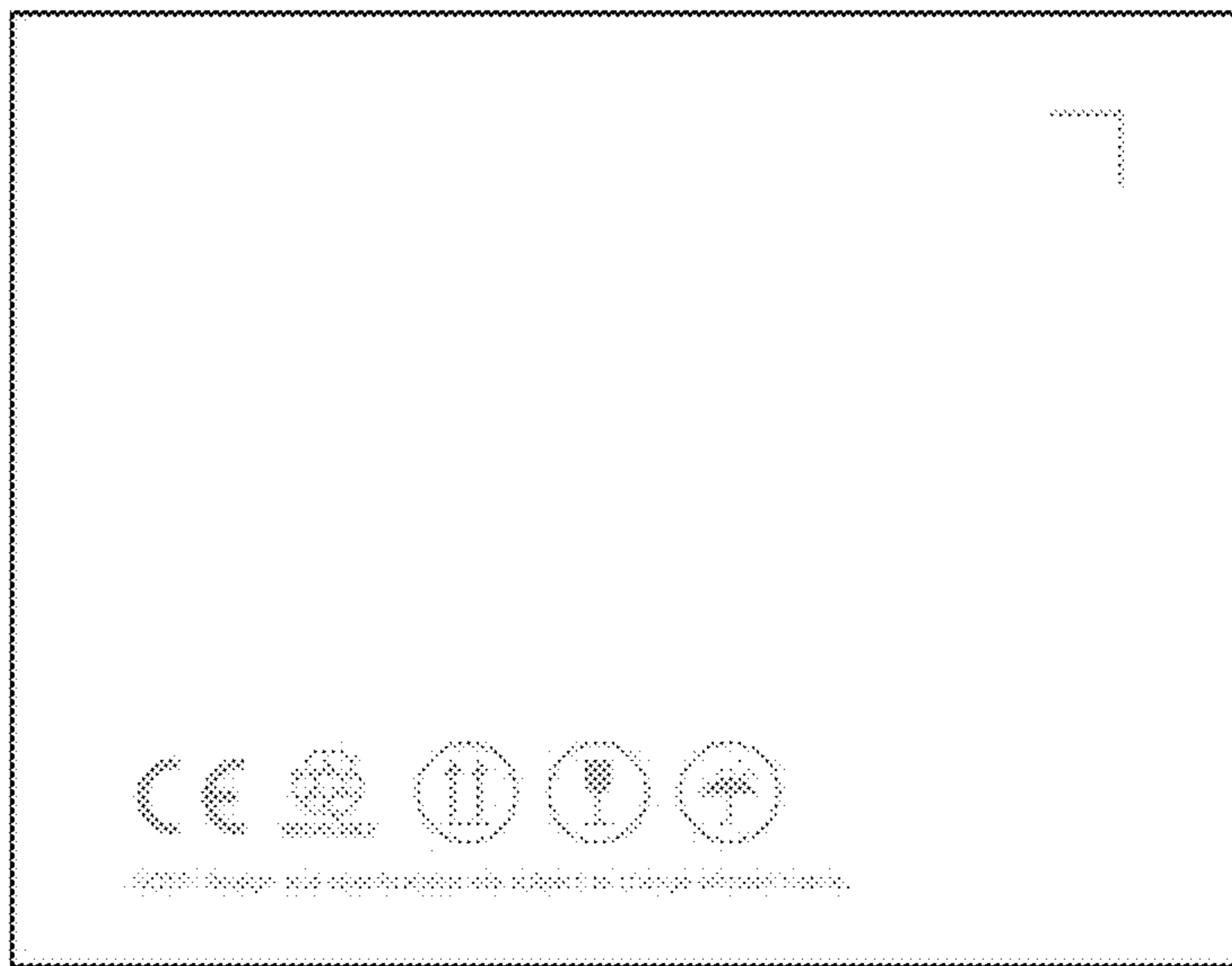


FIG. 10

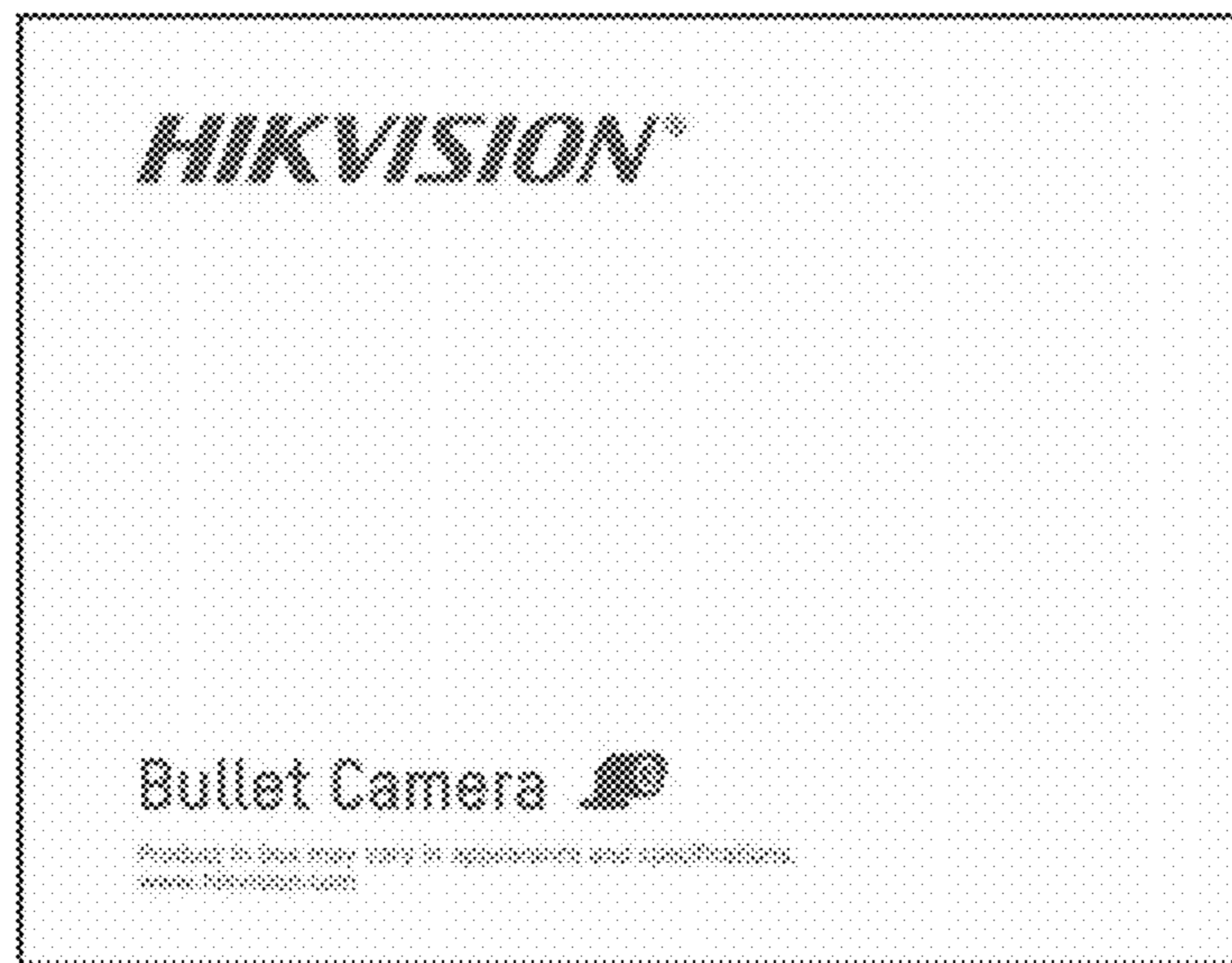


FIG. 11



FIG. 12



FIG. 13



FIG. 14