



US00D933470S

(12) **United States Design Patent** (10) **Patent No.:** **US D933,470 S**
Wangelin et al. (45) **Date of Patent:** **** Oct. 19, 2021**

(54) **SINGLE PACKAGE**
(71) Applicant: **Hypertherm, Inc.**, Hanover, NH (US)
(72) Inventors: **Anthony Wangelin**, DeForest, WI (US); **Scott Alan Behner**, Contoocook, NH (US)
(73) Assignee: **Hypertherm, Inc.**, Hanover, NH (US)
(**) Term: **15 Years**
(21) Appl. No.: **29/697,022**
(22) Filed: **Jul. 3, 2019**
(51) **LOC (13) Cl.** **09-03**
(52) **U.S. Cl.**
USPC **D9/423**
(58) **Field of Classification Search**
USPC D9/423, 414-418, 426, 425, 732, 737, D9/456; D4/199; D14/217, 435; D3/203.3; D24/222
CPC B65D 75/326; B65D 75/20; B65D 75/225
See application file for complete search history.

D615,858 S * 5/2010 Prevost D9/415
D714,633 S * 10/2014 Gringer B65D 75/326
D9/415
D723,365 S * 3/2015 Mitchell D9/416
D739,551 S * 9/2015 Castaing D24/222
D745,385 S * 12/2015 Palsson D9/415
D774,901 S * 12/2016 Geheran D9/423
D815,519 S * 4/2018 Geheran D9/423
D849,539 S * 5/2019 Watson D9/456
D856,130 S * 8/2019 Wang D9/415
D877,613 S * 3/2020 McFaul D9/426
D882,416 S * 4/2020 Duarte de Castro D9/737
D887,703 S * 6/2020 Charm D3/203.3
D894,730 S * 9/2020 Watson D9/425
D896,069 S * 9/2020 Kim D9/423
D902,054 S * 11/2020 Bhalla D9/732
D903,483 S * 12/2020 Nouri D9/425
D918,032 S * 5/2021 Smith D9/425
D918,709 S * 5/2021 Hampton D9/415

* cited by examiner

Primary Examiner — Rhea Shields
(74) *Attorney, Agent, or Firm* — Proskauer Rose LLP; Joseph A. Capraro, Jr.; Gerald E. Worth

(57) **CLAIM**

The ornamental design for a single package, as shown and described.

DESCRIPTION

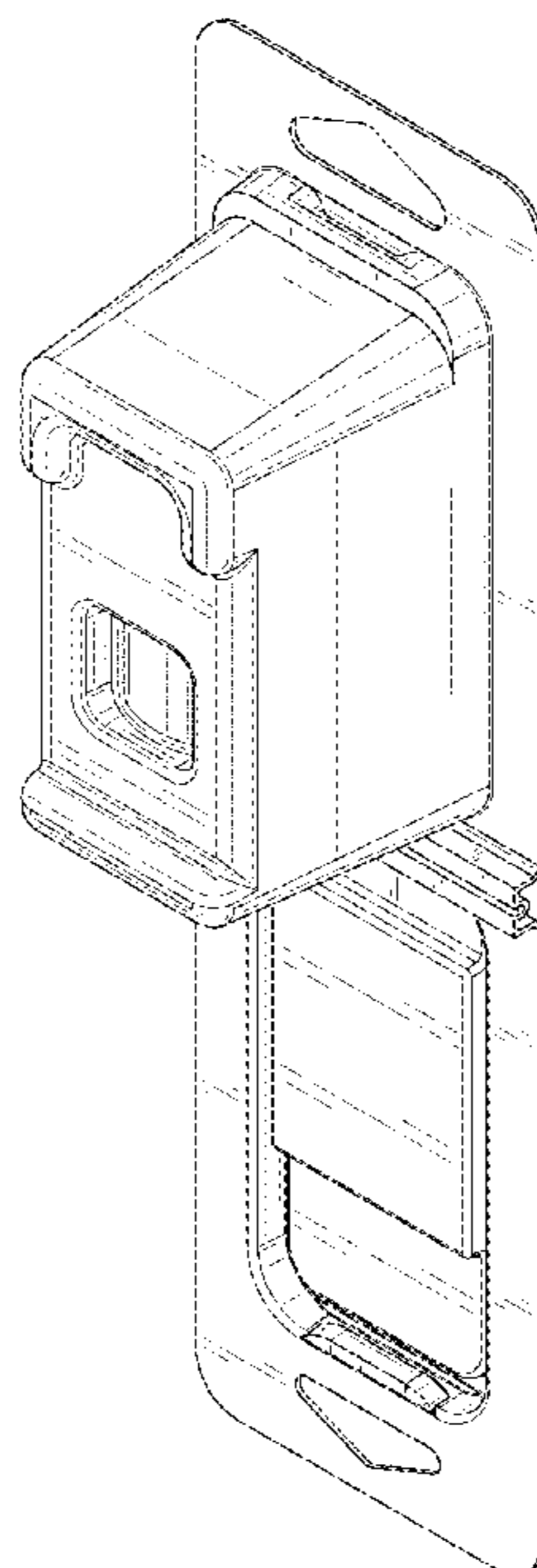
FIG. 1 is a perspective view of the single package;
FIG. 2 is a bottom view thereof;
FIG. 3 is a top view thereof;
FIG. 4 is a right view thereof;
FIG. 5 is a left view thereof;
FIG. 6 is a rear view thereof; and,
FIG. 7 is a front view thereof.

1 Claim, 6 Drawing Sheets

(56) **References Cited**

U.S. PATENT DOCUMENTS

4,512,474 A * 4/1985 Harding B65D 75/225
206/461
D406,755 S * 3/1999 Garganese D9/418
D411,448 S * 6/1999 Baker D9/415
D425,708 S * 5/2000 Drees D4/199
D466,010 S * 11/2002 Valdez D3/295
D504,065 S * 4/2005 Belser D9/423
D550,210 S * 9/2007 Polany D14/217
D593,561 S * 6/2009 Sheba D14/435
D598,740 S * 8/2009 Auer D9/424
7,699,166 B2 * 4/2010 Gauger B65D 75/20
206/233



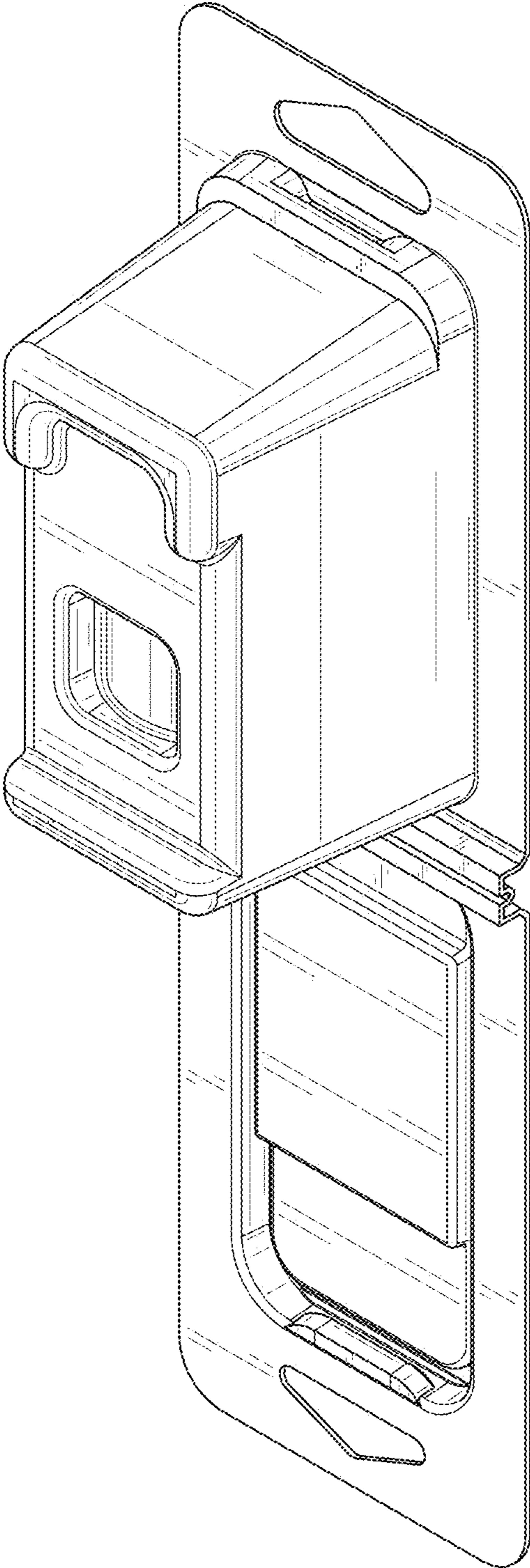


FIG. 1

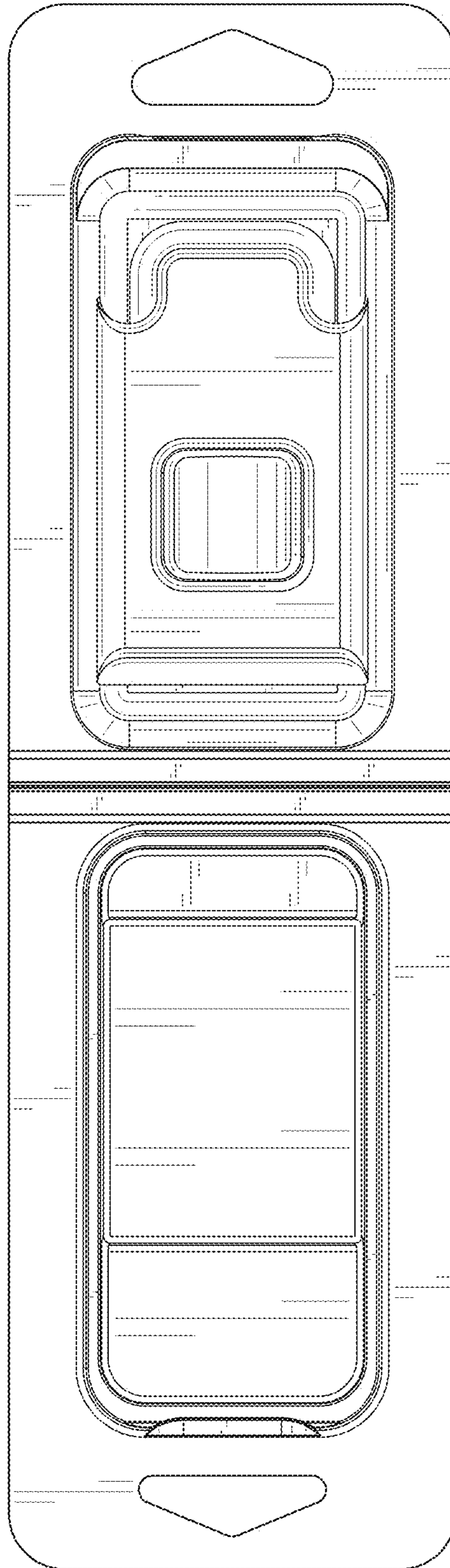


FIG. 2

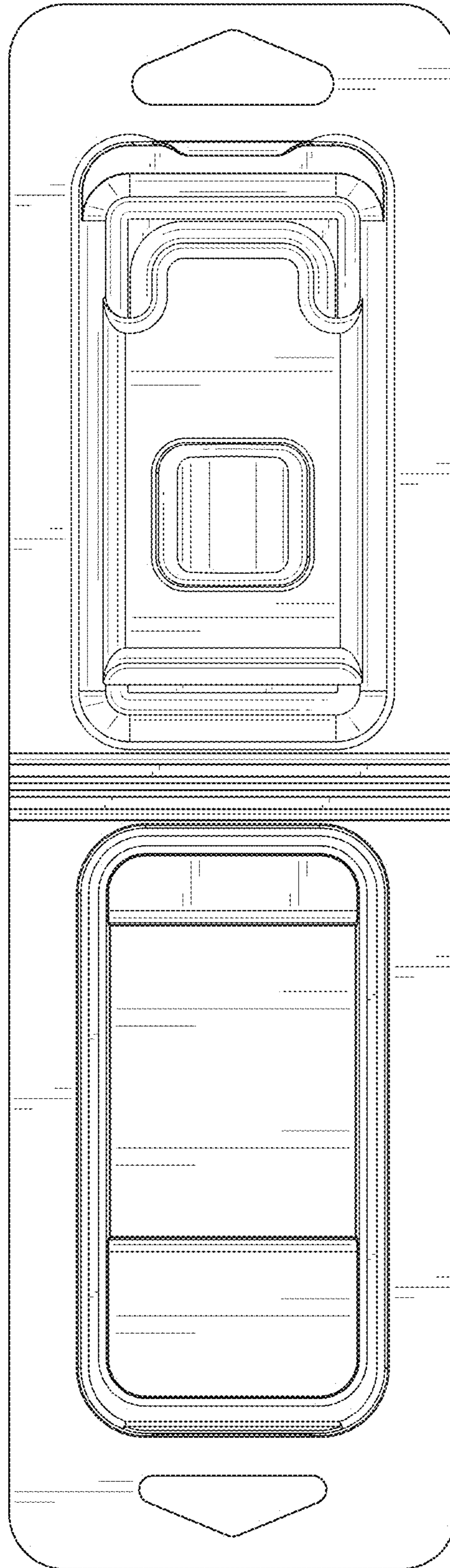


FIG. 3

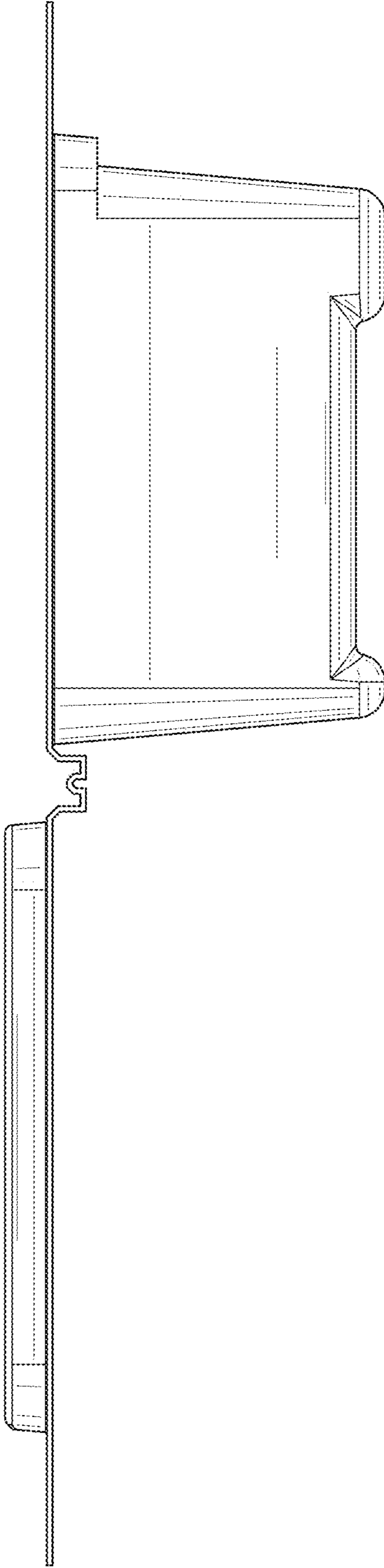


FIG. 4

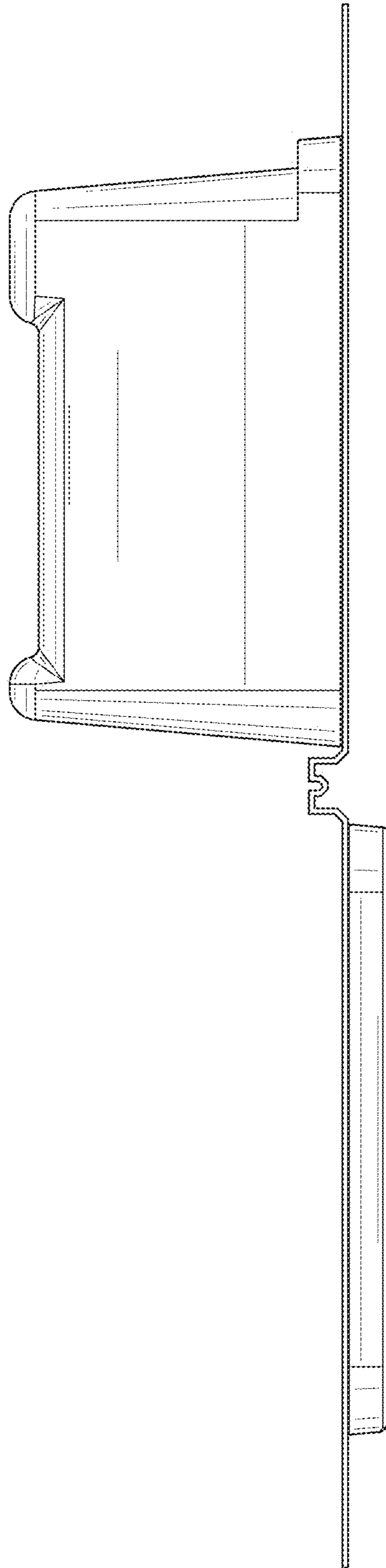


FIG. 5

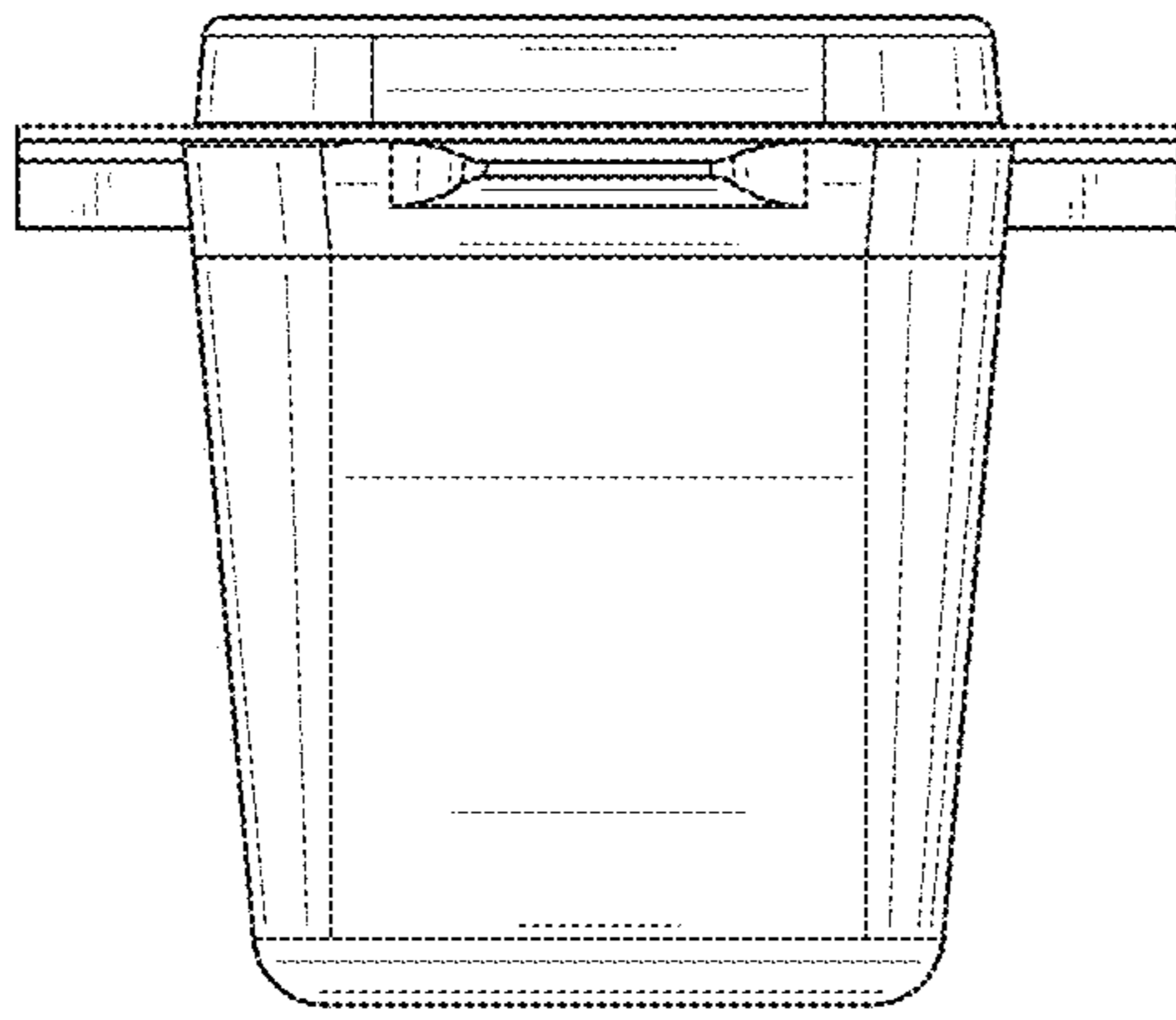


FIG. 6

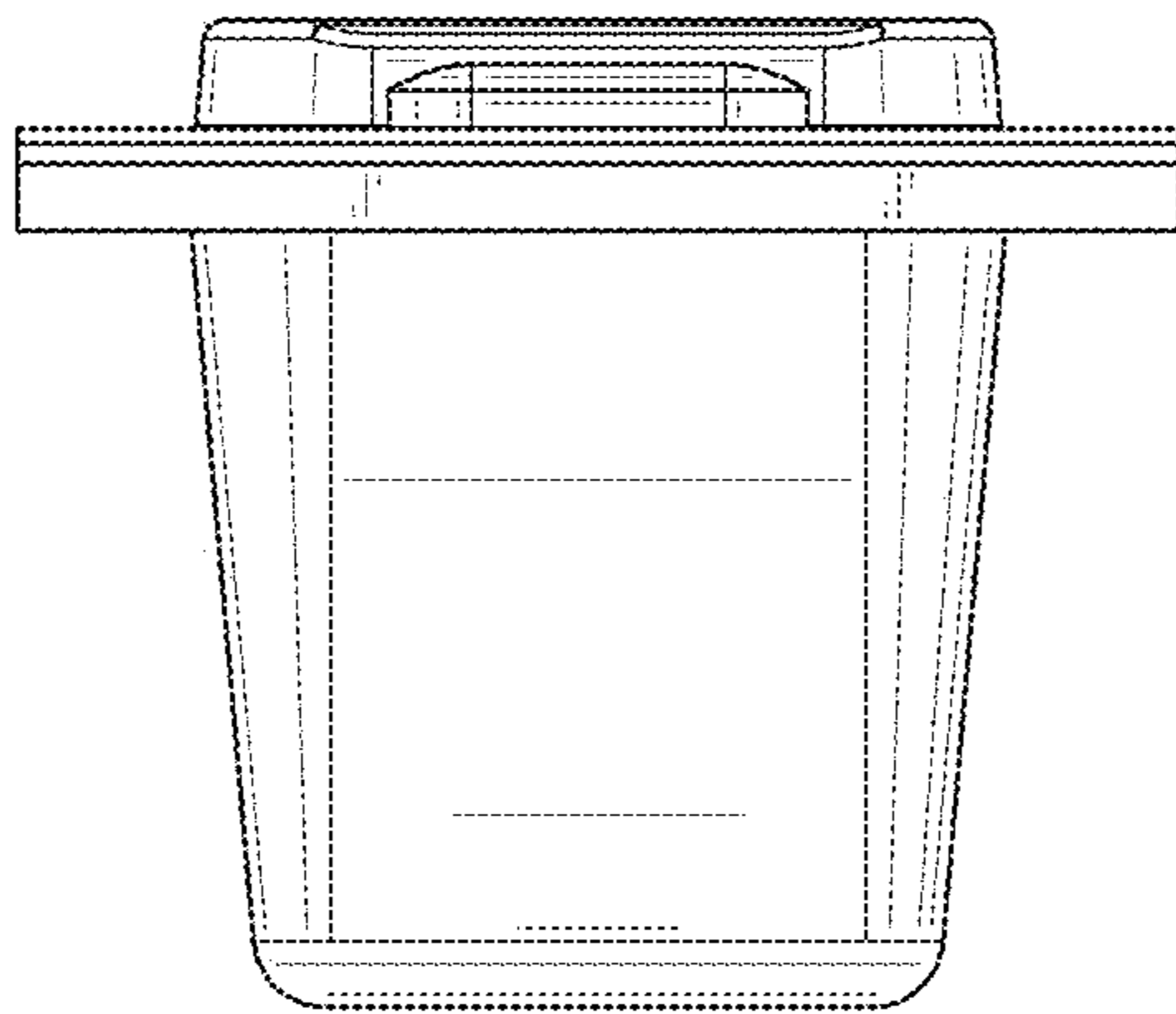


FIG. 7