



US00D933468S

(12) **United States Design Patent** (10) **Patent No.:** **US D933,468 S**
Hancock (45) **Date of Patent:** **** Oct. 19, 2021**

(54) **WALL PROTECTOR EXTENDER**
(71) Applicant: **Tate D. Hancock**, Wichita, KS (US)
(72) Inventor: **Tate D. Hancock**, Wichita, KS (US)
(**) Term: **15 Years**
(21) Appl. No.: **29/691,983**
(22) Filed: **May 21, 2019**

(51) **LOC (13) Cl.** **08-09**
(52) **U.S. Cl.**
USPC **D8/402**
(58) **Field of Classification Search**
USPC D8/374–375, 321–322, 402, 300,
D8/380–381, 499, 400; D25/138, 140;
D21/715
CPC A47B 2230/0077; A47B 2230/0081; A47B
47/025; A47B 47/042; E04F 19/026;
E04F 11/1804

See application file for complete search history.

(56) **References Cited**

U.S. PATENT DOCUMENTS

D27,468 S 8/1897 Smith
D28,857 S 6/1898 Taplin
D89,325 S 2/1933 Wolfman
D122,800 S 10/1940 Mann et al.
D235,620 S 7/1975 Forseth
D288,291 S 2/1987 Angle
D288,525 S 3/1987 Angle
4,694,863 A * 9/1987 Klopp F16L 57/005
138/96 R
D324,170 S 2/1992 Ownes et al.
D328,419 S * 8/1992 Brayford D8/322
D329,590 S * 9/1992 Chapman D8/322
D336,843 S * 6/1993 Hurst D8/374
D352,889 S 11/1994 Crowther et al.
D366,616 S * 1/1996 Knickerbocker D9/445
D368,022 S 3/1996 Angle
D379,922 S * 6/1997 Adams D8/402

D403,750 S 1/1999 Fabian
D404,992 S * 2/1999 Sittig D8/374
D407,303 S 3/1999 Engberg
D412,106 S 6/1999 Kennard, IV
D418,745 S 1/2000 Berger
D433,320 S 11/2000 Ware et al.
D438,784 S * 3/2001 Berger D8/402
D481,624 S 11/2003 Miskill
D481,652 S 11/2003 Kamysiak
D486,061 S * 2/2004 Mullins D8/400

(Continued)

OTHER PUBLICATIONS

Baby Gate Wall Protector, Date Visited: Apr. 20, 2021, Wall Nanny,
Date Available: Apr. 20, 2021, www.wallnanny.com (Year: 2021).*

(Continued)

Primary Examiner — Susan Bennett Hattan
Assistant Examiner — Elizabeth S Ko
(74) *Attorney, Agent, or Firm* — Law Office of Mark
Brown, LLC; Christopher M. DeBacker

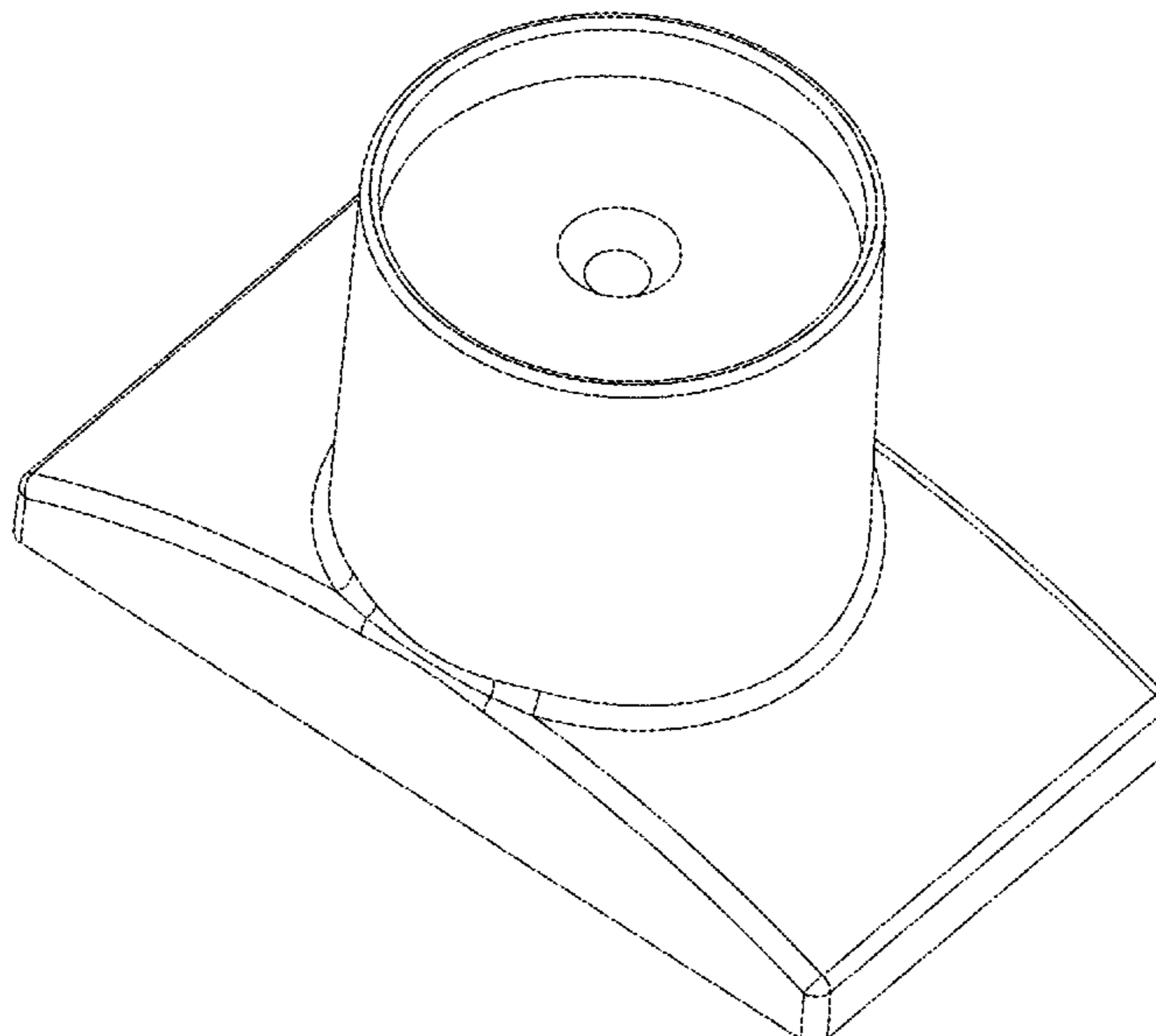
(57) **CLAIM**

The ornamental design for a wall protector extender, as
shown and described.

DESCRIPTION

FIG. 1 is a top-down three-dimensional isometric view of a
wall protector extender according to the present design.
FIG. 2 is a bottom isometric view thereof;
FIG. 3 is a front elevational view thereof, the rear elevational
view being a mirror image of FIG. 3;
FIG. 4 is a top plan view thereof;
FIG. 5 is a bottom plan view thereof;
FIG. 6 is a sectional view taken about the line indicated in
FIG. 5; and,
FIG. 7 is a sectional view taken about the line indicated in
FIG. 4.

1 Claim, 7 Drawing Sheets



(56)

References Cited

U.S. PATENT DOCUMENTS

| | | | | |
|--------------|------|---------|------------------|----------------------|
| D493,095 | S * | 7/2004 | Sittig | D8/374 |
| 6,938,966 | B1 | 9/2005 | Rouwhorst et al. | |
| D526,189 | S | 8/2006 | Haymond | |
| D553,487 | S | 10/2007 | Quan | |
| D605,935 | S * | 12/2009 | Zeyfang | D8/402 |
| D668,138 | S | 10/2012 | Aquil | |
| D677,149 | S * | 3/2013 | Hammer | D8/402 |
| D683,425 | S * | 5/2013 | Koiwa | D23/214 |
| D721,418 | S * | 1/2015 | Koiwa | D23/214 |
| D721,419 | S * | 1/2015 | Koiwa | D23/214 |
| D741,690 | S | 10/2015 | Collins, IV | |
| D743,852 | S | 11/2015 | Rouzaud | |
| D772,695 | S | 11/2016 | Burge | |
| D772,696 | S | 11/2016 | Burge | |
| D783,386 | S | 4/2017 | Collins, IV | |
| D799,215 | S * | 10/2017 | Pacha | D3/318 |
| D821,191 | S * | 6/2018 | Hancock | D8/402 |
| D829,091 | S * | 9/2018 | Hancock | D8/402 |
| D837,638 | S * | 1/2019 | Sargent | D8/380 |
| D837,910 | S * | 1/2019 | Norcross | D21/715 |
| D862,212 | S * | 10/2019 | Moriarty | D8/374 |
| D889,941 | S * | 7/2020 | McCoy | D8/354 |
| D890,598 | S * | 7/2020 | Chase | D8/374 |
| 2004/0129186 | A1 | 7/2004 | Curiger | |
| 2004/0221539 | A1 | 11/2004 | Rouail | |
| 2008/0135567 | A1 | 6/2008 | McGee | |
| 2012/0023707 | A1 | 2/2012 | Edwards | |
| 2015/0305318 | A1 * | 10/2015 | Moriarty | F15B 15/18 43/113 |
| 2016/0352054 | A1 | 12/2016 | Xiang et al. | |
| 2017/0231399 | A1 | 8/2017 | Backus, III | |
| 2020/0026150 | A1 * | 1/2020 | Decker | G03B 11/041 |

OTHER PUBLICATIONS

Wall Door Knob Bumpers, Date Visited: Apr. 20, 2021, D. Lawless Hardware, Date Available: Apr. 20, 2021, <https://www.dlawlesshardware.com/knobbumper.html> (Year: 2021).*

Wall Nanny Amazon, Date Visited: Apr. 20, 2021, Amazon, Date Available: Nov. 14, 2019, <https://www.amazon.co.uk/Wall-Nanny-Extender-Extension-Stabilizes/dp/B081JB81L6> (Year: 2019).*

Wall Nanny Extender Delivers Options for Protecting, Date Visited: Apr. 15, 2021, Marketersmedia.com, Date Available: Feb. 25, 2020, <https://marketersmedia.com/wall-nanny-extender-delivers-options-for-protecting-parents-most-valuable-assets/88947676> (Year: 2020).*

“Baby Gate Wall Cups”, posted at amazon.com, posting date not given, [online], [site visited Mar. 23, 2018]. Available from Internet, URL: <https://www.amazon.com/Bumpers-Doorway-Baseboard-Pressure-Mounted/dp/B01L8B1RZG/> (Year: 2018).

“Baby Gate Wall Protector Cups”, posted at amazon.com, posting date not given, [online], [site visited Mar. 23, 2018]. Available from Internet, URL: <https://www.amazon.com/dp/B077M5ZD8L/> (Year: 2018).

“Low-Profile Wall Nanny”, posted at amazon.com, posting date Aug. 8, 2017, [online], [site visited Mar. 23, 2018]. Available From Internet, URL: <https://www.amazon.com/dp/B073XNMDNX/> (Year: 2017).

“Pressure Gate Wall Protector with Motion Sensor LED Nightlight”, posting date not given, [online], [site visited Mar. 23, 2018]. Available for internet, URL: <https://www.amazon.com-Indoor-Pressure-Protector-Motion-Nightlight/B06X16W1ZX> (Year: 2018).

“Prime Line Hexagon Wall Protector”, posted at homedepot.com, posting date not given, [online], [site visited Mar. 23, 2018]. Available from Internet, URL: <https://www.homedepot.com/p/Prinne-Line-5-in-Hexagon-Wall-Protector-U-9140/100546208> (Year: 2018).

“Wall Nanny”, posted at amazon.com, posting date Jan. 20, 2017, [online], [site visited Mar. 23, 2018]. Available from Internet, URL: <https://www.amazon.com/VVall-Nanny-Pack-Protector-Spindles/dp/B06XK2T96P/> (Year: 2017).

“Wall Protector 2x2”, posted at hdsupplysolutions.com, posting date not given, [online], [site visited Mar. 23, 2018]. Available from Internet, URL: <https://hdsupplysolutions.com/shop/p/wall-protector-2-x-2-self-adhesive-ivory-package-of-5-p807851> (Year: 2018).

“Wall Saver for Pressure Gates, 2 Pack, by Safety Innovations”, www.amazon.com product search, https://www.amazon.com/Wall-Saver-Pressure-Gates-Pack/dp/B00RYWO8BY/ref=sr_1_6_a_it?ie=UTF8&qid=1484754901&sr=8-6&keywords=wall+saver, Jan. 18, 2017, 1-14.

* cited by examiner

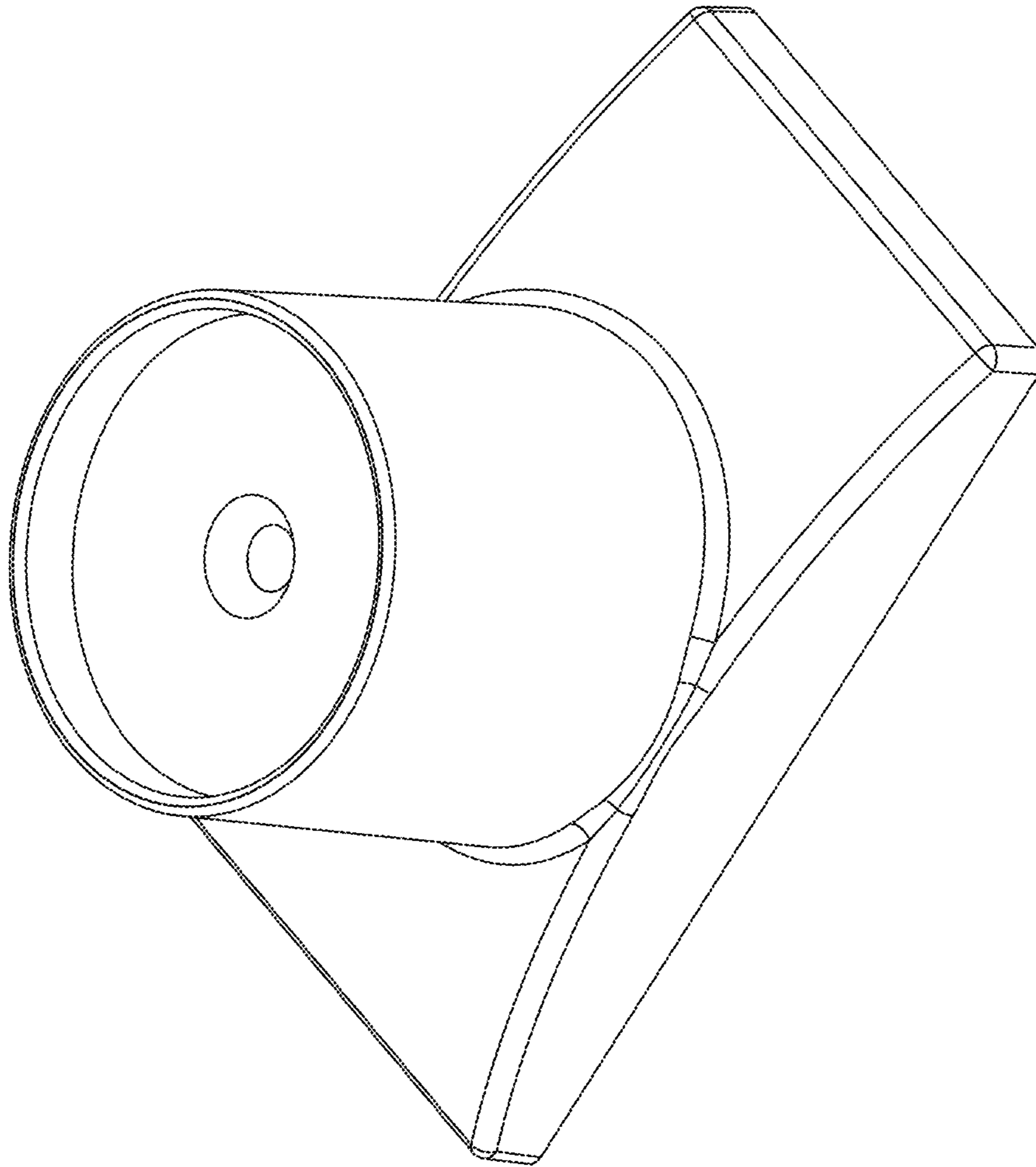


FIG. 1

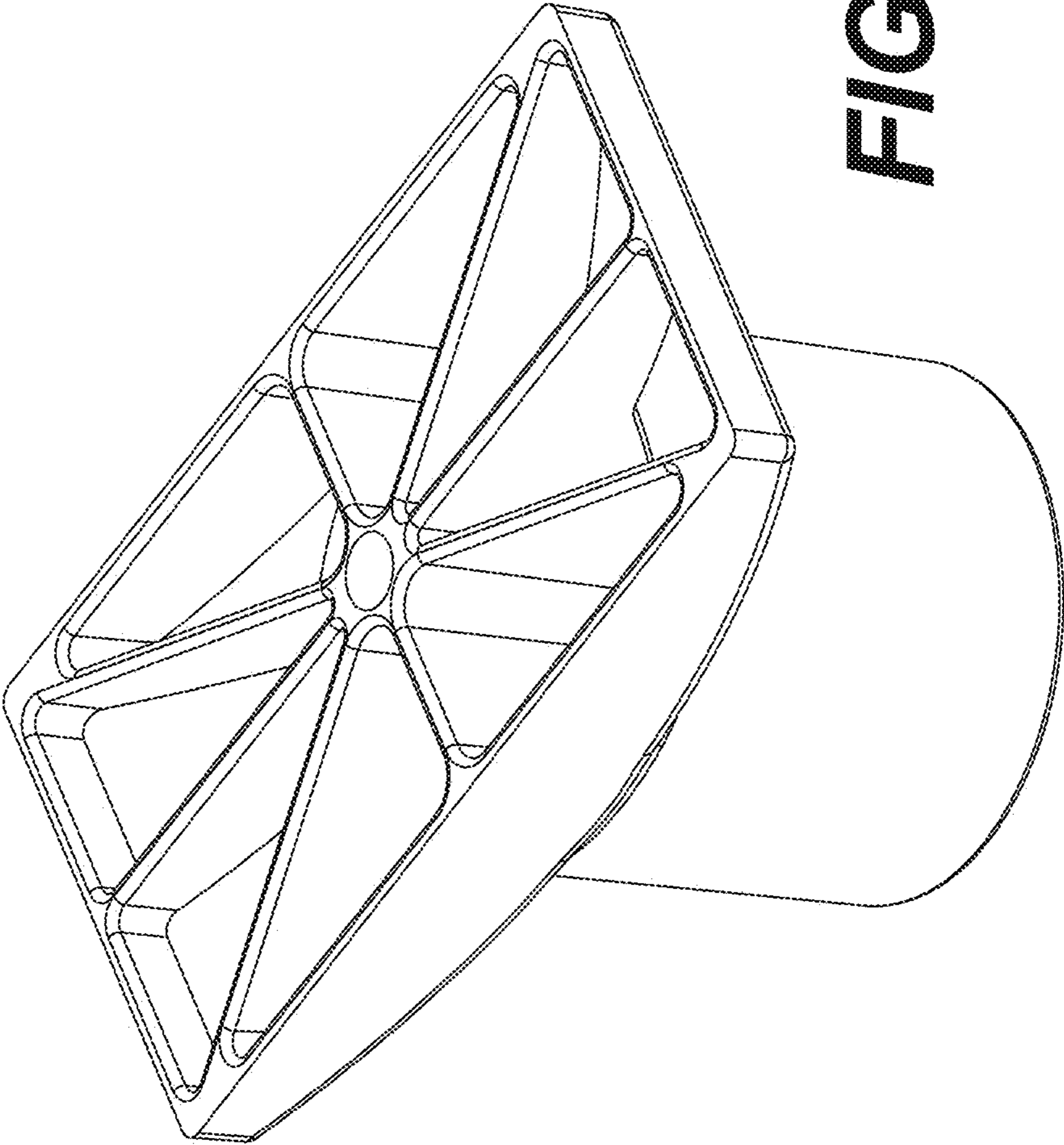


FIG. 2

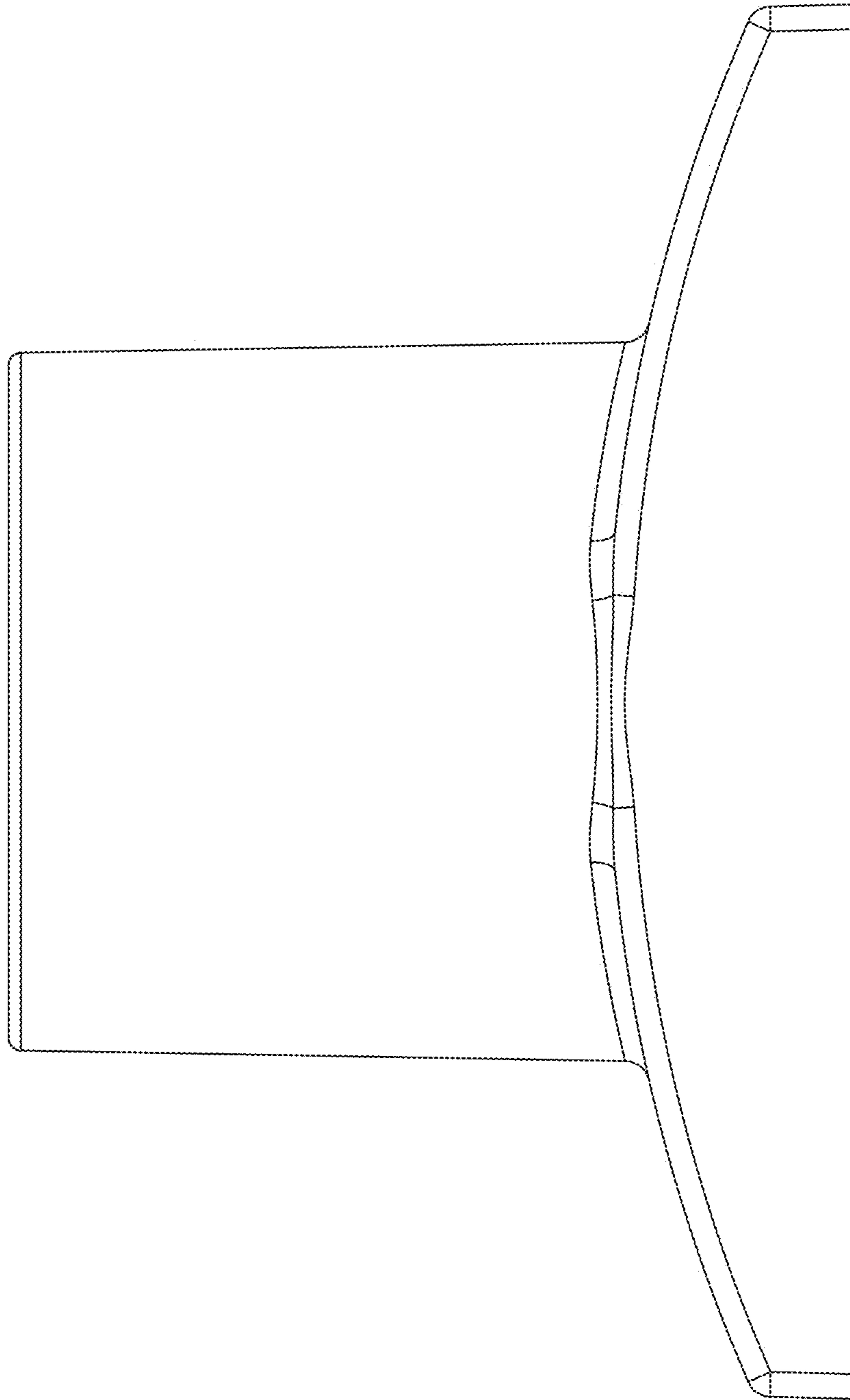


FIG. 3

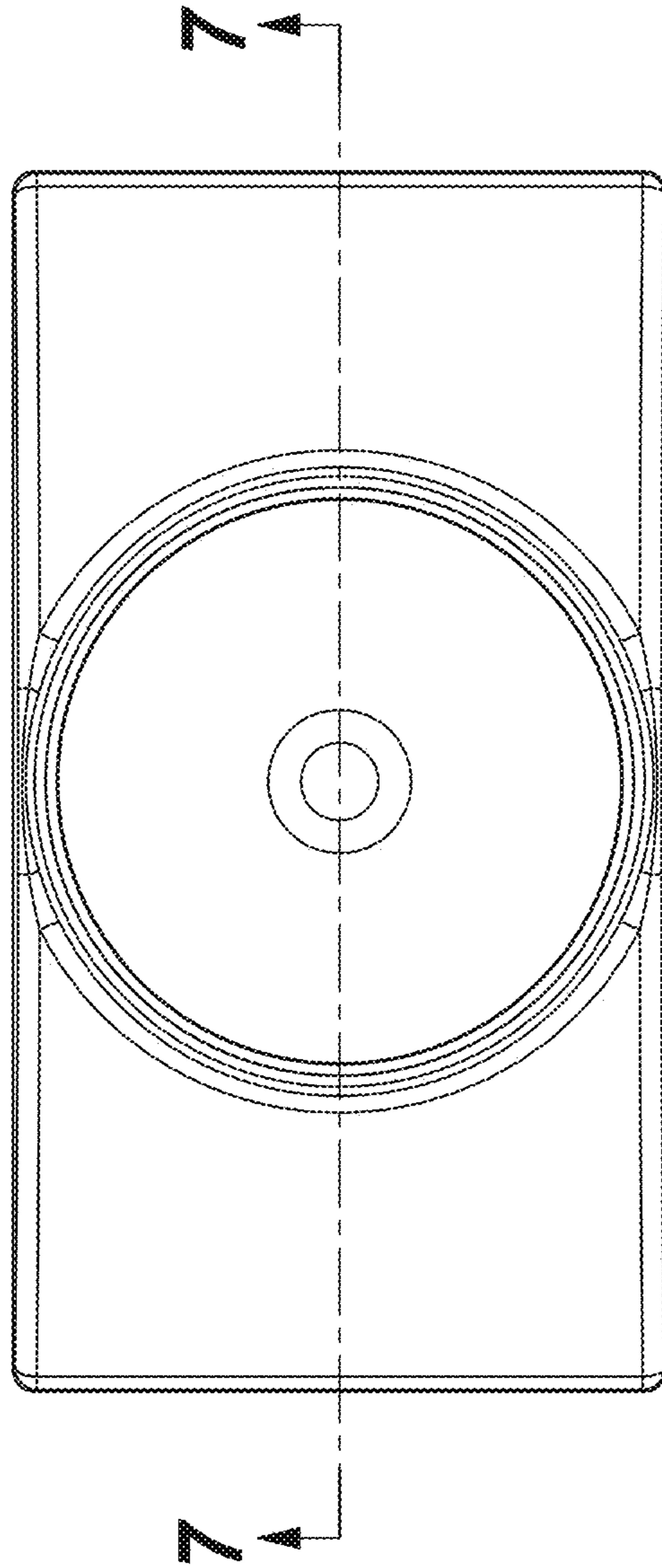


FIG. 4

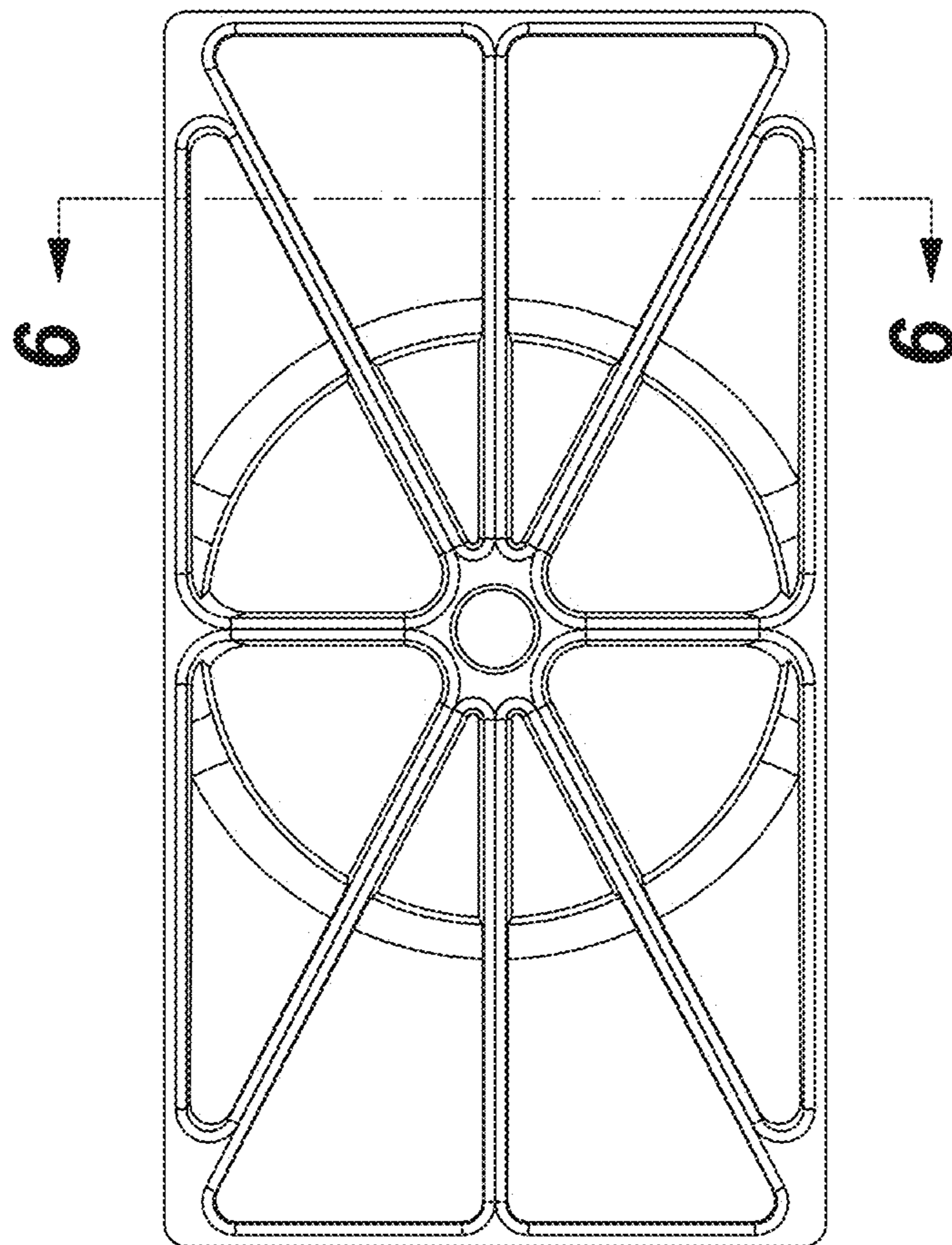


FIG. 5

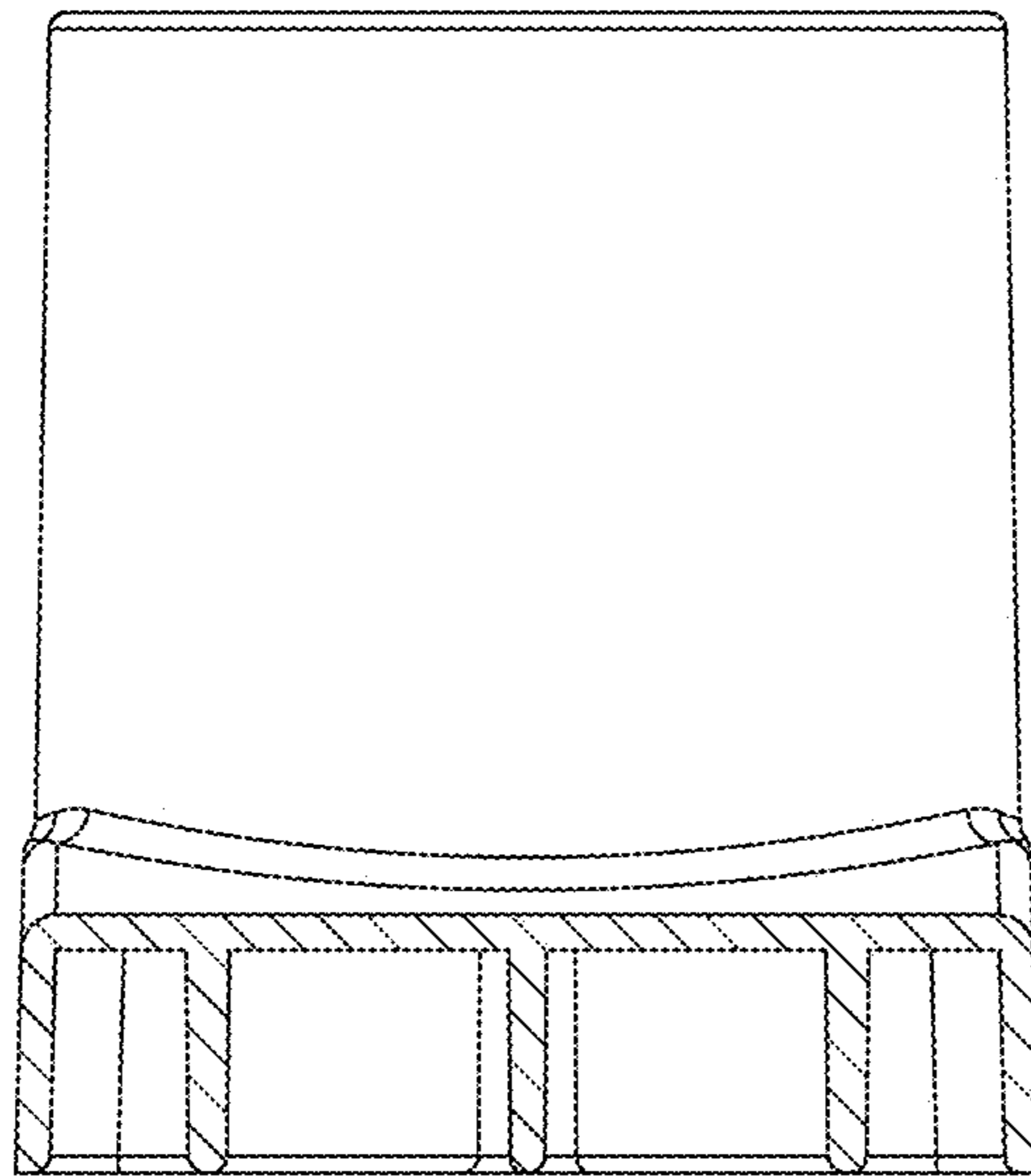


FIG. 6

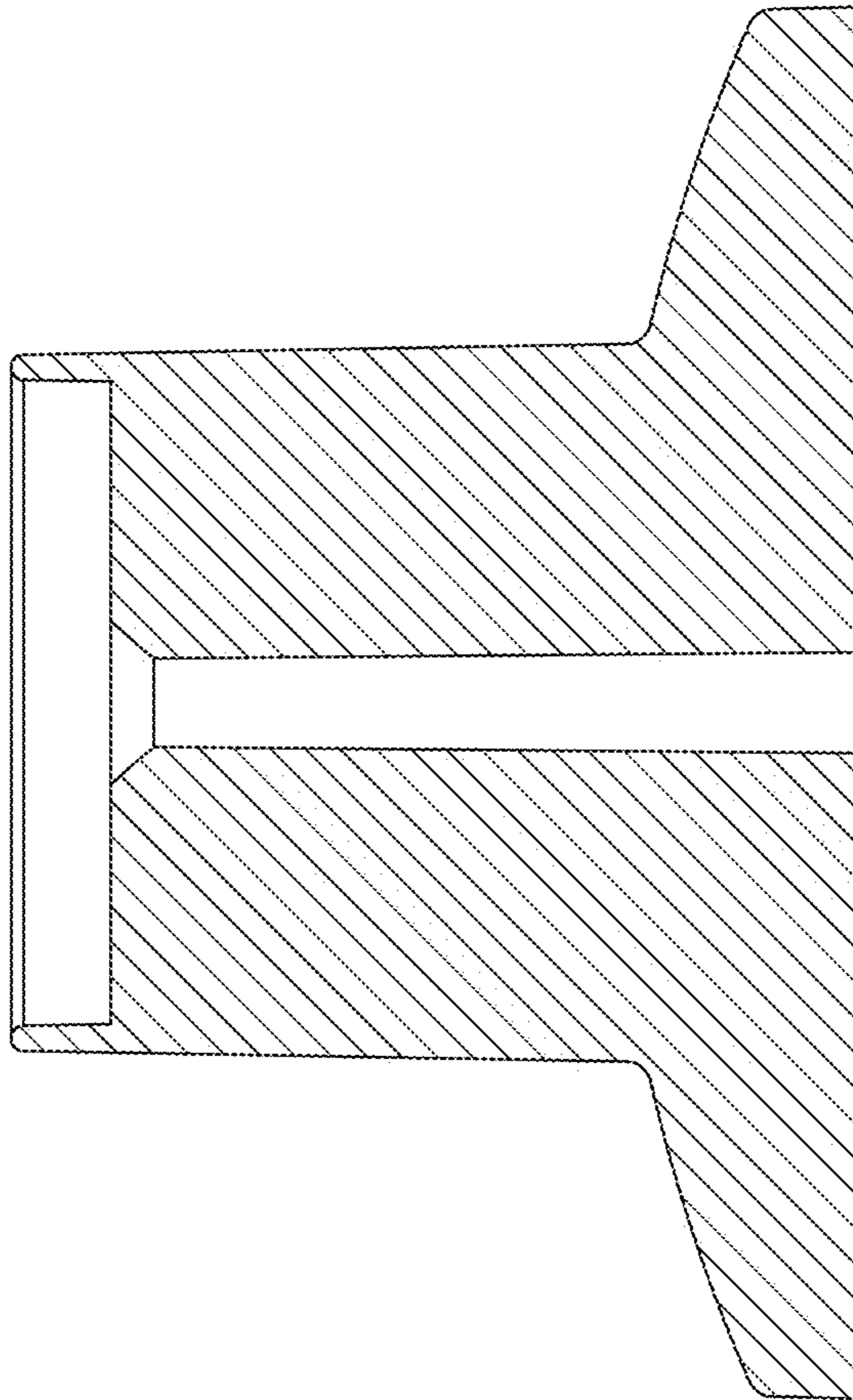


FIG. 7