



US00D933467S

(12) **United States Design Patent**  
**Von Fange**

(10) **Patent No.:** **US D933,467 S**  
(45) **Date of Patent:** **\*\* Oct. 19, 2021**

- (54) **GROUNDING CLAMP**
- (71) Applicant: **The Light Source, Inc.**, Charlotte, NC (US)
- (72) Inventor: **Eric E. Von Fange**, Charlotte, NC (US)
- (73) Assignee: **The Light Source, Inc.**, Charlotte, NC (US)
- (\*\*) Term: **15 Years**
- (21) Appl. No.: **29/715,772**
- (22) Filed: **Dec. 4, 2019**
- (51) **LOC (13) Cl.** ..... **08-08**
- (52) **U.S. Cl.**  
USPC ..... **D8/396**
- (58) **Field of Classification Search**  
USPC ..... D8/72-73, 367, 394-396; D23/259, 269; D24/155  
CPC ..... H01R 13/639; F16B 45/02; F16B 2/06; A61F 5/448; F16L 33/06; F16L 37/00; F16L 23/06  
See application file for complete search history.

- D735,025 S \* 7/2015 Mathien ..... D8/396
  - D798,136 S \* 9/2017 Pittman ..... D8/382
  - D807,137 S \* 1/2018 Whitaker ..... D8/72
  - D813,657 S \* 3/2018 Bowman ..... D8/395
- (Continued)

**FOREIGN PATENT DOCUMENTS**

EM 006204525-0001 \* 2/2019

**OTHER PUBLICATIONS**

NPL Mega-Coupler Grounder Light Source website INternet Wayback Machine date Sep. 25, 2020, site visited Jul. 31, 2021, <https://web.archive.org/web/20200925164708/https://www.thelightsource.com/products/mega-coupler-grounder-222>.\*

*Primary Examiner* — John R Yeh  
(74) *Attorney, Agent, or Firm* — Schwartz Law Firm, P.C.

(57) **CLAIM**

I claim the ornamental design for a grounding clamp, as shown and described.

**DESCRIPTION**

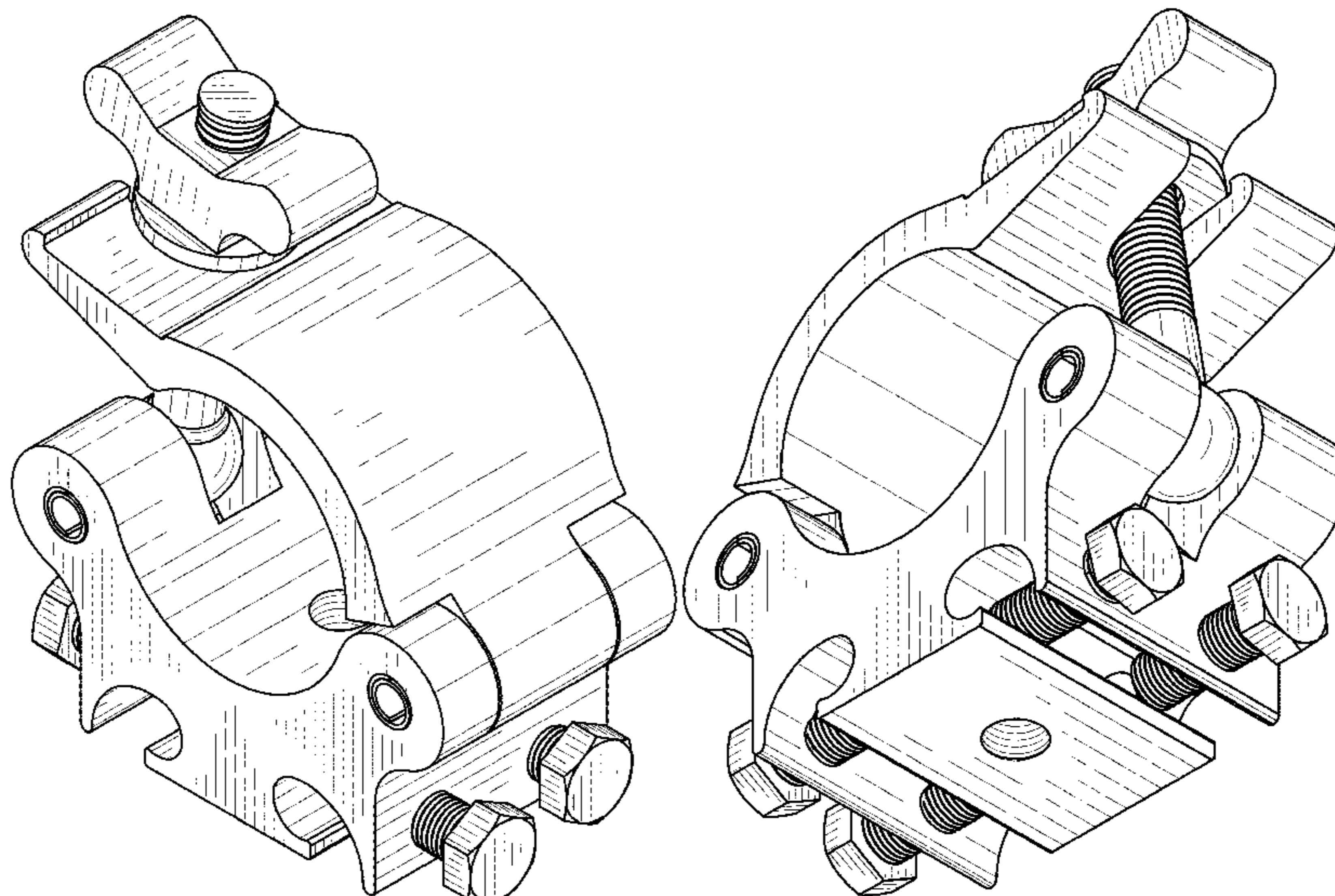
FIG. 1 is a first front perspective view of the grounding clamp;  
FIG. 2 is a second front perspective view of the grounding clamp;  
FIG. 3 is a top perspective view of the grounding clamp;  
FIG. 4 is a bottom perspective view of the grounding clamp;  
FIG. 5 is a right side view of the grounding clamp;  
FIG. 6 is a left side view of the grounding clamp;  
FIG. 7 is a front view of the grounding clamp;  
FIG. 8 is a rear view of the grounding clamp;  
FIG. 9 is a top view of the grounding clamp; and,  
FIG. 10 is a bottom view of the grounding clamp.  
The conductive grounding wire and metal pipe shown in FIG. 1 in broken-lines are included for environmental purposes and form no part of the claimed design.

**1 Claim, 10 Drawing Sheets**

(56) **References Cited**

**U.S. PATENT DOCUMENTS**

- D295,723 S \* 5/1988 Shioda ..... D8/380
- D298,802 S \* 12/1988 Tekirian ..... D8/396
- D317,927 S \* 7/1991 Kern ..... D15/135
- D376,974 S \* 12/1996 Chen ..... 24/274 WB
- 6,030,006 A \* 2/2000 Lin ..... F16L 23/10  
24/279
- 6,533,333 B1 \* 3/2003 Radzik ..... F16L 17/04  
285/366
- D536,607 S \* 2/2007 Bekkevold ..... D8/396
- D562,677 S \* 2/2008 Farber ..... D8/380
- D629,496 S \* 12/2010 Madara ..... D23/262
- D700,835 S \* 3/2014 Langlois ..... D8/396
- D708,053 S \* 7/2014 Marini ..... D8/396
- D711,730 S \* 8/2014 McKierman ..... D8/396
- D721,950 S \* 2/2015 Quinlan ..... D8/396



(56)

**References Cited**

U.S. PATENT DOCUMENTS

D850,900	S	*	6/2019	Yesavage .....	D8/396
D861,472	S	*	10/2019	Sillitoe .....	D8/394
D865,881	S	*	11/2019	Muir .....	D21/694
10,687,853	B2	*	6/2020	Riccione .....	A61B 17/6433
D889,611	S	*	7/2020	Lippka .....	D23/262
D909,843	S	*	2/2021	Van Hulst .....	D8/72
D926,019	S	*	7/2021	Orikawa .....	E05B 73/00
					D8/343

\* cited by examiner

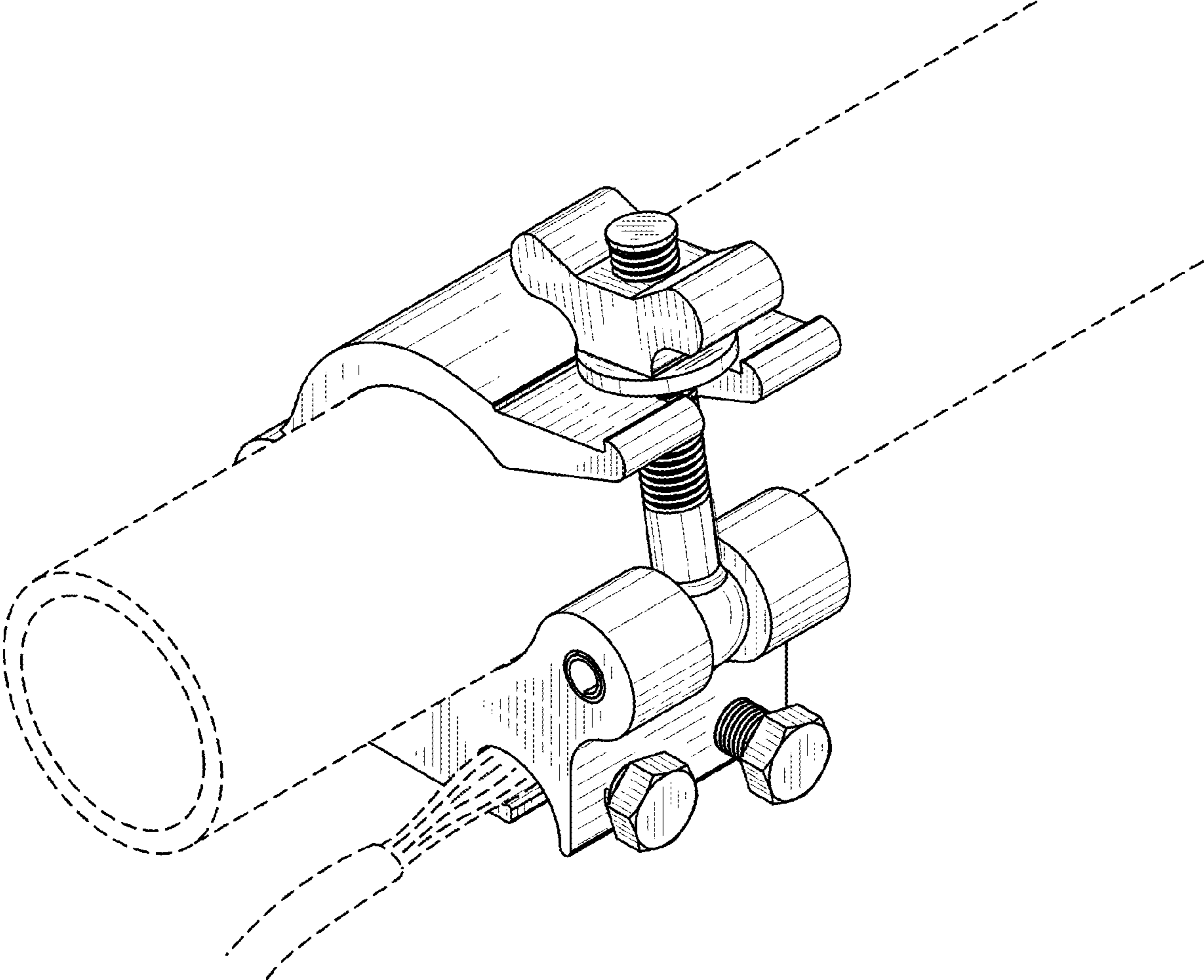


FIG. 1

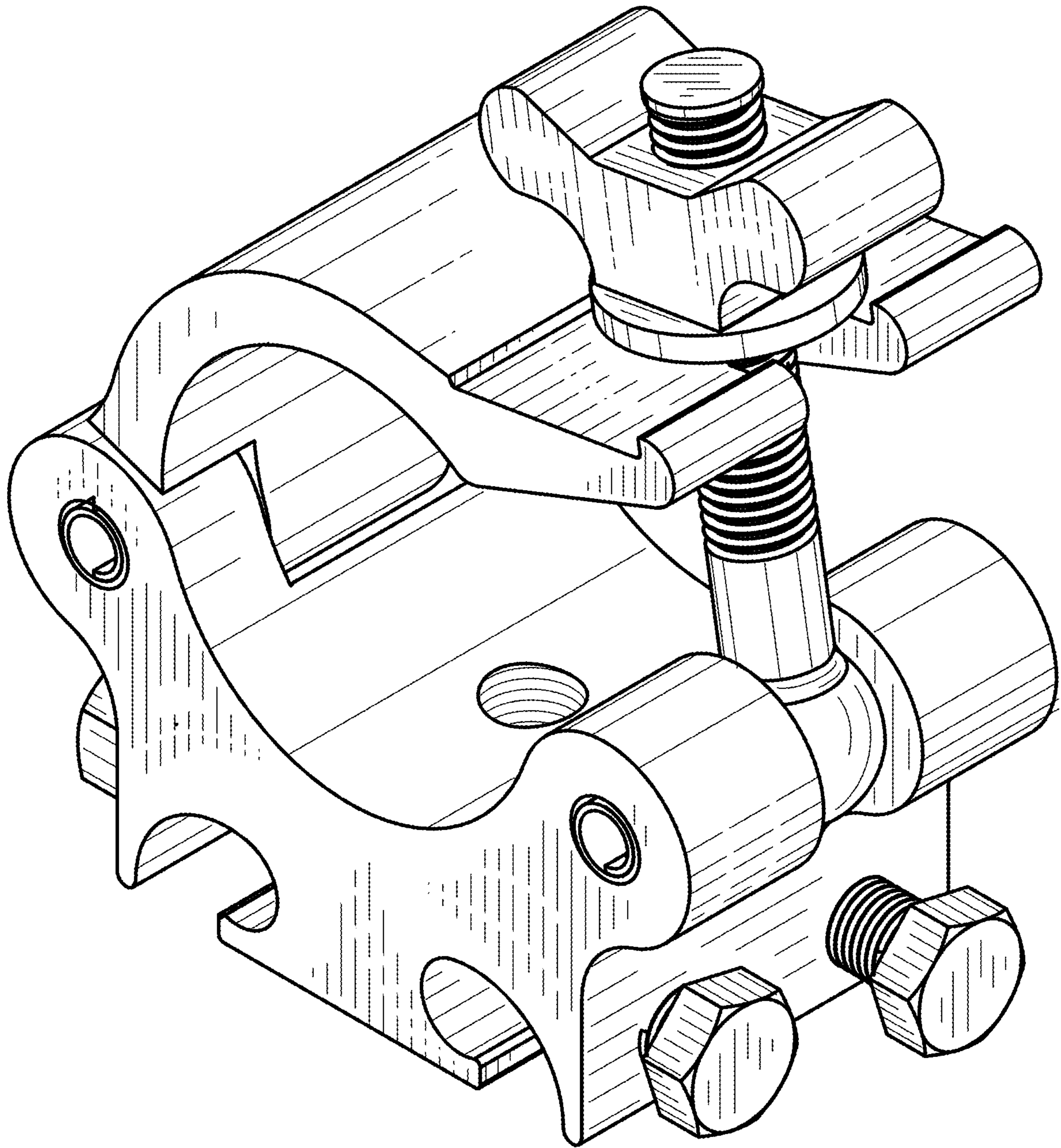


FIG. 2

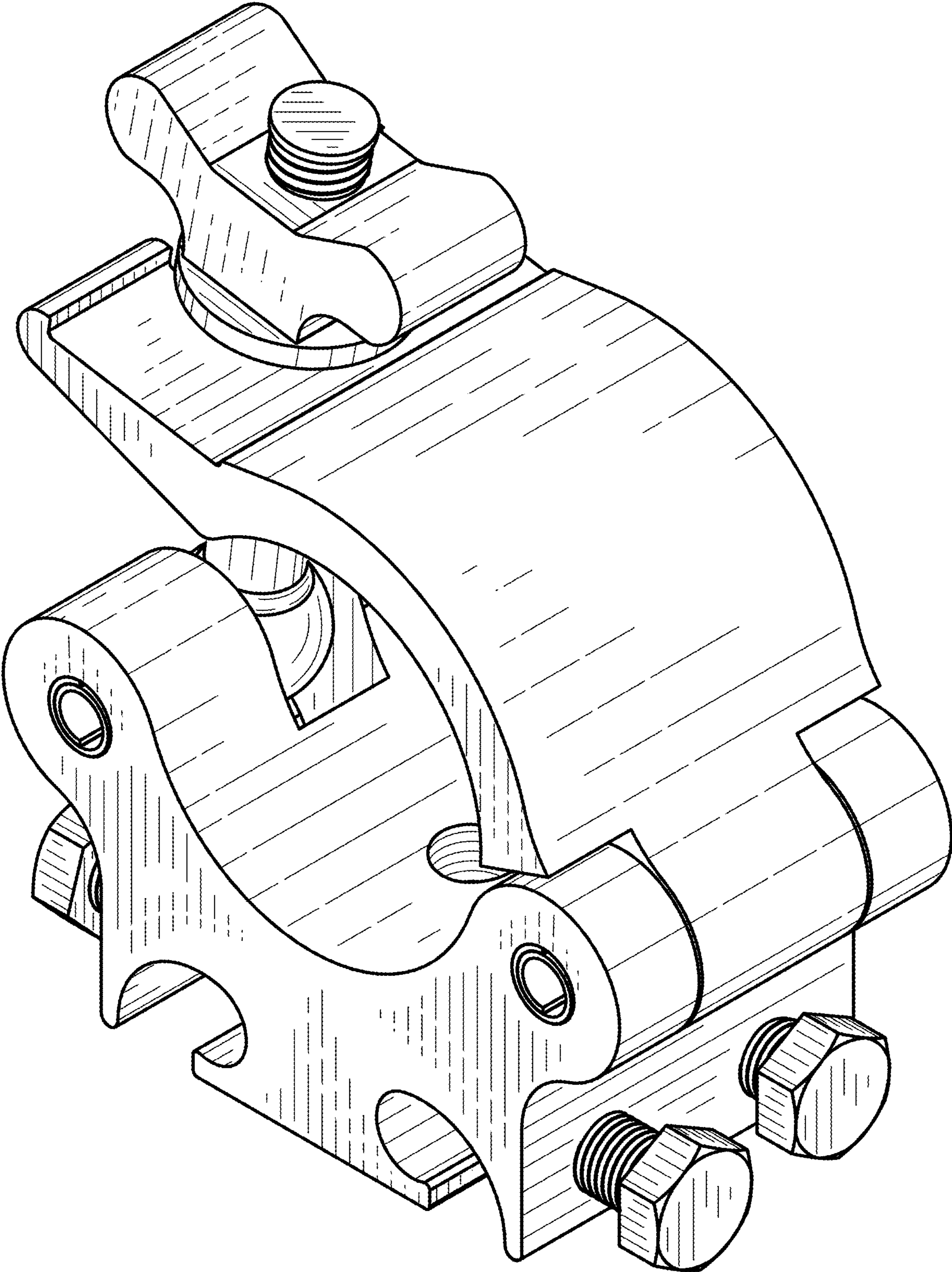


FIG. 3

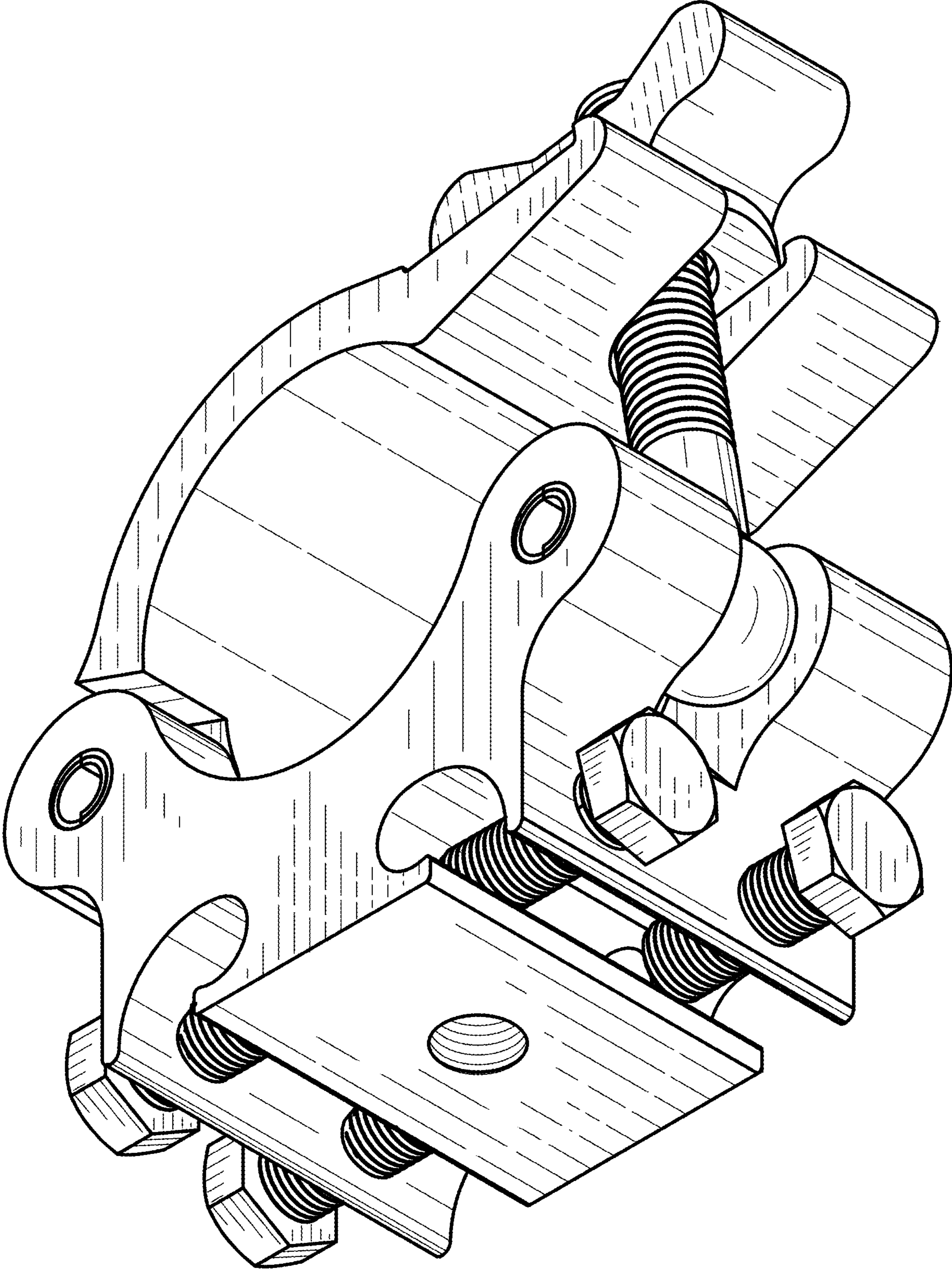


FIG. 4

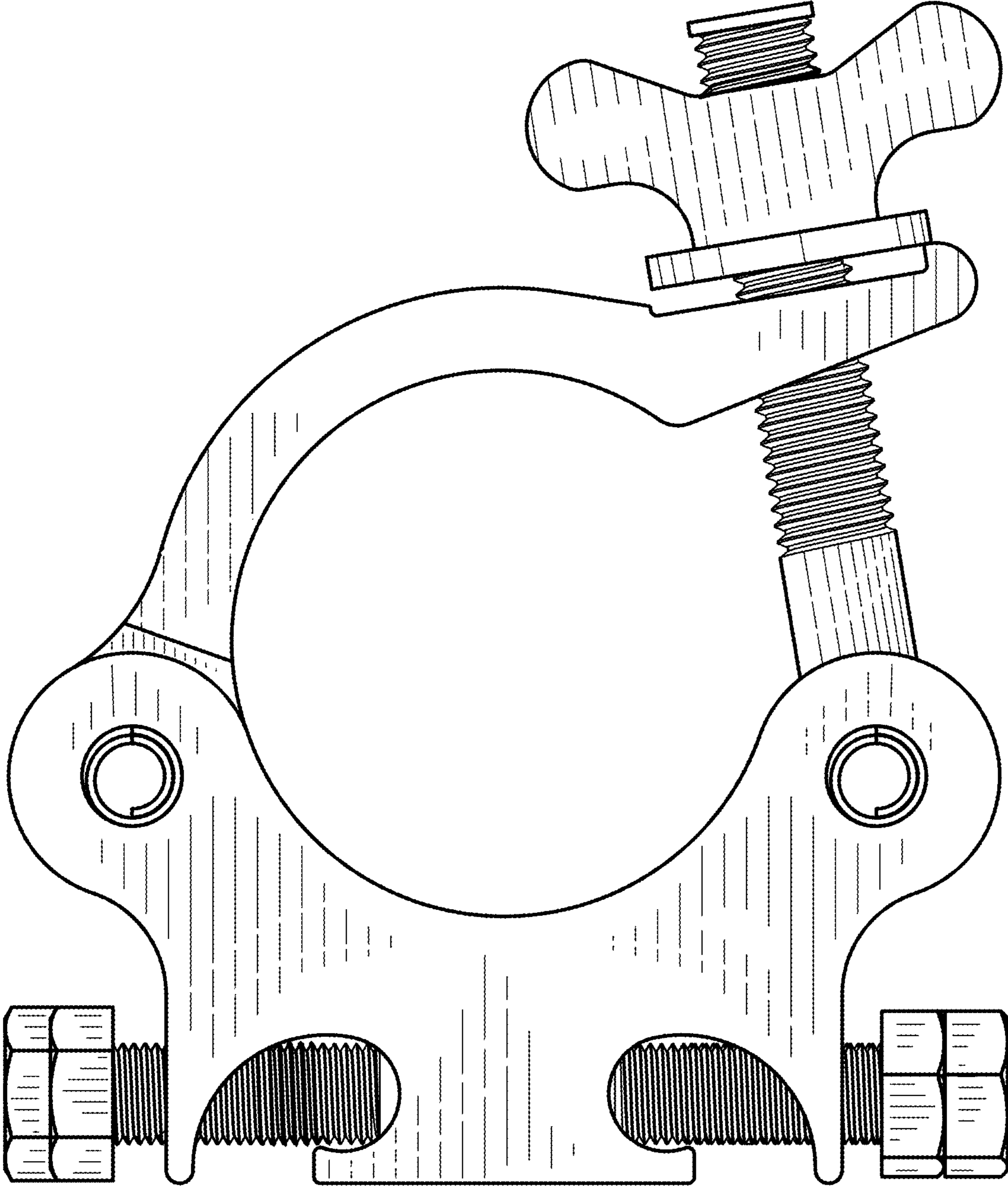


FIG. 5

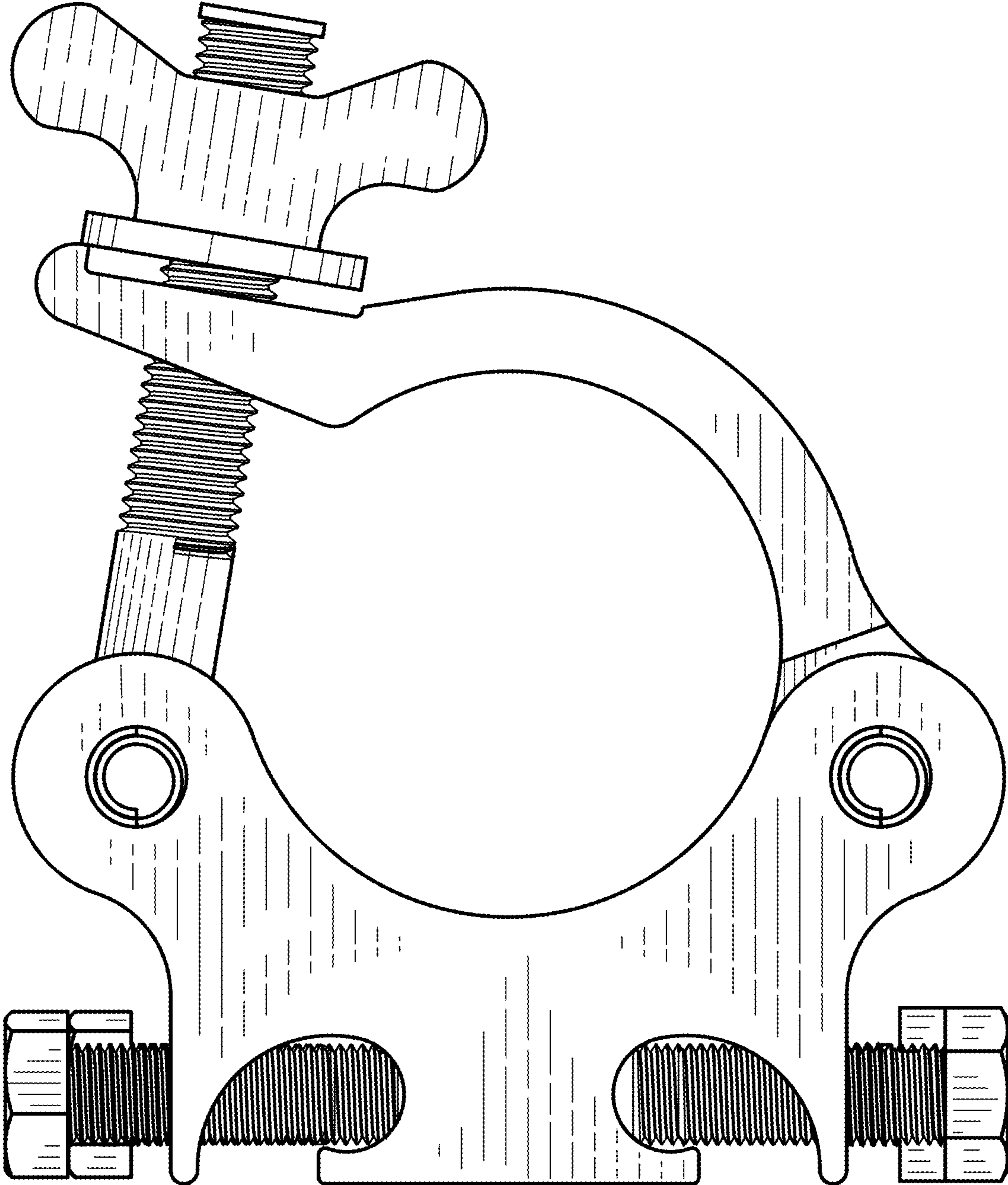


FIG. 6



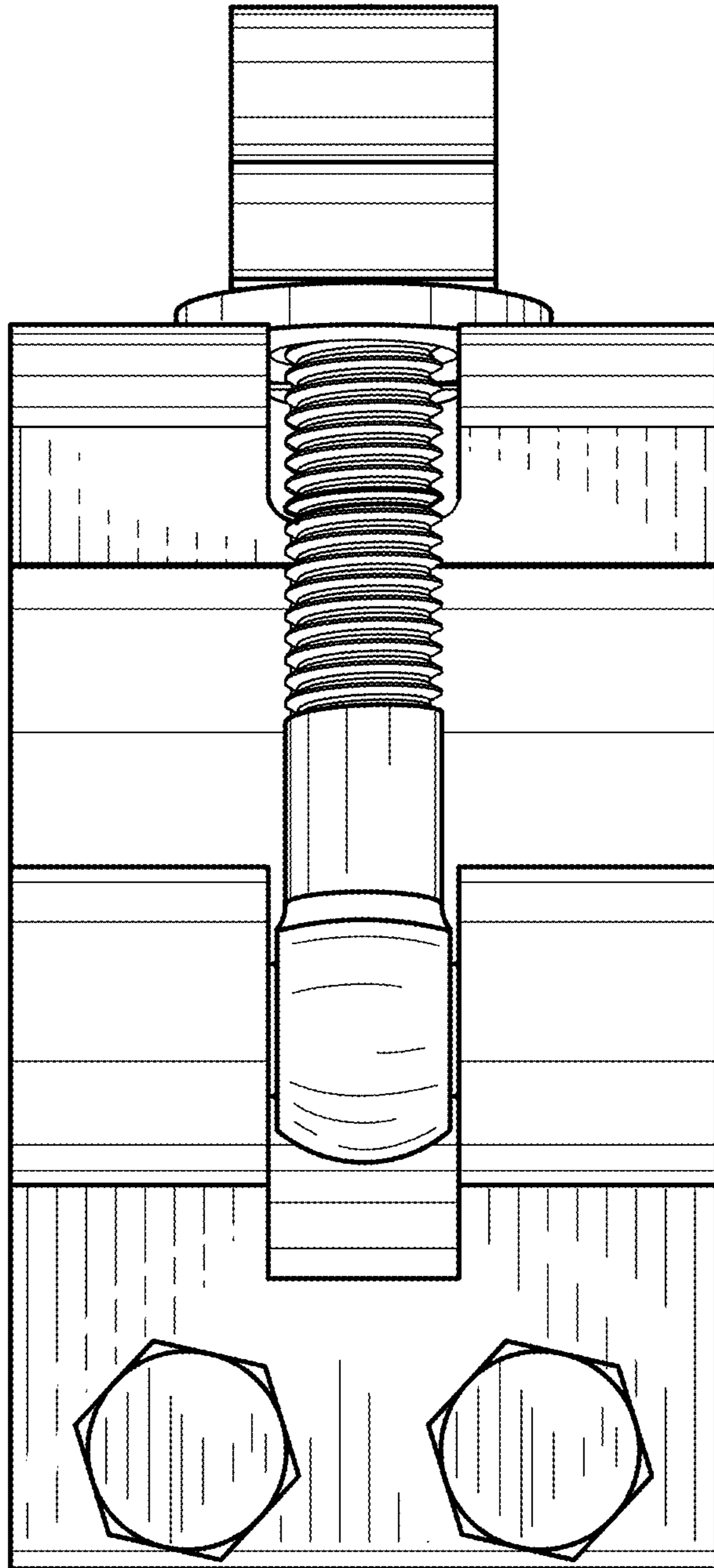


FIG. 7

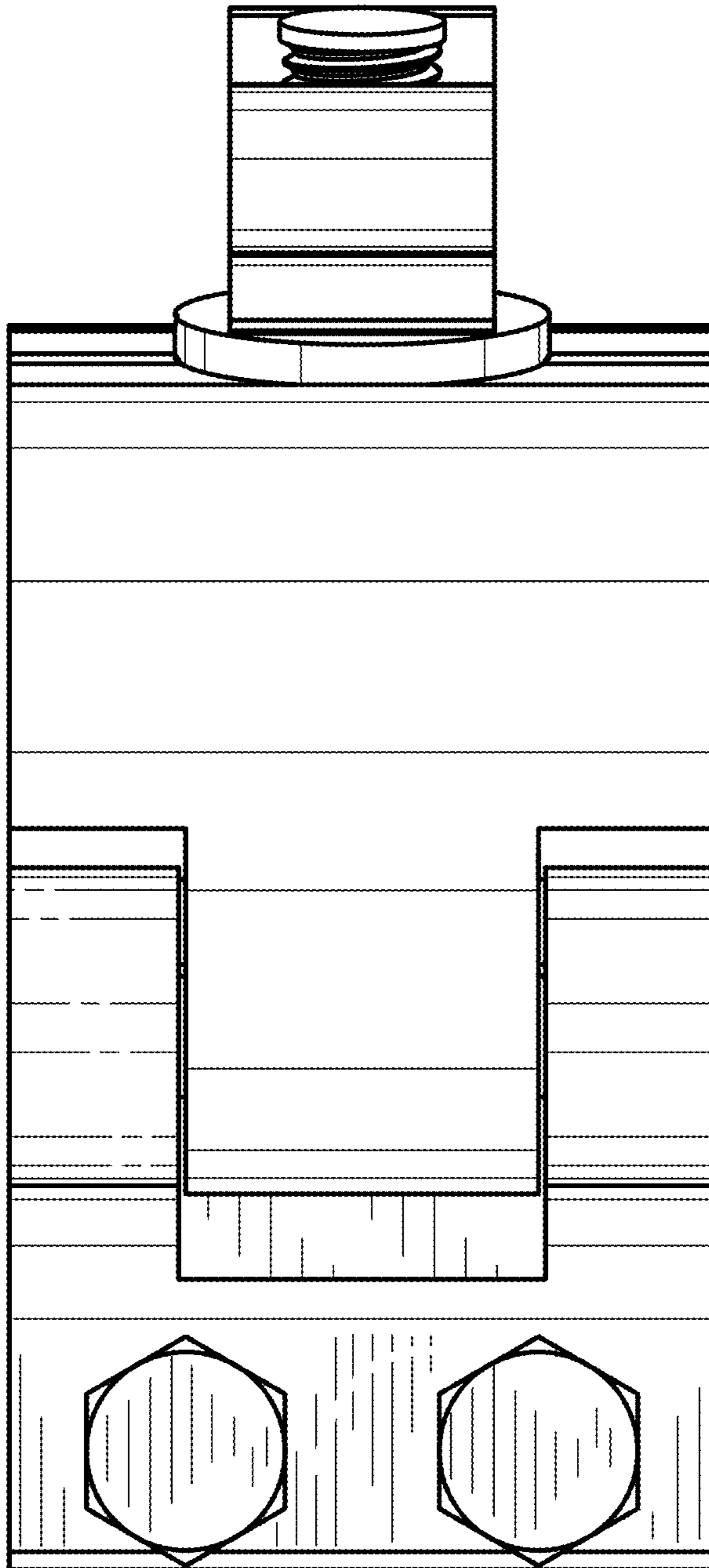


FIG. 8

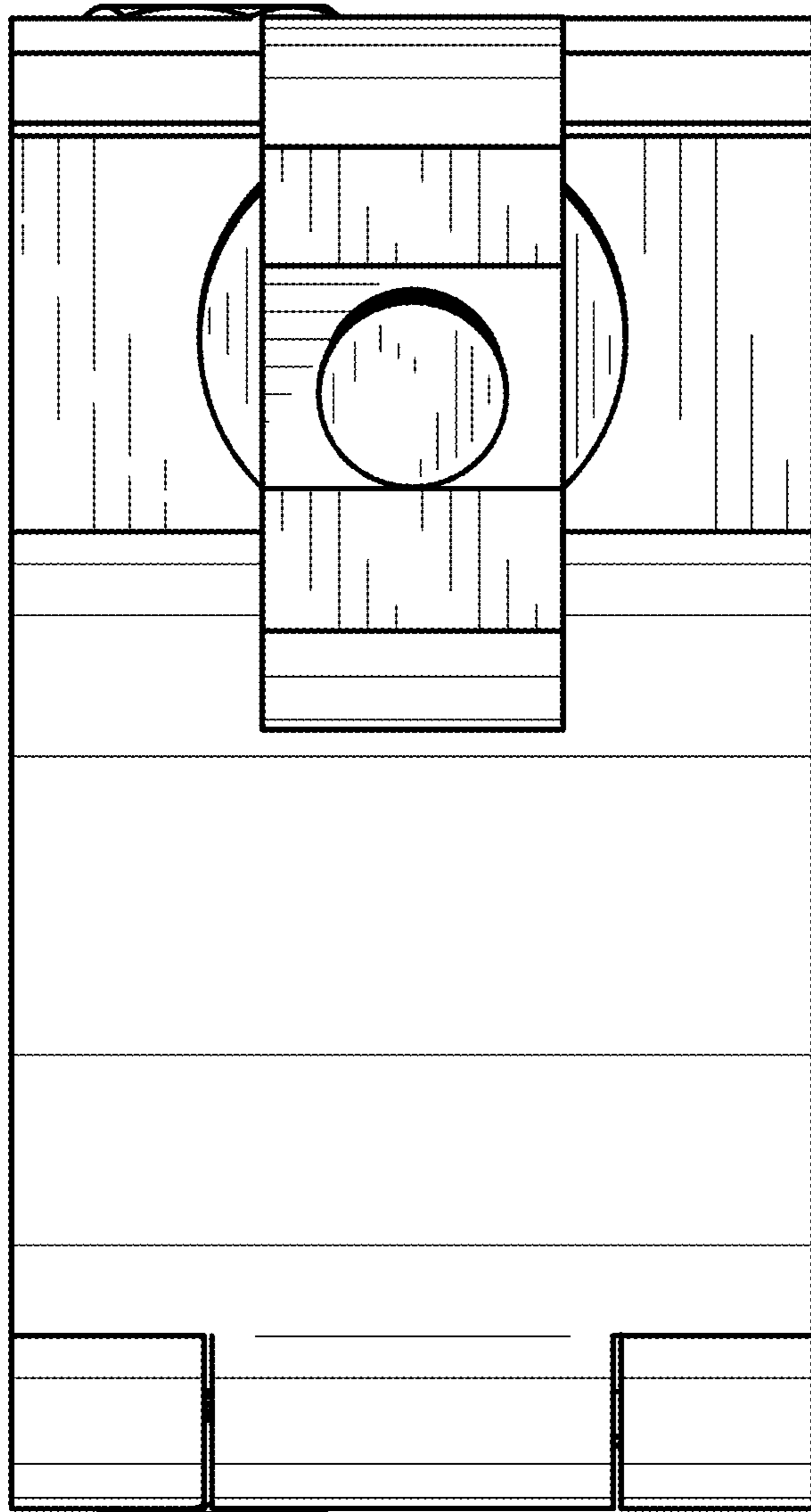


FIG. 9

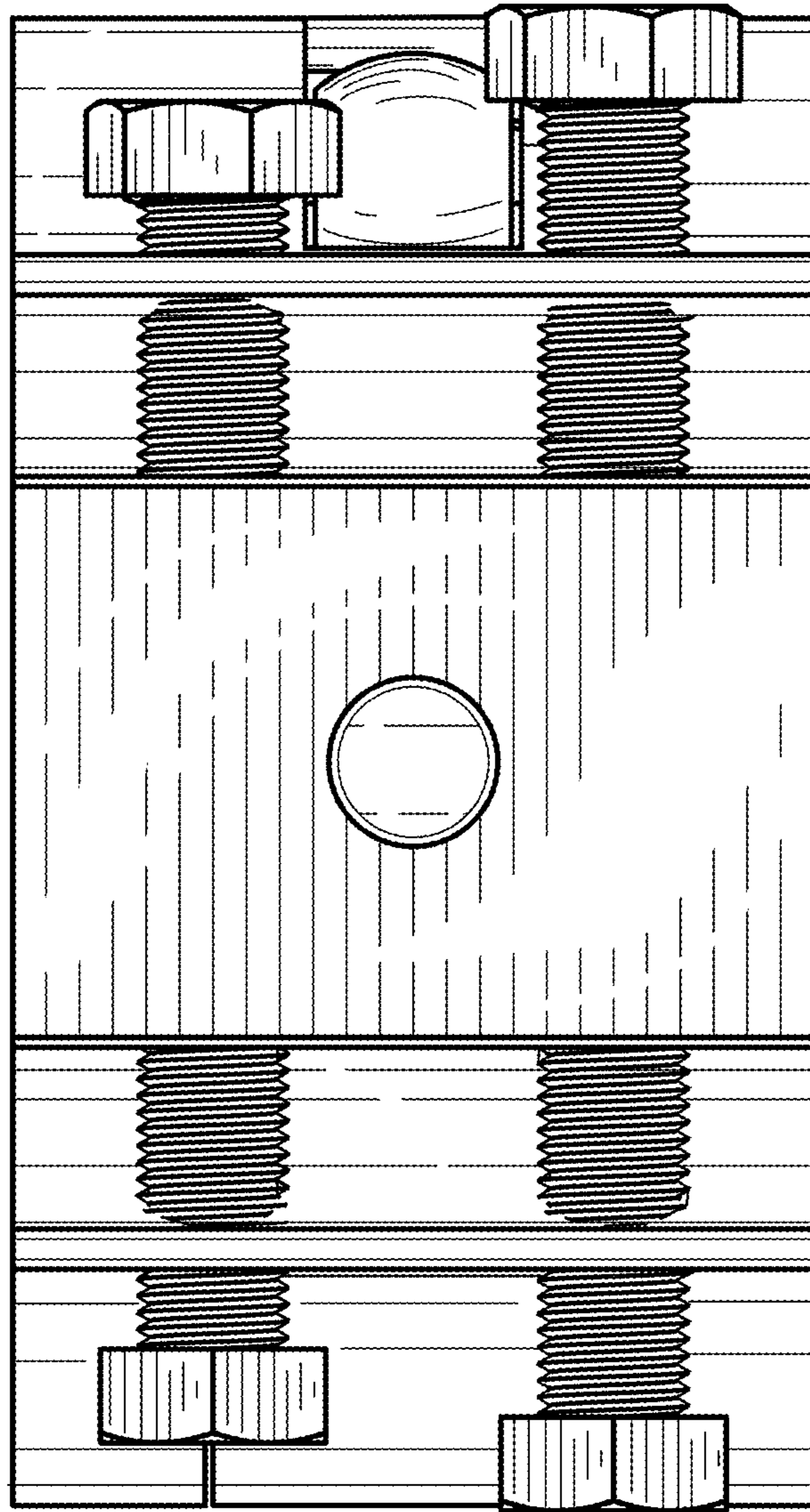


FIG. 10