



US00D933466S

(12) **United States Design Patent Grant** (10) **Patent No.:** **US D933,466 S**
(45) **Date of Patent:** **** Oct. 19, 2021**

(54) **CLIP FOR STAND FOR PLANAR AIR FRESHENER**

D410,573 S * 6/1999 McKibbin D32/61
D417,141 S * 11/1999 Senninger D8/395
D425,771 S * 5/2000 Dearing D8/71

(Continued)

(71) Applicant: **Xing Gung Manufacturing USA, Inc.**,
Rowland Heights, CA (US)

FOREIGN PATENT DOCUMENTS

(72) Inventor: **Matt Grant**, Rowland Heights, CA
(US)

CN 302899973 * 8/2014

(73) Assignee: **Xing Gung Manufacturing USA, Inc.**,
Rowland Heights, CA (US)

OTHER PUBLICATIONS

(**) Term: **15 Years**

Refresh Your Car Vent Sticks, Amazon reviews 2017, <https://www.amazon.com/Refresh-Your-Car-Driven-E300889401/dp/B00FGPY8K2/ref=asc...> site visited Jul. 31, 21.*

(21) Appl. No.: **29/722,949**

Primary Examiner — John R Yeh

(22) Filed: **Feb. 3, 2020**

(74) *Attorney, Agent, or Firm* — Wright Lindsey Jennings, LLP; Meredith Lowry

(51) **LOC (13) Cl.** **08-08**

(57) **CLAIM**

(52) **U.S. Cl.**
USPC **D8/394**

The ornamental design for a clip for a stand for planar air freshener, as shown and described.

(58) **Field of Classification Search**
USPC D8/72–73, 367, 394–396; D23/259, 269;
D24/155; D32/61
CPC H01R 13/639; A61F 5/448; F16B 45/02;
F16B 2/06; F16L 33/06; F16L 37/00;
F16L 23/06
See application file for complete search history.

DESCRIPTION

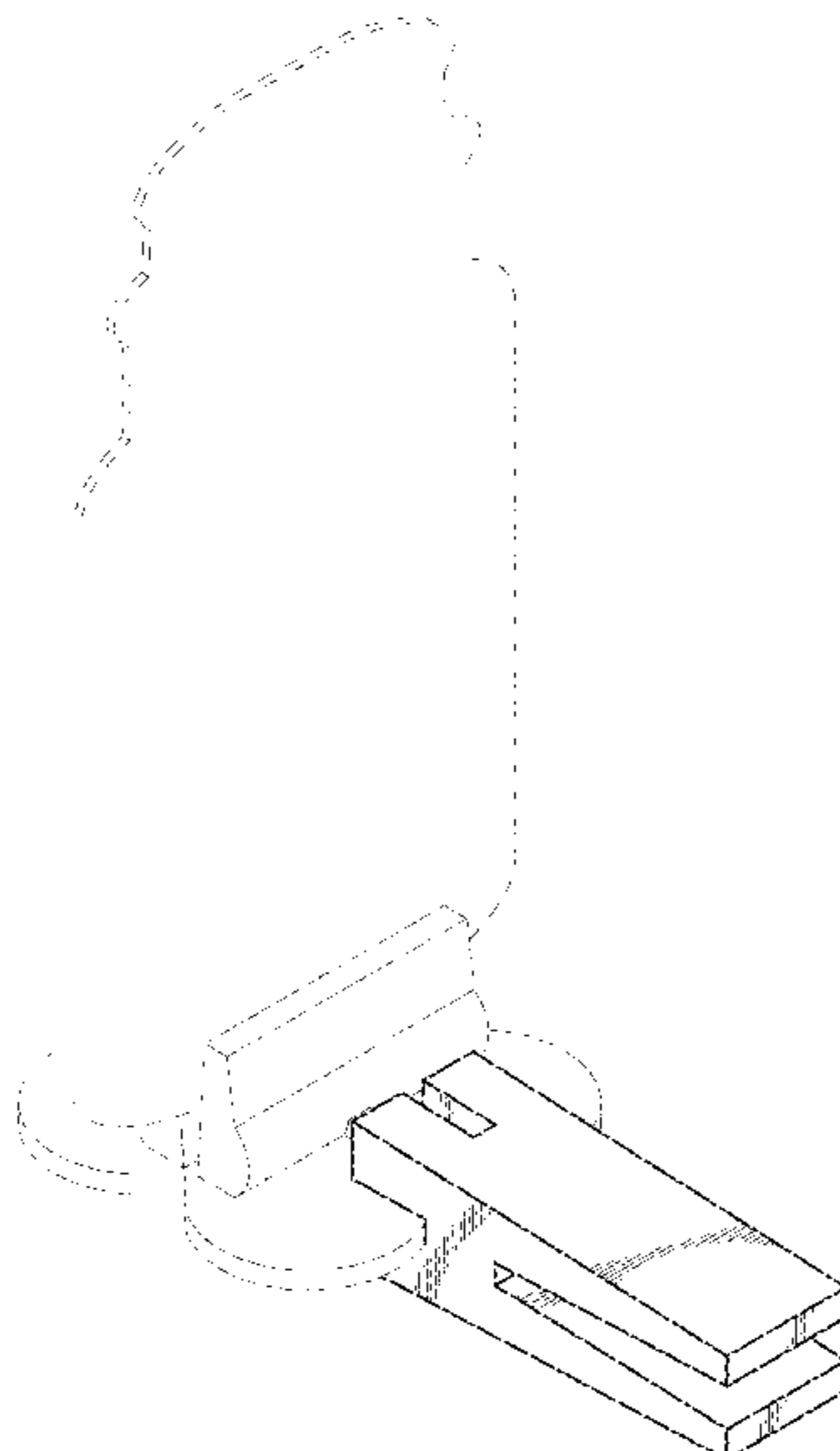
(56) **References Cited**

U.S. PATENT DOCUMENTS

265,171 A * 9/1882 Sperry D06F 55/00
24/570
D142,249 S * 8/1945 Vining D32/61
D253,806 S * 1/1980 Cox D8/1
D276,272 S * 11/1984 Weissenburger D24/176
D297,612 S * 9/1988 Friezner 74/526
D306,553 S * 3/1990 Rumpel D8/395
D317,927 S * 7/1991 Kern D15/135
5,609,415 A * 3/1997 Protz, Jr. F21V 21/08
248/229.16
D394,602 S 5/1998 Fernandez

FIG. 1 is a perspective side view of a clip for a stand for a planar air freshener;
FIG. 2 is a rear elevational view of the same;
FIG. 3 is a front elevational view of the same;
FIG. 4 is a top elevational view of the same;
FIG. 5 is a left side view of the clip, the right side being a mirror image thereof;
FIG. 6 is a second perspective side view of the clip for a stand for a planar air freshener, showing the stand and planar air freshener in broken lines for environmental purposes; and,
FIG. 7 is a top perspective side view of the clip for a stand for a planar air freshener, showing the stand and planar air freshener in broken lines for environmental purposes.
The broken lines showing the stand and the planar air freshener in the drawings illustrate environment and form no part of the claimed design.

1 Claim, 4 Drawing Sheets



(56)

References Cited

U.S. PATENT DOCUMENTS

D432,404 S * 10/2000 Garfinkle D8/395
D437,041 S 1/2001 Eisenbraun
D481,114 S 10/2003 Cane et al.
D570,198 S * 6/2008 Mamula D8/354
D640,781 S 6/2011 Brandenburg
D642,040 S * 7/2011 Romine D8/72
D707,545 S * 6/2014 Schopf D8/394
D736,585 S * 8/2015 Furey D8/72
D747,636 S * 1/2016 Maher D8/72
D798,136 S * 9/2017 Pittman D8/382
D826,023 S * 8/2018 Chun D8/72
D827,405 S * 9/2018 Chun D8/72
D852,602 S * 7/2019 Nguyen D8/72
D894,708 S * 9/2020 Nguyen D8/72
2011/0108632 A1 5/2011 Brandenburg

* cited by examiner

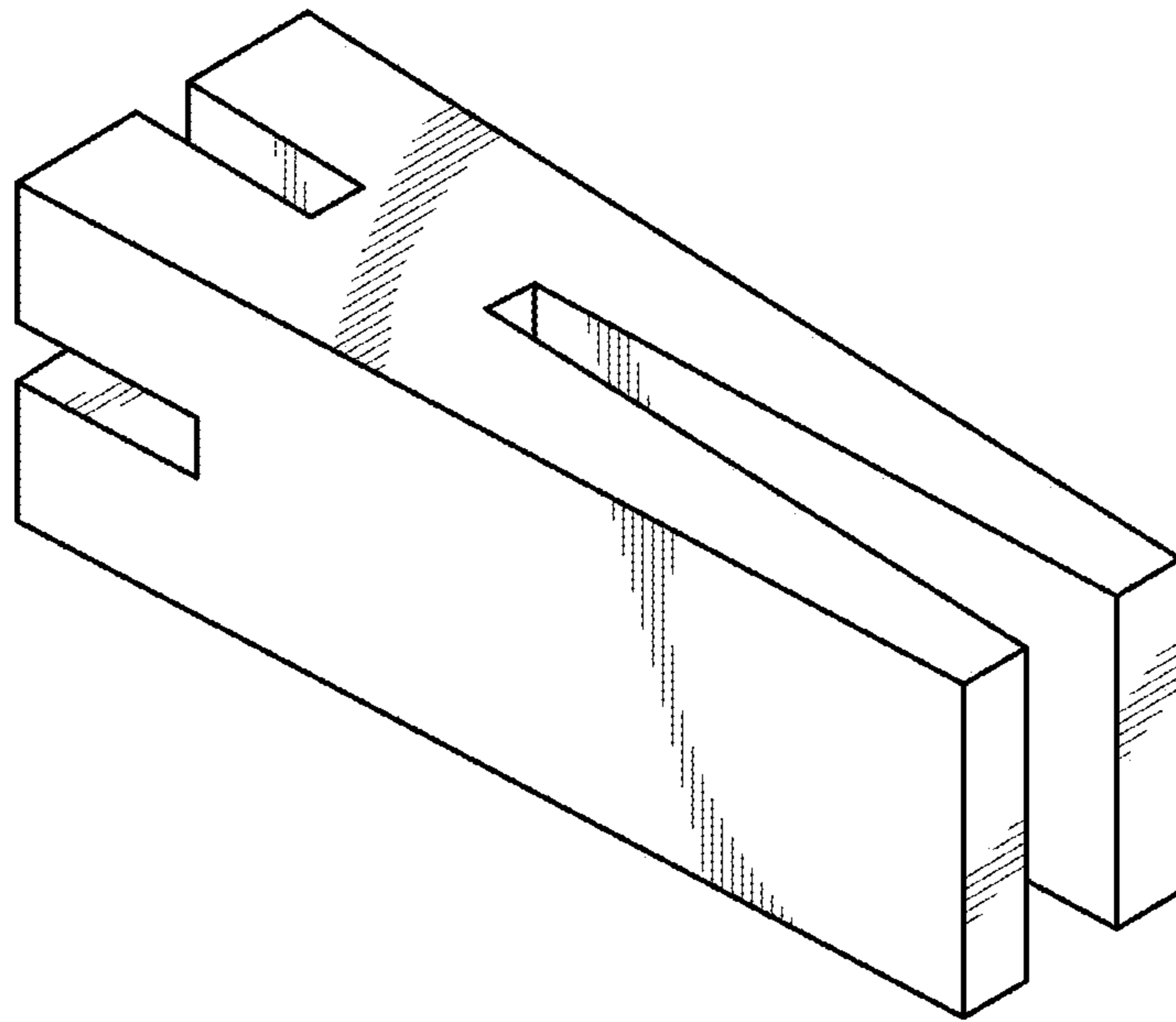


FIG. 1

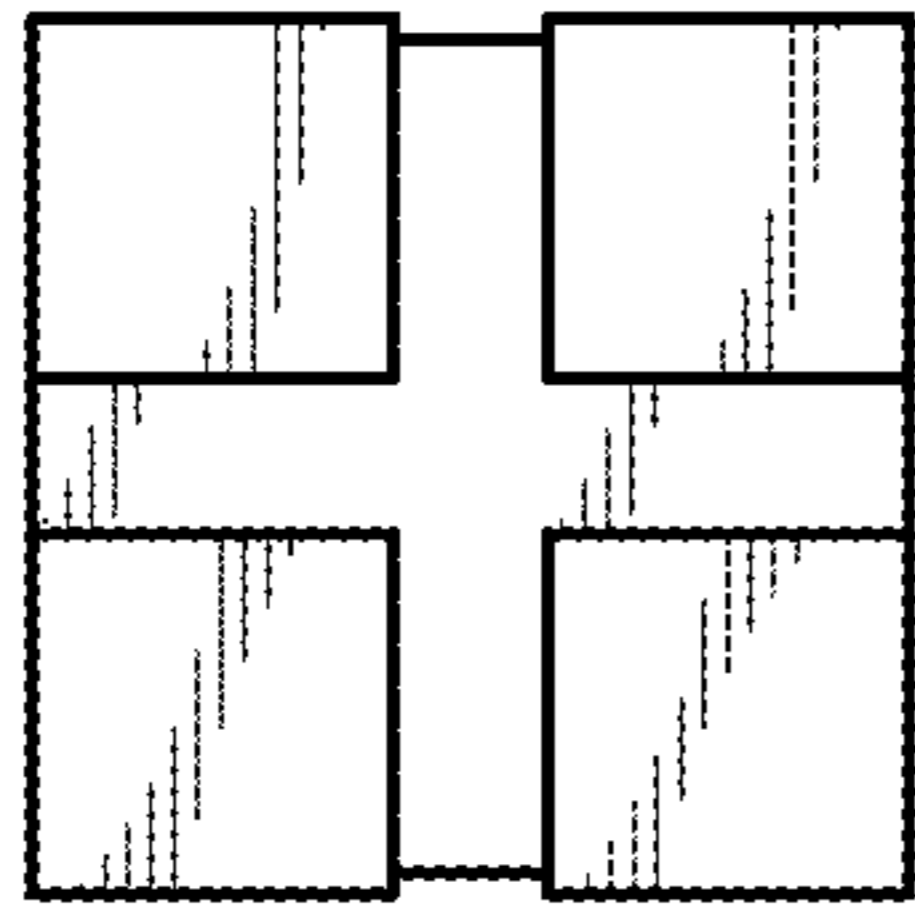


FIG. 2

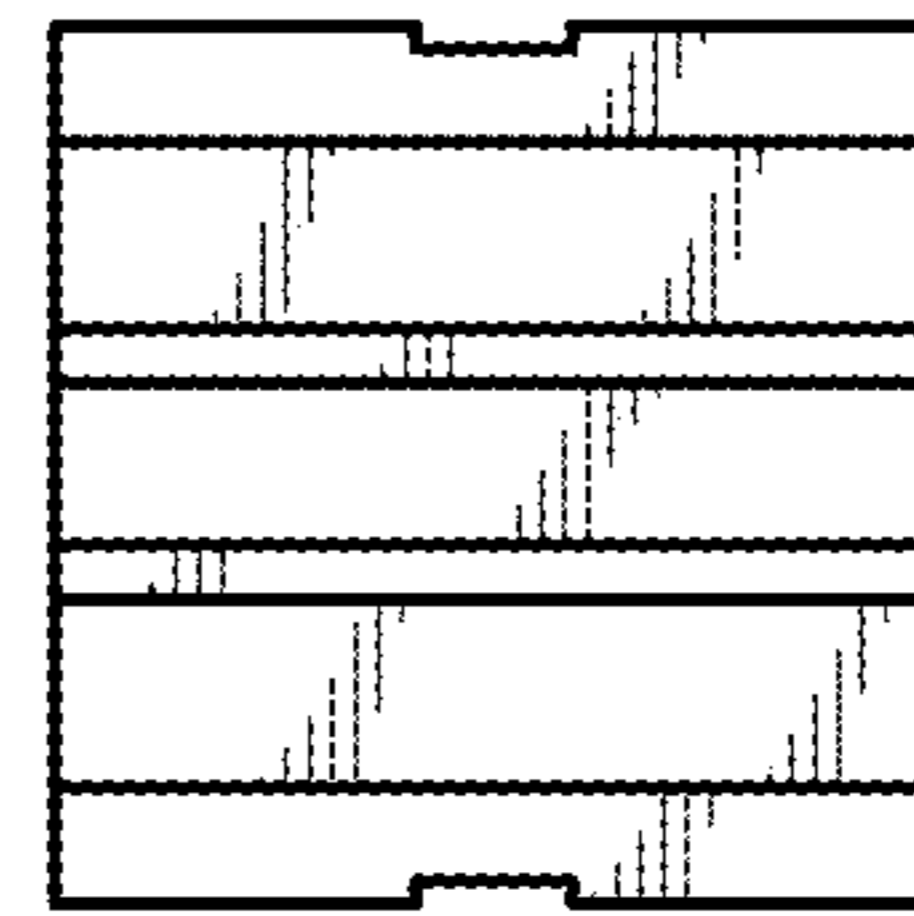


FIG. 3

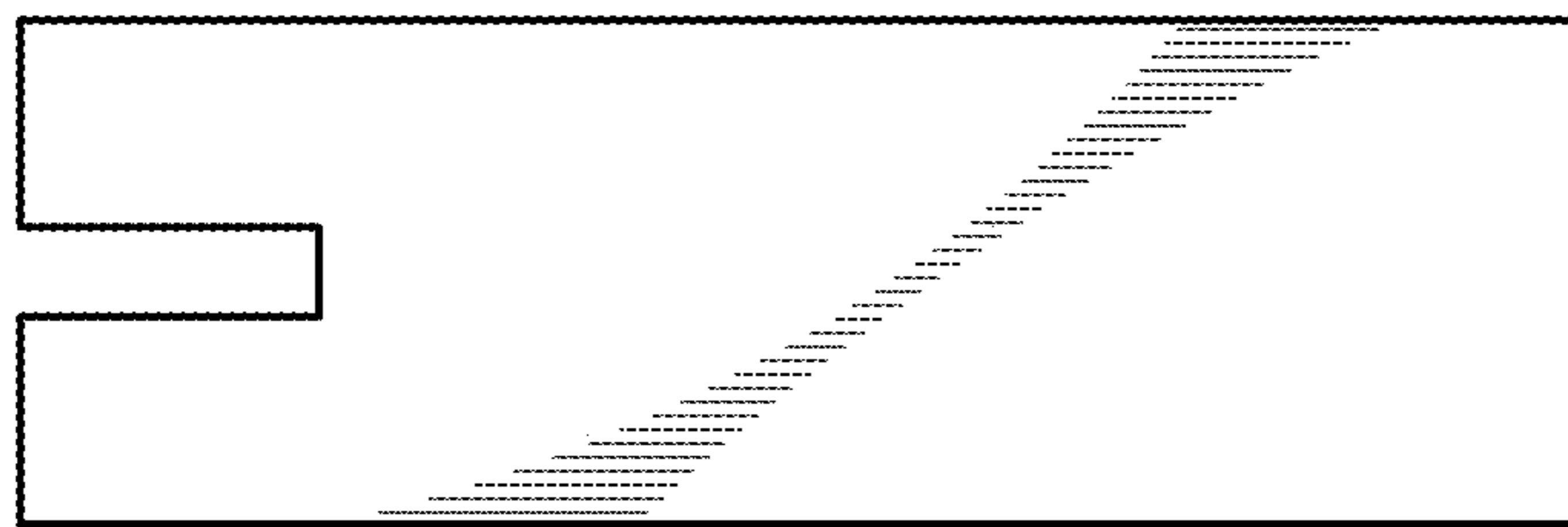


FIG. 4

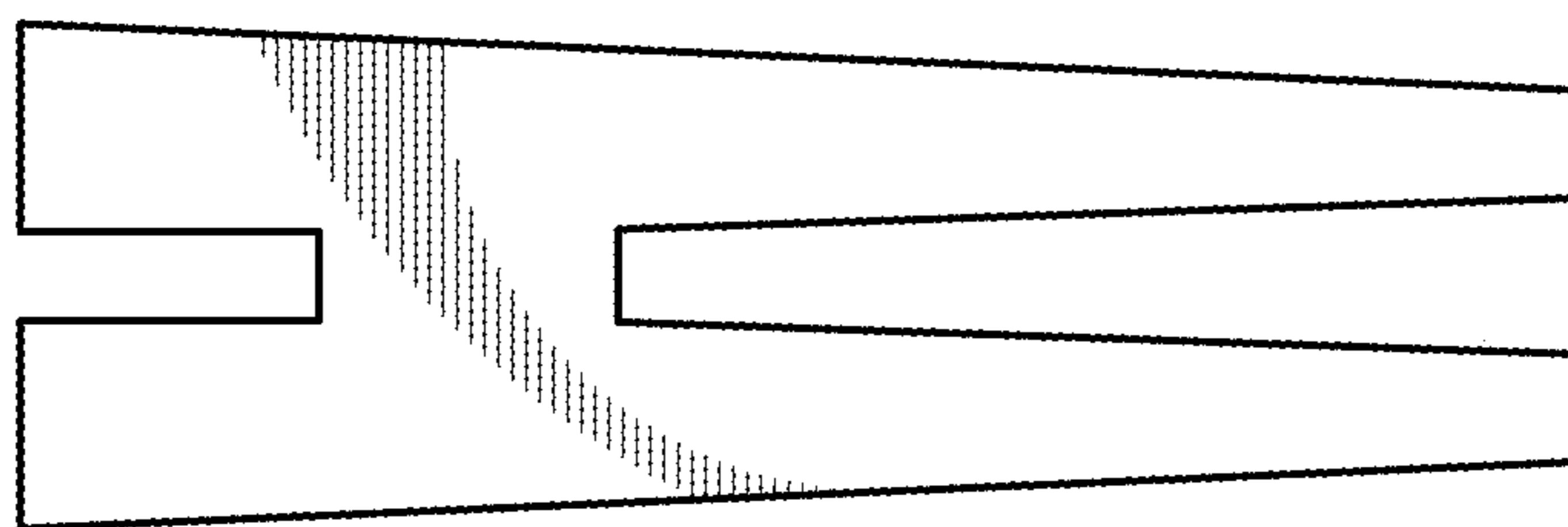


FIG. 5

FIG. 6

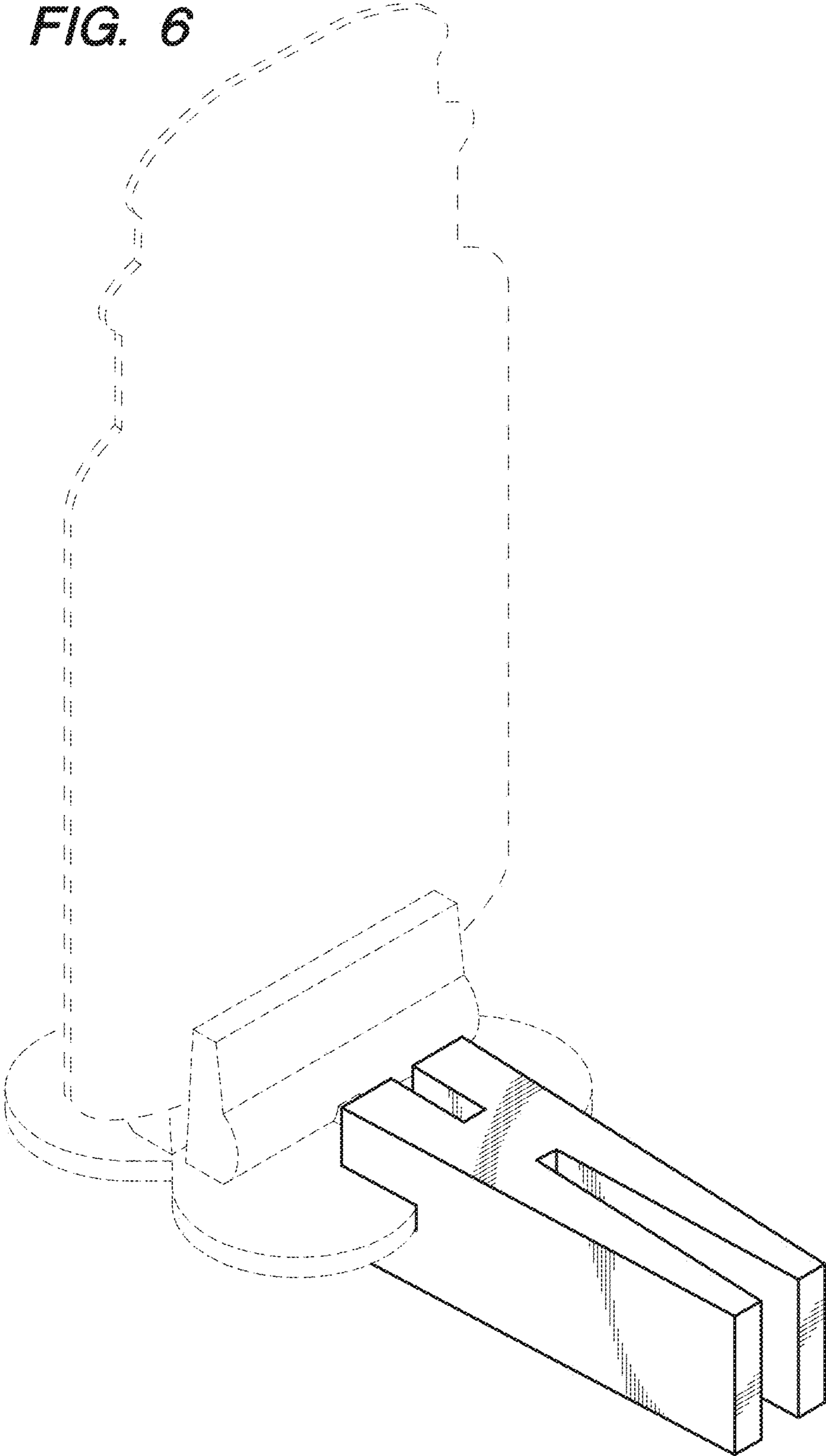


FIG. 7

