



US00D933465S

(12) **United States Design Patent** (10) **Patent No.:** **US D933,465 S**
Li (45) **Date of Patent:** **** Oct. 19, 2021**

(54) **BOLT** 4,861,198 A * 8/1989 Stankus E21D 20/025
405/259.3
(71) Applicant: **Jinsong Li**, Mengzhou (CN) 6,829,871 B1 * 12/2004 McSherry F16B 13/066
403/368
(72) Inventor: **Jinsong Li**, Mengzhou (CN) D558,042 S * 12/2007 Gaudron D8/387
D615,392 S * 5/2010 Gaudron D8/387
D615,855 S * 5/2010 Gaudron D8/387
(**) Term: **15 Years** 7,896,580 B2 * 3/2011 Weaver E02D 5/801
405/259.4
(21) Appl. No.: **29/786,416** 8,444,355 B2 * 5/2013 Gaudron F16B 13/141
411/60.1
(22) Filed: **Jun. 1, 2021** 8,678,730 B2 * 3/2014 Gaudron F16B 13/065
411/60.1

Related U.S. Application Data

(62) Division of application No. 29/728,162, filed on Mar. 17, 2020, now Pat. No. Des. 926,561. 2004/0102720 A1 * 5/2004 Kellerman B21F 45/008
600/585
2006/0018721 A1 * 1/2006 Robertson, Jr. E21D 21/008
405/259.4

(Continued)

(51) **LOC (13) Cl.** **08-08**

(52) **U.S. Cl.** **D8/387**

USPC **D8/387**

(58) **Field of Classification Search**

USPC D8/354, 355, 382, 383, 384, 385, 387,
D8/393, 394
CPC E21D 20/00; E21D 20/025; E21D 21/008;
F16B 13/066; F16B 13/141; D07B 9/00;
D07B 2201/20; D07B 2201/2083; D07B
2201/2084; F16G 11/03; F16G 11/04;
F16G 11/08; F16G 11/10; F16G 11/105;
F16G 11/048; F16G 11/00

See application file for complete search history.

(56) **References Cited**

U.S. PATENT DOCUMENTS

3,339,449 A * 9/1967 Lerich E21D 21/008
411/53
D258,799 S * 4/1981 Stern D8/382
RE31,776 E * 12/1984 Clark E21D 21/008
405/259.6
4,656,806 A * 4/1987 Leibhard F16B 13/065
52/704
4,772,166 A * 9/1988 Shamah E04G 23/0222
405/259.3

Primary Examiner — Holly E Thurman

Assistant Examiner — Ieisha N Price

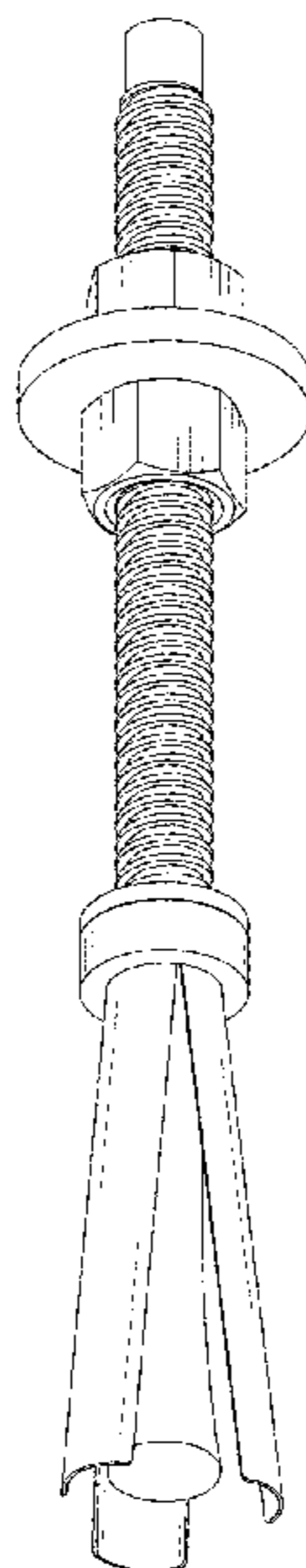
(57) **CLAIM**

The ornamental design for a bolt, as shown and described.

DESCRIPTION

FIG. 1 is a perspective view of a bolt showing my new design;
FIG. 2 is a front elevational view thereof;
FIG. 3 is a rear elevational view thereof;
FIG. 4 is a left side elevational view thereof;
FIG. 5 is a right side elevational view thereof;
FIG. 6 is a top plan view thereof;
FIG. 7 is a bottom plan view thereof;
FIG. 8 is a perspective view of the bolt of FIG. 1 shown in a second state for clarity of disclosure;
FIG. 9 is a perspective view of the bolt of FIG. 1 shown in a third state for clarity of disclosure; and,
FIG. 10 is a perspective view of the bolt of FIG. 1 shown in a fourth state for clarity of disclosure.

1 Claim, 10 Drawing Sheets



(56)

References Cited

U.S. PATENT DOCUMENTS

2008/0213063 A1* 9/2008 Pratt F16B 13/066
411/43
2009/0092462 A1* 4/2009 Pratt F16B 35/06
411/368
2010/0111639 A1* 5/2010 Gaudron F16B 13/065
411/354
2012/0201625 A1* 8/2012 Ikuno F16B 13/066
411/5
2012/0213607 A1* 8/2012 Peled E21D 21/008
411/24
2014/0059968 A1* 3/2014 Andrews F16B 13/065
52/698
2014/0105690 A1* 4/2014 Tadolini E21D 21/006
405/259.1
2018/0258975 A1* 9/2018 Polidori F16B 31/021
2018/0347358 A1* 12/2018 Rataj E21D 21/004
2019/0301507 A1* 10/2019 Steinberg C25D 7/003
2020/0063558 A1* 2/2020 Darlington E21D 21/004
2020/0217201 A1* 7/2020 Zhang E21D 20/003
2021/0071525 A1* 3/2021 Cawood E21D 20/028

* cited by examiner

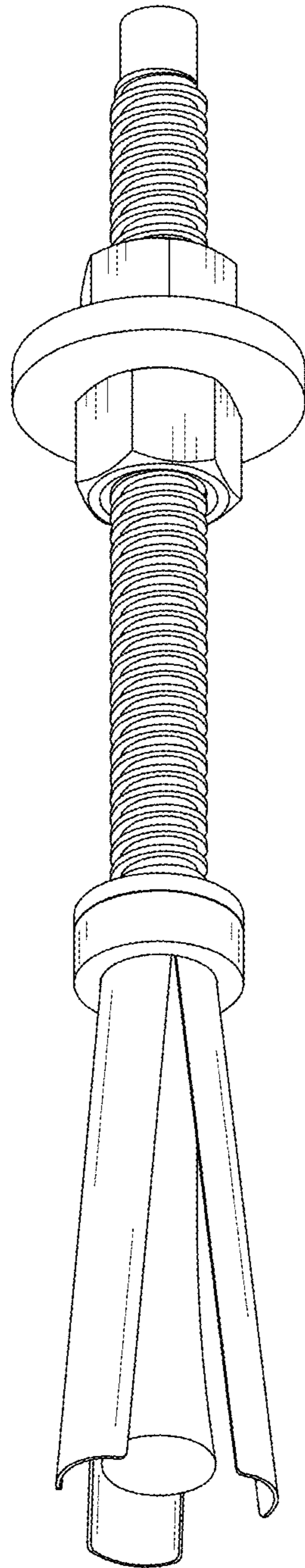


FIG. 1

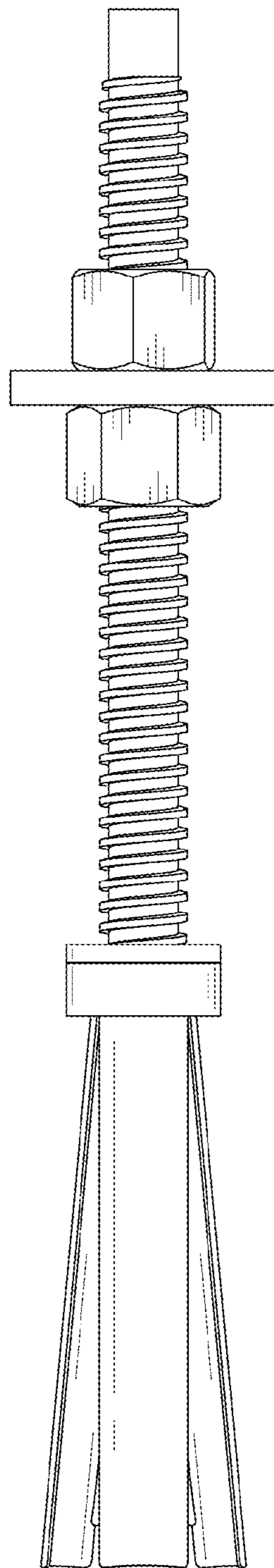


FIG. 2

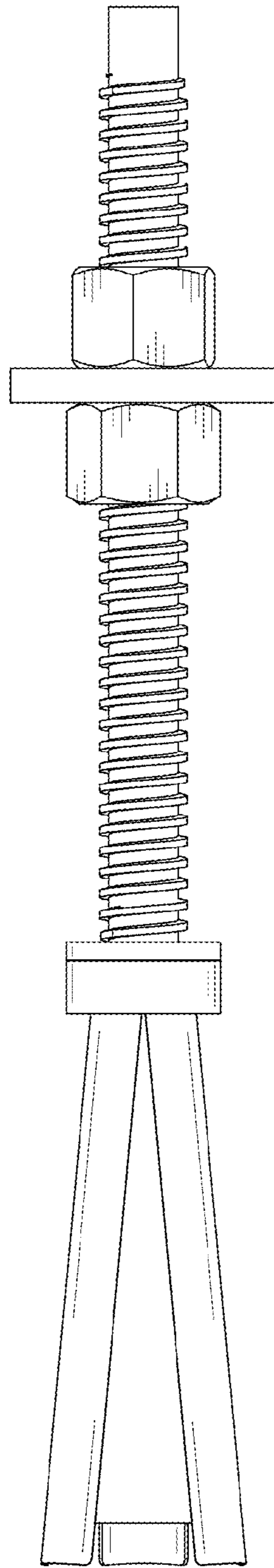


FIG. 3

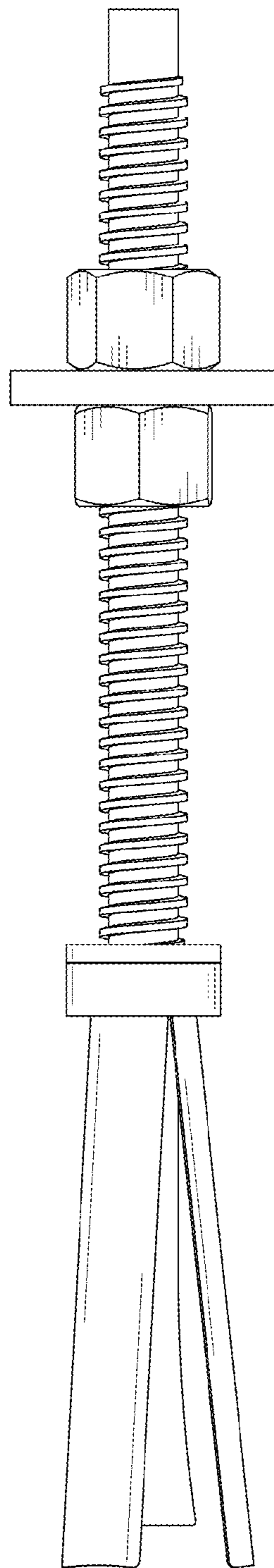


FIG. 4

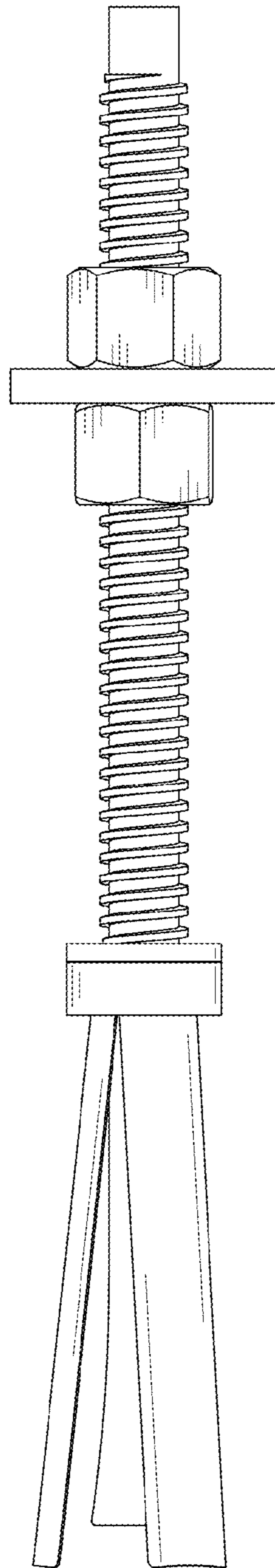


FIG. 5

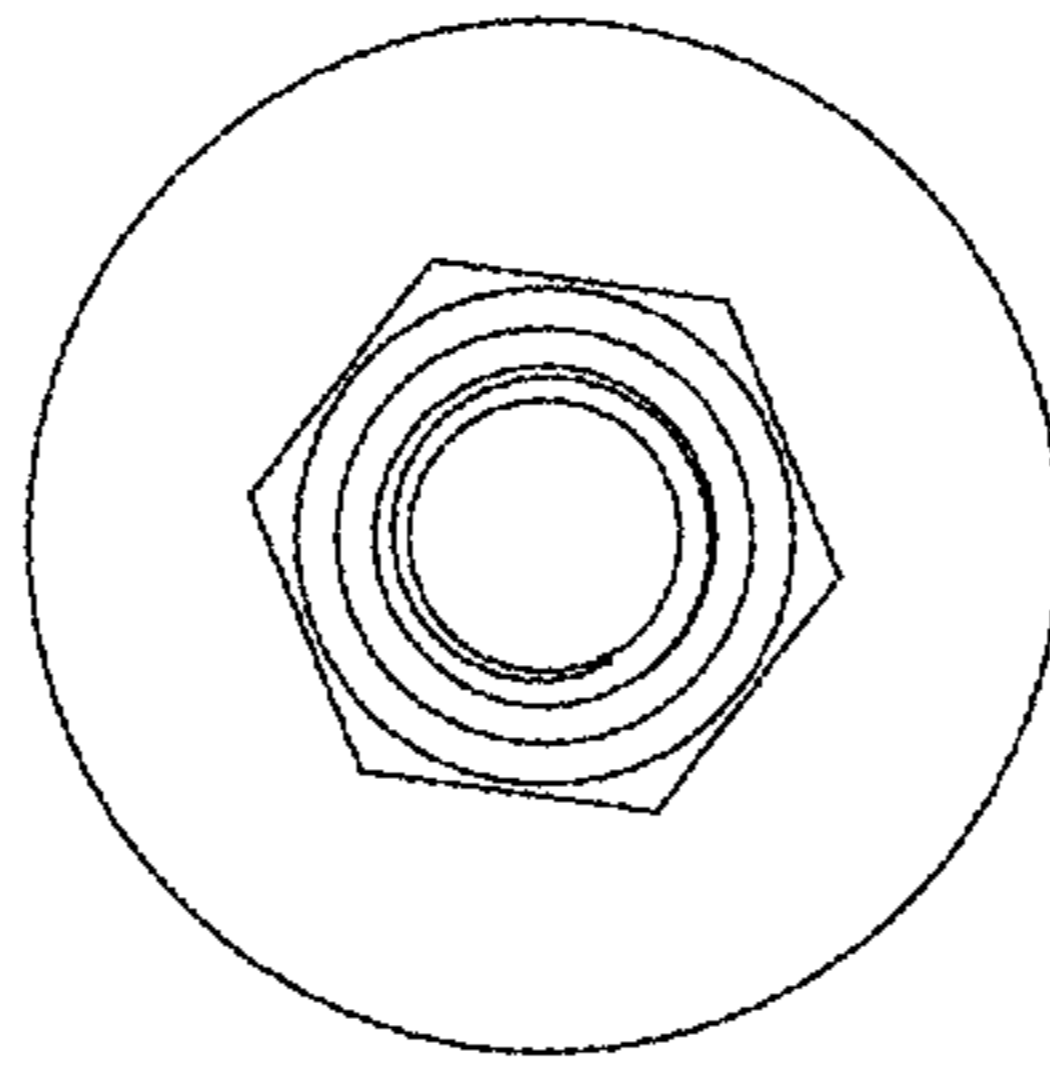


FIG. 6

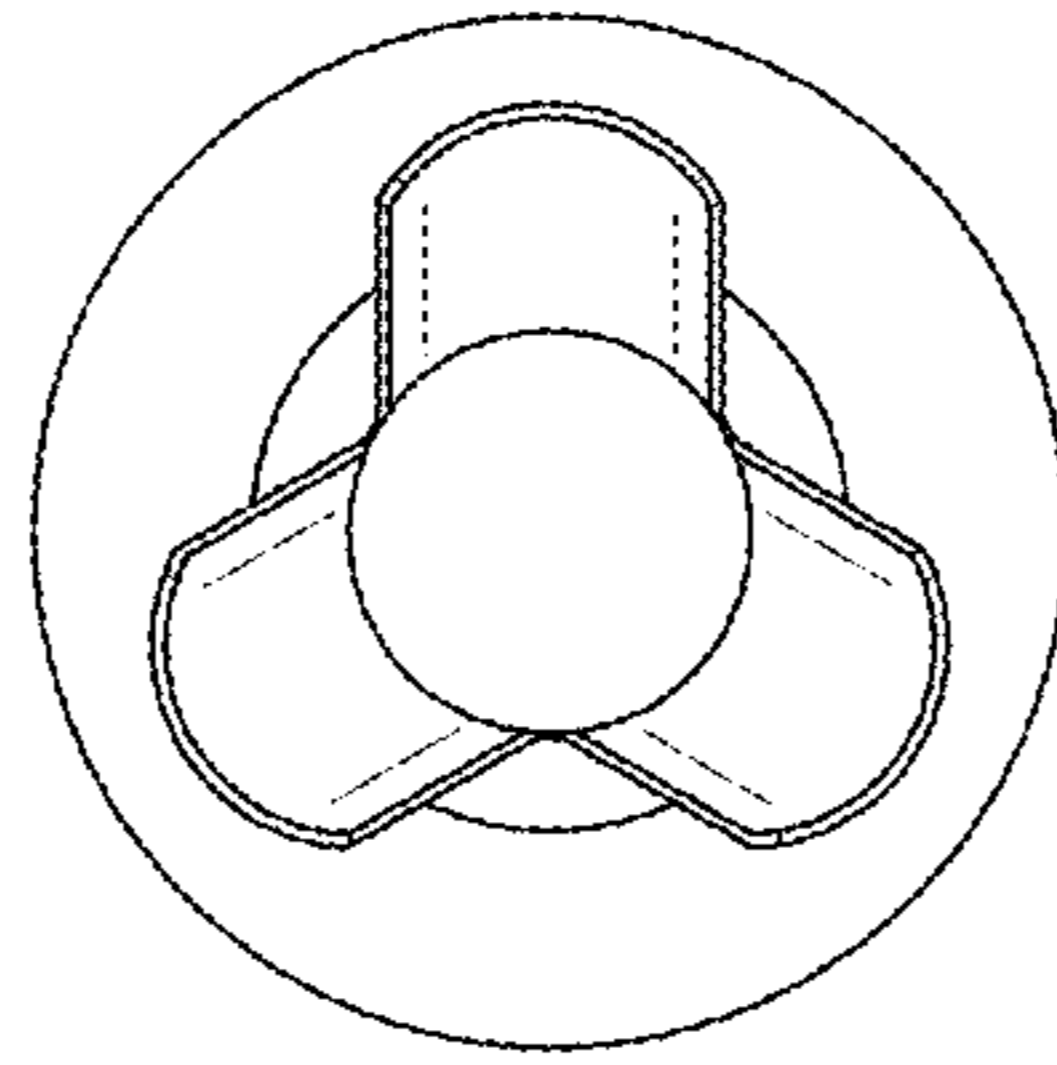


FIG. 7

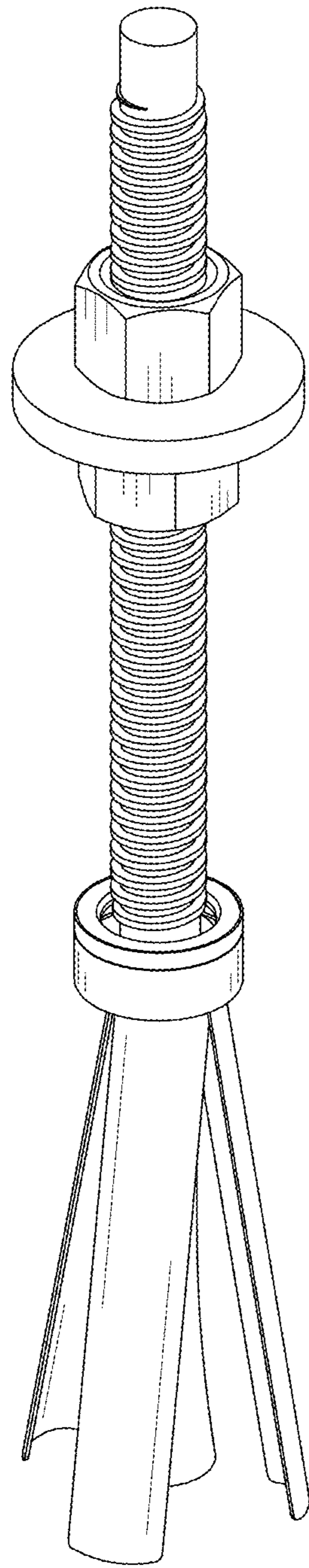


FIG. 8

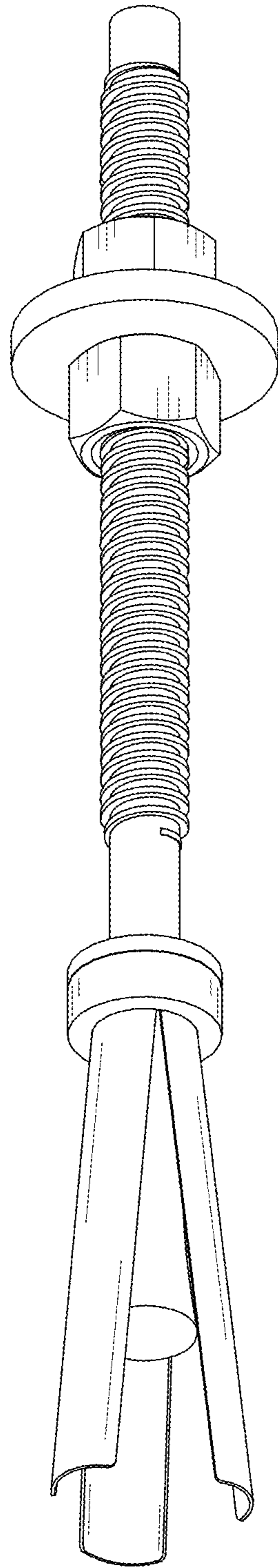


FIG. 9

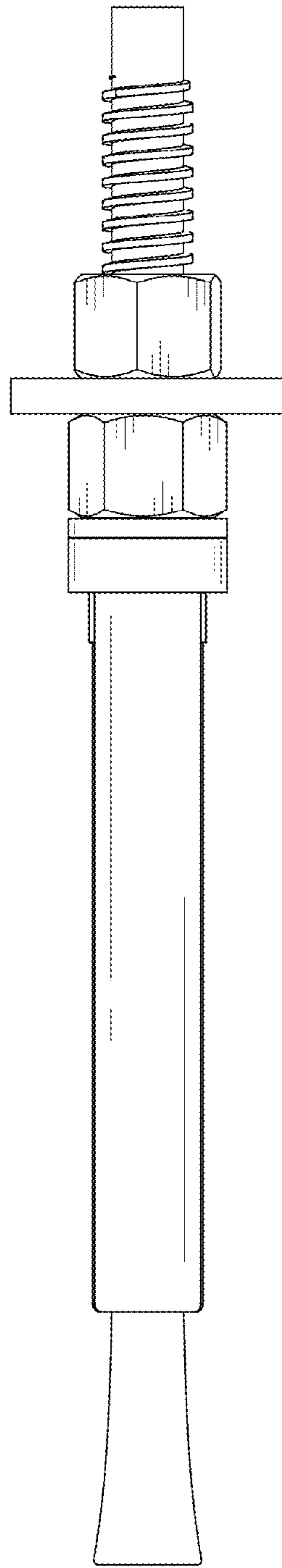


FIG. 10