



US00D933464S

(12) **United States Design Patent** (10) **Patent No.:** **US D933,464 S**  
**Jodoïn** (45) **Date of Patent:** **\*\* Oct. 19, 2021**

(54) **MAGNETIC ENGINE OIL DRAIN PLUG**  
(71) Applicant: **Richard Jodoïn**, Palm Coast, FL (US)  
(72) Inventor: **Richard Jodoïn**, Palm Coast, FL (US)  
(\*\*) Term: **15 Years**

2007/0262028 A1\* 11/2007 Flaherty ..... B03C 1/286  
210/695  
2008/0019795 A1\* 1/2008 Denton ..... F01M 11/0408  
411/383  
2008/0135335 A1\* 6/2008 Lowman ..... F01M 11/0408  
184/1.5

(21) Appl. No.: **29/710,413**  
(22) Filed: **Oct. 23, 2019**  
(51) **LOC (13) Cl.** ..... **08-08**  
(52) **U.S. Cl.**  
USPC ..... **D8/387**  
(58) **Field of Classification Search**  
USPC ..... D08/387, 382, 349, 385, 388, 397, 391  
CPC ..... F01M 2011/0416; B03C 2201/28; B25B  
13/50; B25B 27/14; F16B 12/22; F16B  
12/24; F16B 15/02; F16B 15/06; F16B  
31/025; F16B 35/00; F16B 35/06; F16B  
37/14

See application file for complete search history.

(56) **References Cited**

**U.S. PATENT DOCUMENTS**

D363,767 S \* 10/1995 Swaim ..... D23/260  
D545,404 S \* 6/2007 Nightlinger ..... D23/260  
D545,405 S \* 6/2007 Nightlinger ..... D23/260  
D598,850 S \* 8/2009 Jun ..... D13/127  
D598,851 S \* 8/2009 Jun ..... D13/127  
D598,852 S \* 8/2009 Jun ..... D13/127  
D790,044 S \* 6/2017 Li ..... D23/262  
D834,192 S \* 11/2018 Lee ..... D24/155  
D845,448 S \* 4/2019 Tanghetti ..... D23/262  
2006/0054402 A1\* 3/2006 Dorian ..... B03C 1/286  
184/1.5

**OTHER PUBLICATIONS**

Motoparty Magnetic Engine Oil Drain Plug for Porsche, Date Visited: Nov. 18, 2020, Publisher: Amazon.com, Date Available: Aug. 28, 2018, <https://www.amazon.com/Motoparty-Magnetic-Porsche-Aluminum-18x1-5MM/dp/B07GWDDRDJ> (Year: 2018).\*

\* cited by examiner

*Primary Examiner* — Susan Bennett Hattan

*Assistant Examiner* — Elizabeth S Ko

(74) *Attorney, Agent, or Firm* — Schwartz Law Firm, P.C.

(57) **CLAIM**

I claim the ornamental design for a magnetic engine oil drain plug, as shown and described.

**DESCRIPTION**

FIG. 1 is a top perspective view of the magnetic engine oil drain plug;

FIG. 2 is a bottom perspective view of the magnetic engine oil drain plug;

FIG. 3 is a first side view of the magnetic engine oil drain plug;

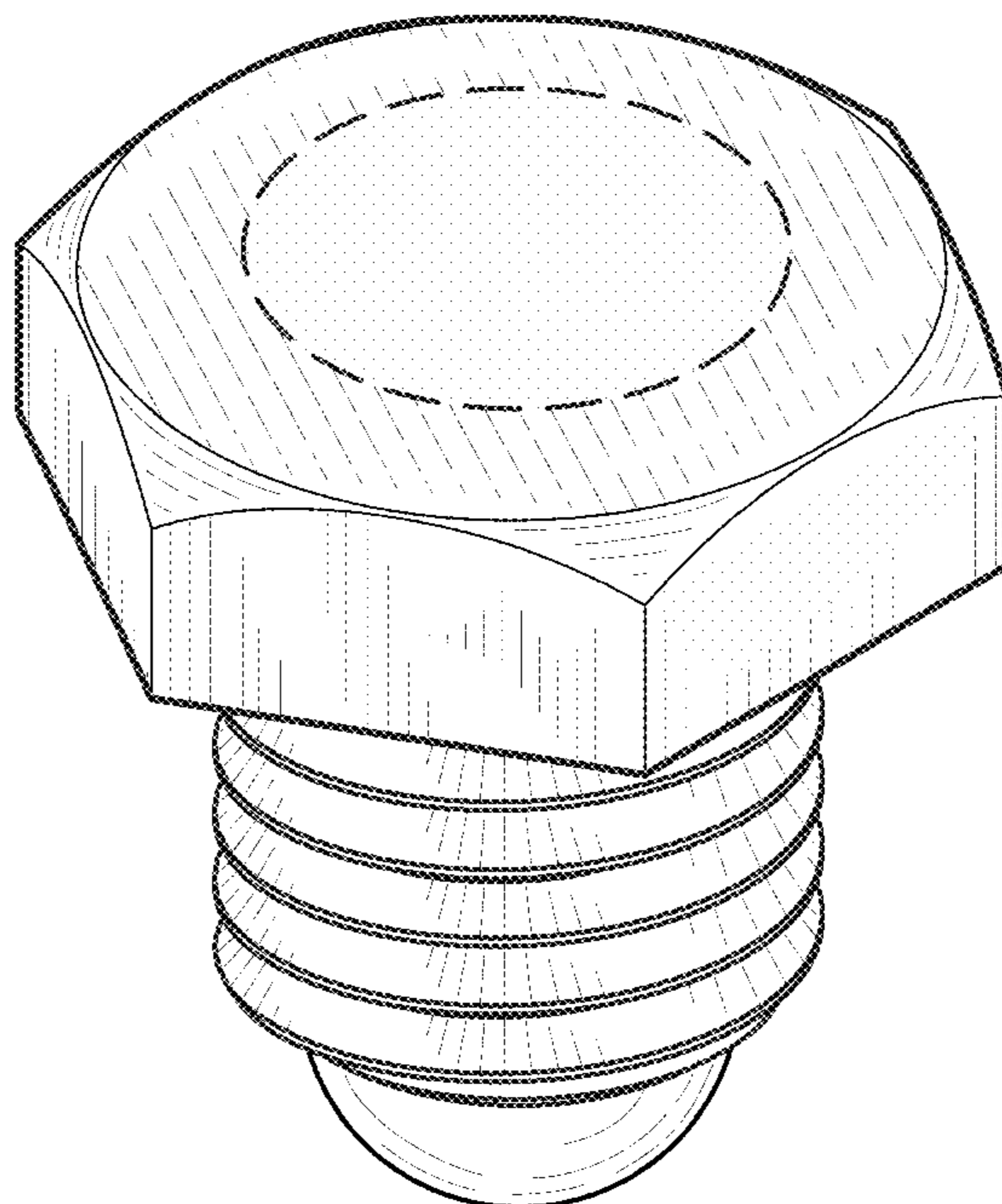
FIG. 4 is a second side view of the magnetic engine oil drain plug;

FIG. 5 is a top view of the magnetic engine oil drain plug; and,

FIG. 6 is a bottom view of the magnetic engine oil drain plug.

The broken lines in the drawings depict parts of the article that form not part of the claimed design.

**1 Claim, 6 Drawing Sheets**



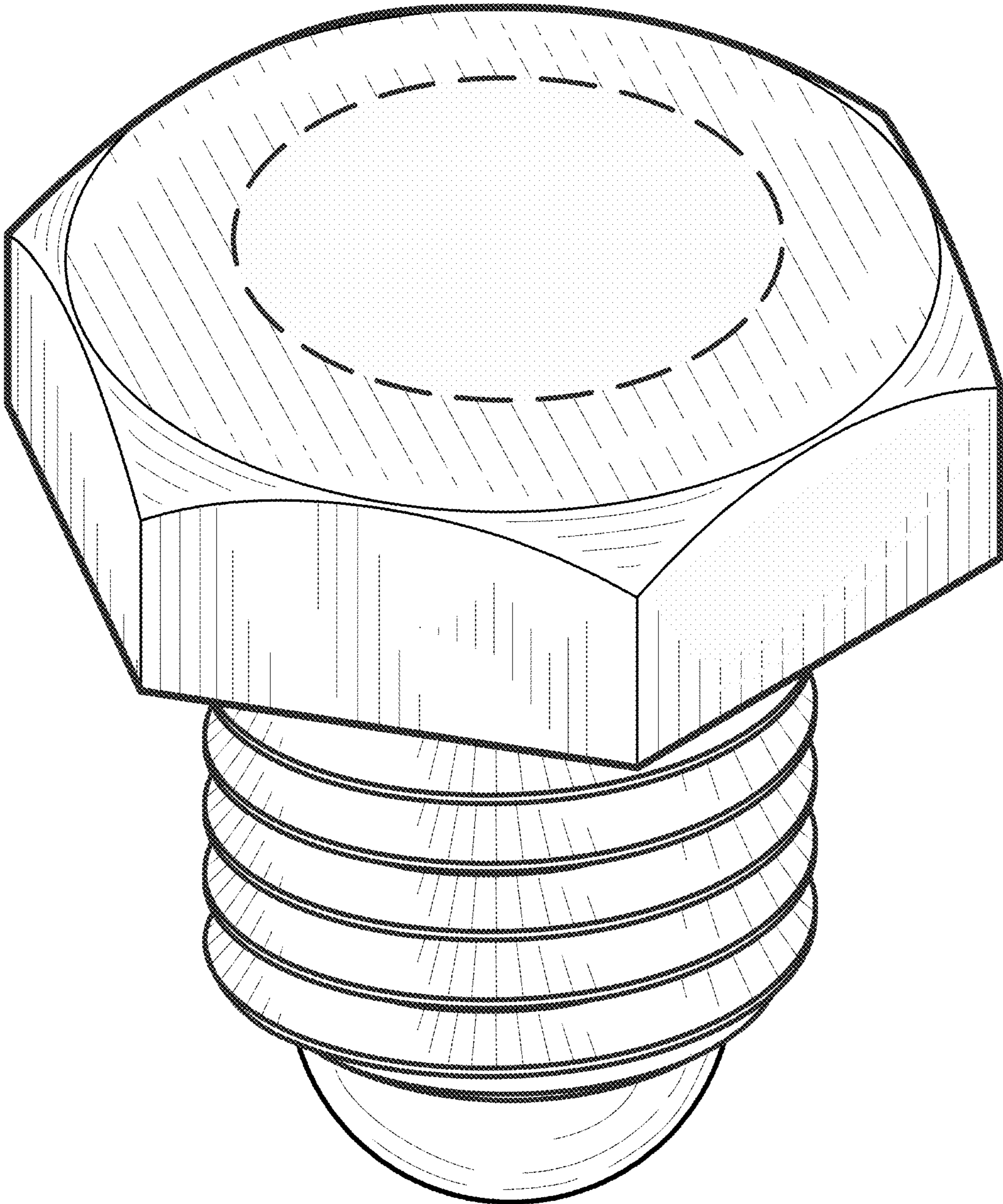


FIG. 1

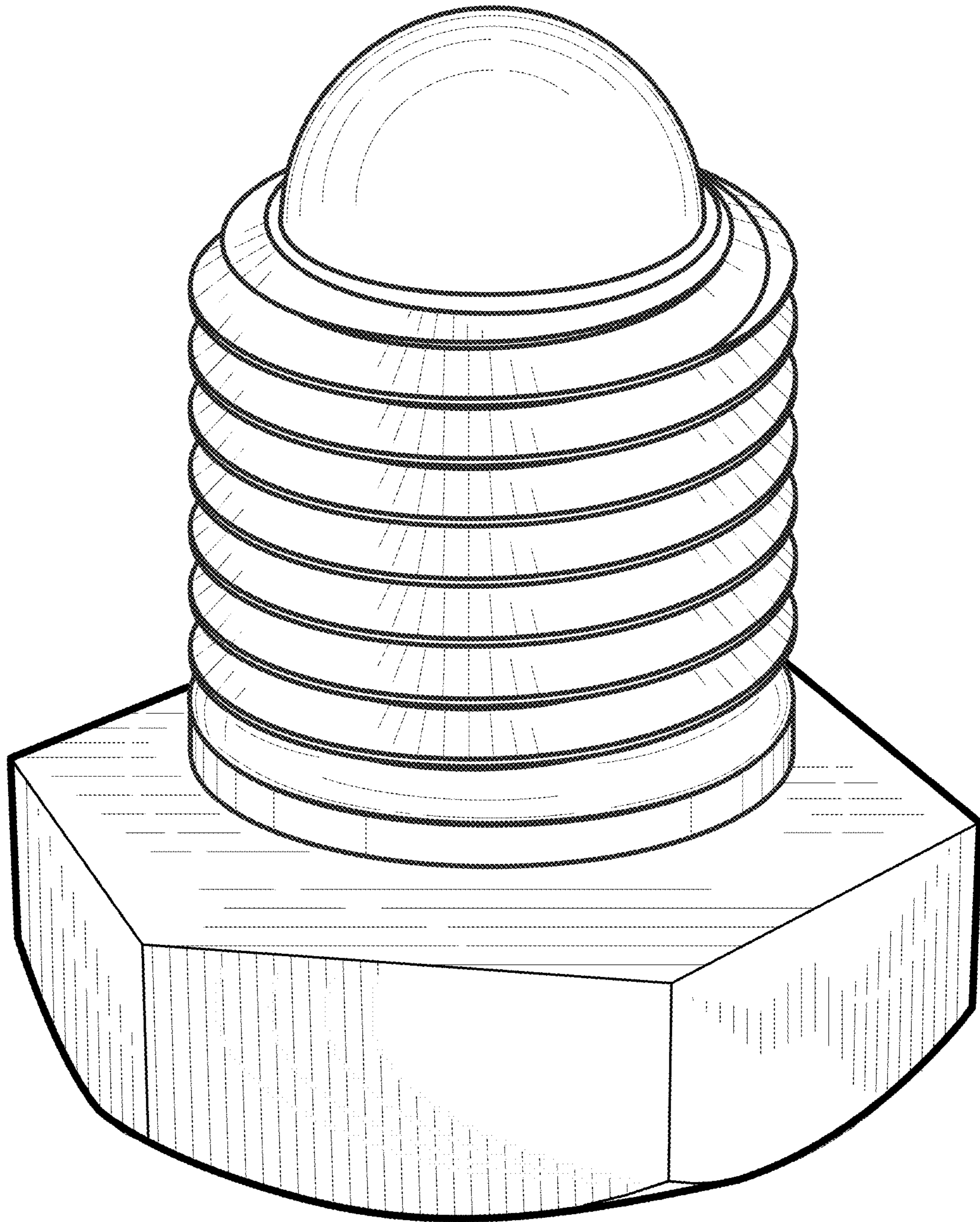


FIG. 2

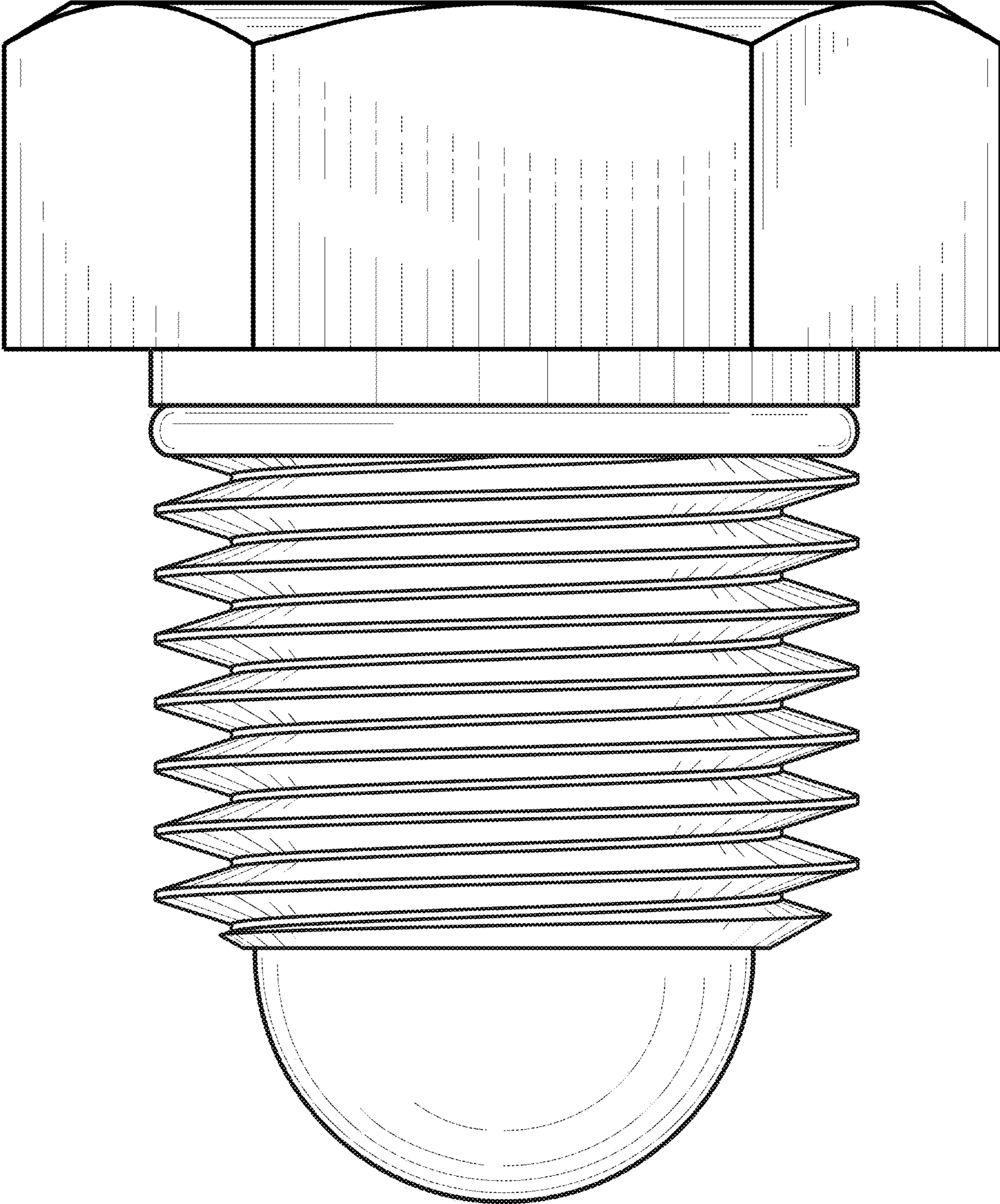


FIG. 3

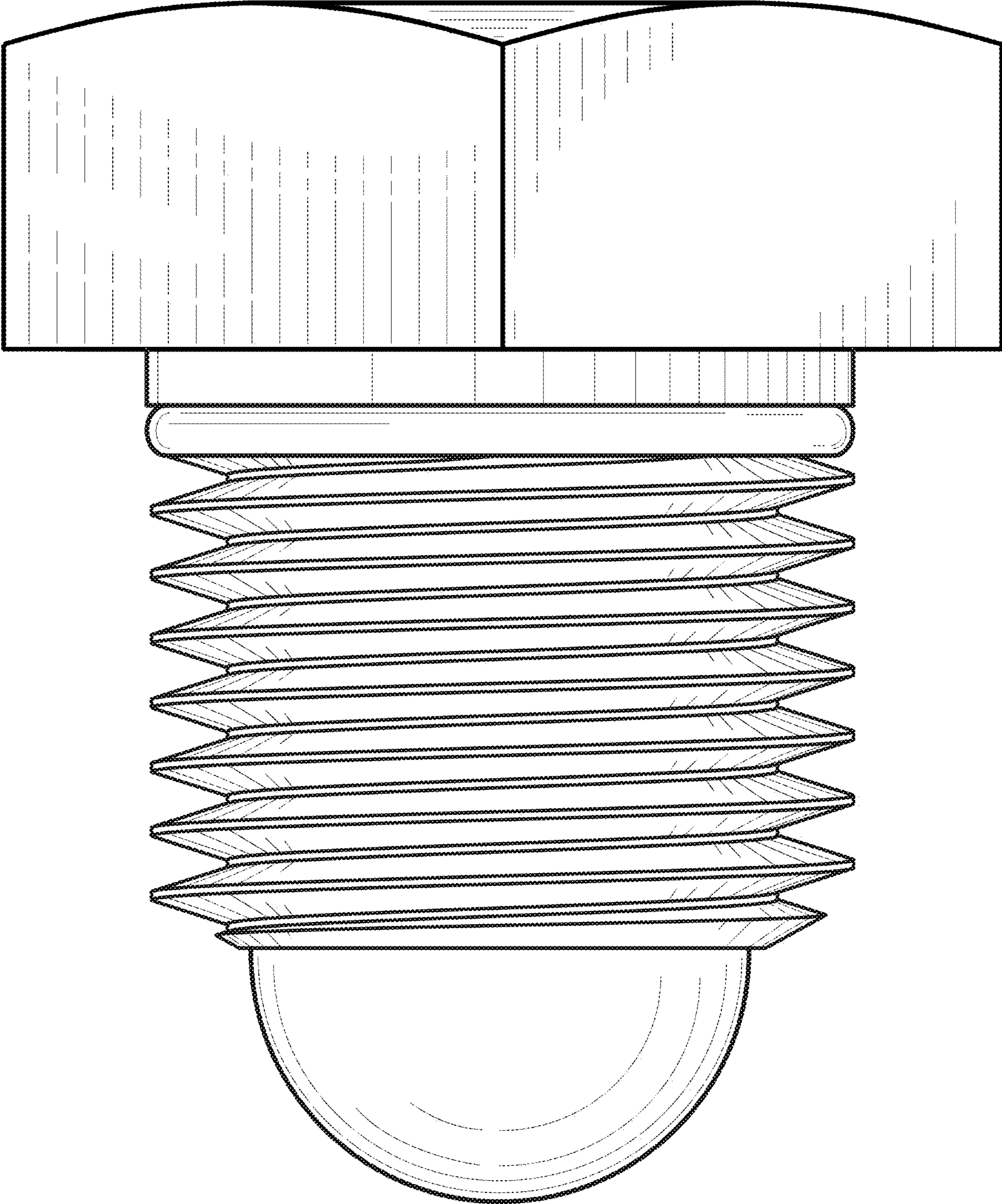


FIG. 4

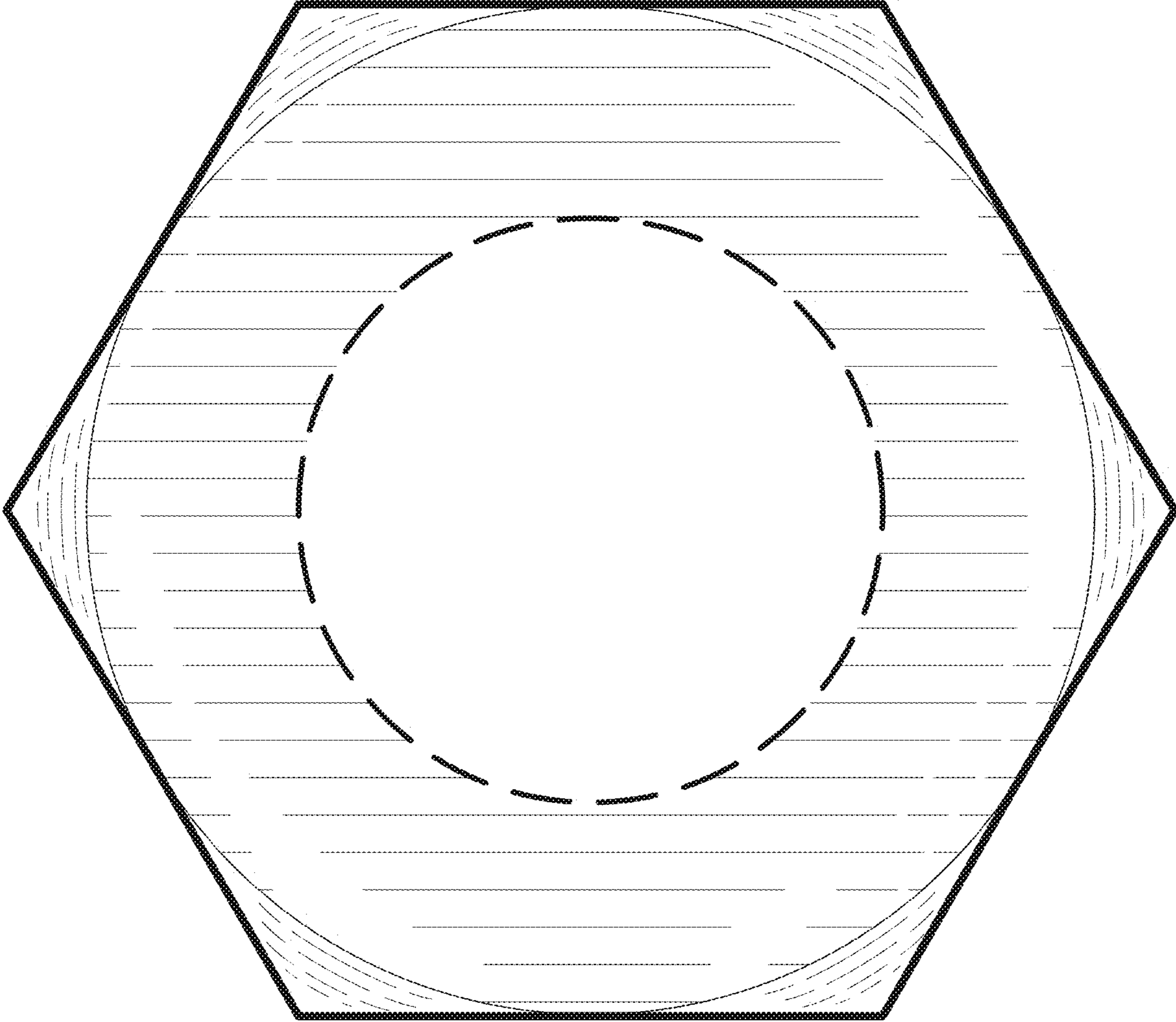


FIG. 5

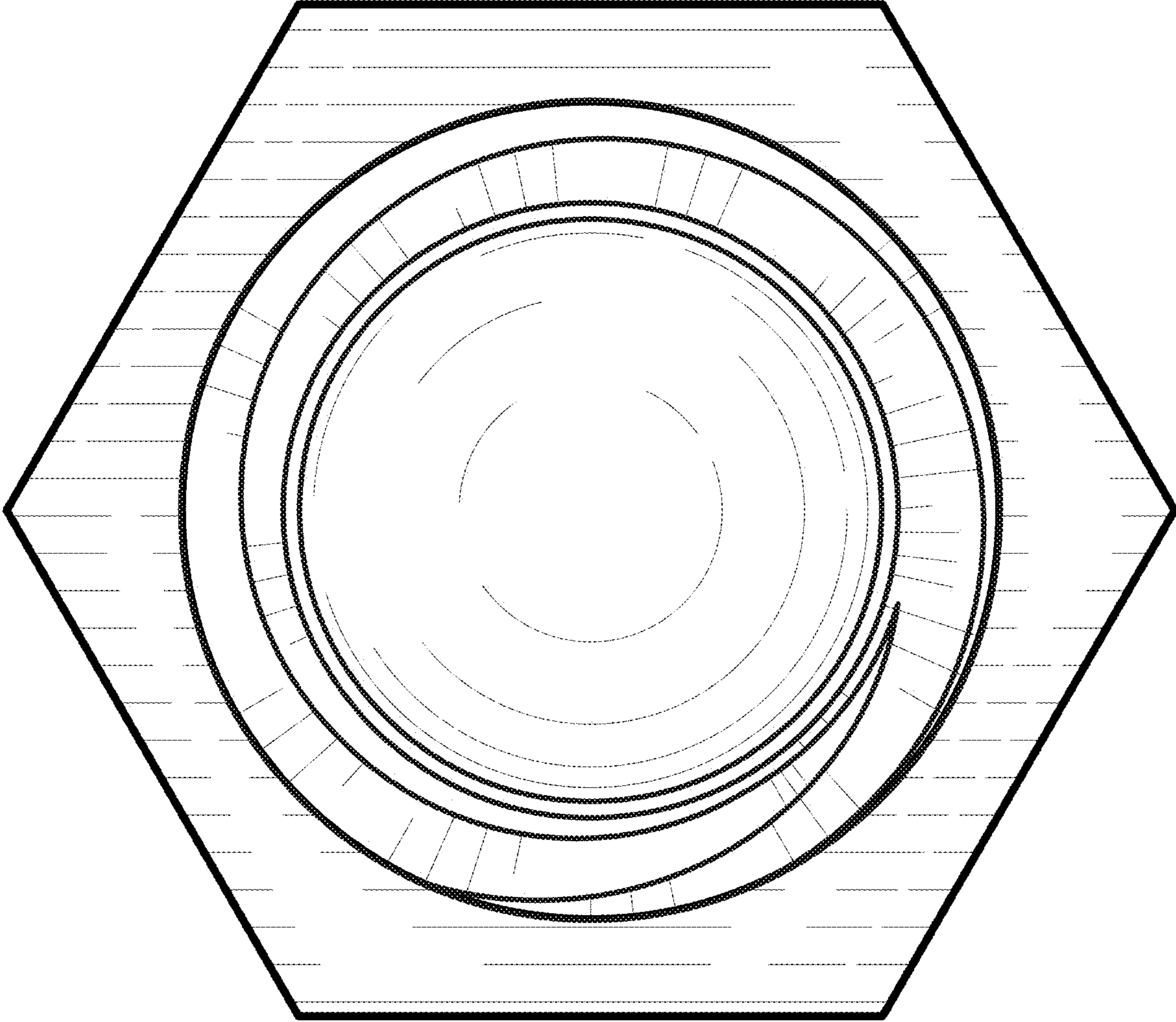


FIG. 6