



US00D933463S

(12) **United States Design Patent** (10) **Patent No.:** **US D933,463 S**
Austin (45) **Date of Patent:** **** Oct. 19, 2021**

(54) **FENDER HOOK**
(71) Applicant: **Daniel Austin**, Pomona, CA (US)
(72) Inventor: **Daniel Austin**, Pomona, CA (US)
(**) Term: **15 Years**
(21) Appl. No.: **29/723,871**
(22) Filed: **Feb. 11, 2020**
(51) **LOC (13) Cl.** **08-05**
(52) **U.S. Cl.**
USPC **D8/367**
(58) **Field of Classification Search**
USPC D8/356, 354, 105, 349, 367; D3/207
CPC B65H 57/16; B63B 21/045; A63B 29/08;
A63B 27/02; F16B 45/02
See application file for complete search history.

(56) **References Cited**

U.S. PATENT DOCUMENTS

3,446,484	A	5/1969	Walsh et al.	
D222,428	S	10/1971	Stein	
D246,286	S	11/1977	Moore	
D347,507	S	5/1994	Austin	
7,845,467	B2*	12/2010	Petzl	A62B 1/14 182/5
D730,159	S *	5/2015	Grimm	D8/356
D730,722	S *	6/2015	Grimm	D8/356
D738,196	S *	9/2015	Petzl	D8/356
D758,172	S *	6/2016	Hung	D8/367
D765,497	S *	9/2016	Petzl	D8/356
D786,049	S	5/2017	Austin	
D801,156	S *	10/2017	Hung	D8/367
D819,429	S *	6/2018	Newing	D8/356
D827,418	S	9/2018	Austin	
D837,635	S *	1/2019	Petzl	D8/356
D843,814	S *	3/2019	Gariano	D8/356
D852,609	S *	7/2019	LeBeau	D8/356
D863,046	S *	10/2019	Gariano	D8/356
D893,122	S *	8/2020	Saeger	D34/35

2013/0219673	A1*	8/2013	Perner	F16B 45/02 24/375
2014/0110956	A1*	4/2014	Lin	B66C 1/36 294/82.2
2014/0138191	A1*	5/2014	Chabod	A62B 1/14 188/65.1
2014/0245576	A1*	9/2014	Perner	F16B 45/02 24/600.1
2015/0231423	A1*	8/2015	Perner	A62B 35/0075 24/505
2016/0230804	A1*	8/2016	Huang	F16B 45/02
2016/0361578	A1*	12/2016	Casebolt	A62B 35/0037
2016/0376129	A1*	12/2016	Hendrix	F16B 45/02 294/82.2

* cited by examiner

Primary Examiner — Cynthia R Underwood

(74) *Attorney, Agent, or Firm* — Kirk A. Buhler; Buhler & Associates Patenting

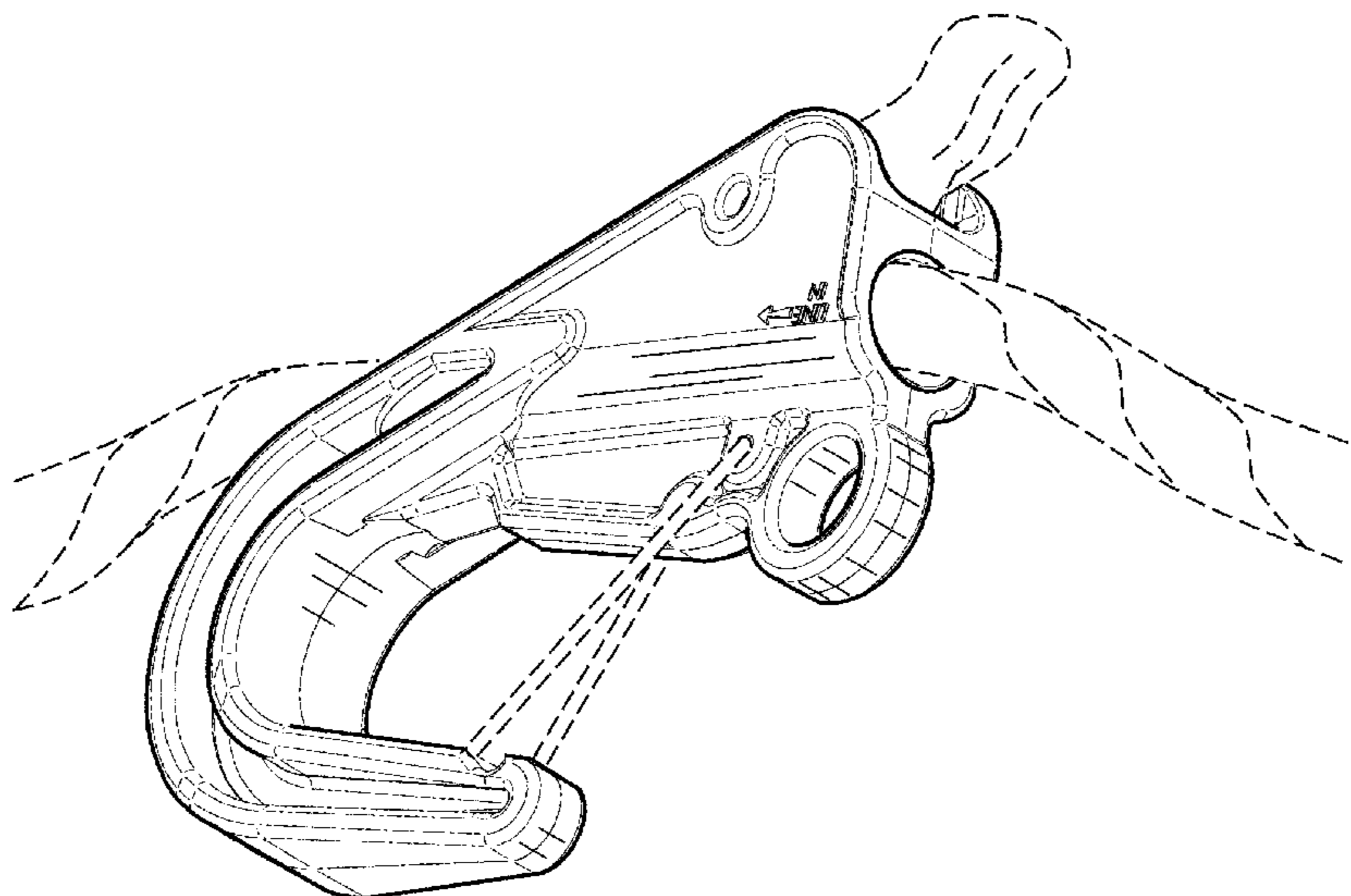
(57) **CLAIM**

The ornamental design for a fender hook, as shown and described.

DESCRIPTION

FIG. 1 is a front perspective view of a fender hook showing my new design;
FIG. 2 is a front elevation view thereof;
FIG. 3 is a rear elevation view thereof;
FIG. 4 is a bottom plan view thereof;
FIG. 5 is a top plan view thereof;
FIG. 6 is a rear elevation view thereof;
FIG. 7 is a front elevation view thereof;
FIG. 8 is a rear perspective view shown in an environment of use; and,
FIG. 9 is a front rear perspective view shown in an environment of use.
The broken lines in FIGS. 1-9 depict environmental subject matter of a rope and forms no part of the claimed design.

1 Claim, 5 Drawing Sheets



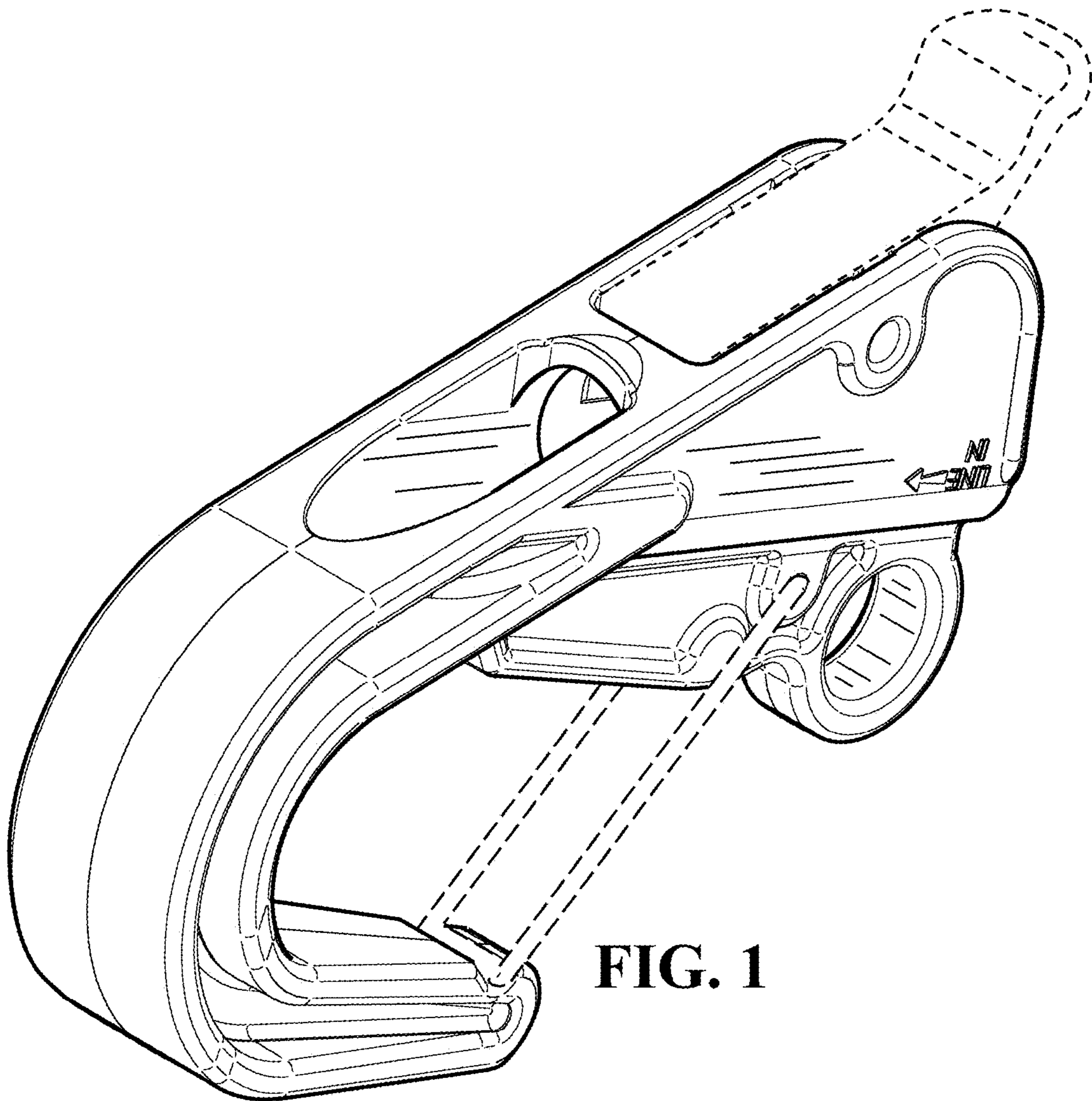
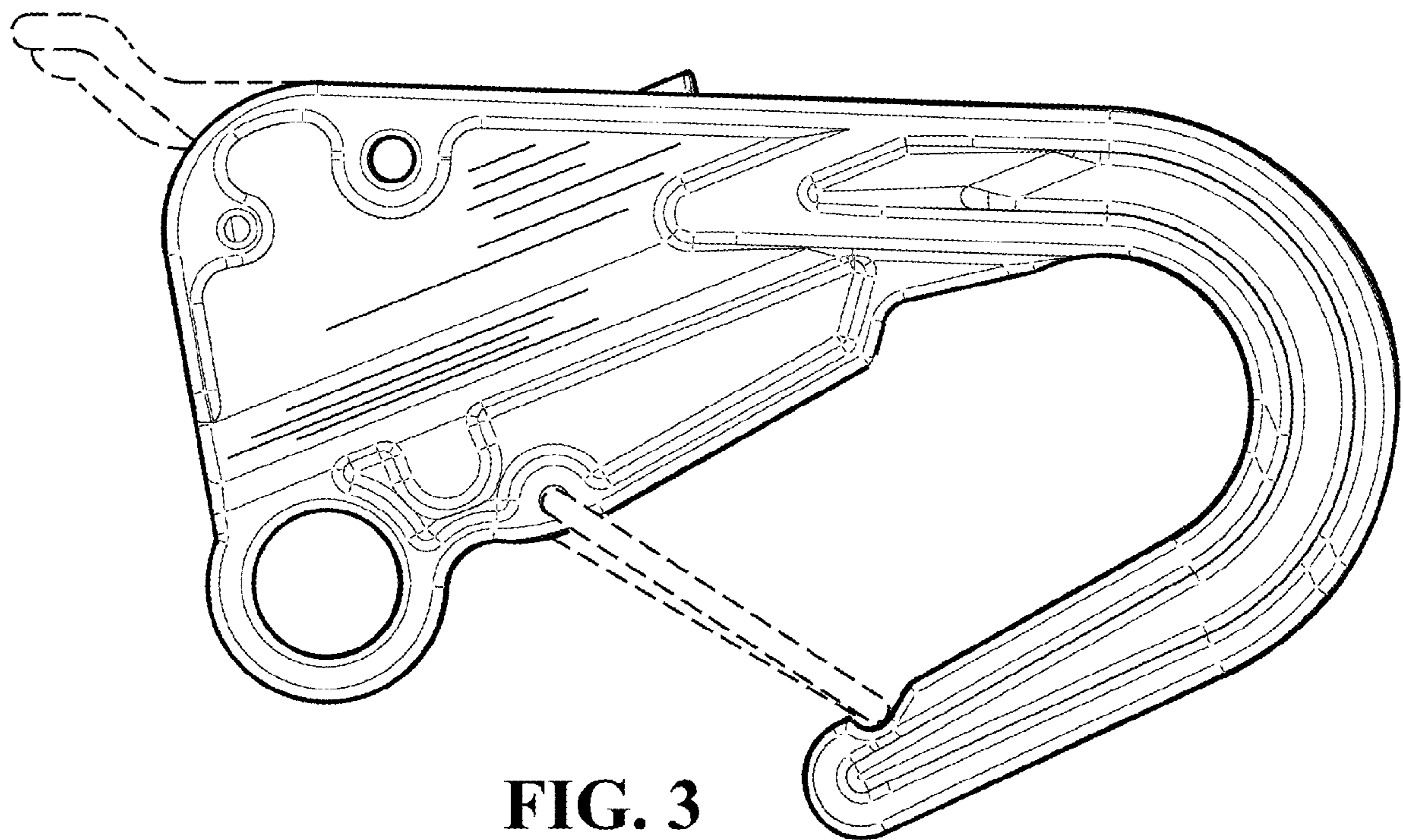
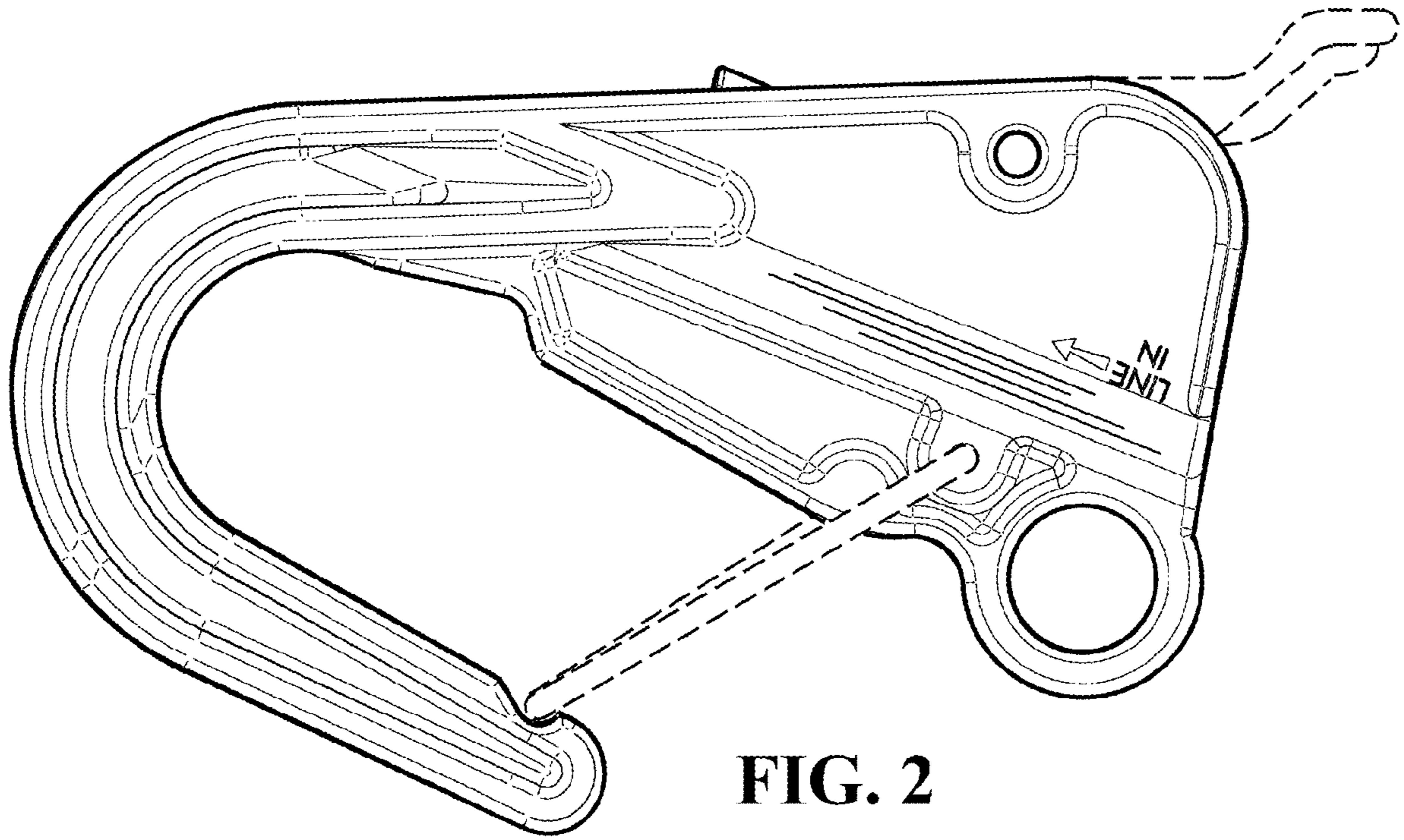


FIG. 1



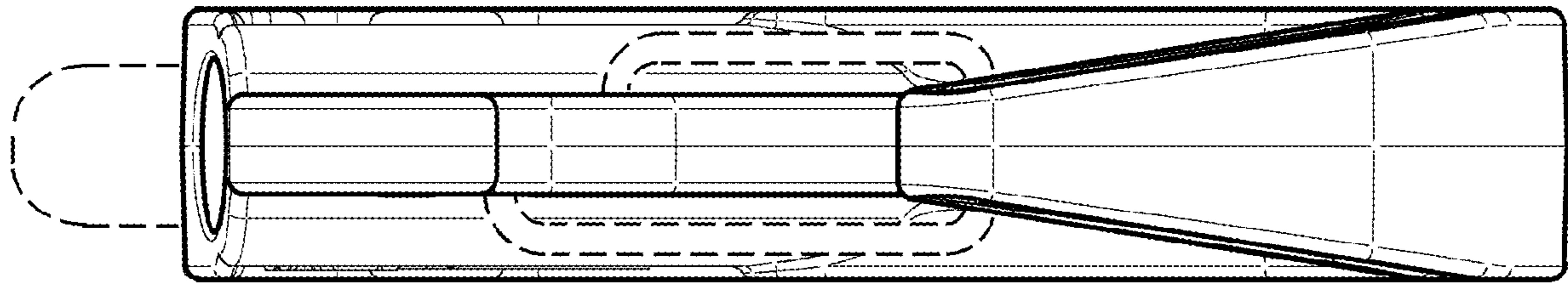


FIG. 4

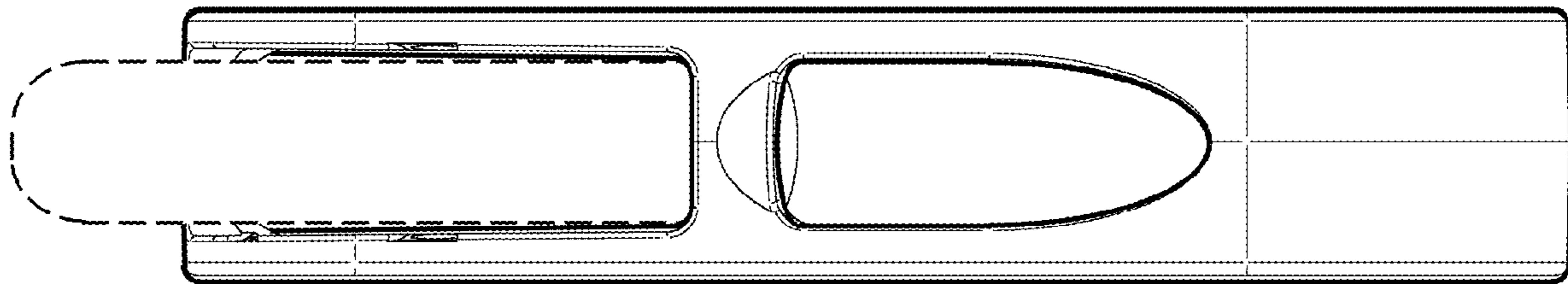


FIG. 5

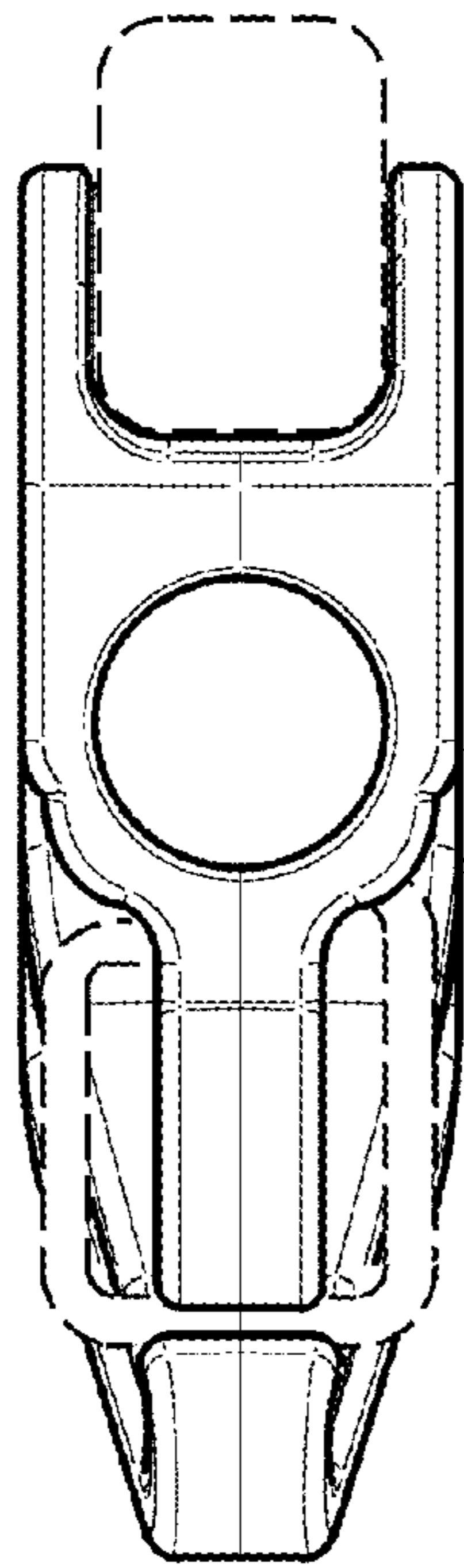


FIG. 6

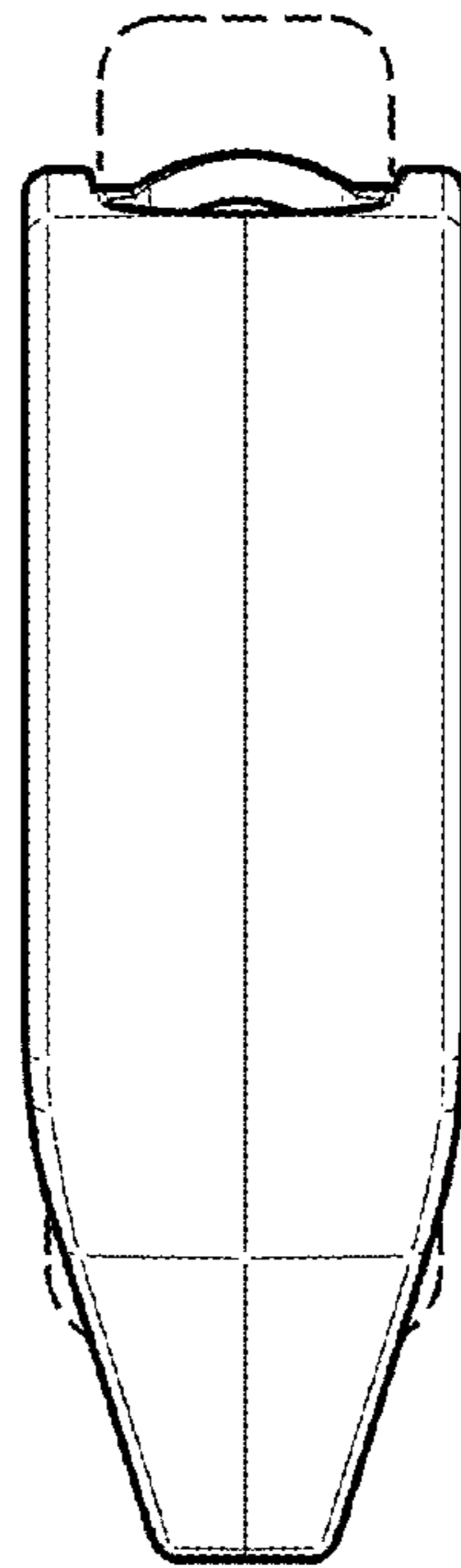


FIG. 7

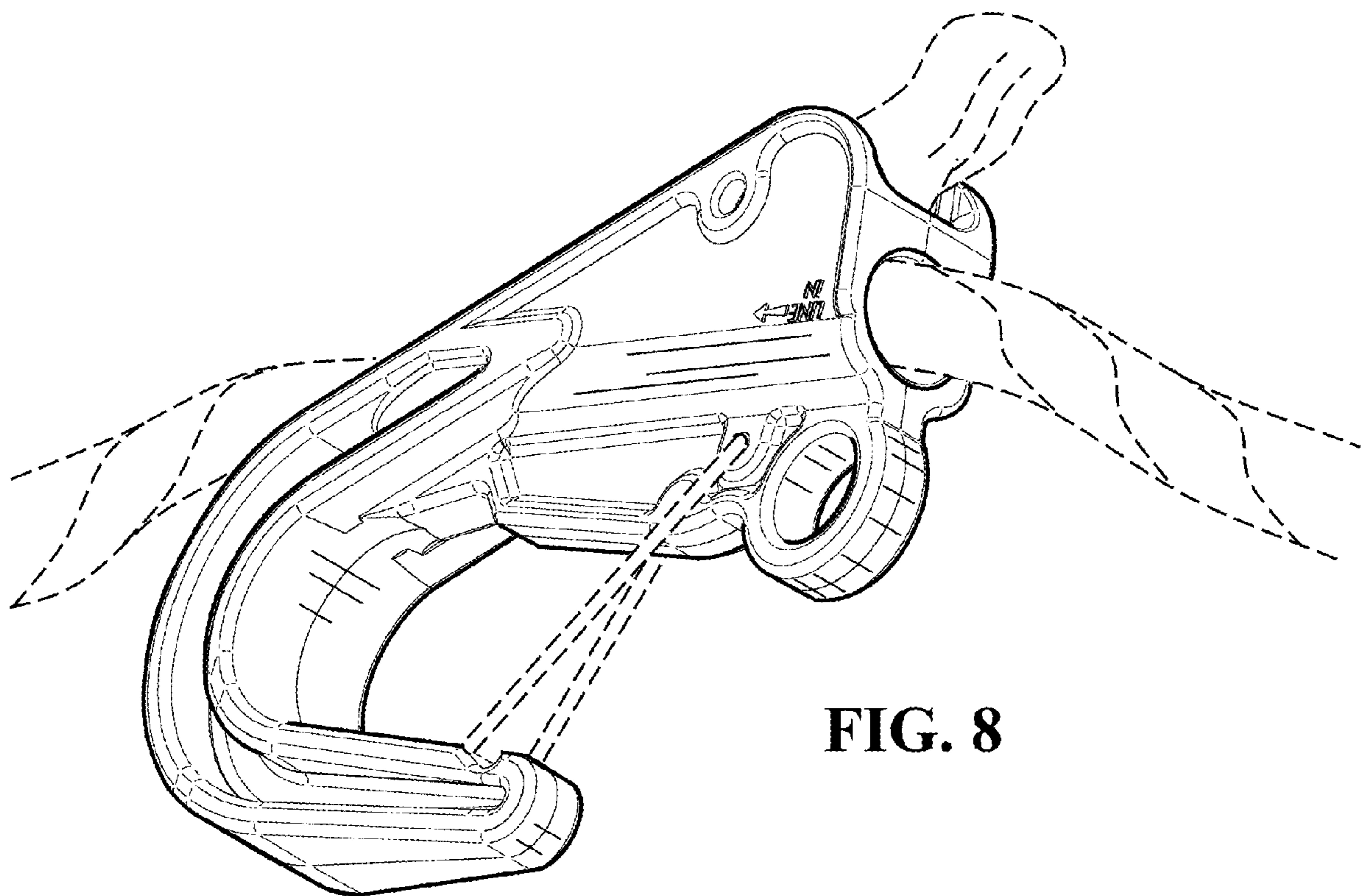


FIG. 8

