



US00D933462S

(12) **United States Design Patent**
Zunzunegui

(10) **Patent No.:** **US D933,462 S**

(45) **Date of Patent:** **** Oct. 19, 2021**

(54) **HOOK**

(71) Applicant: **Zeedog S.A.**, Rio de Janeiro (BR)

(72) Inventor: **Pedro Zunzunegui**, Madrid (ES)

(73) Assignee: **Zeedog S.A.**, Rio do Janeiro (BR)

(**) Term: **15 Years**

(21) Appl. No.: **29/716,013**

(22) Filed: **Dec. 5, 2019**

(51) **LOC (13) Cl.** **08-05**

(52) **U.S. Cl.**
USPC **D8/367**; D8/356

(58) **Field of Classification Search**
USPC D8/356, 354, 105, 349, 367; D3/207
CPC B65H 57/16; B63B 21/045; A63B 29/08;
A63B 27/02

See application file for complete search history.

(56) **References Cited**

U.S. PATENT DOCUMENTS

D342,665 S *	12/1993	Rekuc	D8/367
D348,385 S *	7/1994	Krauss	D8/367
D355,585 S *	2/1995	Terada	D8/367
D391,694 S *	3/1998	Eichhorn	119/784
D391,840 S *	3/1998	Striebel	D8/367
D394,202 S *	5/1998	Anscher	D8/367
D402,189 S *	12/1998	Izumi	D8/382
D491,049 S *	6/2004	Kung	D8/367
D579,763 S *	11/2008	Uehara	D8/367
D583,654 S *	12/2008	Uehara	D8/367
D649,024 S *	11/2011	Takazakura	D8/367
D665,655 S *	8/2012	Ishii	D8/367
D675,806 S *	2/2013	Caul	D2/500
D730,159 S *	5/2015	Grimm	D8/356
D730,722 S *	6/2015	Grimm	D8/356
D738,196 S *	9/2015	Petzl	D8/356
D740,645 S *	10/2015	Koreishi	D8/367

D765,497 S *	9/2016	Petzl	D8/356
D785,316 S *	5/2017	Grossman	D3/208
D819,429 S *	6/2018	Newing	D8/356
D821,090 S *	6/2018	Case	D3/207
10,060,466 B2 *	8/2018	Kaneko	F16B 45/02
D827,418 S *	9/2018	Austin	D8/356
D837,635 S *	1/2019	Petzl	D8/356
D843,814 S *	3/2019	Gariano	D8/356
D852,609 S *	7/2019	LeBeau	D8/356
D854,401 S *	7/2019	Adelman	D8/356
D856,118 S *	8/2019	Adelman	D8/356
D878,910 S *	3/2020	O'Neill	D8/367
D882,378 S *	4/2020	Graykowski	D8/356
D892,600 S *	8/2020	Schmitz	D8/367
D892,601 S *	8/2020	Schmitz	D8/367
D894,718 S *	9/2020	Kramer	D8/356
D902,009 S *	11/2020	Yang	D8/336
2006/0179784 A1 *	8/2006	Chen	F16B 21/00 52/698
2013/0219673 A1 *	8/2013	Perner	F16B 45/02 24/375
2014/0110956 A1 *	4/2014	Lin	B66C 1/36 294/82.2

(Continued)

Primary Examiner — Cynthia R Underwood

(74) *Attorney, Agent, or Firm* — Jason Jones

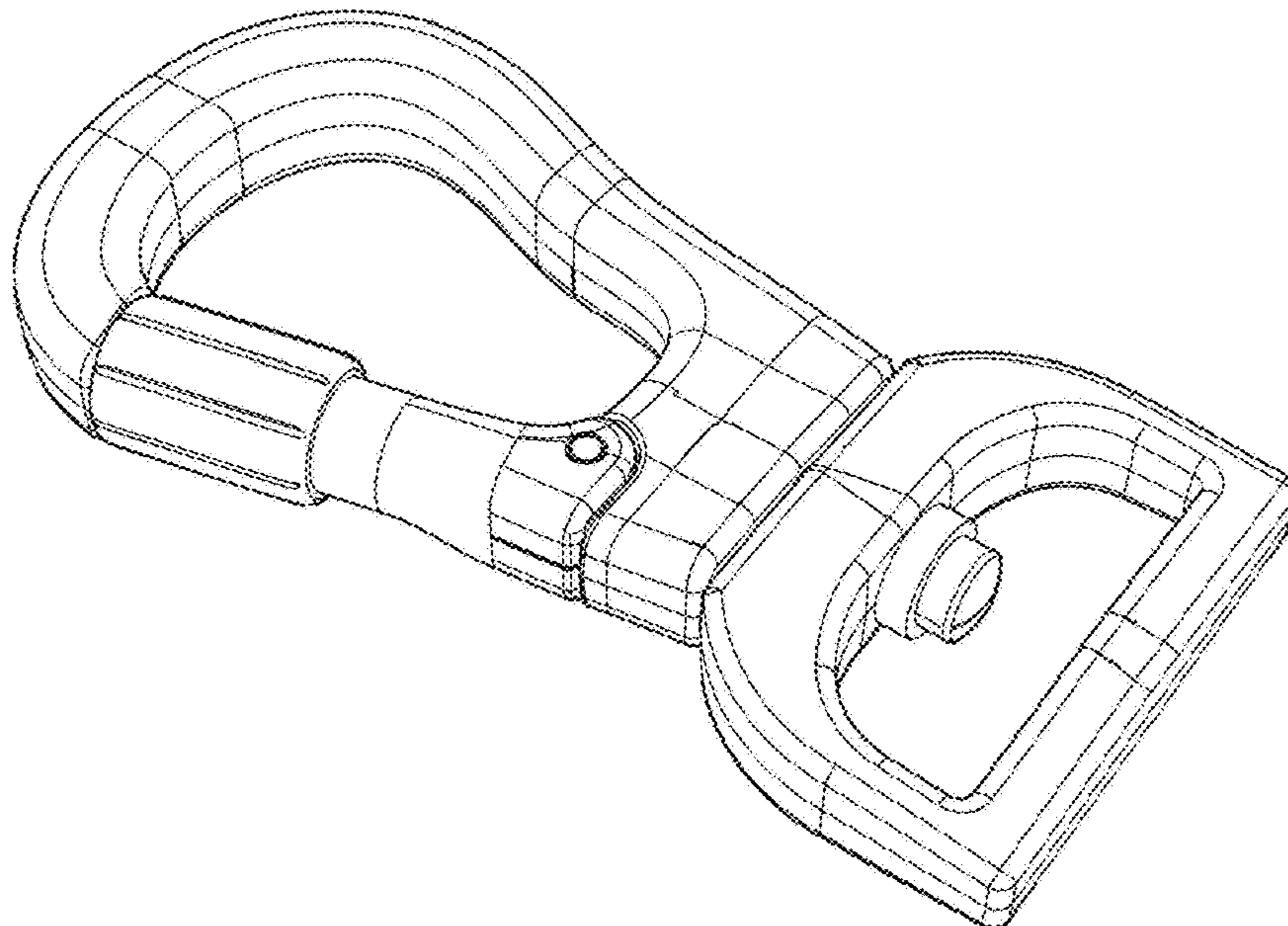
(57) **CLAIM**

The ornamental design for a hook, as shown and described.

DESCRIPTION

FIG. 1 is a perspective view a hook in accordance with my invention;
FIG. 2 is a front view of the hook, an opposing rear view being a mirror image thereof;
FIG. 3 is a bottom view of the hook;
FIG. 4 is a top view of the hook;
FIG. 5 is a side view of the hook; and,
FIG. 6 is an opposing side view of the hook.

1 Claim, 3 Drawing Sheets



(56)

References Cited

U.S. PATENT DOCUMENTS

2014/0245576 A1* 9/2014 Perner F16B 45/02
24/600.1
2015/0231423 A1* 8/2015 Perner A62B 35/0075
24/505
2016/0361578 A1* 12/2016 Casebolt A62B 35/0037
2016/0376129 A1* 12/2016 Hendrix F16B 45/02
294/82.2

* cited by examiner

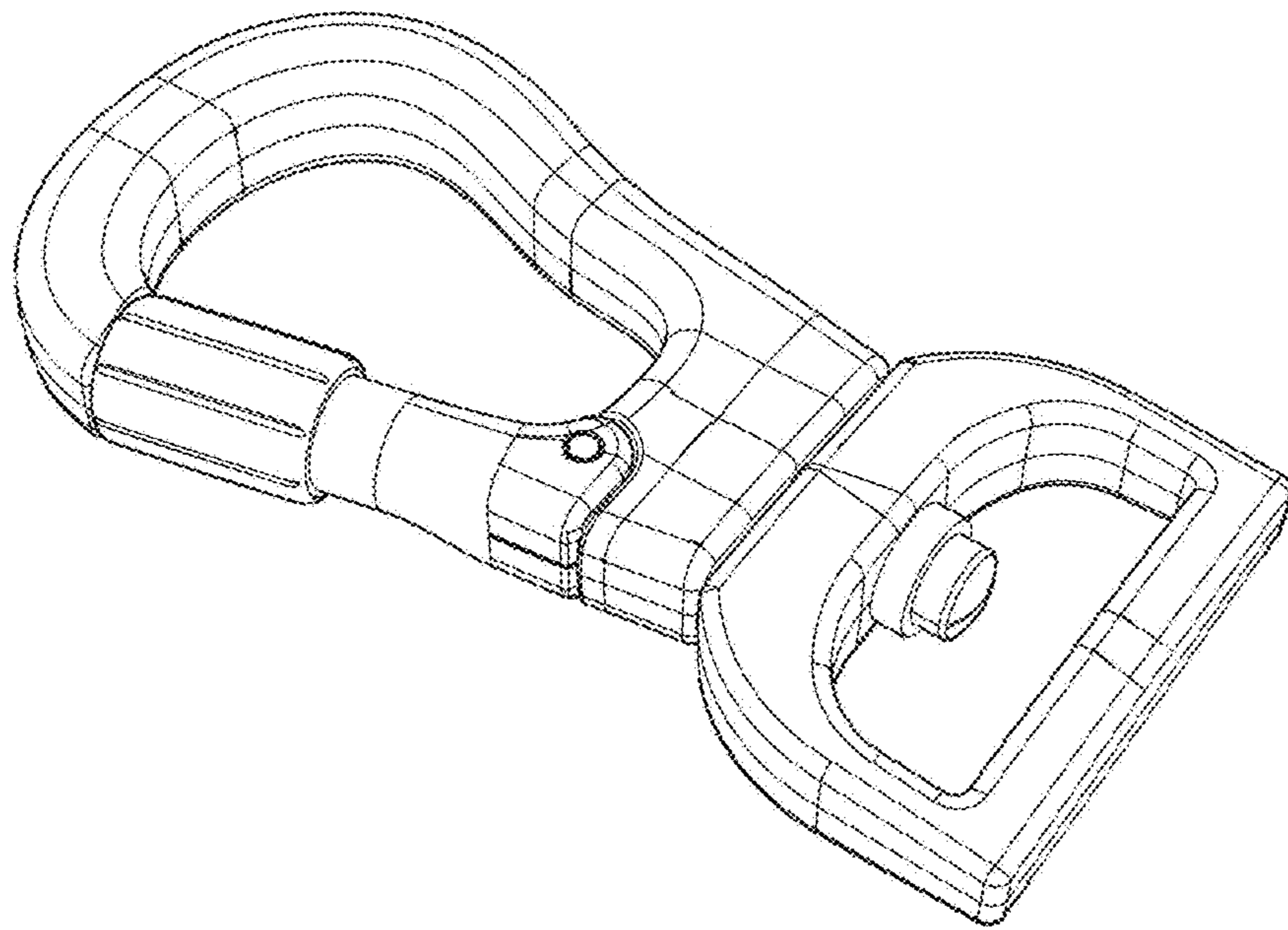


FIG. 1

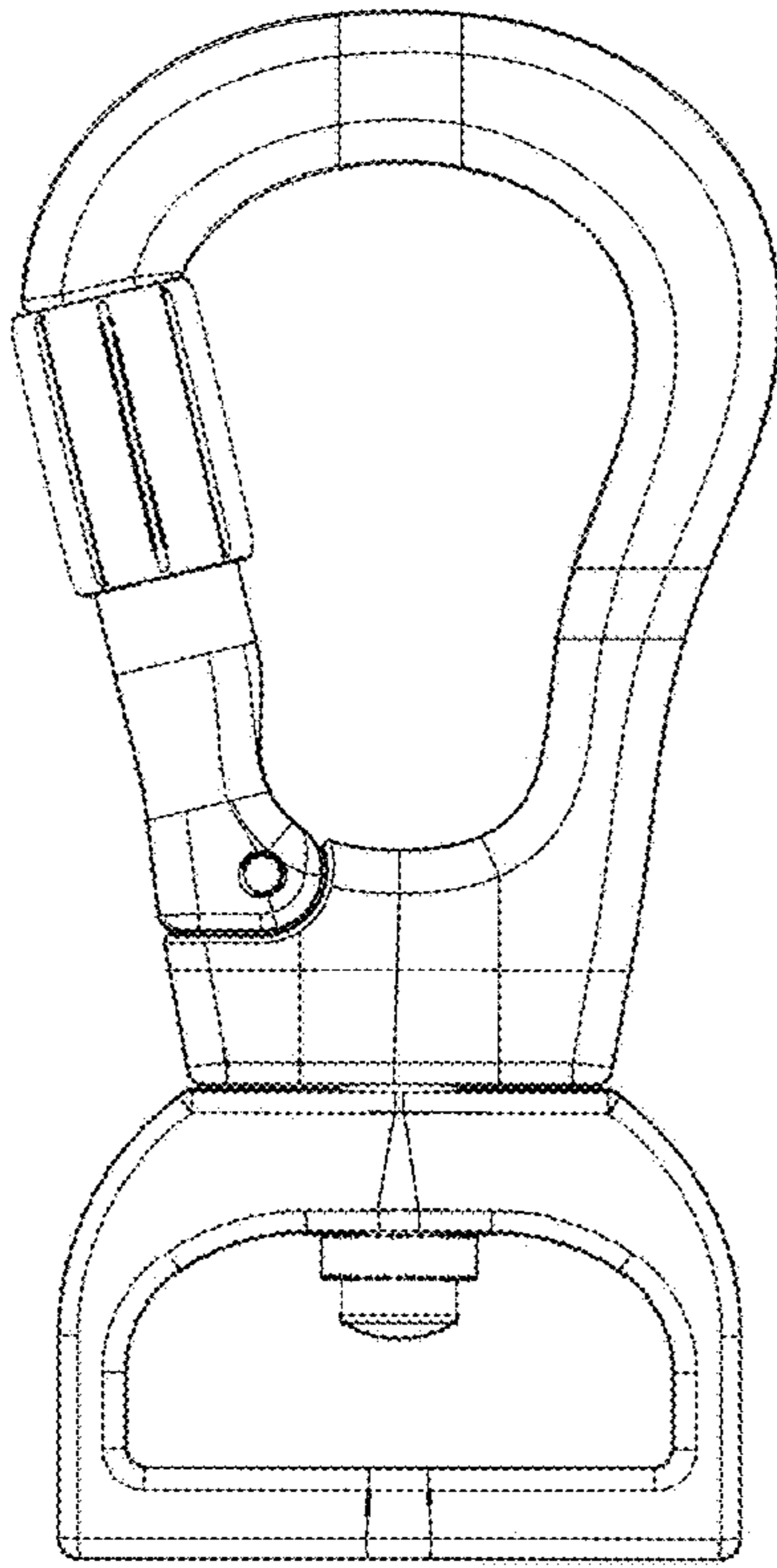


FIG. 2

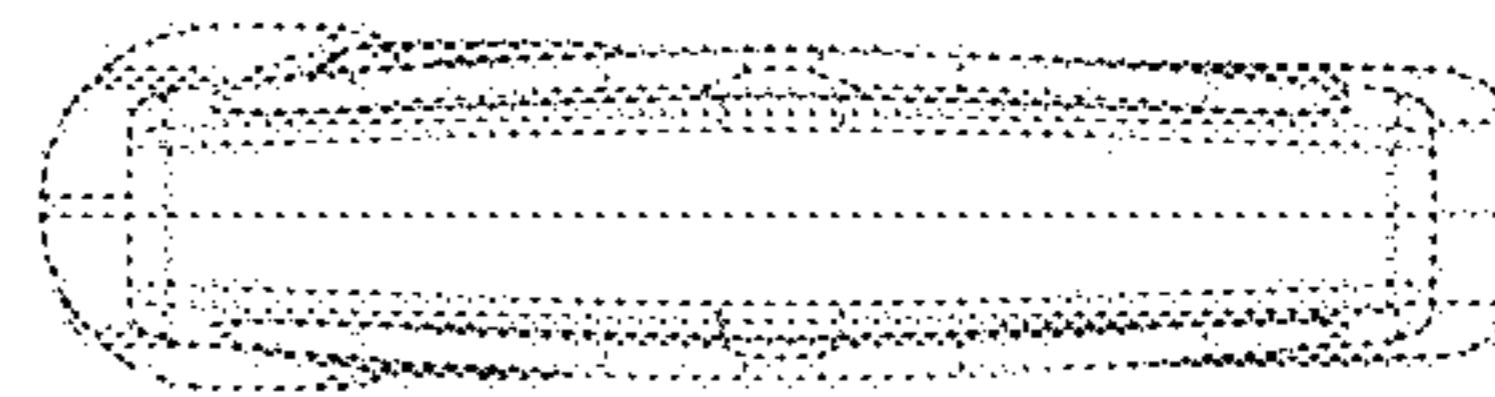


FIG. 3

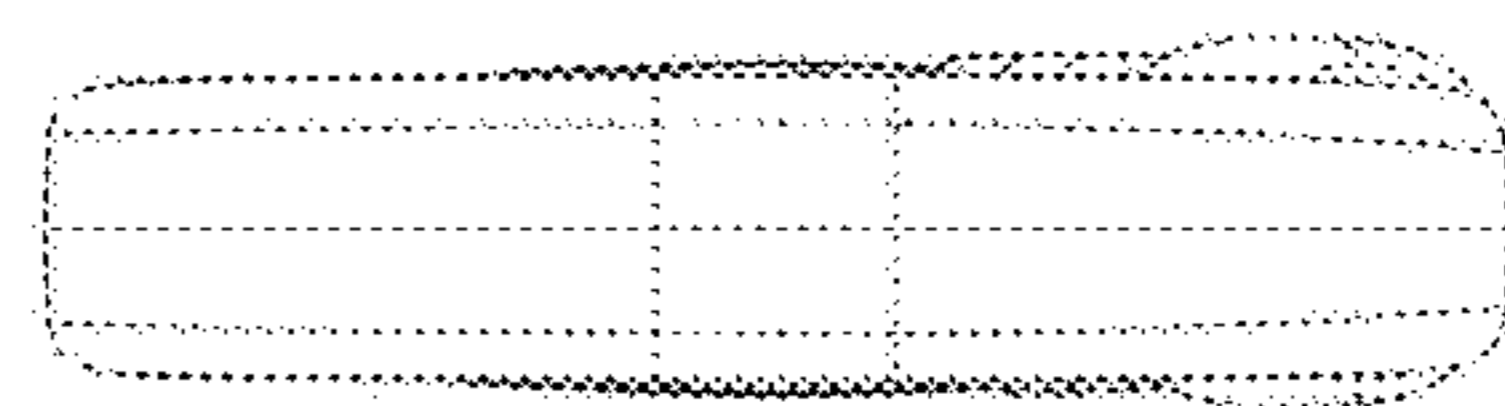


FIG. 4

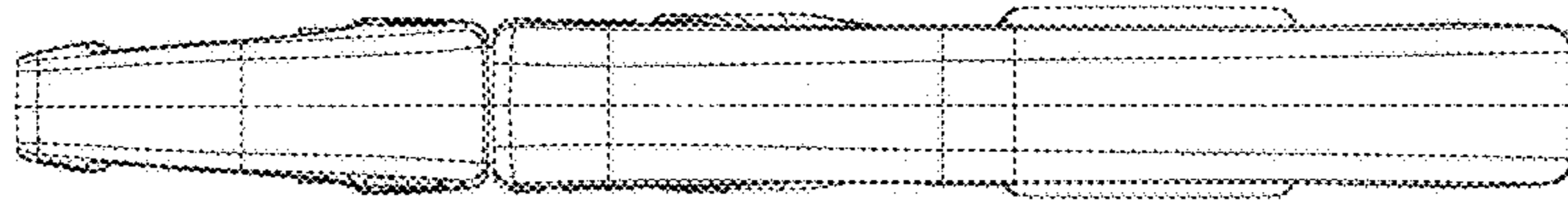


FIG. 5

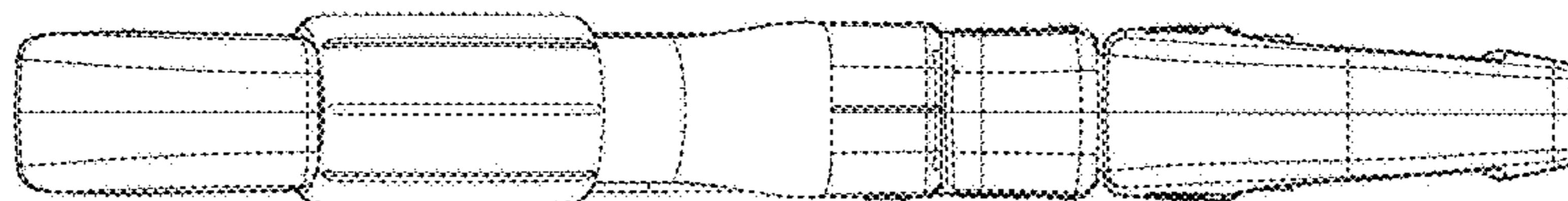


FIG. 6